

*ECCN 5E002 TSPA - Technology / Software Publicly Available.*

# CC430 Family

# User's Guide



Literature Number: SLAU259  
May 2009

*ECCN 5E002 TSPA - Technology / Software Publicly Available.*

<b>Preface</b> .....	<b>19</b>
<b>1 System Resets, Interrupts, and Operating Modes, System Control Module (SYS)</b> .....	<b>21</b>
1.1 System Control Module (SYS) Introduction .....	22
1.2 System Reset and Initialization.....	22
1.2.1 Device Initial Conditions After System Reset.....	24
1.3 Interrupts .....	24
1.3.1 (Non)Maskable Interrupts (NMIs) .....	25
1.3.2 SNMI Timing .....	25
1.3.3 Maskable Interrupts .....	27
Interrupt Processing.....	27
1.3.5 Interrupt Vectors .....	28
1.3.6 SYS Interrupt Vector Generators.....	29
1.3.7 Interrupt Nesting.....	30
1.4 Operating Modes .....	31
1.4.1 Entering and Exiting Low-Power Modes LPM0 Through LPM4.....	34
1.4.2 Entering and Exiting Low-Power Mode LPM5.....	34
1.4.3 Extended Time in Low-Power Modes .....	35
1.5 Principles for Low-Power Applications .....	36
1.6 Connection of Unused Pins .....	36
1.7 Boot Code .....	36
1.8 Bootstrap Loader (BSL) .....	36
1.9 Memory Map – Uses and Abilities .....	37
1.9.1 Vacant Memory Space .....	37
1.9.2 JTAG Lock Mechanism via the Electronic Fuse .....	37
10-2 JTAG Mailbox (JMB) System .....	38
1.10.1 JMB Configuration .....	38
1.10.2 JMBOUT0 and JMBOUT1 Outgoing Mailbox.....	38
1.10.3 JMBIN0 and JMBIN1 Incoming Mailbox.....	38
1.10.4 JMB NMI Usage .....	38
1.11 Device Descriptor Table .....	39
1.11.1 Identifying Device Type.....	39
1.11.2 TLV Descriptors .....	40
1.11.3 Peripheral discovery descriptor.....	40
1.12 Special Function Registers (SFRs) .....	44
1.13 SYS Configuration Registers .....	48
<b>2 Watchdog Timer (WDT_A)</b> .....	<b>57</b>
2.1 WDT_A Introduction .....	58
2.2 WDT_A Operation.....	60
2.2.1 Watchdog Timer Counter (WDCNT) .....	60
2.2.2 Watchdog Mode .....	60
2.2.3 Interval Timer Mode.....	60

2.2.4	Watchdog Timer Interrupts .....	60
2.2.5	Clock Fail-Safe Feature .....	61
2.2.6	Operation in Low-Power Modes .....	61
2.2.7	Software Examples .....	61
2.3	WDT_A Registers .....	62
<b>3</b>	<b>Unified Clock System (UCS) .....</b>	<b>65</b>
3.1	Unified Clock System (UCS) Introduction .....	66
3.2	UCS Operation .....	68
3.2.1	UCS Module Features for Low-Power Applications .....	68
3.2.2	Internal Very-Low-Power Low-Frequency Oscillator (VLO).....	68
3.2.3	Internal Trimmed Low-Frequency Reference Oscillator (REFO).....	69
3.2.4	XT1 Oscillator .....	69
3.2.5	RF XT2 Oscillator .....	70
3.2.6	Digitally-Controlled Oscillator (DCO) .....	70
3.2.7	Frequency Locked Loop (FLL) .....	70
3.2.8	DCO Modulator .....	71
3.2.9	Disabling FLL Hardware and Modulator.....	72
3.2.10	FLL Operation From Low-Power Modes .....	72
3.2.11	Operation From Low-Power Modes, Requested by Peripheral Modules .....	72
3.2.12	UCS Module Fail-Safe Operation .....	73
3.2.13	Synchronization of Clock Signals .....	76
3.3	Module Oscillator (MODOSC) .....	77
3.3.1	MODOSC Operation .....	77
3.4	UCS Module Registers .....	78
<b>4</b>	<b>Power Management Module and Supply Voltage Supervisor .....</b>	<b>87</b>
4.1	Power Management Module (PMM) Introduction .....	88
4.2	PMM Operation .....	90
4.2.1	V <sub>CORE</sub> and the Regulator .....	90
4.2.2	Supply Voltage Supervisor and Monitor .....	90
4.2.3	Supply Voltage Supervisor and Monitor - Power-Up .....	94
4.2.4	Increasing V <sub>CORE</sub> to Support Higher MCLK Frequencies .....	94
4.2.5	Decreasing V <sub>CORE</sub> for Power Optimization .....	96
4.2.6	LPM5 .....	96
4.2.7	Voltage Reference .....	96
4.2.8	Brownout Reset (BOR) .....	96
4.2.9	SVS/SVM Performance Modes (Normal or Full-Performance).....	97
4.2.10	PMM Interrupts .....	97
4.2.11	Port I/O Control .....	97
4.2.12	Supply Voltage Monitor Output (SVMOUT, Optional) .....	97
4.3	PMM Registers .....	98
<b>5</b>	<b>CPUX .....</b>	<b>105</b>
5.1	MSP430X CPU (CPUX) Introduction.....	106
5.2	Interrupts .....	108
5.3	CPU Registers .....	109
5.3.1	Program Counter (PC) .....	109
5.3.2	Stack Pointer (SP) .....	109
5.3.3	Status Register (SR) .....	111
5.3.4	Constant Generator Registers (CG1 and CG2) .....	112

5.3.5	General-Purpose Registers (R4 –R15) .....	113
5.4	Addressing Modes .....	115
5.4.1	Register Mode .....	116
5.4.2	Indexed Mode .....	117
5.4.3	Symbolic Mode .....	121
5.4.4	Absolute Mode .....	126
5.4.5	Indirect Register Mode .....	128
5.4.6	Indirect Autoincrement Mode .....	129
5.4.7	Immediate Mode .....	130
5.5	MSP430 and MSP430X Instructions .....	133
5.5.1	MSP430 Instructions .....	133
5.5.2	MSP430X Extended Instructions .....	138
5.6	Instruction Set Description .....	149
5.6.1	Extended Instruction Binary Descriptions .....	150
5.6.2	MSP430 Instructions .....	152
5.6.3	Extended Instructions .....	203
5.6.4	Address Instructions .....	244
<b>6</b>	<b>Flash Memory Controller .....</b>	<b>259</b>
6.1	Flash Memory Introduction .....	260
6.2	Flash Memory Segmentation .....	261
6.2.1	Segment A .....	262
6.3	Flash Memory Operation .....	263
6.3.1	Erasing Flash Memory .....	263
6.3.2	Writing Flash Memory .....	267
6.3.3	Flash Memory Access During Write or Erase .....	274
6.3.4	Checking Flash memory .....	275
6.3.5	Configuring and Accessing the Flash Memory Controller .....	275
6.3.6	Flash Memory Controller Interrupts .....	275
6.3.7	Programming Flash Memory Devices .....	275
6.4	Flash Memory Registers .....	277
<b>7</b>	<b>RAM Controller .....</b>	<b>281</b>
7.1	Ram Controller (RAMCTL) Introduction .....	282
7.2	RAMCTL Operation .....	282
7.3	RAMCTL Module Registers .....	283
<b>8</b>	<b>Digital I/O .....</b>	<b>285</b>
8.1	Digital I/O Introduction .....	286
8.2	Digital I/O Operation .....	287
8.2.1	Input Registers PxIN .....	287
8.2.2	Output Registers PxOUT .....	287
8.2.3	Direction Registers PxDIR .....	287
8.2.4	Pullup/Pulldown Resistor Enable Registers PxREN .....	287
8.2.5	Output Drive Strength Registers PxDS .....	288
8.2.6	Function Select Registers PxSEL .....	288
8.2.7	P1 and P2 Interrupts .....	288
8.2.8	Configuring Unused Port Pins .....	290
8.3	Digital I/O Registers .....	291
<b>9</b>	<b>Port Mapping Controller .....</b>	<b>297</b>

9.1	Port Mapping Controller Introduction .....	298
9.2	Port Mapping Controller Operation .....	298
9.2.1	Access .....	298
9.2.2	Mapping .....	298
9.2.3	Software Example .....	300
9.3	Port Mapping Controller Registers .....	302
<b>10</b>	<b>DMA Controller .....</b>	<b>305</b>
10.1	Direct Memory Access (DMA) Introduction .....	306
10.2	DMA Operation .....	308
10.2.1	DMA Addressing Modes .....	308
10.2.2	DMA Transfer Modes .....	308
10.2.3	Initiating DMA Transfers .....	314
10.2.4	Stopping DMA Transfers .....	315
10.2.5	DMA Channel Priorities .....	315
10.2.6	DMA Transfer Cycle Time .....	316
10.2.7	Using DMA With System Interrupts .....	316
10.2.8	DMA Controller Interrupts .....	316
10.2.9	Using the USCI_B I <sup>2</sup> C Module With the DMA Controller .....	318
10.2.10	Using ADC12 With the DMA Controller .....	318
10.2.11	Using DAC12 With the DMA Controller .....	318
10.3	DMA Registers .....	319
<b>11</b>	<b>32-Bit Hardware Multiplier (MPY32) .....</b>	<b>329</b>
11.1	32-Bit Hardware Multiplier (MPY32) Introduction .....	330
11.2	MPY32 Operation .....	332
11.2.1	Operand Registers .....	333
11.2.2	Result Registers .....	335
11.2.3	Software Examples .....	335
11.2.4	Fractional Numbers .....	336
11.2.5	Putting It All Together .....	341
11.2.6	Indirect Addressing of Result Registers .....	343
11.2.7	Using Interrupts .....	343
11.2.8	Using DMA .....	344
11.3	MPY32 Registers .....	345
<b>12</b>	<b>CRC Module .....</b>	<b>349</b>
12.1	Cyclic Redundancy Check (CRC) Module Introduction .....	350
12.2	CRC Checksum Generation .....	351
12.2.1	CRC Implementation .....	351
12.2.2	Assembler Examples .....	352
12.3	CRC Module Registers .....	354
<b>13</b>	<b>AES Accelerator .....</b>	<b>357</b>
13.1	AES Accelerator Introduction .....	358
13.2	AES Accelerator Operation .....	359
13.2.1	Encryption .....	360
13.2.2	Decryption .....	361
13.2.3	Decryption Key Generation .....	362
13.2.4	Using the AES Accelerator With Low-Power Modes .....	363
13.2.5	AES Accelerator Interrupts .....	363

13.2.6	Implementing Block Cipher Modes .....	363
13.3	AES Accelerator Registers .....	364
<b>14</b>	<b>Timer_A .....</b>	<b>369</b>
14.1	Timer_A Introduction .....	370
14.2	Timer_A Operation .....	371
14.2.1	16-Bit Timer Counter .....	371
14.2.2	Starting the Timer.....	372
14.2.3	Timer Mode Control .....	372
14.2.4	Capture/Compare Blocks .....	376
14.2.5	Output Unit .....	377
14.2.6	Timer_A Interrupts.....	382
14.3	Timer_A Registers .....	384
<b>15</b>	<b>Real-Time Clock (RTC_A) .....</b>	<b>389</b>
15.1	RTC_A Introduction.....	390
15.2	RTC_A Operation.....	392
15.2.1	Counter Mode .....	392
15.2.2	Calendar Mode.....	392
15.2.3	Real-Time Clock Interrupts .....	394
15.2.4	Real-Time Clock Calibration .....	396
15.3	Real-Time Clock Registers .....	397
<b>16</b>	<b>Universal Serial Communication Interface – UART Mode .....</b>	<b>409</b>
16.1	Universal Serial Communication Interface (USCI) Overview .....	410
16.2	USCI Introduction – UART Mode .....	411
16.3	USCI Operation – UART Mode .....	413
16.3.1	USCI Initialization and Reset.....	413
16.3.2	Character Format .....	413
16.3.3	Asynchronous Communication Format .....	413
16.3.4	Automatic Baud-Rate Detection .....	416
16.3.5	IrDA Encoding and Decoding .....	417
16.3.6	Automatic Error Detection .....	418
16.3.7	USCI Receive Enable .....	419
16.3.8	USCI Transmit Enable .....	419
16.3.9	UART Baud-Rate Generation .....	420
16.3.10	Setting a Baud Rate .....	422
16.3.11	Transmit Bit Timing .....	422
16.3.12	Receive Bit Timing .....	423
16.3.13	Typical Baud Rates and Errors.....	424
16.3.14	Using the USCI Module in UART Mode With Low-Power Modes .....	427
16.3.15	USCI Interrupts .....	427
16.4	USCI Registers – UART Mode.....	429
<b>17</b>	<b>Universal Serial Communication Interface – SPI Mode .....</b>	<b>437</b>
17.1	Universal Serial Communication Interface (USCI) Overview .....	438
17.2	USCI Introduction – SPI Mode .....	439
17.3	USCI Operation – SPI Mode .....	441
17.3.1	USCI Initialization and Reset.....	441
17.3.2	Character Format .....	441
17.3.3	Master Mode .....	442

17.3.4	Slave Mode .....	443
17.3.5	SPI Enable.....	443
17.3.6	Serial Clock Control .....	444
17.3.7	Using the SPI Mode With Low-Power Modes.....	444
17.3.8	SPI Interrupts.....	445
17.4	USCI Registers – SPI Mode.....	446
<b>18</b>	<b>Universal Serial Communication Interface – I<sup>2</sup>C Mode .....</b>	<b>451</b>
18.1	Universal Serial Communication Interface (USCI) Overview .....	452
18.2	USCI Introduction – I <sup>2</sup> C Mode.....	453
18.3	USCI Operation – I <sup>2</sup> C Mode.....	454
18.3.1	USCI Initialization and Reset.....	455
18.3.2	I <sup>2</sup> C Serial Data .....	455
18.3.3	I <sup>2</sup> C Addressing Modes .....	457
18.3.4	I <sup>2</sup> C Module Operating Modes .....	458
18.3.5	I <sup>2</sup> C Clock Generation and Synchronization .....	469
18.3.6	Using the USCI Module in I <sup>2</sup> C Mode With Low-Power Modes .....	470
18.3.7	USCI Interrupts in I <sup>2</sup> C Mode.....	470
18.4	USCI Registers– I <sup>2</sup> C Mode .....	473
<b>19</b>	<b>CC1101-Based Radio Module (RF1A) .....</b>	<b>481</b>
19.1	Radio Module Introduction.....	482
19.2	Radio Interface Operation .....	483
19.2.1	Radio Interface .....	483
19.2.2	Radio Interface Interrupts.....	489
19.2.3	Radio Core Interrupts .....	489
19.2.4	Radio Interrupt Handling.....	490
19.2.5	Using Radio With the DMA Controller .....	492
19.3	CC1101-Based Radio Core .....	493
19.3.1	Differences From CC1101.....	493
19.3.2	Instruction Set for CC1101-Based Radio Core .....	494
19.3.3	Data Rate Programming .....	497
19.3.4	Receiver Channel Filter Bandwidth .....	498
19.3.5	Demodulator, Symbol Synchronizer, and Data Decision .....	498
19.3.6	Packet Handling Hardware Support.....	500
19.3.7	Modulation Formats .....	505
19.3.8	Received Signal Qualifiers and Link Quality Information.....	506
19.3.9	Radio Control.....	511
19.3.10	Data FIFO .....	514
19.3.11	Frequency Programming .....	516
19.3.12	VCO .....	517
19.3.13	Output Power Programming .....	517
19.3.14	Shaping and PA Ramping .....	517
19.3.15	Asynchronous and Synchronous Serial Operation .....	518
19.3.16	System Considerations and Guidelines .....	519
19.3.17	Radio Core Registers.....	522
19.4	Radio Interface Registers.....	545
<b>20</b>	<b>REF .....</b>	<b>553</b>
20.1	REF Introduction .....	553
20.2	Principle of Operation .....	555



20.2.1	Low-Power Operation .....	555
20.2.2	REFCTL.....	555
20.2.3	Reference System Requests.....	556
20.3	REF Registers.....	559
<b>21</b>	<b>Comparator_B .....</b>	<b>561</b>
21.1	Comparator_B Introduction.....	562
21.2	Comparator_B Operation .....	563
21.2.1	Comparator .....	563
21.2.2	Analog Input Switches .....	563
21.2.3	Port Logic .....	563
21.2.4	Input Short Switch .....	564
21.2.5	Output Filter .....	564
21.2.6	Reference Voltage Generator.....	565
21.2.7	Comparator_B, Port Disable Register CBPD .....	566
21.2.8	Comparator_B Interrupts .....	566
21.2.9	Comparator_B Used to Measure Resistive Elements .....	566
21.3	Comparator_B Registers.....	568
<b>22</b>	<b>ADC12_A .....</b>	<b>573</b>
22.1	ADC12_A Introduction .....	574
22.2	ADC12_A Operation.....	576
22.2.1	12-Bit ADC Core .....	576
22.2.2	ADC12_A Inputs and Multiplexer .....	576
22.2.3	Voltage Reference Generator .....	577
22.2.4	Auto Power Down .....	577
22.2.5	Sample and Conversion Timing .....	578
22.2.6	Conversion Memory .....	580
22.2.7	ADC12_A Conversion Modes.....	580
22.2.8	Using the Integrated Temperature Sensor .....	586
22.2.9	ADC12_A Grounding and Noise Considerations .....	587
22.2.10	ADC12_A Interrupts .....	588
22.3	ADC12_A Registers .....	590
<b>23</b>	<b>LCD_B Controller .....</b>	<b>601</b>
23.1	LCD_B Controller Introduction .....	602
23.2	LCD_B Controller Operation .....	604
23.2.1	LCD Memory .....	604
23.2.2	LCD Timing Generation.....	604
23.2.3	Blanking the LCD .....	605
23.2.4	LCD Blinking.....	605
23.2.5	LCD_B Voltage And Bias Generation.....	606
23.2.6	LCD Outputs.....	608
23.2.7	LCD_B Interrupts .....	609
23.2.8	Static Mode .....	611
23.2.9	2-Mux Mode .....	614
23.2.10	3-Mux Mode.....	617
23.2.11	4-Mux Mode.....	620
23.3	LCD Controller Registers .....	623
<b>24</b>	<b>Embedded Emulation Module (EEM) .....</b>	<b>635</b>

---

24.1	Embedded Emulation Module (EEM) Introduction .....	636
24.2	EEM Building Blocks .....	638
24.2.1	Triggers .....	638
24.2.2	Trigger Sequencer .....	638
24.2.3	State Storage (Internal Trace Buffer) .....	638
24.2.4	Cycle Counter .....	638
24.2.5	Clock Control .....	639
24.3	EEM Configurations .....	640

## List of Figures

1-1	BOR/POR/PUC Reset Circuit.....	23
1-2	Interrupt Priority.....	24
1-3	NMIs With Reentrance Protection.....	26
1-4	Interrupt Processing.....	27
1-5	Return From Interrupt.....	28
1-6	Operation Modes .....	32
1-7	Devices Descriptor Table.....	39
2-1	Watchdog Timer Block Diagram.....	59
3-1	UCS Block Diagram.....	67
3-2	Modulator Patterns .....	71
3-3	Module Request Clock System.....	73
3-4	Oscillator Fault Logic .....	75
3-5	Switch MCLK from DCOCLK to XT1CLK .....	76
4-1	System Frequency and Supply/Core Voltages .....	88
4-2	PMM Block Diagram .....	89
4-3	High-Side and Low-Side Voltage Failure and Resulting PMM Actions .....	91
4-4	High-Side SVS and SVM.....	92
4-5	Low-Side SVS and SVM .....	93
4-6	PMM Action at Device Power-Up .....	94
4-7	Changing $V_{CORE}$ and $SVM_L$ and $SVS_L$ Levels .....	95
5-1	MSP430X CPU Block Diagram .....	107
5-2	PC Storage on the Stack for Interrupts .....	108
5-3	Program Counter.....	109
5-4	PC Storage on the Stack for CALLA .....	109
5-5	Stack Pointer .....	110
5-6	Stack Usage .....	110
5-7	PUSHX.A Format on the Stack .....	110
5-8	PUSH SP, POP SP Sequence.....	110
5-9	SR Bits .....	111
5-10	Register-Byte/Byte-Register Operation .....	113
5-11	Register-Word Operation .....	113
5-12	Word-Register Operation .....	114
5-13	Register – Address-Word Operation .....	114
5-14	Address-Word – Register Operation .....	115
5-15	Indexed Mode in Lower 64 KB.....	117
5-16	Indexed Mode in Upper Memory .....	118
5-17	Overflow and Underflow for Indexed Mode .....	119
5-18	Example for Indexed Mode .....	120
5-19	Symbolic Mode Running in Lower 64 KB.....	122
5-20	Symbolic Mode Running in Upper Memory .....	123
5-21	Overflow and Underflow for Symbolic Mode .....	124
5-22	MSP430 Double-Operand Instruction Format.....	133
5-23	MSP430 Single-Operand Instructions.....	134
5-24	Format of Conditional Jump Instructions .....	135
5-25	Extension Word for Register Modes .....	138
5-26	Extension Word for Non-Register Modes.....	138
5-27	Example for Extended Register/Register Instruction.....	139
5-28	Example for Extended Immediate/Indexed Instruction.....	140
5-29	Extended Format I Instruction Formats .....	141
5-30	20-Bit Addresses in Memory .....	141
5-31	Extended Format II Instruction Format.....	142
5-32	PUSHM/POPM Instruction Format .....	143

5-33	RRCM, RRAM, RRUM, and RLAM Instruction Format .....	143
5-34	BRA Instruction Format .....	143
5-35	CALLA Instruction Format .....	143
5-36	Decrement Overlap .....	168
5-37	Stack After a RET Instruction .....	187
5-38	Destination Operand—Arithmetic Shift Left .....	189
5-39	Destination Operand—Carry Left Shift.....	190
5-40	Rotate Right Arithmetically RRA.B and RRA.W .....	191
5-41	Rotate Right Through Carry RRC.B and RRC.W .....	192
5-42	Swap Bytes in Memory.....	199
5-43	Swap Bytes in a Register .....	199
5-44	Rotate Left Arithmetically—RLAM[.W] and RLAM.A .....	226
5-45	Destination Operand-Arithmetic Shift Left .....	227
5-46	Destination Operand-Carry Left Shift .....	228
5-47	Rotate Right Arithmetically RRAM[.W] and RRAM.A .....	229
5-48	Rotate Right Arithmetically RRAX(.B,.A) – Register Mode.....	231
5-49	Rotate Right Arithmetically RRAX(.B,.A) – Non-Register Mode .....	231
5-50	Rotate Right Through Carry RRCM[.W] and RRCM.A .....	232
5-51	Rotate Right Through Carry RRCX(.B,.A) – Register Mode .....	234
5-52	Rotate Right Through Carry RRCX(.B,.A) – Non-Register Mode .....	234
5-53	Rotate Right Unsigned RRUM[.W] and RRUM.A.....	235
5-54	Rotate Right Unsigned RRUX(.B,.A) – Register Mode .....	236
5-55	Swap Bytes SWPBX.A Register Mode .....	240
5-56	Swap Bytes SWPBX.A In Memory .....	240
5-57	Swap Bytes SWPBX[.W] Register Mode .....	241
5-58	Swap Bytes SWPBX[.W] In Memory .....	241
5-59	Sign Extend SXTX.A .....	242
5-60	Sign Extend SXTX[.W] .....	242
6-1	Flash Memory Module Block Diagram .....	260
6-2	256-KB Flash Memory Segments Example .....	261
6-3	Erase Cycle Timing.....	264
6-4	Erase Cycle From Flash .....	265
6-5	Erase Cycle From RAM.....	266
6-6	Byte/Word/Long-Word Write Timing.....	267
6-7	Initiating a Byte/Word Write From Flash .....	268
6-8	Initiating a Byte/Word Write From RAM .....	269
6-9	Initiating Long-Word Write From Flash .....	270
6-10	Initiating Long-Word Write from RAM .....	271
6-11	Block-Write Cycle Timing .....	272
6-12	Block Write Flow .....	273
6-13	User-Developed Programming Solution .....	276
10-1	DMA Controller Block Diagram .....	307
10-2	DMA Addressing Modes .....	308
10-3	DMA Single Transfer State Diagram .....	310
10-4	DMA Block Transfer State Diagram .....	311
10-5	DMA Burst-Block Transfer State Diagram.....	313
11-1	MPY32 Block Diagram .....	331
11-2	Q15 Format Representation.....	336
11-3	Q14 Format Representation.....	337
11-4	Saturation Flow Chart .....	339
11-5	Multiplication Flow Chart.....	341
12-1	LFSR Implementation of CRC-CCITT Standard, Bit 0 is the MSB of the Result.....	350
12-2	Implementation of CRC-CCITT using the CRCDI and CRCINIRES registers .....	352

13-1	AES Accelerator Block Diagram .....	358
13-2	AES State Array Input and Output .....	359
13-3	AES-128 Encryption Process .....	360
13-4	AES-128 Decryption Process using AESOPx = 01 .....	361
13-5	AES-128 Decryption Process using AESOPx = 10 and 11 .....	362
14-1	Timer_A Block Diagram.....	371
14-2	Up Mode .....	373
14-3	Up Mode Flag Setting .....	373
14-4	Continuous Mode .....	373
14-5	Continuous Mode Flag Setting.....	373
14-6	Continuous Mode Time Intervals .....	374
14-7	Up/Down Mode.....	374
14-8	Up/Down Mode Flag Setting .....	375
14-9	Output Unit in Up/Down Mode .....	375
14-10	Capture Signal (SCS = 1).....	376
14-11	Capture Cycle .....	377
14-12	Output Example – Timer in Up Mode .....	379
14-13	Output Example – Timer in Continuous Mode .....	380
14-14	Output Example – Timer in Up/Down Mode .....	381
14-15	Capture/Compare TAxCCR0 Interrupt Flag .....	382
15-1	RTC_A .....	391
16-1	USCI_Ax Block Diagram – UART Mode (UCSYNC = 0) .....	412
16-2	Character Format .....	413
16-3	Idle-Line Format.....	414
16-4	Address-Bit Multiprocessor Format.....	415
16-5	Auto Baud-Rate Detection – Break/Synch Sequence .....	416
16-6	Auto Baud-Rate Detection – Synch Field.....	416
16-7	UART vs IrDA Data Format .....	417
16-8	Glitch Suppression, USCI Receive Not Started .....	419
16-9	Glitch Suppression, USCI Activated.....	419
16-10	BITCLK Baud-Rate Timing With UCOS16 = 0 .....	420
16-11	Receive Error .....	423
17-1	USCI Block Diagram – SPI Mode .....	440
17-2	USCI Master and External Slave .....	442
17-3	USCI Slave and External Master .....	443
17-4	USCI SPI Timing With UCMSB = 1 .....	444
18-1	USCI Block Diagram – I <sup>2</sup> C Mode .....	454
18-2	I <sup>2</sup> C Bus Connection Diagram.....	455
18-3	I <sup>2</sup> C Module Data Transfer.....	456
18-4	Bit Transfer on I <sup>2</sup> C Bus .....	456
18-5	I <sup>2</sup> C Module 7-Bit Addressing Format .....	457
18-6	I <sup>2</sup> C Module 10-Bit Addressing Format .....	457
18-7	I <sup>2</sup> C Module Addressing Format With Repeated START Condition.....	457
18-8	I <sup>2</sup> C Time-Line Legend .....	458
18-9	I <sup>2</sup> C Slave Transmitter Mode .....	459
18-10	I <sup>2</sup> C Slave Receiver Mode .....	461
18-11	I <sup>2</sup> C Slave 10-Bit Addressing Mode .....	462
18-12	I <sup>2</sup> C Master Transmitter Mode.....	464
18-13	I <sup>2</sup> C Master Receiver Mode.....	466
18-14	I <sup>2</sup> C Master 10-Bit Addressing Mode.....	467
18-15	Arbitration Procedure Between Two Master Transmitters.....	468
18-16	Synchronization of Two I <sup>2</sup> C Clock Generators During Arbitration .....	469
19-1	Simplified Block Diagram of the CC1101-Based Radio Module.....	482

19-2	Radio Interface Overview .....	483
19-3	Logical Channels Between Radio Interface and Radio Core .....	484
19-4	Data Whitening in TX Mode .....	501
19-5	Packet Format .....	501
19-6	Packet Length Greater Than 255 .....	503
19-7	Typical RSSI Value vs Input Power Level for Different Data Rates at 433 MHz .....	508
19-8	Typical RSSI Value vs Input Power Level for Different Data Rates at 868 MHz .....	508
19-9	Complete Radio-Control State Diagram .....	511
19-10	Event 0 and Event 1 Relationship .....	513
19-11	FIFO_THR = 13 vs Number of Bytes in FIFO (GDOx_CFG = 0x00 in RX and GDOx_CFG = 0x02 in TX)..	515
19-12	Example of FIFOs at Threshold .....	516
19-13	PA_POWER and PATABLE .....	518
19-14	Shaping of ASK Signal .....	518
19-15	Block Diagram of CC1101-based Radio With External Power Amplifier .....	521
20-1	REF Block Diagram .....	554
21-1	Comparator_B Block Diagram .....	562
21-2	Comparator_B Sample-And-Hold .....	564
21-3	RC-Filter Response at the Output of the Comparator .....	565
21-4	Reference Generator Block Diagram .....	565
21-5	Transfer Characteristic and Power Dissipation in a CMOS Inverter/Buffer .....	566
21-6	Temperature Measurement System .....	566
21-7	Timing for Temperature Measurement Systems .....	567
22-1	ADC12_A Block Diagram .....	575
22-2	Analog Multiplexer .....	576
22-3	Extended Sample Mode .....	578
22-4	Pulse Sample Mode .....	579
22-5	Analog Input Equivalent Circuit .....	579
22-6	Single-Channel Single-Conversion Mode .....	581
22-7	Sequence-of-Channels Mode .....	582
22-8	Repeat-Single-Channel Mode .....	583
22-9	Repeat-Sequence-of-Channels Mode .....	584
22-10	Typical Temperature Sensor Transfer Function .....	586
22-11	ADC12_A Grounding and Noise Considerations .....	587
23-1	LCD_B Controller Block Diagram .....	603
23-2	LCD Memory - Example for 160 Segments Maximum .....	604
23-3	Bias Generation .....	607
23-4	Example Static Waveforms .....	611
23-5	Static LCD Example (MAB addresses need to be replaced with LCDMx) .....	612
23-6	Example 2-Mux Waveforms .....	614
23-7	2-Mux LCD Example (MAB addresses need to be replaced with LCDMx) .....	615
23-8	Example 3-Mux Waveforms .....	617
23-9	3-Mux LCD Example (MAB addresses need to be replaced with LCDMx) .....	618
23-10	Example 4-Mux Waveforms .....	620
23-11	4-Mux LCD Example (MAB addresses need to be replaced with LCDMx) .....	621
24-1	Large Implementation of EEM .....	637

## List of Tables

1-1	Interrupt Sources, Flags, and Vectors .....	28
1-2	Connection of Unused Pins .....	36
1-3	Tag Values .....	40
1-4	Peripheral Discovery Descriptor .....	40
1-5	Values for Memory Entry .....	41
1-6	Values for Peripheral Entry .....	42
1-7	Peripheral IDs.....	42
1-8	Sample Peripheral Discovery Descriptor .....	43
1-9	SFR Base Address.....	44
1-10	Special Function Registers.....	44
1-14	SYS Base Address.....	48
1-15	SYS Configuration Registers .....	48
2-1	Watchdog Timer Registers.....	62
3-1	Unified Clock System Registers .....	78
4-1	SVS/SVM Thresholds.....	90
4-2	PMM Voltage Reference per Operational Mode .....	96
4-3	SVS/SVM Performance Control Modes -- Manual .....	97
4-4	SVS/SVM Performance Control Modes -- Automatic.....	97
4-5	PMM Registers .....	98
5-1	SR Bit Description .....	111
5-2	Values of Constant Generators CG1, CG2.....	112
5-3	Source/Destination Addressing .....	115
5-4	MSP430 Double-Operand Instructions.....	134
5-5	MSP430 Single-Operand Instructions.....	134
5-6	Conditional Jump Instructions .....	135
5-7	Emulated Instructions .....	135
5-8	Interrupt, Return, and Reset Cycles and Length .....	136
5-9	MSP430 Format II Instruction Cycles and Length.....	136
5-10	MSP430 Format I Instructions Cycles and Length .....	137
5-11	Description of the Extension Word Bits for Register Mode.....	138
5-12	Description of Extension Word Bits for Non-Register Modes .....	139
5-13	Extended Double-Operand Instructions.....	140
5-14	Extended Single-Operand Instructions.....	142
5-15	Extended Emulated Instructions .....	144
5-16	Address Instructions, Operate on 20-Bit Register Data .....	145
5-17	MSP430X Format II Instruction Cycles and Length .....	146
5-18	MSP430X Format I Instruction Cycles and Length.....	147
5-19	Address Instruction Cycles and Length .....	148
5-20	Instruction Map of MSP430X.....	149
6-1	Erase Modes .....	263
6-2	Write Modes .....	267
6-3	Flash Access While Flash is Dusy (BUSY = 1).....	274
6-4	Flash Controller Registers .....	277
7-1	RAMCTL Module Register.....	283
8-1	I/O Configuration .....	287
8-2	Digital I/O Registers .....	291
9-1	Examples for Port Mapping Mnemonics and Functions .....	299
9-2	Port Mapping Control Registers .....	302
9-3	Port Mapping Registers for Port Px – Byte Access .....	302

9-4	Port Mapping Registers for Port Px – Word Access .....	302
10-1	DMA Transfer Modes.....	309
10-2	DMA Trigger Operation .....	315
10-3	Maximum Single-Transfer DMA Cycle Time .....	316
10-4	DMA Registers .....	319
11-1	Result Availability (MPYFRAC = 0, MPYSAT = 0) .....	332
11-2	OP1 Registers.....	334
11-3	OP2 Registers.....	334
11-4	SUMEXT and MPYC Contents.....	335
11-5	Result Availability in Fractional Mode (MPYFRAC = 1, MPYSAT = 0) .....	337
11-6	Result Availability in Saturation Mode (MPYSAT = 1) .....	338
11-7	MPY32 Registers .....	345
11-8	Alternative Registers .....	347
12-1	CRC Module Registers.....	354
13-1	AES Accelerator Registers .....	364
14-1	Timer Modes .....	372
14-2	Output Modes .....	378
14-3	Timer_A Registers .....	384
15-1	Real-Time Clock Registers .....	397
16-1	Receive Error Conditions .....	418
16-2	BITCLK Modulation Pattern .....	420
16-3	BITCLK16 Modulation Pattern .....	421
16-4	Commonly Used Baud Rates, Settings, and Errors, UCOS16 = 0 .....	424
16-5	Commonly Used Baud Rates, Settings, and Errors, UCOS16 = 1 .....	426
16-6	USCI_Ax Registers .....	429
17-1	UCxSTE Operation .....	441
17-2	USCI_Ax Registers .....	446
17-3	USCI_Bx Registers .....	446
18-1	I <sup>2</sup> C State Change Interrupt Flags .....	471
18-2	USCI_Bx Registers .....	473
19-1	One-Byte Auto-Read Registers .....	487
19-2	Two-Byte/One-Word Auto-Read Registers .....	487
19-3	Radio Interface Error Conditions.....	488
19-4	Radio Interface Interrupt Flags.....	489
19-5	CC1101 Radio Core Interrupt Mapping.....	490
19-6	CC1101-Based Radio Core Instruction Set – Command Strokes.....	495
19-7	CC1101-Based Radio Core Instruction Set .....	496
19-8	Radio Core Status Byte Summary.....	497
19-9	Data Rate Step Size.....	498
19-10	Channel Filter Bandwidths (kHz) (Assuming a 26-MHz Crystal) .....	498
19-11	Received Packet Status Byte 1 (First Byte Appended After Data).....	500
19-12	Received Packet Status Byte 2 (Second Byte Appended After Data) .....	500
19-13	Symbol Encoding for 2-FSK/2-GFSK Modulation .....	505
19-14	Sync Word Qualifier Mode.....	506
19-15	Typical RSSI_offset Values .....	507
19-16	Typical RSSI Value in dBm at CS Threshold With Default MAGN_TARGET at 2.4 kBaud, 868 MHz .....	509
19-17	Typical RSSI Value in dBm at CS Threshold With Default MAGN_TARGET at 250 kBaud, 868 MHz .....	510
19-18	State Transition Timing .....	514
19-19	FIFO_THR Settings and the Corresponding FIFO Thresholds .....	515
19-20	Configuration Registers .....	523
19-21	Status Registers .....	524



---

19-22	GDOx Signal Selection (x = 0, 1, or 2).....	525
19-23	Radio Module Registers .....	545
20-1	REF Control of Reference System (REFMSTR = 1) (Default).....	556
20-2	Table 2. ADC Control of Reference System (REFMSTR = 0).....	556
20-3	REF Registers.....	559
21-1	Comparator_B Registers.....	568
22-1	ADC12_A Conversion Result Formats.....	580
22-2	Conversion Mode Summary.....	580
22-3	ADC12_A Registers .....	590
23-1	LCD Voltage and Biasing Characteristics .....	608
23-2	LCD_B Control Registers.....	623
23-3	LCD_B Memory Registers.....	624
23-4	LCD_B Blinking Memory Registers.....	625
24-1	5xx EEM Configurations .....	640





## Read This First

---

---

---

### About This Manual

This manual describes the modules and peripherals of the CC430 family of devices. Each description presents the module or peripheral in a general sense. Not all features and functions of all modules or peripherals may be present on all devices. In addition, modules or peripherals may differ in their exact implementation between device families, or may not be fully implemented on an individual device or device family.

Pin functions, internal signal connections, and operational parameters differ from device to device. The user should consult the device-specific data sheet for these details.

### Related Documentation From Texas Instruments

For related documentation see the web site <http://www.ti.com/msp430>.

### FCC Warning

This equipment is intended for use in a laboratory test environment only. It generates, uses, and can radiate radio frequency energy and has not been tested for compliance with the limits of computing devices pursuant to subpart J of part 15 of FCC rules, which are designed to provide reasonable protection against radio frequency interference. Operation of this equipment in other environments may cause interference with radio communications, in which case the user at his own expense will be required to take whatever measures may be required to correct this interference.

### Notational Conventions

Program examples, are shown in a special typeface.

### Glossary

---

ACLK	Auxiliary Clock
ADC	Analog-to-Digital Converter
BOR	Brown-Out Reset; see System Resets, Interrupts, and Operating Modes
BSL	Bootstrap Loader; see <a href="http://www.ti.com/msp430">www.ti.com/msp430</a> for application reports
CPU	Central Processing Unit See RISC 16-Bit CPU
DAC	Digital-to-Analog Converter
DCO	Digitally Controlled Oscillator; see FLL+ Module
dst	Destination; see RISC 16-Bit CPU
FLL	Frequency Locked Loop; see FLL+ Module
GIE Modes	General Interrupt Enable; see System Resets Interrupts and Operating
INT(N/2)	Integer portion of N/2
I/O	Input/Output; see Digital I/O
ISR	Interrupt Service Routine

---

---

LSB	Least-Significant Bit
LSD	Least-Significant Digit
LPM	Low-Power Mode; see System Resets Interrupts and Operating Modes; also named PM for Power Mode
MAB	Memory Address Bus
MCLK	Master Clock
MDB	Memory Data Bus
MSB	Most-Significant Bit
MSD	Most-Significant Digit
NMI	(Non)-Maskable Interrupt; see System Resets Interrupts and Operating Modes; also split to UNMI and SNMI
PC	Program Counter; see RISC 16-Bit CPU
PM	Power Mode See; system Resets Interrupts and Operating Modes
POR	Power-On Reset; see System Resets Interrupts and Operating Modes
PUC	Power-Up Clear; see System Resets Interrupts and Operating Modes
RAM	Random Access Memory
SCG	System Clock Generator; see System Resets Interrupts and Operating Modes
SFR	Special Function Register; see System Resets, Interrupts, and Operating Modes
SMCLK	Sub-System Master Clock
SNMI	System NMI; see System Resets, Interrupts, and Operating Modes
SP	Stack Pointer; see RISC 16-Bit CPU
SR	Status Register; see RISC 16-Bit CPU
src	Source; see RISC 16-Bit CPU
TOS	Top of stack; see RISC 16-Bit CPU
UNMI	User NMI; see System Resets, Interrupts, and Operating Modes
WDT	Watchdog Timer; see Watchdog Timer
z16	16 bit address space

---

## Register Bit Conventions

Each register is shown with a key indicating the accessibility of the each individual bit, and the initial condition:

### Register Bit Accessibility and Initial Condition

---

Key	Bit Accessibility
rw	Read/write
r	Read only
r0	Read as 0
r1	Read as 1
w	Write only
w0	Write as 0
w1	Write as 1
(w)	No register bit implemented; writing a 1 results in a pulse. The register bit is always read as 0.
h0	Cleared by hardware
h1	Set by hardware
-0,-1	Condition after PUC
-(0),-(1)	Condition after POR
-[0],[1]	Condition after BOR
-(0),-{1}	Condition after Brownout

---



## System Resets, Interrupts, and Operating Modes, System Control Module (SYS)

The system control module (SYS) is available on all devices. The following list shows the basic feature set of SYS.

- Brownout reset/power on reset (BOR/POR) handling
- Power up clear (PUC) handling
- (Non)maskable interrupt (SNMI/UNMI) event source selection and management
- Address decoding
- Providing an user data-exchange mechanism via the JTAG mailbox (JMB)
- Bootstrap loader (BSL) entry mechanism
- Configuration management (device descriptors)
- Providing interrupt vector generators for reset and NMIs
- Watchdog timer (WDT\_A)

Topic	Page
<b>1.1 System Control Module (SYS) Introduction .....</b>	<b>22</b>
<b>1.2 System Reset and Initialization .....</b>	<b>22</b>
<b>1.3 Interrupts .....</b>	<b>24</b>
<b>1.4 Operating Modes.....</b>	<b>31</b>
<b>1.5 Principles for Low-Power Applications .....</b>	<b>36</b>
<b>1.6 Connection of Unused Pins.....</b>	<b>36</b>
<b>1.7 Boot Code.....</b>	<b>36</b>
<b>1.8 Bootstrap Loader (BSL) .....</b>	<b>36</b>
<b>1.9 Memory Map – Uses and Abilities .....</b>	<b>37</b>
<b>1.11 Device Descriptor Table.....</b>	<b>39</b>
<b>1.12 Special Function Registers (SFRs) .....</b>	<b>44</b>
<b>1.13 SYS Configuration Registers .....</b>	<b>48</b>

## 1.1 System Control Module (SYS) Introduction

SYS is responsible for the interaction between various modules throughout the system. The functions that SYS provides for are not inherent to the modules themselves. Address decoding, bus arbitration, interrupt event consolidation, and reset generation are some examples of the many functions that SYS provides.

## 1.2 System Reset and Initialization

The system reset circuitry is shown in [Figure 1-1](#) and sources a brownout reset (BOR), a power on reset (POR), and a power up clear (PUC). Different events trigger these reset signals and different initial conditions exist depending on which signal was generated.

A BOR is a device reset. A BOR is only generated by the following events:

- Powering up the device
- A low signal on  $\overline{\text{RST}}/\text{NMI}$  pin when configured in the reset mode
- A wakeup event from LPM5 mode
- A software BOR event

A POR is always generated when a BOR is generated, but a BOR is not generated by a POR. The following events trigger a POR:

- A BOR signal
- A  $\text{SVS}_H$  and/or  $\text{SVS}_M$  low condition when enabled (see the PMM module for details)
- A  $\text{SVS}_L$  and/or  $\text{SVS}_L$  low condition when enabled (see the PMM module for details)
- A software POR event

A PUC is always generated when a POR is generated, but a POR is not generated by a PUC. The following events trigger a PUC:

- A POR signal
- Watchdog timer expiration when watchdog mode only (see the WDT\_A module for details)
- Watchdog timer security key violation (see the WDT\_A module for details)
- A Flash memory security key violation (see the Flash Memory Controller module for details)
- Power Management Module security key violation (see the PMM module for details)
- Fetch from peripheral area

---

**Note:** The number and type of resets available may vary from device to device. See the device-specific data sheet for all reset sources available.

---

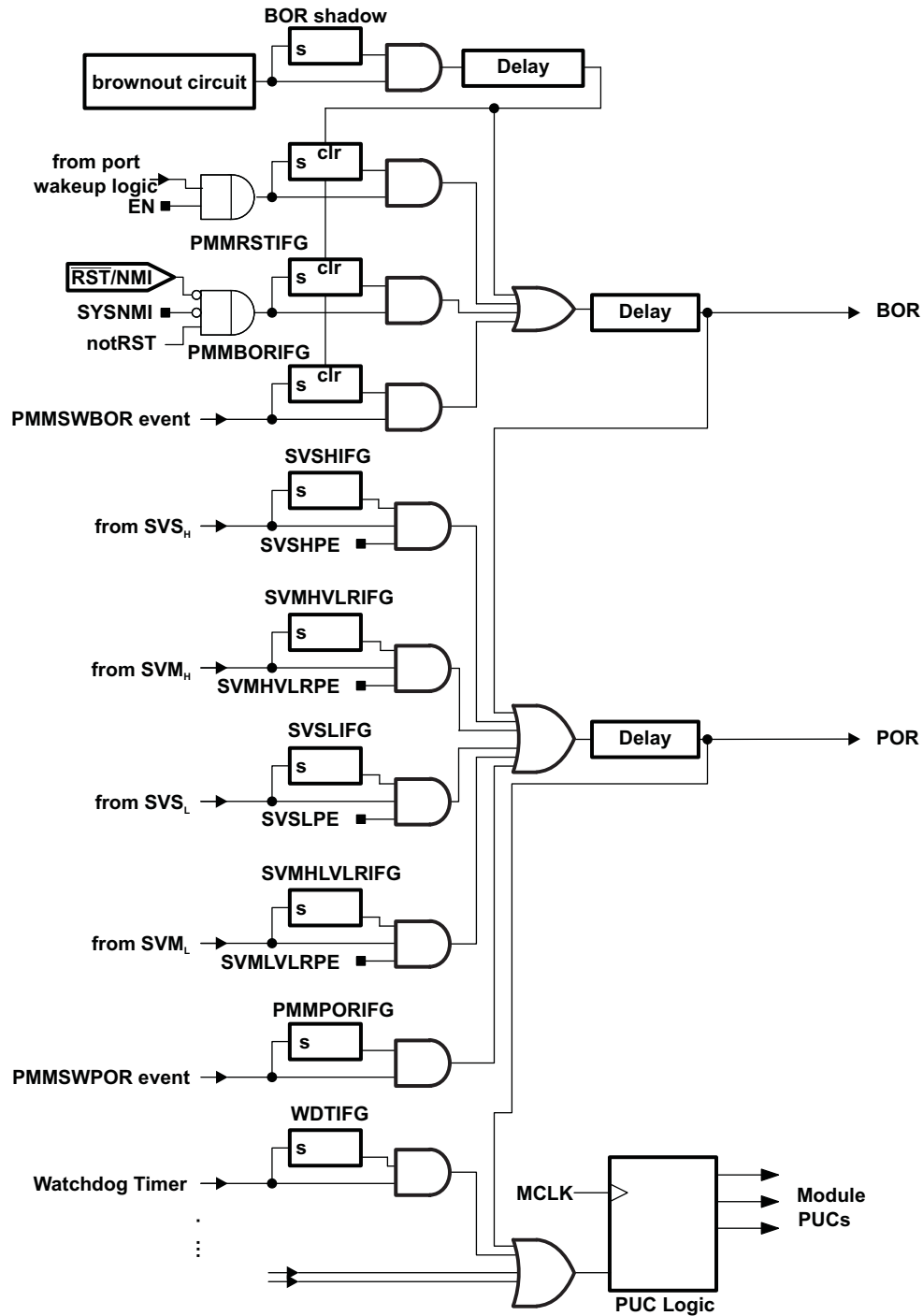


Figure 1-1. BOR/POR/PUC Reset Circuit

### 1.2.1 Device Initial Conditions After System Reset

After a BOR, the initial device conditions are:

- The  $\overline{\text{RST}}/\text{NMI}$  pin is configured in the reset mode.
- I/O pins are switched to input mode as described in the Digital I/O chapter.
- Other peripheral modules and registers are initialized as described in their respective chapters in this manual.
- Status register (SR) is reset.
- The watchdog timer powers up active in watchdog mode.
- Program counter (PC) is loaded with the boot code address and boot code execution begins at that address. See [Section 1.7](#) for more information regarding the boot code. Upon completion of the boot code, the PC is loaded with the address contained at the SYSRSTIV reset location (0FFFEh).

After a system reset, user software must initialize the device for the application requirements. The following must occur:

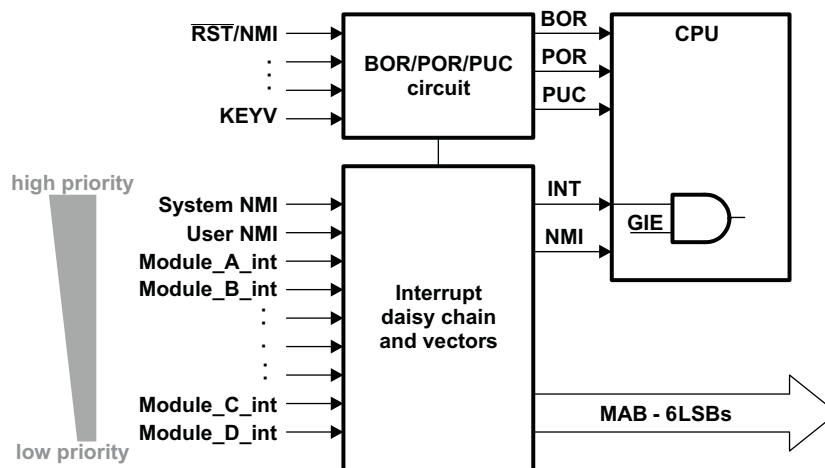
- Initialize the stack pointer (SP), typically to the top of RAM.
- Initialize the watchdog to the requirements of the application.
- Configure peripheral modules to the requirements of the application.

## 1.3 Interrupts

The interrupt priorities are fixed and defined by the arrangement of the modules in the connection chain as shown in [Figure 1-2](#). Interrupt priorities determine what interrupt is taken when more than one interrupt is pending simultaneously.

There are three types of interrupts:

- System reset
- (Non)maskable
- Maskable



**Figure 1-2. Interrupt Priority**

---

**Note:** The types of Interrupt sources available and their respective priorities can change from device to device. Please see the device specific datasheet for all interrupt sources and their priorities.

---



### 1.3.1 (Non)Maskable Interrupts (NMIs)

In general, NMIs are not masked by the general interrupt enable (GIE) bit. The family supports two levels of NMIs — system NMI (SNMI) and user NMI (UNMI). The NMI sources are enabled by individual interrupt enable bits. When an NMI interrupt is accepted, other NMIs of that level are automatically disabled to prevent nesting of consecutive NMIs of the same level. Program execution begins at the address stored in the NMI vector as shown in [Table 1-1](#). To allow software backward compatibility to users of earlier MSP430 families, the software may, but does not need to, reenabling NMI sources. The block diagram for NMI sources is shown in [Figure 1-3](#).

A UNMI interrupt can be generated by following sources:

- An edge on the  $\overline{\text{RST}}/\text{NMI}$  pin when configured in NMI mode
- An oscillator fault occurs
- An access violation to the flash memory

A SNMI interrupt can be generated by following sources:

- Power Management Module (PMM)  $\text{SVM}_L/\text{SVM}_H$  supply voltage fault
- PMM high/low side delay expiration
- Vacant memory access
- JTAG mailbox (JMB) event

---

**Note:** The number and types of NMI sources may vary from device to device. See the device-specific data sheet for all NMI sources available.

---

### 1.3.2 SNMI Timing

Consecutive SNMIs that occur at a higher rate than they can be handled (interrupt storm) allow the main program to execute one instruction after the SNMI handler is finished with a RETI instruction, before the SNMI handler is executed again. Consecutive SNMIs are not interrupted by UNMIs in this case. This avoids a blocking behavior on high SNMI rates.

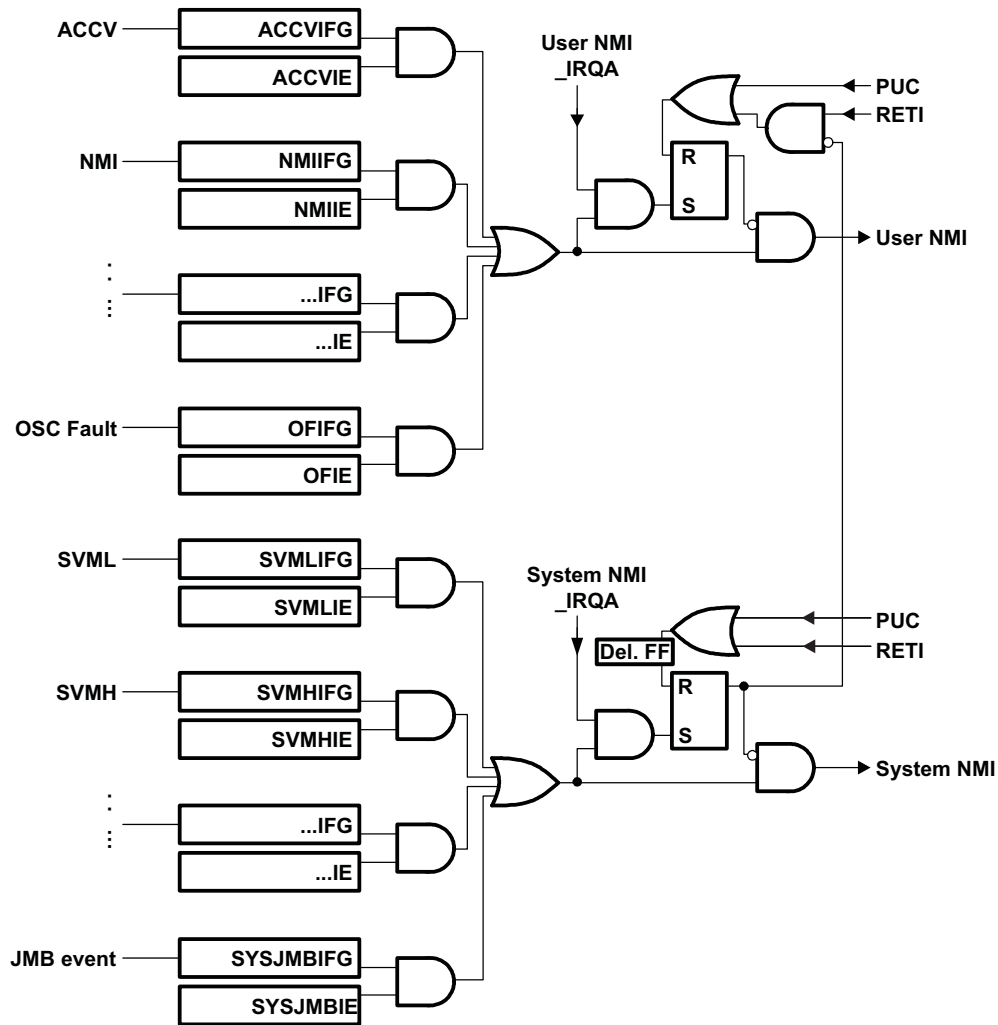


Figure 1-3. NMIs With Reentrance Protection

### 1.3.3 Maskable Interrupts

Maskable interrupts are caused by peripherals with interrupt capability. Each maskable interrupt source can be disabled individually by an interrupt enable bit, or all maskable interrupts can be disabled by the general interrupt enable (GIE) bit in the status register (SR).

Each individual peripheral interrupt is discussed in its respective module chapter in this manual.

#### Interrupt Processing

When an interrupt is requested from a peripheral and the peripheral interrupt enable bit and GIE bit are set, the interrupt service routine is requested. Only the individual enable bit must be set for (non)-maskable interrupts (NMI) to be requested.

#### Interrupt Acceptance

The interrupt latency is six cycles, starting with the acceptance of an interrupt request, and lasting until the start of execution of the first instruction of the interrupt service routine, as shown in [Figure 1-4](#). The interrupt logic executes the following:

1. Any currently executing instruction is completed.
2. The PC, which points to the next instruction, is pushed onto the stack.
3. The SR is pushed onto the stack.
4. The interrupt with the highest priority is selected if multiple interrupts occurred during the last instruction and are pending for service.
5. The interrupt request flag resets automatically on single-source flags. Multiple source flags remain set for servicing by software.
6. The SR is cleared. This terminates any low-power mode. Because the GIE bit is cleared, further interrupts are disabled.
7. The content of the interrupt vector is loaded into the PC; the program continues with the interrupt service routine at that address.

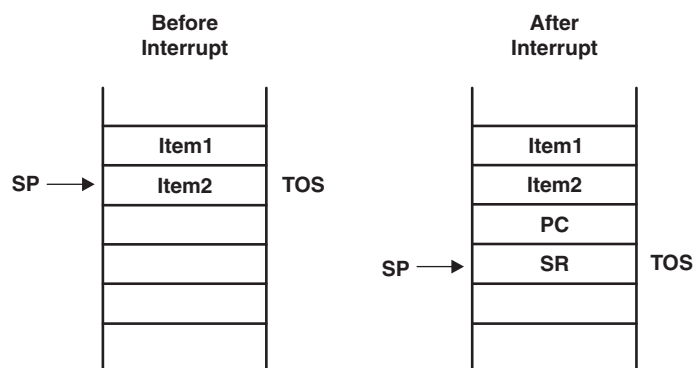


Figure 1-4. Interrupt Processing

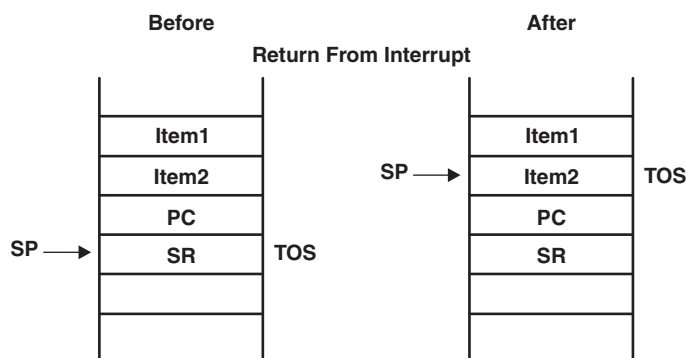
## Return From Interrupt

The interrupt handling routine terminates with the instruction:

```
RETI //return from an interrupt service routine
```

The return from the interrupt takes five cycles to execute the following actions and is illustrated in Figure 1-5.

1. The SR with all previous settings pops from the stack. All previous settings of GIE, CPUOFF, etc. are now in effect, regardless of the settings used during the interrupt service routine.
2. The PC pops from the stack and begins execution at the point where it was interrupted.



**Figure 1-5. Return From Interrupt**

### 1.3.5 Interrupt Vectors

The interrupt vectors are located in the address range 0FFFFh to 0FF80h, for a maximum of 64 interrupt sources. A vector is programmed by the user and points to the start location of the corresponding interrupt service routine. Table 1-1 is an example of the interrupt vectors available. See the device-specific data sheet for the complete interrupt vector list.

**Table 1-1. Interrupt Sources, Flags, and Vectors**

Interrupt Source	Interrupt Flag	System Interrupt	Word Address	Priority
Reset: power up, external reset watchdog, flash password	... WDTIFG KEYV	... Reset	... 0FFFEh	... Highest
System NMI: PMM		(Non)maskable	0FFFCh	...
User NMI: NMI, oscillator fault, flash memory access violation	... NMIIFG OFIFG ACCVIFG	... (Non)maskable (Non)maskable (Non)maskable	... 0FFFAh	... ...
Device specific			0FFF8h	...
...			...	...
Watchdog timer	WDTIFG	Maskable	...	...
...			...	...
Device specific			...	...
Reserved		Maskable	...	Lowest

Some interrupt enable bits, and interrupt flags, as well as, control bits for the  $\overline{\text{RST}}/\text{NMI}$  pin are located in the special function registers (SFR). The SFR are located in the peripheral address range and are byte and word accessible. See the device-specific data sheet for the SFR configuration.

## Alternate Interrupt Vectors

It is possible to use the RAM as an alternate location for the interrupt vector locations. Setting the SYSRIVECT bit in SYSCTL causes the interrupt vectors to be remapped to the top of RAM. Once set, any interrupt vectors to the alternate location now residing in RAM. Because SYSRIVECT is automatically cleared on a BOR, it is critical that the reset vector at location 0FFFEh still be available and handled properly in firmware.

### 1.3.6 SYS Interrupt Vector Generators

SYS collects all system NMI (SNMI) sources, user NMI (UNMI) sources, and BOR/POR/PUC (reset) sources of all the other modules. They are combined into three interrupt vectors. The interrupt vector registers SYSRSTIV, SYSSNIV, SYSUNIV are used to determine which flags requested an interrupt or a reset. The interrupt with the highest priority of a group, when enabled, generates a number in the corresponding SYSRSTIV, SYSSNIV, SYSUNIV register. This number can be directly added to the program counter, causing a branch to the appropriate portion of the interrupt service routine. Disabled interrupts do not affect the SYSRSTIV, SYSSNIV, SYSUNIV values. Reading SYSRSTIV, SYSSNIV, SYSUNIV register automatically resets the highest pending interrupt flag of that register. If another interrupt flag is set, another interrupt is immediately generated after servicing the initial interrupt. Writing to the SYSRSTIV, SYSSNIV, SYSUNIV register automatically resets all pending interrupt flags of the group.

### SYSSNIV Software Example

The following software example shows the recommended use of SYSSNIV. The SYSSNIV value is added to the PC to automatically jump to the appropriate routine. For SYSRSTIV and SYSUNIV, a similar software approach can be used. The following is an example for a generic device. Vectors can change in priority for a given device. The device specific data sheet should be referenced for the vector locations. All vectors should be coded symbolically to allow for easy portability of code.

```

SNI_ISR:      ADD      &SYSSNIV,PC ; Add offset to jump table
              RETI
              JMP      SVML_ISR      ; Vector 2: SVMLIFG
              JMP      SVMH_ISR      ; Vector 4: SVMHIFG
              JMP      DLYL_ISR      ; Vector 6: SVSMLDLYIFG
              JMP      DLYH_ISR      ; Vector 8: SVSMHDLYIFG
              JMP      VMA_ISR       ; Vector 10: VMAIFG
              JMP      JMBI_ISR      ; Vector 12: JMBINIFG
JMBO_ISR:
              ...                   ; Vector 14: JMBOUTIFG
              ...                   ; Task_E starts here
              RETI                   ; Return
SVML_ISR:
              ...                   ; Vector 2
              ...                   ; Task_2 starts here
              RETI                   ; Return
SVMH_ISR:
              ...                   ; Vector 4
              ...                   ; Task_4 starts here
              RETI                   ; Return
DELL_ISR:
              ...                   ; Vector 6
              ...                   ; Task_6 starts here
              RETI                   ; Return
DELH_ISR:
              ...                   ; Vector 8
              ...                   ; Task_8 starts here
              RETI                   ; Return
VMA_ISR:
              ...                   ; Vector A
              ...                   ; Task_A starts here
              RETI                   ; Return
JMBI_ISR:
              ...                   ; Vector C
              ...                   ; Task_C starts here
              RETI                   ; Return
    
```

---

**SYSBERRIV Bus Error Interrupt Vector Generator**

Some devices, for example those that contain the USB module, include an additional system interrupt vector generator, SYSBERRIV. In general, any type of system related bus error or timeout error is associated with a user NMI event. Upon this event, the SYSUNIV will contain an offset value corresponding to a bus error event (BUSIFG). This offset can be added to the PC to automatically jump to the appropriate NMI routine. Similarly, SYSBERRIV will also contain an offset value corresponding to which specific event caused the bus error event. The offset value in SYSBERRIV can be added inside the NMI routine to automatically jump to the appropriate routine. In this way, the SYSBERRIV can be thought of as an extension to the user NMI vectors.

**1.3.7 Interrupt Nesting**

Interrupt nesting is enabled if the GIE bit is set inside an interrupt service routine. When interrupt nesting is enabled, any interrupt occurring during an interrupt service routine interrupts the routine, regardless of the interrupt priorities.

## 1.4 Operating Modes

The MSP430 family is designed for ultralow-power applications and uses different operating modes shown in [Figure 1-6](#).

The operating modes take into account three different needs:

- Ultralow power
- Speed and data throughput
- Minimization of individual peripheral current consumption

The low-power modes LPM0 through LPM4 are configured with the CPUOFF, OSCOFF, SCG0, and SCG1 bits in the SR. The advantage of including the CPUOFF, OSCOFF, SCG0, and SCG1 mode-control bits in the SR is that the present operating mode is saved onto the stack during an interrupt service routine. Program flow returns to the previous operating mode if the saved SR value is not altered during the interrupt service routine. Program flow can be returned to a different operating mode by manipulating the saved SR value on the stack inside of the interrupt service routine. When setting any of the mode-control bits, the selected operating mode takes effect immediately. Peripherals operating with any disabled clock are disabled until the clock becomes active. Peripherals may also be disabled with their individual control register settings. All I/O port pins and RAM/registers are unchanged. Wakeup from LPM0 through LPM4 is possible through all enabled interrupts.

When LPM5 is entered, the voltage regulator of the Power Management Module (PMM) is disabled. All RAM and register contents are lost, as well as I/O configuration. Wakeup is possible via a power sequence, a RST event, or from specific I/O (see the Digital I/O chapter for details).

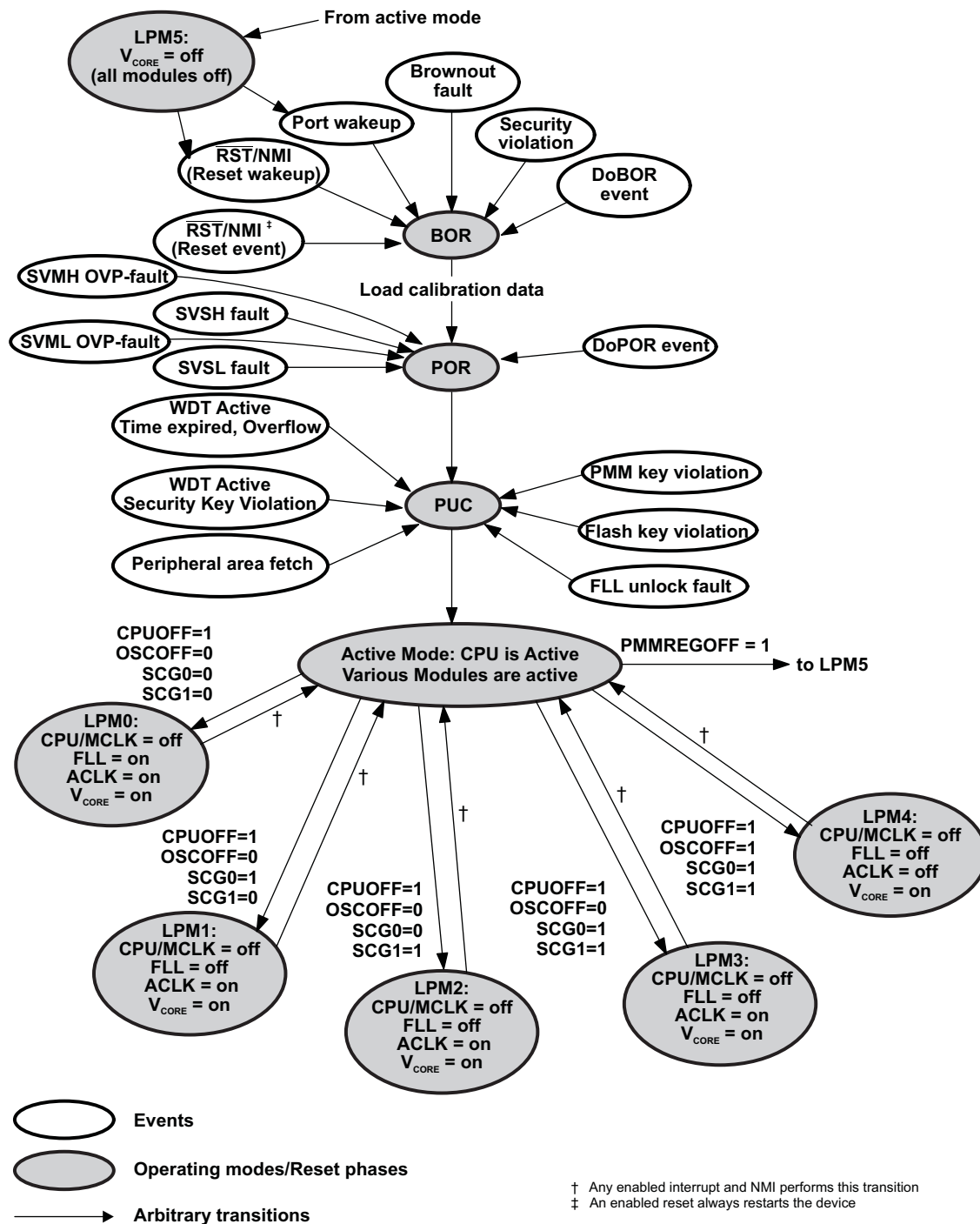


Figure 1-6. Operation Modes



SCG1	SCG0	OSCOFF	CPUOFF	Mode	CPU and Clocks Status
0	0	0	0	Active	CPU, MCLK are active. ACLK is active. SMCLK optionally active (SMCLKOFF = 0).
0	0	0	1	LPM0	CPU, MCLK are disabled. ACLK is active. SMCLK optionally active (SMCLKOFF = 0). DCO is enabled if sources ACLK, MCLK, or SMCLK (SMCLKOFF = 0). FLL is enabled if DCO is enabled.
0	1	0	1	LPM1	CPU, MCLK are disabled. ACLK is active. SMCLK optionally active (SMCLKOFF = 0). DCO is enabled if sources ACLK or SMCLK (SMCLKOFF = 0). FLL is disabled.
1	0	0	1	LPM2	CPU, MCLK are disabled. ACLK is active. SMCLK is disabled. DCO is enabled if sources ACLK. FLL is disabled.
1	1	0	1	LPM3	CPU, MCLK are disabled. ACLK is active. SMCLK is disabled. DCO is enabled if sources ACLK. FLL is disabled.
1	1	1	1	LPM4	CPU and all clocks are disabled.
1	1	1	1	LPM5 <sup>(1)</sup>	When PMMREGOFF = 1, regulator is disabled. No memory retention.

<sup>(1)</sup> LPM5 mode is not available on 'F543x and F541x devices. It is available on 'F543xA and 'F541xA devices.

### 1.4.1 Entering and Exiting Low-Power Modes LPM0 Through LPM4

An enabled interrupt event wakes the device from low-power operating modes LPM0 through LPM4. The program flow for exiting LPM0 through LPM4 is:

- Enter interrupt service routine
  - The PC and SR are stored on the stack.
  - The CPUOFF, SCG1, and OSCOFF bits are automatically reset.
- Options for returning from the interrupt service routine
  - The original SR is popped from the stack, restoring the previous operating mode.
  - The SR bits stored on the stack can be modified within the interrupt service routine returning to a different operating mode when the RETI instruction is executed.

```

; Enter LPM0 Example
  BIS   #GIE+CPUOFF,SR           ; Enter LPM0
;   ...                          ; Program stops here
;
; Exit LPM0 Interrupt Service Routine
  BIC   #CPUOFF,0(SP)           ; Exit LPM0 on RETI
  RETI

; Enter LPM3 Example
  BIS   #GIE+CPUOFF+SCG1+SCG0,SR ; Enter LPM3
;   ...                          ; Program stops here
;
; Exit LPM3 Interrupt Service Routine
  BIC   #CPUOFF+SCG1+SCG0,0(SP) ; Exit LPM3 on RETI
  RETI

; Enter LPM4 Example
  BIS   #GIE+CPUOFF+OSCOFF+SCG1+SCG0,SR ; Enter LPM4
;   ...                          ; Program stops here
;
; Exit LPM4 Interrupt Service Routine
  BIC   #CPUOFF+OSCOFF+SCG1+SCG0,0(SP) ; Exit LPM4 on RETI
  RETI

```

### 1.4.2 Entering and Exiting Low-Power Mode LPM5

LPM5 entry and exit is handled differently than the other low power modes. LPM5, when used properly, gives the lowest power consumption available on a device. To achieve this, entry to LPM5 disables the LDO of the PMM module, removing the supply voltage from the core of the device. Since the supply voltage is removed from the core, all register contents, as well as, SRAM contents are lost. Exit from LPM5 causes a BOR event, which forces a complete reset of the system. Therefore, it is the application's responsibility to properly reconfigure the device upon exit from LPM5.

The wakeup time from LPM5 is significantly longer than the wakeup time from the other power modes (please see the device specific datasheet). This is primarily due to the facts that after exit from LPM5, time is required for the core voltage supply to be regenerated, as well as, boot code execution before the application code can start. Therefore, the usage of LPM5 is restricted to very low duty cycle events.

The program flow for entering LPM5 is:

- Configure I/O appropriately. See the *Digital I/O* chapter for complete details.
  - Set all ports to general purpose I/O. Configure each port to ensure no floating inputs based on the application requirements.
  - If wakeup from I/O is desired, configure input ports with interrupt capability appropriately.
- Enter LPM5. The following code example shows how to enter LPM5 mode. See the *Power Management Module and Supply Voltage Supervisor* chapter for further details.

```
; Enter LPM5 Example
MOV.B #PMPW, &PMMCTL0_H           ; Open PMM registers for write
BIS   #PMMREGOFF, &PMMCTL0       ;
BIS   #GIE+CPUOFF+OSCOFF+SCG1+SCG0,SR ;Enter LPM5 when PMMREGOFF is set.
```

Exit from LPM5 is possible with a  $\overline{\text{RST}}$  event, a power on cycle, or via specific I/O. Any exit from LPM5 will cause a BOR. Program execution will continue at the location stored in the system reset vector location 0FFFEh after execution of the boot code. The PMMLPM5IFG bit inside the PMM module will be set indicating that the device was in LPM5 prior to the exit event. Additionally, SYSRSTIV = 08h which can be used to generate an efficient reset handler routine. During LPM5, all I/O pin conditions are automatically locked to the current state. Upon exit from LPM5, the I/O pin conditions remain locked until the application unlocks them. See the *Digital I/O* chapter for complete details. The program flow for exiting LPM5 is:

- Enter system reset service routine
  - Reconfigure system as required for the application.
  - Reconfigure I/O as required for the application.

### 1.4.3 Extended Time in Low-Power Modes

The temperature coefficient of the DCO should be considered when the DCO is disabled for extended low-power mode periods. If the temperature changes significantly, the DCO frequency at wakeup may be significantly different from when the low-power mode was entered and may be out of the specified operating range. To avoid this, the DCO can be set to its lowest value before entering the low-power mode for extended periods of time where temperature can change.

```
; Enter LPM4 Example with lowest DCO Setting
BIC   #SCG0, SR                   ; Disable FLL
MOV   #0100h, &UCSCTL0           ; Set DCO tap to first tap, clear
modulation.
BIC   #DCORSEL2+DCORSEL1+DCORSEL0,&UCSCTL1 ; Lowest DCORSEL
BIS   #GIE+CPUOFF+OSCOFF+SCG1+SCG0,SR   ; Enter LPM4
; ...                               ; Program stops
;

; Interrupt Service Routine
BIC   #CPUOFF+OSCOFF+SCG1+SCG0,0(SR)   ; Exit LPM4 on RETI
RETI
```

## 1.5 Principles for Low-Power Applications

Often, the most important factor for reducing power consumption is using the device clock system to maximize the time in LPM3 or LPM4 modes whenever possible.

- Use interrupts to wake the processor and control program flow.
- Peripherals should be switched on only when needed.
- Use low-power integrated peripheral modules in place of software driven functions. For example, Timer\_A and Timer\_B can automatically generate PWM and capture external timing with no CPU resources.
- Calculated branching and fast table look-ups should be used in place of flag polling and long software calculations.
- Avoid frequent subroutine and function calls due to overhead.
- For longer software routines, single-cycle CPU registers should be used.

If the application has low duty cycle, slow response time events, maximizing time in LPM5 can further reduce power consumption significantly.

## 1.6 Connection of Unused Pins

The correct termination of all unused pins is listed in [Table 1-2](#).

**Table 1-2. Connection of Unused Pins**

Pin	Potential	Comment
AV <sub>CC</sub>	DV <sub>CC</sub>	
AV <sub>SS</sub>	DV <sub>SS</sub>	
Px.0 to Px.7	Open	Switched to port function, output direction (PxDIR.n = 1)
$\overline{\text{RST}}/\text{NMI}$	DV <sub>CC</sub> or V <sub>CC</sub>	47-k $\Omega$ pullup or internal pullup selected with 10-nF (2.2 nF <sup>(1)</sup> ) pulldown <sup>(1)</sup>
TDO/TDI/TMS/TCK	Open	
TEST	Open	

<sup>(1)</sup> The pulldown capacitor should not exceed 2.2 nF when using devices with Spy-Bi-Wire interface in Spy-Bi-Wire mode or in 4-wire JTAG mode with TI tools like FET interfaces or GANG programmers.

## 1.7 Boot Code

The boot code is always executed after a BOR. The boot code loads factory stored calibration values of the oscillator and reference voltages. In addition, it checks for a BSL entry sequence, as well as, checks for the presence of a customer definable boot strap loader (BSL).

## 1.8 Bootstrap Loader (BSL)

The BSL is software that is executed after start-up when a certain BSL entry condition is applied. The BSL enables the user to communicate with the embedded memory in the microcontroller during the prototyping phase, final production, and in service. All memory mapped resources, the programmable memory (flash memory), the data memory (RAM), and the peripherals, can be modified by the BSL as required. The user can define his own BSL code for flash-based devices and protect it against erasure and unintentional or unauthorized access.

A basic BSL program is provided by TI. This supports the commonly used UART protocol with RS232 interfacing, allowing flexible use of both hardware and software. To use the BSL, a specific BSL entry sequence must be applied to specific device pins. An added sequence of commands initiates the desired function. A boot-loading session can be exited by continuing operation at a defined user program address or by the reset condition. Access to the device memory via the BSL is protected against misuse by a user-defined password. For more details, see the *MSP430 Memory Programming User's Guide* (SLAU265) at [www.ti.com/msp430](http://www.ti.com/msp430).

## 1.9 Memory Map – Uses and Abilities

This memory map represents the MSP430F5438 device. Though the address ranges differs from device to device, overall behavior remains the same.

Can generate NMI on read/write/fetch							
Generates PUC on fetch access							
Protectable for read/write accesses							
Always able to access PMM registers from <sup>(1)</sup> ; Mass erase by user possible							
Mass erase by user possible							
Bank erase by user possible							
Segment erase by user possible							
Address Range	Name and Usage	Properties					
00000h-00FFFh	Peripherals with gaps						
00000h-000FFh	Reserved for system extension						
00100h-00FEFh	Peripherals						x
00FF0h-00FF3h	Descriptor type <sup>(2)</sup>						x
00FF4h-00FF7h	Start address of descriptor structure						x
01000h-011FFh	BSL 0	x				x	
01200h-013FFh	BSL 1	x				x	
01400h-015FFh	BSL 2	x				x	
01600h-017FFh	BSL 3	x			x	x	
017FCh-017FFh	BSL Signature Location						
01800h-0187Fh	Info D	x					
01880h-018FFh	Info C	x					
01900h-0197Fh	Info B	x					
01980h-019FFh	Info A	x					
01A00h-01A7Fh	Device Descriptors						x
01C00h-05BFFh	RAM 16 KB						
05B80-05BFFh	Alternate Interrupt Vectors						
05C00h-0FFFFh	Program	x	x <sup>(1)</sup>	x			
0FF80h-0FFFFh	Interrupt Vectors						
10000h-45BFFh	Program	x	x	x			
45C00h-FFFFFFh	Vacant						x <sup>(3)</sup>

(1) Access rights are separately programmable for SYS and PMM.

(2) Fixed ID for all MSP430 devices. See [Section 1.11.1](#) for further details.

(3) On vacant memory space, the value 03FFFh is driven on the data bus.

### 1.9.1 Vacant Memory Space

Vacant memory is non-existent memory space. Accesses to vacant memory space generate a (non)maskable interrupt (NMI). Reads from vacant memory results in the value 3FFFh. In the case of a fetch, this is taken as JMP \$. Fetch accesses from vacant peripheral space result in a PUC. After the boot code is executed, it behaves like vacant memory space and also causes an NMI on access.

### 1.9.2 JTAG Lock Mechanism via the Electronic Fuse

A device can be protected from unauthorized access by disabling the JTAG and SpyBiWire interface by securing the device by programming the electronic fuse. Programming the electronic fuse, completely disables the debug and access capabilities associated with the JTAG and SpyBiWire interface and is not reversible. Some JTAG commands are still possible after the device is secured including the BYPASS command (see IEEE1149-2001 Standard) and the JMB\_EXCHANGE command which allows access to the JTAG Mailbox System (see [Table 10-2](#) for details). For more details on the electronic fuse see the *MSP430 Memory Programming User's Guide* ([SLAU265](#)) at [www.ti.com/msp430](http://www.ti.com/msp430).

## 10-2 JTAG Mailbox (JMB) System

The SYS module provides the capability to exchange user data via the regular JTAG test/debug interface. The idea behind the JMB is to have a direct interface to the CPU during debugging, programming, and test that is identical for all '430 devices of this family and uses only few or no user application resources. The JTAG interface was chosen because it is available on all '430 devices and is a dedicated resource for debugging, programming and test.

Applications of the JMB are:

- Providing entry password for device lock/unlock protection
- Run-time data exchange (RTDX)

### 1.10.1 JMB Configuration

The JMB supports two transfer modes - 16-bit and 32-bit. Setting JMBMODE enables 32-bit transfer mode. Clearing JMBMODE enables 16-bit transfer mode.

### 1.10.2 JMBOUT0 and JMBOUT1 Outgoing Mailbox

Two 16-bit registers are available for outgoing messages to the JTAG port. JMBOUT0 is only used when using 16-bit transfer mode (JMBMODE = 0). JMBOUT1 is used in addition to JMBOUT0 when using 32-bit transfer mode (JMBMODE = 1). When the application wishes to send a message to the JTAG port, it writes data to JMBOUT0 for 16-bit mode, or JMBOUT0 and JMBOUT1 for 32-bit mode.

JMBOUT0FG and JMBOUT1FG are read only flags that indicate the status of JMBOUT0 and JMBOUT1, respectively. When JMBOUT0FG is set, JMBOUT0 has been read by the JTAG port and is ready to receive new data. When JMBOUT0FG is reset, the JMBOUT0 is not ready to receive new data. JMBOUT1FG behaves similarly.

### 1.10.3 JMBIN0 and JMBIN1 Incoming Mailbox

Two 16-bit registers are available for incoming messages from the JTAG port. JMBIN0 is only used when using 16-bit transfer mode (JMBMODE = 0). JMBIN1 is used in addition to JMBIN0 when using 32-bit transfer mode (JMBMODE = 1). When the JTAG port wishes to send a message to the application, it writes data to JMBIN0 for 16-bit mode, or JMBIN0 and JMBIN1 for 32-bit mode.

JMBIN0FG and JMBIN1FG are flags that indicate the status of JMBIN0 and JMBIN1, respectively. When JMBIN0FG is set, JMBIN0 has data that is available for reading. When JMBIN0FG is reset, no new data is available in JMBIN0. JMBIN1FG behaves similarly.

JMBIN0FG and JMBIN1FG can be configured to clear automatically by clearing JMBCLR1OFF and JMCLR2OFF, respectively. Otherwise, these flags must be cleared by software.

### 1.10.4 JMB NMI Usage

The JMB handshake mechanism can be configured to use interrupts to avoid unnecessary polling if desired. In 16-bit mode, JMBOUTIFG is set when JMBOUT0 has been read by the JTAG port and is ready to receive data. In 32-bit mode, JMBOUTIFG is set when both JMBOUT0 and JMBOUT1 has been read by the JTAG port and are ready to receive data. If JMBOUTIE is set, these events cause a system NMI. In 16-bit mode, JMBOUTIFG is cleared automatically when data is written to JMBOUT0. In 32-bit mode, JMBOUTIFG is cleared automatically when data is written to both JMBOUT0 and JMBOUT1. In addition, the JMBOUTIFG can be cleared when reading SYSSNIV. Clearing JMBOUTIE disables the NMI interrupt.

In 16-bit mode, JMBINIFG is set when JMBIN0 is available for reading. In 32-bit mode, JMBINIFG is set when both JMBIN0 and JMBIN1 are available for reading. If JMBOUTIE is set, these events cause a system NMI. In 16-bit mode, JMBINIFG is cleared automatically when JMBIN0 is read. In 32-bit mode, JMBINIFG is cleared automatically when both JMBIN0 and JMBIN1 are read. In addition, the JMBINIFG can be cleared when reading SYSSNIV. Clearing JMBINIE disables the NMI interrupt.

## 1.11 Device Descriptor Table

Each device provides a data structure in memory that allows an unambiguous identification of the device, as well as, a more detailed description of the available modules on a given device. SYS provides this information and can be used by device-adaptive SW tools and libraries to clearly identify a particular device and all modules and capabilities contained within it. The validity of the device descriptor can be verified by cyclic redundancy check (CRC). Figure 1-7 shows the logical order and structure of the device descriptor table. The complete device descriptor table and its contents can be found in the device specific datasheet.

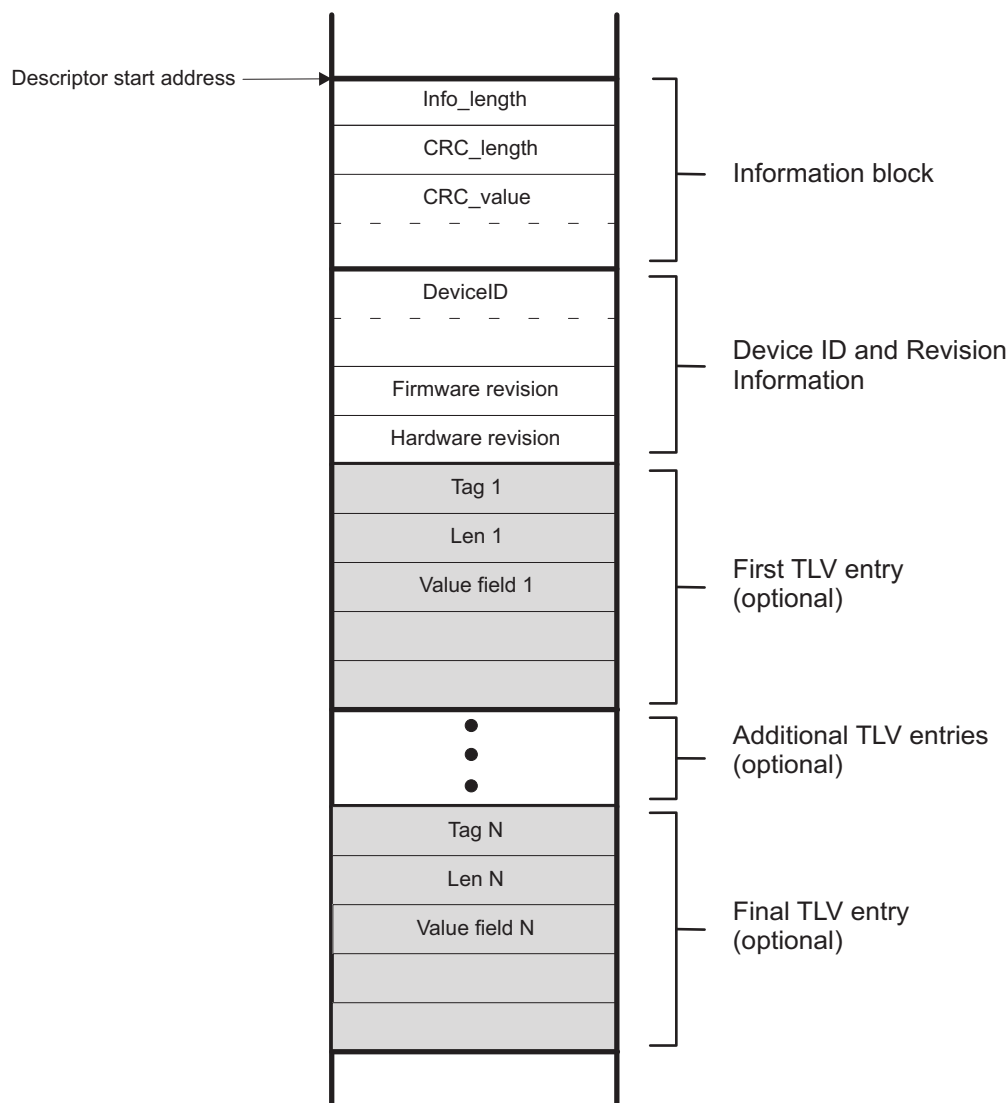


Figure 1-7. Devices Descriptor Table

### 1.11.1 Identifying Device Type

The value read at address location 00FF0h identifies the family branch of the device. All values starting with 80h indicate a hierarchical structure consisting of the information block and a TLV tag-length-value (TLV) structure containing the various descriptors. Any other value than 80h read at address location 00FF0h indicates the device is of an older family and contains a flat descriptor beginning at location 0FF0h. The information block contains the device ID, die revisions, SW revisions of boot code, and other manufacturer and tool related information. The descriptors contains information about the available peripherals, their subtypes and addresses and provides the information required to build adaptive HW drivers for operating systems. The structure of the information block is shown below:

```

unsigned char  Info_length; // 8 bit value
unsigned char  CRC_length; // 8 bit value
unsigned short CRC_value; //16 bit value
unsigned short DeviceID ; //16 bit value
struct Revision {
    majorFWrev :4; //bits 15..12 major firmware version
    minorFWrev :4; //bits 11..8  minor firmware version
    majorHWrev :4; //bits 7..4   major hardware version
    minorFWrev :4; //bits 3..0   minor hardware version
}

```

The length of the descriptors represented by Info\_length is computed as follows:

Length =  $2^{\text{Info\_length}}$  in 32-bit words

For example, if Info\_length = 5, then the length of the descriptors equals 128 bytes.

### 1.11.2 TLV Descriptors

The TLV descriptors follow the information block. Because the information block is always a fixed length, the start location of the TLV descriptors is fixed for a given device family. For the MSP430x5xx family, this location is 01A08h. See the device-specific data sheet for the complete TLV structure and what descriptors are available.

The tag field identifies the type of descriptor. [Table 1-3](#) shows the currently supported tags.

**Table 1-3. Tag Values**

Short Name	Value	Description
LDTAG	01h	Legacy descriptor (1xx, 2xx, 4xx families)
PDTAG	02h	Peripheral discovery descriptor
Reserved	03h	Future usage
Reserved	04h	Future usage
BLANK	05h	Blank descriptor
Reserved	06h	Future usage
ADCCAL	10h	ADC calibration
TAGEXT	FEh	Tag extender

The length field is one byte if the tag value is 01h through 0FDh and represents the length of the descriptor in bytes. If the tag value equals 0FEh, the next byte extends the tag values, and the following two bytes represent the length of the descriptor in bytes.

### 1.11.3 Peripheral discovery descriptor

This descriptor type can describe concatenated or distributed memory or peripheral mappings, as well as, the number of interrupt vectors and their order. [Table 1-4](#) shows the structure of the peripheral discovery descriptor.

**Table 1-4. Peripheral Discovery Descriptor**

Element	Size (bytes)	Comments
memory entry 1	2	Optional
memory entry 2	2	Optional
...	2	Optional
delimiter (00h)	1	Mandatory
peripheral count	1	Mandatory
peripheral entry 1	2	Optional



**Table 1-4. Peripheral Discovery Descriptor (continued)**

Element	Size (bytes)	Comments
peripheral entry 2	2	Optional
...	2	Optional
Interrupt priority N-3	1	Optional
Interrupt priority N-4	1	Optional
...	1	Optional
delimiter (00h)	1	Mandatory

The structures for a memory and peripherals are shown below:

```
struct memory_entry {
    MemType    :3; //bits 15..13
    Size       :4; //bits 12..9
    More       :1; //bit 8
    UnitSize   :1; //bit 7
    AdrVal     :7; //bits 6..0
}
```

```
struct peripheral_entry {
    PID        :8; //bits 15..8
    UnitSize   :1; //bit 7
    AdrVal     :7; //bits 6..0
}
```

Table 1-5 and Table 1-6 show the values that each element inside a memory and peripheral entry can take, respectively.

**Table 1-5. Values for Memory Entry**

MemType	Size	More	UnitSize	AdrVal
None	0 B	End Entry	0200h	0000000
RAM	128 B	More Entries	010000h	0000001
EEPROM	256 B			0000010
Reserved	512 B			0000011
FLASH	1 KB			0000100
ROM	2KB			0000101
MemType appended	4 KB			0000110
Undefined	8 KB			0000111
	16 KB			0001000
	32 KB			0001001
	64 KB			0001010
	128 KB			0001011
	256 KB			0001100
	512 KB			...
	Size appended			...
	Undefined			1111111

**Table 1-6. Values for Peripheral Entry**

Peripheral ID (PID) <sup>(1)</sup>	UnitSize	AdrVal
Any PID	010h	0000000
Any PID	0800h	0000001
Any PID		0000010
Any PID		0000011
Any PID		0000100
Any PID		0000101
Any PID		...
Any PID		...
Any PID		1111111

<sup>(1)</sup> The Peripheral IDs are listed in [Table 1-7](#). This is not a complete list, but shown as an example.

**Table 1-7. Peripheral IDs<sup>(1)</sup>**

Peripheral or Module	PID
No Module	00h
ET wrapper	01h
SFR	02h
UCS	03h
SYS	04h
PMM	05h
Flash Controller	08h
CRC16	09h
Port 1, 2	51h
Port 3, 4	52h
Port 5, 6	53h
Port 7, 8	54h
Port 9, 10	55h
Port J	5Fh
Timer A0	81h
Timer A1	82h
Special info appended	FEh
Undefined module	FFh

<sup>(1)</sup> This table is not a complete list of all peripheral IDs available on a device, but is shown here for illustrative purposes only.

Table 1-8 shows a simple example for a peripheral discovery descriptor of a hypothetical device:

**Table 1-8. Sample Peripheral Discovery Descriptor**

Hex	Binary	Description
030h, 0Eh	001_1000_0_0_0001110	RAM 16 KB; Start address = 01C00h (0Eh * 0200h)
09Bh, 02Eh	100_1011_0_0_0101110	FLASH 128 KB Start address = 05C00h (2Eh * 0200h)
00h	0000_0000_0000_0000	No more memory entries
0Fh	0000_1111	Peripheral count = 15
02h, 10h	00000010_0_0010000	SFR at address = 0100h (10h * 10h)
01h, 01h	00000001_0_0000001	ET wrapper at address = 0110h (0100h + 10h)
05h, 01h	00000101_0_0000001	PMM at address = 0120h (0110h + 10h)
03h, 01h	00000011_0_0000001	UCS at address = 0130h (0120h + 10h)
08h, 01h	00001000_0_0000001	FLCTL at address = 0140h (0130h + 10h)
09h, 01h	00001001_0_0000001	CRC16 at address = 0150h (0140h + 10h)
04h, 01h	00000100_0_0000001	SYS at address = 0160h (0150h + 10h)
51h, 0Ah	01010001_0_0001010	Port 1, 2 at address = 0200h (0160h + 10h * 10h)
52h, 02h	01010010_0_0000010	Port 3, 4 at address = 0220h (0200h + 02h * 10h)
53h, 02h	01010011_0_0000010	Port 5, 6 at address = 0240h (0220h + 02h * 10h)
54h, 02h	01010100_0_0000010	Port 7, 8 at address = 0260h (0240h + 02h * 10h)
55h, 02h	01010101_0_0000010	Port 9, 10 at address = 0280h (0260h + 02h * 10h)
5Fh, 0Ah	01011111_0_0001010	Port J at address = 0320h (0280h + 0Ah * 10h)
81h, 02h	10000001_0_0000010	Timer A0 at address = 0340h (0320h + 02h * 10h)
82h, 04h	10000010_0_0000100	Timer A1 at address = 0380h (0340h + 04h * 10h)
-		No appended entries
		SYSRSTIV @0FFFEh (implied)
		SYSSNIV @0FFFC (implied)
		SYSUNIV @ 0FFFA (implied)
81h	1000_0001	TA0 CCR0 @ 0FFF8
81h	1000_0001	TA0 CCR1, CCR1, TA0IFG@ 0FFF6
51h	0101_0001	Port 1 @ 0FFF4
82h	1000_0010	TA1CCR0 @ 0FFF2
51h	0101_0001	Port 2 @ 0FFF0
81h	1000_0010	TA1 CCR1, CCR1, TA1IFG@ 0FFEE
00h	0000_0000	No more interrupt entries

**Note:** The interrupt ordering has some implied rules:

- For timers, CCR0 interrupt has higher priority over all other CCRn interrupts.
- For communication ports, RX has higher priority over TX
- For port pairs, Port 1 has higher priority over Port 2, Port 3 has higher priority over Port 4, etc.

## 1.12 Special Function Registers (SFRs)

The SFRs are listed in [Table 1-10](#). The base address for the SFRs is listed in [Table 1-9](#).

**Note:** All registers have word or byte register access. For a generic register *ANYREG*, the suffix "\_L" (*ANYREG\_L*) refers to the lower byte of the register (bits 0 through 7). The suffix "\_H" (*ANYREG\_H*) refers to the upper byte of the register (bits 8 through 15).

**Table 1-9. SFR Base Address**

Module	Base Address
SFR	00100h

**Table 1-10. Special Function Registers**

Register	Short Form	Register Type	Register Access	Address Offset	Initial State
Interrupt Enable	SFRIE1	Read/write	Word	00h	0000h
	SFRIE1_L (IE1)	Read/write	Byte	00h	00h
	SFRIE1_H (IE2)	Read/write	Byte	01h	00h
Interrupt Flag	SFRIFG1	Read/write	Word	02h	0082h
	SFRIFG1_L (IFG1)	Read/write	Byte	02h	82h
	SFRIFG1_H (IFG2)	Read/write	Byte	03h	00h
Reset Pin Control	SFRRPCR	Read/write	Word	04h	0000h
	SFRRPCR_L	Read/write	Byte	04h	00h
	SFRRPCR_H	Read/write	Byte	05h	00h

**Interrupt Enable Register (SFRIE1)**

15 7	14 6	13 5	12 4	11 3	10 2	9 1	8 0
<b>Reserved</b>	<b>Reserved</b>	<b>Reserved</b>	<b>Reserved</b>	<b>Reserved</b>	<b>Reserved</b>	<b>Reserved</b>	<b>Reserved</b>
r0	r0	r0	r0	r0	r0	r0	r0
7	6	5	4	3	2	1	0
<b>JMBOUTIE</b>	<b>JMBINIE</b>	<b>ACCVIE</b>	<b>NMIIE</b>	<b>VMAIE</b>	<b>Reserved</b>	<b>OFIE</b>	<b>WDTIE</b>
rw-0	rw-0	rw-0	rw-0	rw-0	r0	rw-0	rw-0

<b>Reserved</b>	Bits 15-8	Reserved. Reads back 0.
<b>JMBOUTIE</b>	Bit 7	JTAG mailbox output interrupt enable flag 0 Interrupts disabled 1 Interrupts enabled
<b>JMBINIE</b>	Bit 6	JTAG mailbox input interrupt enable flag 0 Interrupts disabled 1 Interrupts enabled
<b>ACCVIE</b>	Bit 5	Flash controller access violation interrupt enable flag 0 Interrupts disabled 1 Interrupts enabled
<b>NMIIE</b>	Bit 4	NMI pin interrupt enable flag 0 Interrupts disabled 1 Interrupts enabled
<b>VMAIE</b>	Bit 3	Vacant memory access interrupt enable flag 0 Interrupts disabled 1 Interrupts enabled
<b>Reserved</b>	Bit 2	Reserved. Reads back 0.
<b>OFIE</b>	Bit 1	Oscillator fault interrupt enable flag 0 Interrupts disabled 1 Interrupts enabled
<b>WDTIE</b>	Bit 0	Watchdog timer interrupt enable. This bit enables the WDTIFG interrupt for interval timer mode. It is not necessary to set this bit for watchdog mode. Because other bits in ~IE1 may be used for other modules, it is recommended to set or clear this bit using BIS.B or BIC.B instructions, rather than MOV.B or CLR.B instruction 0 Interrupts disabled 1 Interrupts enabled

**Interrupt Flag Register (SFRIFG1)**

15	14	13	12	11	10	9	8
7	6	5	4	3	2	1	0
<b>Reserved</b>	<b>Reserved</b>	<b>Reserved</b>	<b>Reserved</b>	<b>Reserved</b>	<b>Reserved</b>	<b>Reserved</b>	<b>Reserved</b>
r0	r0	r0	r0	r0	r0	r0	r0
7	6	5	4	3	2	1	0
<b>JMBOUTIFG</b>	<b>JMBINIFG</b>	<b>Reserved</b>	<b>NMIIFG</b>	<b>VMAIFG</b>	<b>Reserved</b>	<b>OFIFG</b>	<b>WDTIFG</b>
rw-(1)	rw-(0)	r0	rw-0	rw-0	r0	rw-(1)	rw-0

<b>Reserved</b>	Bits 15–8	Reserved. Reads back 0.
<b>JMBOUTIFG</b>	Bit 7	JTAG mailbox output interrupt flag
	0	No interrupt pending. When in 16-bit mode (JMBMODE = 0), this bit is cleared automatically when JMBO0 has been written by the CPU. When in 32-bit mode (JMBMODE = 1), this bit is cleared automatically when both JMBO0 and JMBO1 have been written by the CPU. This bit is also cleared when the associated vector in SYSUNIV has been read.
	1	Interrupt pending, JMBO registers are ready for new messages. In 16-bit mode (JMBMODE = 0), JMBO0 has been received by JTAG. In 32-bit mode (JMBMODE = 1), JMBO0 and JMBO1 have been received by JTAG.
<b>JMBINIFG</b>	Bit 6	JTAG mailbox input interrupt flag
	0	No interrupt pending. When in 16-bit mode (JMBMODE = 0), this bit is cleared automatically when JMBI0 is read by the CPU. When in 32-bit mode (JMBMODE = 1), this bit is cleared automatically when both JMBI0 and JMBI1 have been read by the CPU. This bit is also cleared when the associated vector in SYSUNIV has been read
	1	Interrupt pending, a message is waiting in the JMBIN registers. In 16-bit mode (JMBMODE = 0) when JMBI0 has been written by JTAG. In 32-bit mode (JMBMODE = 1) when JMBI0 and JMBI1 have been written by JTAG.
<b>Reserved</b>	Bit 5	Reserved. Reads back 0.
<b>NMIIFG</b>	Bit 4	NMI pin interrupt flag
	0	No interrupt pending
	1	Interrupt pending
<b>VMAIFG</b>	Bit 3	Vacant memory access interrupt flag
	0	No interrupt pending
	1	Interrupt pending
<b>Reserved</b>	Bit 2	Reserved. Reads back 0.
<b>OFIFG</b>	Bit 1	Oscillator fault interrupt flag
	0	No interrupt pending
	1	Interrupt pending
<b>WDTIFG</b>	Bit 0	Watchdog timer interrupt flag. In watchdog mode, WDTIFG remains set until reset by software. In interval mode, WDTIFG is reset automatically by servicing the interrupt, or can be reset by software. Because other bits in ~IFG1 may be used for other modules, it is recommended to clear WDTIFG by using BIS.B or BIC.B instructions, rather than MOV.B or CLR.B instructions.
	0	No interrupt pending
	1	Interrupt pending

**Reset Pin Control Register (SFRRPCR)**

15	14	13	12	11	10	9	8
7	6	5	4	3	2	1	0
<b>Reserved</b>	<b>Reserved</b>	<b>Reserved</b>	<b>Reserved</b>	<b>Reserved</b>	<b>Reserved</b>	<b>Reserved</b>	<b>Reserved</b>
r0	r0	r0	r0	r0	r0	r0	r0
7	6	5	4	3	2	1	0
<b>Reserved</b>	<b>Reserved</b>	<b>Reserved</b>	<b>Reserved</b>	<b>SYSRSTRE</b> <sup>(1)</sup>	<b>SYSRSTUP</b> <sup>(1)</sup>	<b>SYSNMIIES</b>	<b>SYSNMI</b>
r0	r0	r0	r0	rw-1	rw-1	rw-0	rw-0

<b>Reserved</b>	Bits 15-5	Reserved. Reads back 0.
<b>SYSRSTRE</b> <sup>(1)</sup>	Bit 3	Reset pin resistor enable 0 Pullup/pulldown resistor at the $\overline{\text{RST}}$ /NMI pin is disabled. 1 Pullup/pulldown resistor at the $\overline{\text{RST}}$ /NMI pin is enabled.
<b>SYSRSTUP</b> <sup>(1)</sup>	Bit 2	Reset resistor pin pullup/pulldown 0 Pulldown is selected. 1 Pullup is selected.
<b>SYSNMIIES</b>	Bit 1	NMI edge select. This bit selects the interrupt edge for the NMI when SYSNMI = 1. Modifying this bit can trigger an NMI. Modify this bit when SYSNMI = 0 to avoid triggering an accidental NMI. 0 NMI on rising edge 1 NMI on falling edge
<b>SYSNMI</b>	Bit 0	NMI select. This bit selects the function for the RST/NMI pin. 0 Reset function 1 NMI function

<sup>(1)</sup> All devices except the MSP430F5438 (non-A) default to pullup enabled on the reset pin.

<sup>(1)</sup> All devices except the MSP430F5438 (non-A) default to pullup enabled on the reset pin.

### 1.13 SYS Configuration Registers

The SYS configuration registers are listed in [Table 1-14](#) and the base address is listed in [Table 1-14](#). A detailed description of each register and its bits is also provided. Each register starts at a word boundary. Both, word or byte data can be written to the SYS configuration registers.

**Note:** All registers have word or byte register access. For a generic register *ANYREG*, the suffix "\_L" (*ANYREG\_L*) refers to the lower byte of the register (bits 0 through 7). The suffix "\_H" (*ANYREG\_H*) refers to the upper byte of the register (bits 8 through 15).

**Table 1-14. SYS Base Address**

Module	Base address
SYS	00180h

**Table 1-15. SYS Configuration Registers**

Register	Short Form	Register Type	Register Access	Address Offset	Initial State
System Control	SYSCTL	Read/write	Word	00h	0000h
	SYSCTL_L	Read/write	Byte	00h	00h
	SYSCTL_H	Read/write	Byte	01h	00h
Bootstrap Loader Configuration	SYSBSLC	Read/write	Word	02h	0003h
	SYSBSLC_L	Read/write	Byte	02h	03h
	SYSBSLC_H	Read/write	Byte	03h	00h
JTAG Mailbox Control	SYSJMBC	Read/write	Word	06h	0000h
	SYSJMBC_L	Read/write	Byte	06h	00h
	SYSJMBC_H	Read/write	Byte	07h	00h
JTAG Mailbox Input 0	SYSJMBI0	Read/write	Word	08h	0000h
	SYSJMBI0_L	Read/write	Byte	08h	00h
	SYSJMBI0_H	Read/write	Byte	09h	00h
JTAG Mailbox Input 1	SYSJMBI1	Read/write	Word	0Ah	0000h
	SYSJMBI1_L	Read/write	Byte	0Ah	00h
	SYSJMBI1_H	Read/write	Byte	0Bh	00h
JTAG Mailbox Output 0	SYSJMBO0	Read/write	Word	0Ch	0000h
	SYSJMBO0_L	Read/write	Byte	0Ch	00h
	SYSJMBO0_H	Read/write	Byte	0Dh	00h
JTAG Mailbox Output 1	SYSJMBO1	Read/write	Word	0Eh	0000h
	SYSJMBO1_L	Read/write	Byte	0Eh	00h
	SYSJMBO1_H	Read/write	Byte	0Fh	00h
Bus Error Vector Generator	SYSBERRIV	Read	Word	18h	0000h
User NMI Vector Generator	SYSUNIV	Read	Word	1Ah	0000h
System NMI Vector Generator	SYSSNIV	Read	Word	1Ch	0000h
Reset Vector Generator	SYSRSTIV	Read	Word	1Eh	0002h



**SYS Control Register (SYSCTL)**

15	14	13	12	11	10	9	8
7	6	5	4	3	2	1	0
<b>Reserved</b>	<b>Reserved</b>	<b>Reserved</b>	<b>Reserved</b>	<b>Reserved</b>	<b>Reserved</b>	<b>Reserved</b>	<b>Reserved</b>
r0	r0	r0	r0	r0	r0	r0	r0
7	6	5	4	3	2	1	0
<b>Reserved</b>	<b>Reserved</b>	<b>SYSJTAGPIN</b>	<b>SYSBSLIND</b>	<b>Reserved</b>	<b>SYSPMMPE</b>	<b>Reserved</b>	<b>SYSRIVECT</b>
r0	r0	rw-[0]	r-0	r0	rw-[0]	r0	rw-[0]

<b>Reserved</b>	Bits 15-8	Reserved. Reads back 0.
<b>SYSJTAGPIN</b>	Bit 5	Dedicated JTAG pins enable. Setting this bit disables the shared functionality of the JTAG pins and permanently enables the JTAG function. This bit can only be set once. Once it is set it remains set until a BOR occurs.  0 Shared JTAG pins (JTAG mode selectable via SBW sequence) 1 Dedicated JTAG pins (explicit 4-wire JTAG mode selection)
<b>SYSBSLIND</b>	Bit 4	TCK/RST entry BSL indication detected to allow writing a backward-compatible BSL to early '430 families. See BSL entry in Spy-Bi-Wire.  0 No BSL indication 1 BSL entry detected
<b>Reserved</b>	Bit 3	Reserved. Reads back 0.
<b>SYSPMMPE</b>	Bit 2	PMM access protect. The control register of the PMM module can be accessed by a program running ... (If this bit is set to 1, it only can be cleared again by a BOR.)  0 ... Anywhere in memory 1 ... Only from boot-code area (01B00h–01BFFh) and the protected BSL segments
<b>Reserved</b>	Bit 1	Reserved. Reads back 0.
<b>SYSRIVECT</b>	Bit 0	RAM-based interrupt vectors  0 Interrupt vectors generated with end address TOP of lower 64k flash FFFFh 1 Interrupt vectors generated with end address TOP of RAM

**Bootstrap Loader Configuration Register (SYSBSLC)**

15 7	14 6	13 5	12 4	11 3	10 2	9 1	8 0
<b>SYSBSLPE</b>	<b>SYSBSLOFF</b>	<b>Reserved</b>	<b>Reserved</b>	<b>Reserved</b>	<b>Reserved</b>	<b>Reserved</b>	<b>Reserved</b>
rw-[1]	rw-[0]	r0	r0	r0	r0	r0	r0
7	6	5	4	3	2	1	0
<b>Reserved</b>	<b>Reserved</b>	<b>Reserved</b>	<b>Reserved</b>	<b>Reserved</b>	<b>SYSBSLR</b>	<b>SYSBSLSIZE</b>	
r0	r0	r0	r0	r0	rw-[0]	rw-[1]	rw-[1]

<b>SYSBSLPE</b>	Bits 15-7	<p>Bootstrap loader memory protection enable for the size covered in SYSBSLSIZE</p> <p>0 Area not protected read, program and erase of memory is possible.</p> <p>1 Area protected</p>
<b>SYSBSLOFF</b>	Bits 14-6	<p>Bootstrap loader memory disable for the size covered in SYSBSLSIZE</p> <p>0 BSL memory is addressed when this area is read.</p> <p>1 BSL memory behaves like vacant memory.</p>
<b>Reserved</b>	Bits 13-3	Reserved. Reads back 0.
<b>SYSBSLR</b>	Bit 2	<p>RAM assigned to BSL</p> <p>0 No RAM assigned to BSL area</p> <p>1 Lowest 16 bytes of RAM assigned to BSL</p>
<b>SYSBSLSIZE</b>	Bits 1-0	<p><b>Bootstrap loader size.</b> Defines the space and size of flash that is reserved for the BSL.</p> <p>00 Size: 512B BSL_SEG_3</p> <p>01 Size: 1024B BSL_SEG_2,3</p> <p>10 Size: 1536B BSL_SEG_1,2,3</p> <p>11 Size: 2048B BSL_SEG_0,1,2,3 (<b>value after BOR</b>)</p>

**JTAG Mailbox Control Register (SYSJMBC)**

15 7	14 6	13 5	12 4	11 3	10 2	9 1	8 0
<b>Reserved</b>	<b>Reserved</b>	<b>Reserved</b>	<b>Reserved</b>	<b>Reserved</b>	<b>Reserved</b>	<b>Reserved</b>	<b>Reserved</b>
r0	r0	r0	r0	r0	r0	r0	r0
7	6	5	4	3	2	1	0
<b>JMBCLR1OFF</b>	<b>JMBCLR0OFF</b>	<b>Reserved</b>	<b>JMBMODE</b>	<b>JMBOUT1FG</b>	<b>JMBOUT0FG</b>	<b>JMBIN1FG</b>	<b>JMBIN0FG</b>
rw-(0)	rw-(0)	r0	rw-0	r-(1)	r-(1)	rw-(0)	rw-(0)

<b>Reserved</b>	Bits 15-8	Reserved. Reads back 0.
<b>JMBCLR1OFF</b>	Bit 7	Incoming JTAG Mailbox 1 flag auto-clear disable 0 JMBIN1FG cleared on read of JMB1IN register 1 JMBIN1FG cleared by SW
<b>JMBCLR0OFF</b>	Bit 6	Incoming JTAG Mailbox 0 flag auto-clear disable 0 JMBIN0FG cleared on read of JMB0IN register 1 JMBIN0FG cleared by SW
<b>Reserved</b>	Bit 5	Reserved. Reads back 0.
<b>JMBMODE</b>	Bit 4	This bit defined the operation mode of JMB for JMBIO/1 and JMBO0/1. Before switching this bit, pad and flush out any partial content to avoid data drops. 0 16-bit transfers using JMBO0 and JMBIO only 1 32-bit transfers using JMBO0/1 and JMBIO/1
<b>JMBOUT1FG</b>	Bit 3	Outgoing JTAG Mailbox 1 flag. This bit is cleared automatically when a message is written to the upper byte of JMBO1 or as word access (by the CPU, DMA,...) and is set after the message was read via JTAG. 0 JMBO1 is not ready to receive new data. 1 JMBO1 is ready to receive new data.
<b>JMBOUT0FG</b>	Bit 2	Outgoing JTAG Mailbox 0 flag. This bit is cleared automatically when a message is written to the upper byte of JMBO0 or as word access (by the CPU, DMA,...) and is set after the message was read via JTAG. 0 JMBO0 is not ready to receive new data. 1 JMBO0 is ready to receive new data.
<b>JMBIN1FG</b>	Bit 1	Incoming JTAG Mailbox 1 flag. This bit is set when a new message (provided via JTAG) is available in JMBI1. This flag is cleared automatically on read of JMBI1 when JMBCLR1OFF = 0 (auto clear mode). On JMBCLR1OFF = 1, JMBIN1FG needs to be cleared by SW. 0 JMBI1 has no new data. 1 JMBI1 has new data available.
<b>JMBIN0FG</b>	Bit 0	Incoming JTAG Mailbox 0 flag. This bit is set when a new message (provided via JTAG) is available in JMBIO. This flag is cleared automatically on read of JMBIO when JMBCLR0OFF = 0 (auto clear mode). On JMBCLR0OFF = 1, JMBIN0FG needs to be cleared by SW. 0 JMBIO has no new data. 1 JMBIO has new data available.

**JTAG Mailbox Input 0 Register (SYSJMBI0)****JTAG Mailbox Input 1 Register (SYSJMBI1)**

15	14	13	12	11	10	9	8
7	6	5	4	3	2	1	0
<b>MSGHI</b>							
r-0	r-0	r-0	r-0	r-0	r-0	r-0	r-0
7	6	5	4	3	2	1	0
<b>MSGLO</b>							
r-0	r-0	r-0	r-0	r-0	r-0	r-0	r-0

**MSGHI** Bits 15-8 JTAG mailbox incoming message high byte**MSGLO** Bits 7-0 JTAG mailbox incoming message low byte**JTAG Mailbox Output 0 Register (SYSJMBO0)****JTAG Mailbox Output 1 Register (SYSJMBO1)**

15	14	13	12	11	10	9	8
7	6	5	4	3	2	1	0
<b>MSGHI</b>							
rw-0	rw-0	rw-0	rw-0	rw-0	rw-0	rw-0	rw-0
7	6	5	4	3	2	1	0
<b>MSGLO</b>							
rw-0	rw-0	rw-0	rw-0	rw-0	rw-0	rw-0	rw-0

**MSGHI** Bits 15-8 JTAG mailbox outgoing message high byte**MSGLO** Bits 7-0 JTAG mailbox outgoing message low byte**User NMI Vector Register (SYSUNIV)**

15	14	13	12	11	10	9	8	
7	6	5	4	3	2	1	0	
<b>0</b>	<b>0</b>	<b>0</b>	<b>0</b>	<b>0</b>	<b>0</b>	<b>0</b>	<b>0</b>	
r0	r0	r0	r0	r0	r0	r0	r0	
7	6	5	4	3	2	1	0	
<b>0</b>	<b>0</b>	<b>0</b>	<b>SYSUNVEC</b>				<b>0</b>	<b>0</b>
r0	r0	r0	r-0	r-0	r-0	r-0	r0	

**SYSUNIV** Bits 15-0 User NMI vector. Generates a value that can be used as address offset for fast interrupt service routine handling. Writing to this register clears all pending user NMI flags.

Value	Interrupt Type
0000h	No interrupt pending
0002h	NMIIFG interrupt pending (highest priority)
0004h	OFIFG interrupt pending
0006h	ACCVIFG interrupt pending
0008h	Reserved for future extensions

**Note:** Additional events for more complex devices will be appended to this table; sources that are removed will reduce the length of this table. The vectors are expected to be accessed symbolic only with the corresponding include file of the device in use.

**System NMI Vector Register (SYSSNIV)**

15	14	13	12	11	10	9	8
7	6	5	4	3	2	1	0
0	0	0	0	0	0	0	0
r0	r0	r0	r0	r0	r0	r0	r0
7	6	5	4	3	2	1	0
0	0	0	SYSSNVEC				0
r0	r0	r0	r-0	r-0	r-0	r-0	r0

**SYSSNIV**

Bits 15-0

System NMI vector. Generates a value that can be used as address offset for fast interrupt service routine handling. Writing to this register clears all pending system NMI flags.

Value	Interrupt Type
0000h	No interrupt pending
0002h	SVMLIFG interrupt pending (highest priority)
0004h	SVMHIFG interrupt pending
0006h	SVSMLDLYIFG interrupt pending
0008h	SVSMHDLYIFG interrupt pending
000Ah	VMAIFG interrupt pending
000Ch	JMBINIFG interrupt pending
000Eh	JMBOUTIFG interrupt pending
0010h	SVMLVLRIFG interrupt pending
0012h	SVMHVLRFIFG interrupt pending
0014h	Reserved for future extensions

**Note:** Additional events for more complex devices will be appended to this table; sources that are removed will reduce the length of this table. The vectors are expected to be accessed symbolic only with the corresponding include file of the used device.

**Reset Interrupt Vector Register (SYSRSTIV)**

15	14	13	12	11	10	9	8
7	6	5	4	3	2	1	0
<b>0</b>	<b>0</b>	<b>0</b>	<b>0</b>	<b>0</b>	<b>0</b>	<b>0</b>	<b>0</b>
r0	r0	r0	r0	r0	r0	r0	r0
7	6	5	4	3	2	1	0
<b>0</b>	<b>0</b>	<b>SYSRSTVEC</b>				<b>0</b>	
r0	r0	r-0	r-0	r-0	r-0	r-0	r0

**SYSRSTIV**

Bits 15-0

Reset interrupt vector. Generates a value that can be used as address offset for fast interrupt service routine handling to identify the last cause of a reset (BOR, POR, PUC) . Writing to this register clears all pending reset source flags.

<b>Value</b>	<b>Interrupt Type</b>
0000h	No interrupt pending
0002h	Brownout (BOR) (highest priority)
0004h	$\overline{RST}/NMI$ (BOR)
0006h	PMMSWBOR (BOR)
0008h	Wakeup from LPM5 (BOR)
000Ah	Security violation (BOR)
000Ch	SVSL (POR)
000Eh	SVSH (POR)
0010h	SVML_OVP (POR)
0012h	SVMH_OVP (POR)
0014h	PMMSWPOR (POR)
0016h	WDT time out (PUC)
0018h	WDT key violation (PUC)
001Ah	KEYV flash key violation (PUC)
001Ch	PLL unlock (PUC)
001Eh	PERF peripheral/configuration area fetch (PUC)
0020h	PMM key violation (PUC)
0022h-003Eh	Reserved for future extensions

---

**Note:** Additional events for more complex devices will be appended to this table; sources that are removed will reduce the length of this table. The vectors are expected to be accessed symbolic only with the corresponding include file of the used device.

---


**System Bus Error Interrupt Vector Register (SYSBERRIV)**

15	14	13	12	11	10	9	8
7	6	5	4	3	2	1	0
0	0	0	0	0	0	0	0
r0	r0	r0	r0	r0	r0	r0	r0
7	6	5	4	3	2	1	0
0	0	0	SYSBERRIV				0
r0	r0	r0	r-0	r-0	r-0	r-0	r0

**SYSBERRIV**

Bits 15-0

System bus error interrupt vector. Generates a value that can be used as an address offset for fast interrupt service routine handling. Writing to this register clears all pending flags.

Value	Interrupt Type
0000h	No interrupt pending
0002h	USB module timed out. Wait state time out of 8 clock cycles. 16 clock cycles only on the 'F552x, 'F551x devices.
0004h	Reserved for future extensions
0006h	Reserved for future extensions
0008h	Reserved for future extensions

**Note:** Additional events for more complex devices will be appended to this table; sources that are removed will reduce the length of this table. The vectors are expected to be accessed symbolic only with the corresponding include file of the used device.







## Watchdog Timer (WDT\_A)

---

---

---

The watchdog timer is a 32-bit timer that can be used as a watchdog or as an interval timer. This chapter describes the watchdog timer. The enhanced watchdog timer, WDT\_A, is implemented in all devices.

Topic	Page
2.1 WDT_A Introduction .....	58
2.2 WDT_A Operation .....	60
2.3 WDT_A Registers .....	62

## 2.1 WDT\_A Introduction

The primary function of the watchdog timer (WDT\_A) module is to perform a controlled system restart after a software problem occurs. If the selected time interval expires, a system reset is generated. If the watchdog function is not needed in an application, the module can be configured as an interval timer and can generate interrupts at selected time intervals.

Features of the watchdog timer module include:

- Eight software-selectable time intervals
- Watchdog mode
- Interval mode
- Password-protected access to Watchdog Timer Control ( WDTCTL) register
- Selectable clock source
- Can be stopped to conserve power
- Clock fail-safe feature

The watchdog timer block diagram is shown in [Figure 2-1](#).

---

**Note:** Watchdog timer powers up active.

After a PUC, the WDT\_A module is automatically configured in the watchdog mode with an initial ~32-ms reset interval using the SMCLK. The user must setup or halt the WDT\_A prior to the expiration of the initial reset interval.

---

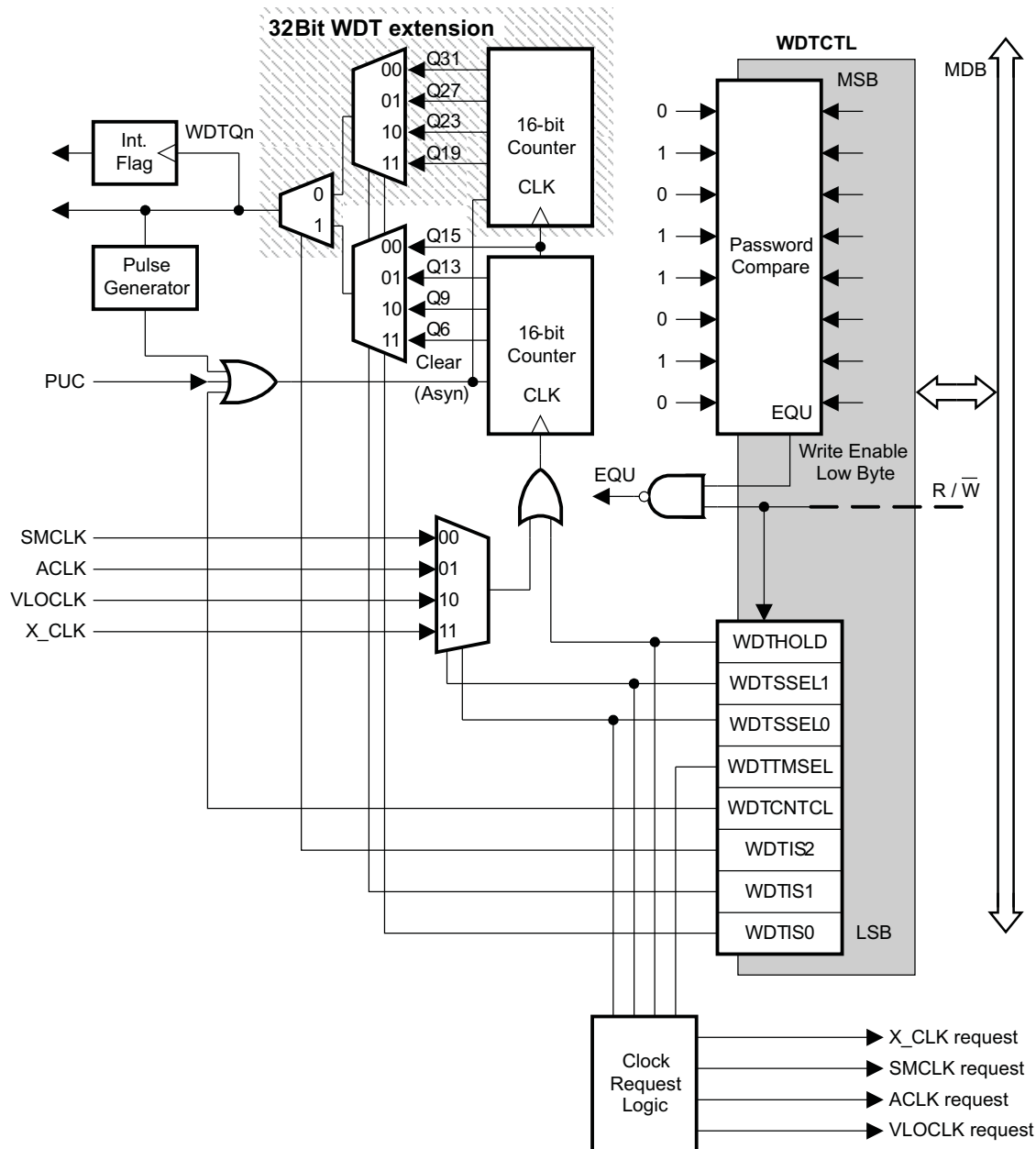


Figure 2-1. Watchdog Timer Block Diagram

## 2.2 WDT\_A Operation

The watchdog timer module can be configured as either a watchdog or interval timer with the WDTCTL register. WDTCTL is a 16-bit password-protected read/write register. Any read or write access must use word instructions and write accesses must include the write password 05Ah in the upper byte. Any write to WDTCTL with any value other than 05Ah in the upper byte is a security key violation and triggers a PUC system reset, regardless of timer mode. Any read of WDTCTL reads 069h in the upper byte. Byte reads on WDTCTL high or low part result in the value of the low byte. Writing byte wide to upper or lower parts of WDTCTL results in a PUC.

### 2.2.1 Watchdog Timer Counter (WDTCNT)

The WDTCNT is a 32-bit up counter that is not directly accessible by software. The WDTCNT is controlled and its time intervals are selected through the Watchdog Timer Control (WDTCTL) register. The WDTCNT can be sourced from SMCLK, ACLK, VLOCLK, and X\_CLK on some devices. The clock source is selected with the WDTSSSEL bits. The timer interval is selected with the WDTIS bits.

### 2.2.2 Watchdog Mode

After a PUC condition, the WDT module is configured in the watchdog mode with an initial ~32-ms reset interval using the SMCLK. The user must setup, halt, or clear the watchdog timer prior to the expiration of the initial reset interval or another PUC is generated. When the watchdog timer is configured to operate in watchdog mode, either writing to WDTCTL with an incorrect password, or expiration of the selected time interval triggers a PUC. A PUC resets the watchdog timer to its default condition.

### 2.2.3 Interval Timer Mode

Setting the WDTTMSSEL bit to 1 selects the interval timer mode. This mode can be used to provide periodic interrupts. In interval timer mode, the WDTIFG flag is set at the expiration of the selected time interval. A PUC is not generated in interval timer mode at expiration of the selected timer interval, and the WDTIFG enable bit WDTIE remains unchanged.

When the WDTIE bit and the GIE bit are set, the WDTIFG flag requests an interrupt. The WDTIFG interrupt flag is automatically reset when its interrupt request is serviced, or may be reset by software. The interrupt vector address in interval timer mode is different from that in watchdog mode.

---

**Note: Modifying the watchdog timer**

The watchdog timer interval should be changed together with WDTCNTCL = 1 in a single instruction to avoid an unexpected immediate PUC or interrupt. The watchdog timer should be halted before changing the clock source to avoid a possible incorrect interval.

---

### 2.2.4 Watchdog Timer Interrupts

The watchdog timer uses two bits in the SFRs for interrupt control:

- WDT interrupt flag, WDTIFG, located in SFRIFG1.0
- WDT interrupt enable, WDTIE, located in SFRIFG1.0

When using the watchdog timer in the watchdog mode, the WDTIFG flag sources a reset vector interrupt. The WDTIFG can be used by the reset interrupt service routine to determine if the watchdog caused the device to reset. If the flag is set, the watchdog timer initiated the reset condition, either by timing out or by a security key violation. If WDTIFG is cleared, the reset was caused by a different source.

When using the watchdog timer in interval timer mode, the WDTIFG flag is set after the selected time interval and requests a watchdog timer interval timer interrupt if the WDTIE and the GIE bits are set. The interval timer interrupt vector is different from the reset vector used in watchdog mode. In interval timer mode, the WDTIFG flag is reset automatically when the interrupt is serviced, or can be reset with software.

### 2.2.5 Clock Fail-Safe Feature

The WDT\_A provides a fail-safe clocking feature, ensuring the clock to the WDT\_A cannot be disabled while in watchdog mode. This means the low-power modes may be affected by the choice for the WDT\_A clock.

If SMCLK or ACLK fails as the WDT\_A clock source, VLOCLK is automatically selected as the WDT\_A clock source.

When the WDT\_A module is used in interval timer mode, there is no fail-safe feature within WDT\_A for the clock source.

### 2.2.6 Operation in Low-Power Modes

The devices have several low-power modes. Different clock signals are available in different low-power modes. The requirements of the application and the type of clocking that is used determine how the WDT\_A should be configured. For example, the WDT\_A should not be configured in watchdog mode with a clock source that is originally sourced from DCO, XT1 in high-frequency mode, or XT2 via SMCLK or ACLK if the user wants to use low-power mode 3. In this case, SMCLK or ACLK would remain enabled, increasing the current consumption of LPM3. When the watchdog timer is not required, the WDT\_HOLD bit can be used to hold the WDT\_CNT, reducing power consumption.

### 2.2.7 Software Examples

Any write operation to WDT\_CTL must be a word operation with 05Ah (WDT\_PW) in the upper byte:

```

; Periodically clear an active watchdog
MOV #WDT_PW+WDT_CNTCL,&WDT_CTL
;
; Change watchdog timer interval
MOV #WDT_PW+WDT_CNTCL+SSEL,&WDT_CTL
;
; Stop the watchdog
MOV #WDT_PW+WDT_HOLD,&WDT_CTL
;
; Change WDT to interval timer mode, clock/8192 interval
MOV #WDT_PW+WDT_CNTCL+WDT_TMSEL+WDT_IS2+WDT_IS0,&WDT_CTL

```

## 2.3 WDT\_A Registers

The watchdog timer module registers are listed in [Table 2-1](#). The base register or the watchdog timer module registers and special function registers (SFRs) can be found in device-specific data sheets. The address offset is given in [Table 2-1](#).

---

**Note:** All registers have word or byte register access. For a generic register *ANYREG*, the suffix "\_L" (*ANYREG\_L*) refers to the lower byte of the register (bits 0 through 7). The suffix "\_H" (*ANYREG\_H*) refers to the upper byte of the register (bits 8 through 15).

---

**Table 2-1. Watchdog Timer Registers**

Register	Short Form	Register Type	Register Access	Address Offset	Initial State
Watchdog Timer Control	WDTCTL	Read/write	Word	0Ch	6904h
	WDTCTL_L	Read/write	Byte	0Ch	04h
	WDTCTL_H	Read/write	Byte	0Dh	69h

**Watchdog Timer Control Register (WDTCTL)**

15	14	13	12	11	10	9	8
7	6	5	4	3	2	1	0

**Read as 069h**  
**WDTPW, must be written as 05Ah**

7	6	5	4	3	2	1	0
<b>WDTHOLD</b>	<b>WDTSEL</b>	<b>WDTMSEL</b>	<b>WDCNTCL</b>	<b>WDTIS</b>			
rw-0	rw-0	rw-0	rw-0	r0(w)	rw-1	rw-0	rw-0

<b>WDTPW</b>	Bits 15-8	Watchdog timer password. Always read as 069h. Must be written as 05Ah, or a PUC is generated.
<b>WDTHOLD</b>	Bit 7	Watchdog timer hold. This bit stops the watchdog timer. Setting WDTHOLD = 1 when the WDT is not in use conserves power. 0 Watchdog timer is not stopped. 1 Watchdog timer is stopped.
<b>WDTSEL</b>	Bits 6-5	Watchdog timer clock source select 00 SMCLK 01 ACLK 10 VLOCLK 11 X_CLK , same as VLOCLK if not defined differently in data sheet
<b>WDTMSEL</b>	Bit 4	Watchdog timer mode select 0 Watchdog mode 1 Interval timer mode
<b>WDCNTCL</b>	Bit 3	Watchdog timer counter clear. Setting WDCNTCL = 1 clears the count value to 0000h. WDCNTCL is automatically reset. 0 No action 1 WDCNT = 0000h
<b>WDTIS</b>	Bits 2-0	Watchdog timer interval select. These bits select the watchdog timer interval to set the WDTIFG flag and/or generate a PUC. 000 Watchdog clock source /2G (18:12:16 at 32 kHz) 001 Watchdog clock source /128M (01:08:16 at 32 kHz) 010 Watchdog clock source /8192k (00:04:16 at 32 kHz) 011 Watchdog clock source /512k (00:00:16 at 32 kHz) 100 Watchdog clock source /32k (1 s at 32 kHz) 101 Watchdog clock source /8192 (250 ms at 32 kHz) 110 Watchdog clock source /512 (15,6 ms at 32 kHz) 111 Watchdog clock source /64 (1.95 ms at 32 kHz)





## ***Unified Clock System (UCS)***

---

---

---

The Unified Clock System (UCS) module provides the various clocks for a device. This chapter describes the operation of the UCS module, which is implemented in all devices.

<b>Topic</b>	<b>Page</b>
<b>3.1 Unified Clock System (UCS) Introduction.....</b>	<b>66</b>
<b>3.2 UCS Operation.....</b>	<b>68</b>
<b>3.3 Module Oscillator (MODOSC) .....</b>	<b>77</b>
<b>3.4 UCS Module Registers.....</b>	<b>78</b>

### 3.1 Unified Clock System (UCS) Introduction

The UCS module supports low system cost and ultralow power consumption. Using three internal clock signals, the user can select the best balance of performance and low power consumption. The UCS module can be configured to operate without any external components, with one or two external crystals, or with resonators, under full software control.

The UCS module includes up to five clock sources:

- XT1CLK: Low-frequency oscillator that can be used with low-frequency 32768-Hz watch crystals
- VLOCLK: Internal very low power, low frequency oscillator with 10 kHz typical frequency
- REFOCLK: Internal, trimmed, low-frequency oscillator with 32768 Hz typical frequency, with the ability to be used as a clock reference into the FLL
- DCOCLK: Internal digitally-controlled oscillator (DCO) that can be stabilized by the FLL
- XT2CLK: RF XT2 oscillator required for radio functionality

Three clock signals are available from the UCS module:

- ACLK: Auxiliary clock. The ACLK is software selectable as XT1CLK, REFOCLK, VLOCLK, DCOCLK, DCOCLKDIV, and when available, XT2CLK. DCOCLKDIV is the DCOCLK frequency divided by 1, 2, 4, 8, 16, or 32 within the FLL block. ACLK can be divided by 1, 2, 4, 8, 16, or 32. ACLK/n is ACLK divided by 1, 2, 4, 8, 16, or 32 and is available externally at a pin. ACLK is software selectable by individual peripheral modules.
- MCLK: Master clock. MCLK is software selectable as XT1CLK, REFOCLK, VLOCLK, DCOCLK, DCOCLKDIV, and XT2CLK. DCOCLKDIV is the DCOCLK frequency divided by 1, 2, 4, 8, 16, or 32 within the FLL block. MCLK can be divided by 1, 2, 4, 8, 16, or 32. MCLK is used by the CPU and system.
- SMCLK: Subsystem master clock. SMCLK is software selectable as XT1CLK, REFOCLK, VLOCLK, DCOCLK, DCOCLKDIV, and XT2CLK. DCOCLKDIV is the DCOCLK frequency divided by 1, 2, 4, 8, 16, or 32 within the FLL block. SMCLK can be divided by 1, 2, 4, 8, 16, or 32. SMCLK is software selectable by individual peripheral modules.

The block diagram of the UCS module is shown in [Figure 3-1](#).

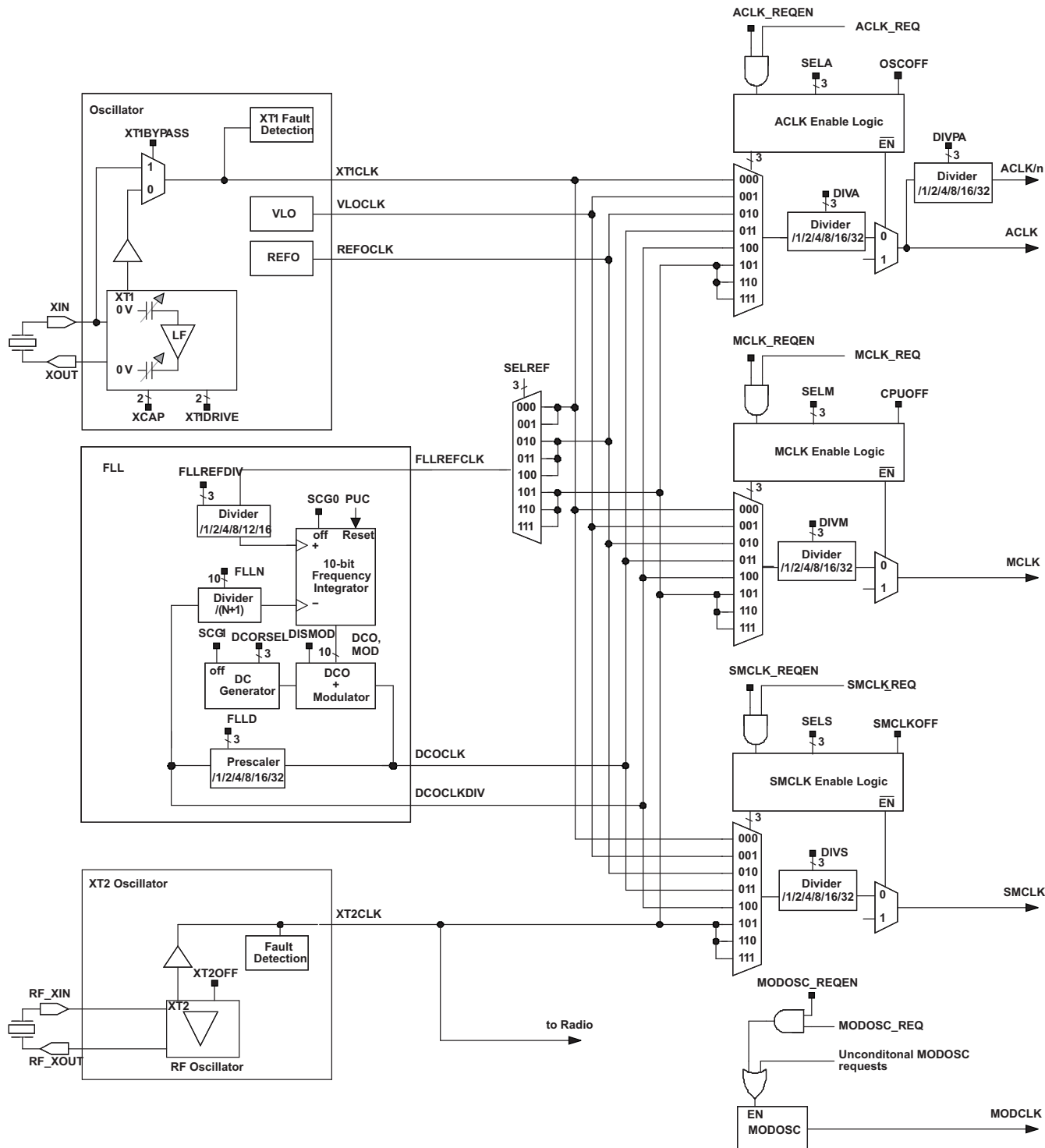


Figure 3-1. UCS Block Diagram

## 3.2 UCS Operation

After a PUC, the UCS module default configuration is:

- XT1 is selected as the oscillator source for XT1CLK. XT1CLK is selected for ACLK.
- DCOCLKDIV is selected for MCLK.
- DCOCLKDIV is selected for SMCLK.
- FLL operation is enabled and XT1CLK is selected as the FLL reference clock, FLLREFCLK.
- XIN and XOUT pins are set to general-purpose I/Os and XT1 remains disabled until the I/O ports are configured for XT1 operation.
- RF oscillator sourcing XT2CLK disabled.

As previously stated, FLL operation with XT1 is selected by default, but XT1 is disabled. The crystal pins (XIN, XOUT) are shared with general-purpose I/Os. To enable XT1, the PSEL bits associated with the crystal pins must be set. When a 32,768 Hz crystal is used for XT1CLK, the fault control logic immediately causes ACLK to be sourced by the REFOCLK, because XT1 is not stable immediately (see [Section 3.2.12](#)). Once crystal startup is obtained and settled, the FLL stabilizes MCLK and SMCLK to 1.048576 MHz and  $f_{DCO} = 2.097152$  MHz.

Status register control bits (SCG0, SCG1, OSCOFF, and CPUOFF) configure the MSP430 operating modes and enable or disable portions of the UCS module (see System Resets, Interrupts, and Operating Modes chapter). Registers UCSCTL0 through UCSCTL8, configure the UCS module.

The UCS module can be configured or reconfigured by software at any time during program execution.

### 3.2.1 UCS Module Features for Low-Power Applications

Conflicting requirements typically exist in battery-powered applications:

- Low clock frequency for energy conservation and time keeping
- High clock frequency for fast response times and fast burst processing capabilities
- Clock stability over operating temperature and supply voltage
- Low-cost applications with less-constrained clock accuracy requirements

The UCS module addresses these conflicting requirements by allowing the user to select from the three available clock signals: ACLK, MCLK, and SMCLK.

All three available clock signals can be sourced via any of the available clock sources (XT1CLK, VLOCLK, REFOCLK, DCOCLK, DCOCLKDIV, or XT2CLK), giving complete flexibility in the system clock configuration. A flexible clock distribution and divider system is provided to fine tune the individual clock requirements.

### 3.2.2 Internal Very-Low-Power Low-Frequency Oscillator (VLO)

The internal VLO provides a typical frequency of 10 kHz (see device-specific data sheet for parameters) without requiring a crystal. The VLO provides for a low-cost ultralow-power clock source for applications that do not require an accurate time base.

The VLO is enabled when it is used to source ACLK, MCLK, or SMCLK (SELA = {1} or SELM = {1} or SELS = {1}).

### 3.2.3 Internal Trimmed Low-Frequency Reference Oscillator (REFO)

The internal trimmed low-frequency REFO can be used for cost-sensitive applications where a crystal is not required or desired. REFO is internally trimmed to 32.768 kHz typical and provides for a stable reference frequency that can be used as FLLREFCLK. REFO, combined with the FLL, provides for a flexible range of system clock settings without the need for a crystal. REFO consumes no power when not being used.

REFO is enabled under any of the following conditions:

- REFO is a source for ACLK (SELA = {2}) and in active mode (AM) through LPM3 (OSCOFF = 0)
- REFO is a source for MCLK (SELM = {2}) and in active mode (AM) (CPUOFF = 0)
- REFO is a source for SMCLK (SELS = {2}) and in active mode (AM) through LPM1 (SMCLKOFF = 0)
- REFO is a source for FLLREFCLK (SELREF = {2}) and the DCO is a source for ACLK (SELA = {3,4}) and in active mode (AM) through LPM3 (OSCOFF = 0)
- REFO is a source for FLLREFCLK (SELREF = {2}) and the DCO is a source for MCLK (SELM = {3,4}) and in active mode (AM) (CPUOFF = 0)
- REFO is a source for FLLREFCLK (SELREF = {2}) and the DCO is a source for SMCLK (SELS = {3,4}) and in active mode (AM) through LPM1 (SMCLKOFF = 0)

### 3.2.4 XT1 Oscillator

The XT1 oscillator supports ultralow-current consumption using a 32,768 Hz watch crystal. A watch crystal connects to XIN and XOUT without any other external components. The software-selectable XCAP bits configure the internally provided load capacitance for the XT1 crystal in LF mode. This capacitance can be selected as 2 pF, 6 pF, 9 pF, or 12 pF (typical). Additional external capacitors can be added if necessary.

The drive settings of XT1 can be increased with the XT1DRIVE bits. At power up, the XT1 starts with the highest drive settings for fast, reliable startup. If needed, user software can reduce the drive strength to further reduce power.

XT1 may be used with an external clock signal on the XIN pin in either LF or HF mode by setting XT1BYPASS. When used with an external signal, the external frequency must meet the data sheet parameters for the chosen mode. XT1 is powered down when used in bypass mode.

The XT1 pins are shared with general-purpose I/O ports. At power up, the default operation is XT1. However, XT1 remains disabled until the ports shared with XT1 are configured for XT1 operation. The configuration of the shared I/O is determined by the PSEL bit associated with XIN and the XT1BYPASS bit. Setting the PSEL bit causes the XIN and XOUT ports to be configured for XT1 operation. If XT1BYPASS is also set, XT1 is configured for bypass mode of operation, and the oscillator associated with XT1 is powered down. In bypass mode of operation, XIN can accept an external clock input signal and XOUT is configured as a general-purpose I/O. The PSEL bit associated with XOUT is a don't care.

If the PSEL bit associated with XIN is cleared, both XIN and XOUT ports are configured as general-purpose I/Os, and XT1 is disabled.

XT1 is enabled under any of the following conditions:

- XT1 is a source for ACLK (SELA = {0}) and in active mode (AM) through LPM3 (OSCOFF = 0)
- XT1 is a source for MCLK (SELM = {0}) and in active mode (AM) (CPUOFF = 0)
- XT1 is a source for SMCLK (SELS = {0}) and in active mode (AM) through LPM1 (SMCLKOFF = 0)
- XT1 is a source for FLLREFCLK (SELREF = {0}) and the DCO is a source for ACLK (SELA = {3,4}) and in active mode (AM) through LPM3 (OSCOFF = 0)
- XT1 is a source for FLLREFCLK (SELREF = {0}) and the DCO is a source for MCLK (SELM = {3,4}) and in active mode (AM) (CPUOFF = 0)
- XT1 is a source for FLLREFCLK (SELREF = {0}) and the DCO is a source for SMCLK (SELS = {3,4}) and in active mode (AM) through LPM1 (SMCLKOFF = 0)
- XT1OFF = 0. XT1 enabled in active mode (AM) through LPM4.

### 3.2.5 RF XT2 Oscillator

The RF XT2 oscillator's main purpose is to provide a reference clock to the on-chip radio module. But it also sources XT2CLK and XT2CLK can be used to source ACLK, MCLK, SMCLK or FLLREFCLK.

The RF oscillator is enabled if used by the radio i.e. the radio module is not in its sleep state. With XT2OFF = 0 the RF oscillator is permanently enabled even if the radio is in sleep mode. With RFOSCOFF = 1 the RF oscillator is disabled when the radio enters sleep mode. When the RF oscillator is disabled the corresponding fault flag RFOFFG is set and if the RF oscillator is selected to source ACLK, MCLK, SMCLK or FLLREFCLK the corresponding fail-safe mechanism takes over.

### 3.2.6 Digitally-Controlled Oscillator (DCO)

The DCO is an integrated digitally controlled oscillator. The DCO frequency can be adjusted by software using the DCORSEL, DCO, and MOD bits. The DCO frequency can be optionally stabilized by the FLL to a multiple frequency of FLLREFCLK/n. The FLL can accept different reference sources selectable via the SELREF bits. Reference sources include XT1CLK, REFOCLK, or XT2CLK. The value of n is defined by the FLLREFDIV bits (n = 1, 2, 4, 8, 12, or 16). The default is n = 1. There may be scenarios, where FLL operation is not required or desired, therefore no FLLREFCLK is necessary. This can be accomplished by setting SELREF = {7}.

The FLLD bits configure the FLL prescaler divider value D to 1, 2, 4, 8, 16, or 32. By default, D = 2, and MCLK and SMCLK are sourced from DCOCLKDIV, providing a clock frequency DCOCLK/2.

The divider (N + 1) and the divider value D define the DCOCLK and DCOCLKDIV frequencies, where N > 0. Writing N = 0 causes the divider to be set to 2.

$$f_{\text{DCOCLK}} = D \times (N + 1) \times (f_{\text{FLLREFCLK}} \div n)$$

$$f_{\text{DCOCLKDIV}} = (N + 1) \times (f_{\text{FLLREFCLK}} \div n)$$

### Adjusting DCO Frequency

By default, FLL operation is enabled. FLL operation can be disabled by setting SCG0 or SCG1. Once disabled, the DCO continues to operate at the current settings defined in UCSCTL0 and UCSCTL1. The DCO frequency can be adjusted manually if desired. Otherwise, the DCO frequency is stabilized by the FLL operation.

After a PUC, DCORSEL = {2} and DCO = {0}. MCLK and SMCLK are sourced from DCOCLKDIV. Because the CPU executes code from MCLK, which is sourced from the fast-starting DCO, code execution begins from PUC in less than 5  $\mu$ s.

The frequency of DCOCLK is set by the following functions:

- The three DCORSEL bits select one of eight nominal frequency ranges for the DCO. These ranges are defined for an individual device in the device-specific data sheet.
- The five DCO bits divide the DCO range selected by the DCORSEL bits into 32 frequency steps, separated by approximately 8%.
- The five MOD bits switch between the frequency selected by the DCO bits and the next-higher frequency set by {DCO + 1}. When DCO = {31}, the MOD bits have no effect, because the DCO is already at the highest setting for the selected DCORSEL range.

### 3.2.7 Frequency Locked Loop (FLL)

The FLL continuously counts up or down a frequency integrator. The output of the frequency integrator that drives the DCO can be read in UCSCTL0, UCSCTL1 (bits MOD and DCO). The count is adjusted +1 with the frequency  $f_{\text{FLLREFCLK}}/n$  (n = 1, 2, 4, 8, 12, or 16) or -1 with the frequency  $f_{\text{DCOCLK}}/[D \times (N+1)]$ .

**Note: Reading MOD and DCO bits**

The integrator is updated via the DCOCLK, which may differ in frequency of operation of MCLK. It is possible that immediate reads of a previously written value are not visible to the user since the update to the integrator has not occurred. This is normal. Once the integrator is updated at the next successive DCOCLK, the correct value can be read.

In addition, since the MCLK can be asynchronous to the integrator updates, reading the values may cause a corrupted value to be read under this condition. In this case, a majority vote method should be performed.

Five of the integrator bits (UCSCTL0 bits 12 to 8) set the DCO frequency tap. Thirty-two taps are implemented for the DCO, and each is approximately 8% higher than the previous. The modulator mixes two adjacent DCO frequencies to produce fractional taps.

For a given DCO bias range setting, time must be allowed for the DCO to settle on the proper tap for normal operation.  $(n \times 32) f_{FLLREFCLK}$  cycles are required between taps requiring a worst case of  $(n \times 32 \times 32) f_{FLLREFCLK}$  cycles for the DCO to settle. The value n is defined by the FLLREFDIV bits (n = 1, 2, 4, 8, 12, or 16).

**3.2.8 DCO Modulator**

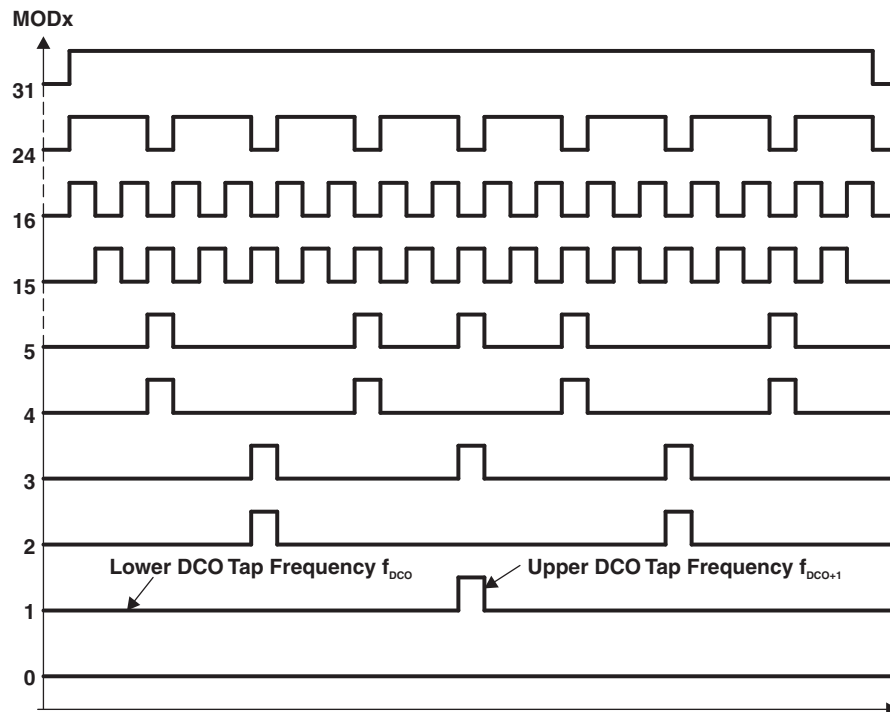
The modulator mixes two DCO frequencies,  $f_{DCO}$  and  $f_{DCO+1}$  to produce an intermediate effective frequency between  $f_{DCO}$  and  $f_{DCO+1}$  and spread the clock energy, reducing electromagnetic interference (EMI). The modulator mixes  $f_{DCO}$  and  $f_{DCO+1}$  for 32 DCOCLK clock cycles and is configured with the MOD bits. When MOD = {0}, the modulator is off.

The modulator mixing formula is:

$$t = (32 - MOD) \times t_{DCO} + MOD \times t_{DCO+1}$$

Figure 3-2 shows the modulator operation.

When FLL operation is enabled, the modulator settings and DCO are controlled by the FLL hardware. If FLL operation is not desired, the modulator settings and DCO control can be configured with software.



**Figure 3-2. Modulator Patterns**

### 3.2.9 Disabling FLL Hardware and Modulator

The FLL is disabled when the status register bits SCG0 or SCG1 are set. When the FLL is disabled, the DCO runs at the previously selected tap and DCOCLK is not automatically stabilized.

The DCO modulator is disabled when DISMOD is set. When the DCO modulator is disabled, the DCOCLK is adjusted to the DCO tap selected by the DCO bits.

---

**Note: DCO operation without FLL**

When the FLL operation is disabled, the DCO continues to operate at the current settings. Because it is not stabilized by the FLL, temperature and voltage variations influence the frequency of operation. See the device-specific data sheet for voltage and temperature coefficients to ensure reliable operation.

---

#### 3.2.10 FLL Operation From Low-Power Modes

An interrupt service request clears SCG1, CPUOFF, and OSCOFF if set, but does not clear SCG0. This means that for FLL operation from within an interrupt service routine entered from LPM1, 2, 3, or 4, the FLL remains disabled and the DCO operates at the previous setting as defined in UCSCTL0 and UCSCTL1. SCG0 can be cleared by user software if FLL operation is required.

#### 3.2.11 Operation From Low-Power Modes, Requested by Peripheral Modules

A peripheral module requests its clock sources automatically from the UCS module if required for its proper operation, regardless of the current mode of operation, as shown in [Figure 3-3](#).

A peripheral module asserts one of three possible clock request signals based on its control bits: ACLK\_REQ, MCLK\_REQ, or SMCLK\_REQ. These request signals are based on the configuration and clock selection of the respective module. For example, if a timer selects ACLK as its clock source and the timer is enabled, the timer generates an ACLK\_REQ signal to the UCS system. The UCS, in turn, enables ACLK regardless of the LPM settings.

Any clock request from a peripheral module causes its respective clock off signal to be overridden, but does not change the setting of clock off control bit. For example, a peripheral module may require ACLK that is currently disabled by the OSCOFF bit (OSCOFF = 1). The module can request ACLK by generating an ACLK\_REQ. This causes the OSCOFF bit to have no effect, thereby allowing ACLK to be available to the requesting peripheral module. The OSCOFF bit remains at its current setting (OSCOFF = 1).

If the requested source is not active, the software NMI handler must take care of the required actions. For the previous example, if ACLK was sourced by XT1 and XT1 was not enabled, an oscillator fault condition will occur and the software must handle the event. The watchdog, due to its security requirement, actively selects the VLOCLK source if the originally selected clock source is not available.

Due to the clock request feature, care must be taken in the application when entering low power modes to save power. Although the device enters the selected low-power mode, a clock request causes more current consumption than the specified values in the data sheet.



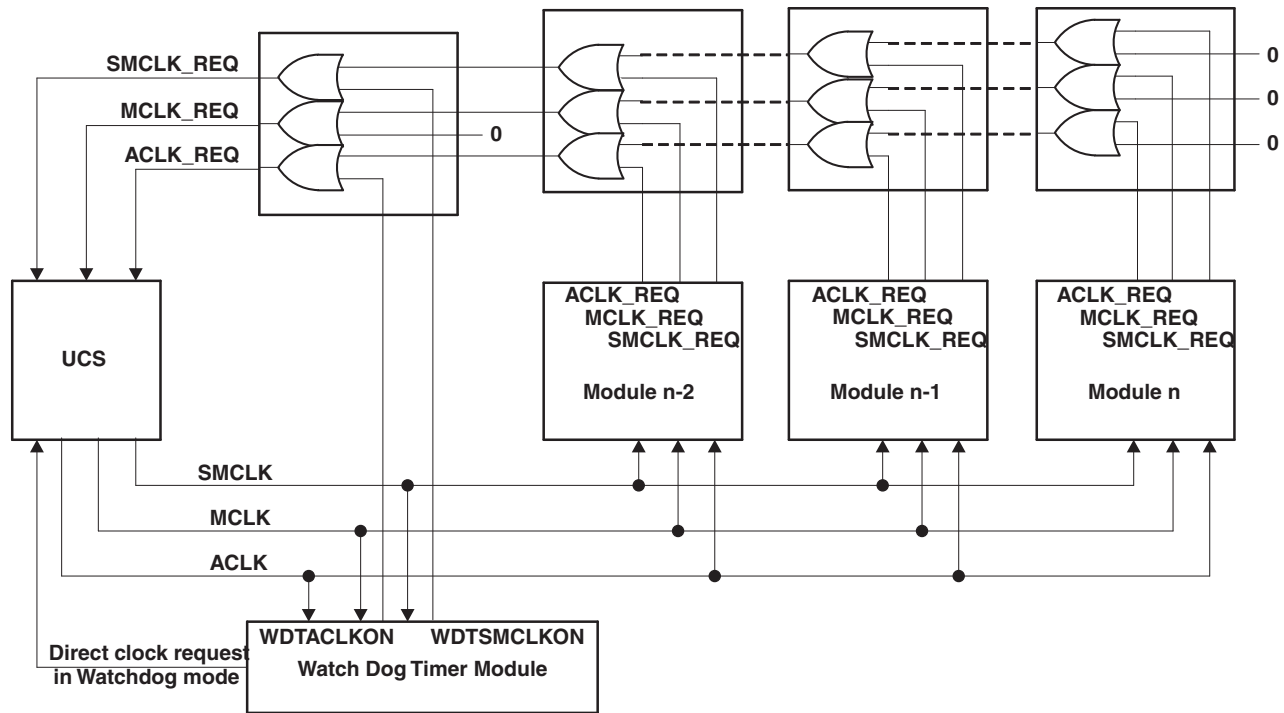


Figure 3-3. Module Request Clock System

### 3.2.12 UCS Module Fail-Safe Operation

The UCS module incorporates an oscillator-fault fail-safe feature. This feature detects an oscillator fault for XT1, DCO, and XT2 as shown in Figure 3-4. The available fault conditions are:

- Low-frequency oscillator fault (XT1LFOFFG) for XT1 in LF mode
- High-frequency oscillator fault (XT1HFOFFG) for XT1 in HF mode
- High-frequency oscillator fault (XT2OFFG) for XT2
- DCO fault flag (DCOFFG) for the DCO

The crystal oscillator fault bits XT1LFOFFG, XT1HFOFFG, and XT2OFFG are set if the corresponding crystal oscillator is turned on and not operating properly. Once set, the fault bits remain set until reset in software, regardless if the fault condition no longer exists. If the user clears the fault bits and the fault condition still exists, the fault bits are automatically set, otherwise they remain cleared.

When using XT1 operation in LF mode as the reference source into the FLL (SELREF = {0}), a crystal fault automatically causes the FLL reference source, FLLREFCLK, to be sourced by the REFO. XT1LFOFFG is set. When using XT1 operation in HF mode as the reference source into the FLL, a crystal fault causes no FLLREFCLK signal to be generated and the FLL continues to count down to zero in an attempt to lock FLLREFCLK and DCOCLK/[D × (N + 1)]. The DCO tap moves to the lowest position (DCO are cleared) and the DCOFFG is set. DCOFFG is also set if the N-multiplier value is set too high for the selected DCO frequency range, resulting in the DCO tap moving to the highest position (UCSCTL0.12 to UCSCTL0.8 are set). The DCOFFG remains set until cleared by the user. If the user clears the DCOFFG and the fault condition remains, it is automatically set, otherwise it remains cleared. XT1HFOFFG is set.

When using XT2 as the reference source into the FLL, a crystal fault causes no FLLREFCLK signal to be generated, and the FLL continues to count down to zero in an attempt to lock FLLREFCLK and DCOCLK/[D × (N + 1)]. The DCO tap moves to the lowest position (DCO are cleared) and the DCOFFG is set. DCOFFG is also set if the N-multiplier value is set too high for the selected DCO frequency range, resulting in the DCO tap moving to the highest position (UCSCTL0.12 to UCSCTL0.8 are set). The DCOFFG remains set until cleared by the user. If the user clears the DCOFFG and the fault condition remains, it is automatically set, otherwise it remains cleared. XT2OFFG is set.

The OFIFG oscillator-fault interrupt flag is set and latched at POR or when any oscillator fault (XT1LFOFFG, XT1HFOFFG, XT2OFFG, or DCOFFG) is detected. When OFIFG is set and OFIE is set, the OFIFG requests an NMI. When the interrupt is granted, the OFIE is not reset automatically as it is in previous MSP430 families. It is no longer required to reset the OFIE. NMI entry/exit circuitry removes this requirement. The OFIFG flag must be cleared by software. The source of the fault can be identified by checking the individual fault bits.

If a fault is detected for the oscillator sourcing MCLK, MCLK is automatically switched to the DCO for its clock source (DCOCLKDIV) for all clock sources except XT1 LF mode. If MCLK is sourced from XT1 in LF mode, an oscillator fault causes MCLK to be automatically switched to the REFO for its clock source (REFOCLK). This does not change the SELM bit settings. This condition must be handled by user software.

If a fault is detected for the oscillator sourcing SMCLK, SMCLK is automatically switched to the DCO for its clock source (DCOCLKDIV) for all clock sources except XT1 LF mode. If SMCLK is sourced from XT1 in LF mode, an oscillator fault causes SMCLK to be automatically switched to the REFO for its clock source (REFOCLK). This does not change the SELS bit settings. This condition must be handled by user software.

If a fault is detected for the oscillator sourcing ACLK, ACLK is automatically switched to the DCO for its clock source (DCOCLKDIV) for all clock sources except XT1 LF mode. If ACLK is sourced from XT1 in LF mode, an oscillator fault causes ACLK to be automatically switched to the REFO for its clock source (REFOCLK). This does not change the SELA bit settings. This condition must be handled by user software.

---

**Note: DCO active during oscillator fault**

DCOCLKDIV is active even at the lowest DCO tap. The clock signal is available for the CPU to execute code and service an NMI during an oscillator fault.

---

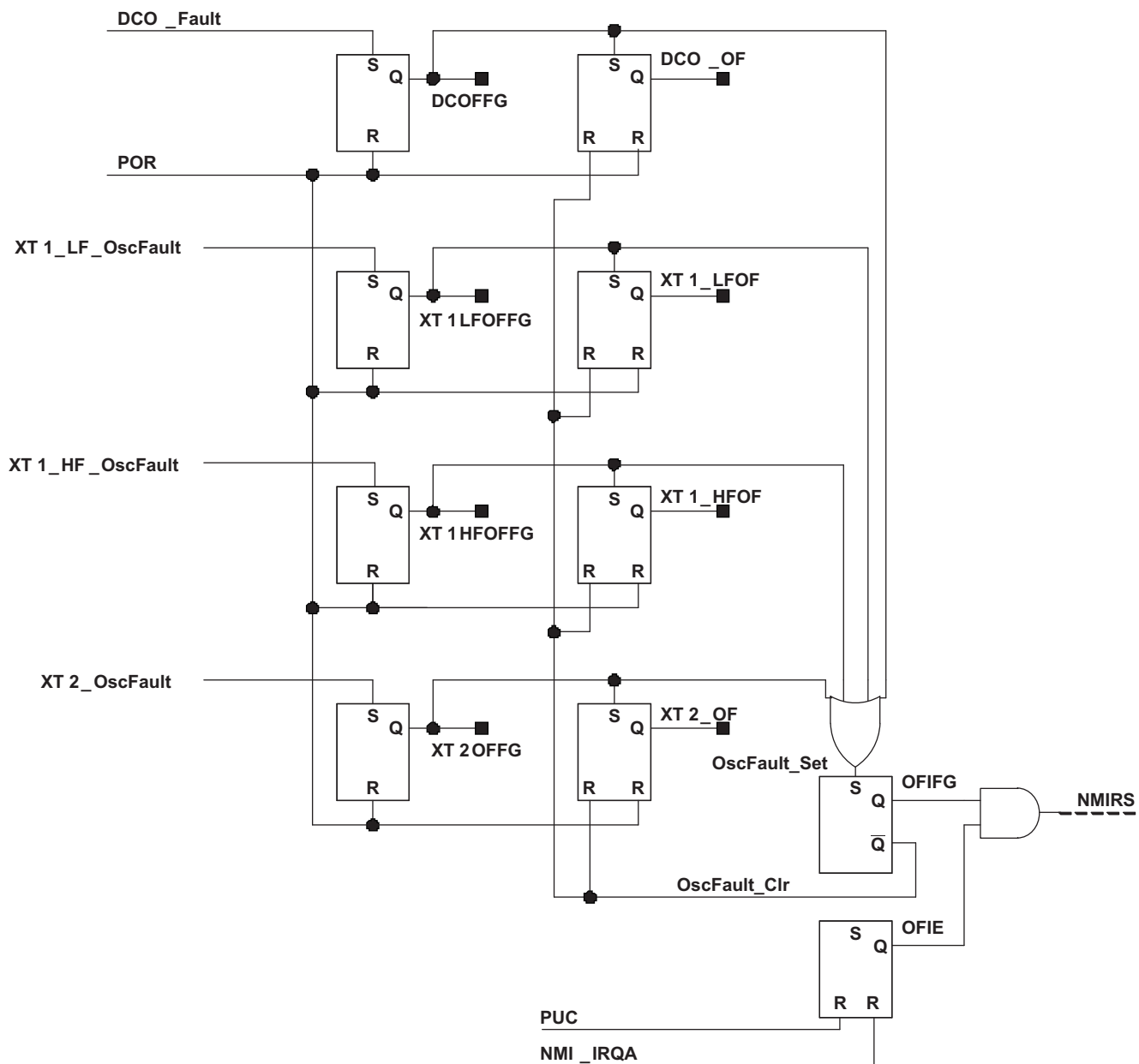


Figure 3-4. Oscillator Fault Logic

**Note: Fault conditions**

**DCO\_Fault:** DCOFFG is set if DCO bits in UCSCTL0 register value equals {0} or {31}.

**XT1\_LF\_OscFault:** This signal is set after the XT1 (LF mode) oscillator has stopped operation and cleared after operation resumes. The fault condition causes XT1LFOFFG to be set and remain set. If the user clears XT1LFOFFG and the fault condition still exists, XT1LFOFFG remains set.

**XT1\_HF\_OscFault:** This signal is set after the XT1 (HF mode) oscillator has stopped operation and cleared after operation resumes. The fault condition causes XT1HFOFFG to be set and remain set. If the user clears XT1HFOFFG and the fault condition still exists, XT1HFOFFG remains set.

**XT2\_OscFault:** This signal is set after the XT2 oscillator has stopped operation and cleared after operation resumes. The fault condition causes XT2OFFG to be set and remain set. If the user clears XT2OFFG and the fault condition still exists, XT2OFFG remains set.

**Note: Fault logic**

Please note that as long as a fault condition still exists, the OFIFG remains set. The application must take special care when clearing the OFIFG signal. If no fault condition remains when the OFIFG signal is cleared, the clock logic switches back to the original user settings prior to the fault condition.

**Note: Fault logic counters**

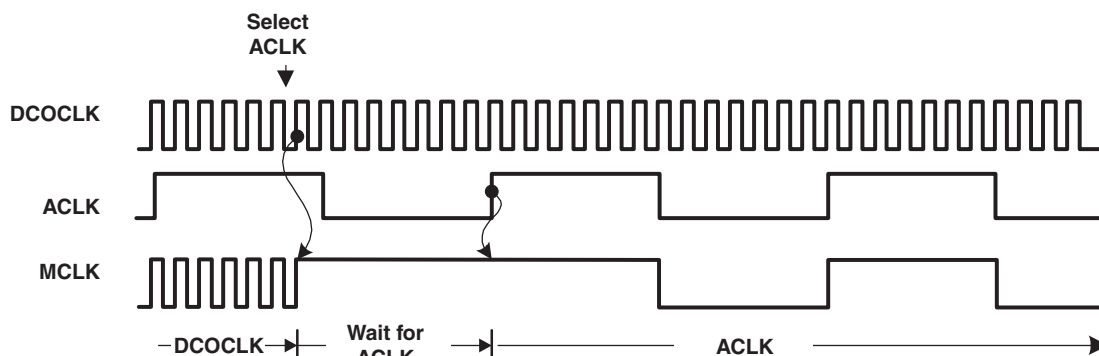
Each crystal oscillator circuit has hardware counters. These counters are reset each time a fault condition occurs on its respective oscillator, causing the fault flag to be set. The counters will begin to count after the fault condition is removed. Once the maximum count is reached, the fault flag is removed.

In XT1 LF mode, the maximum count is 8192. In XT1 HF mode (and XT2 when available), the maximum count is 1024. In bypass modes, regardless of LF or HF settings, the maximum count is 8192.

**3.2.13 Synchronization of Clock Signals**

When switching MCLK or SMCLK from one clock source to the other, the switch is synchronized to avoid critical race conditions as shown in [Figure 3-5](#):

- The current clock cycle continues until the next rising edge.
- The clock remains high until the next rising edge of the new clock.
- The new clock source is selected and continues with a full high period.



**Figure 3-5. Switch MCLK from DCOCLK to XT1CLK**

### 3.3 Module Oscillator (MODOSC)

The UCS module also supports an internal oscillator, MODOSC, that is used by the flash memory controller module and, optionally, by other modules in the system. The MODOSC sources MODCLK.

#### 3.3.1 MODOSC Operation

To conserve power, MODOSC is powered down when not needed and enabled only when required. When the MODOSC source is required, the respective module requests it. MODOSC is enabled based on unconditional and conditional requests. Setting MODOSCREQEN enables conditional requests. Unconditional requests are always enabled. It is not necessary to set MODOSCREQEN for modules that utilize unconditional requests; e.g., flash controller, ADC12\_A.

The flash memory controller only requires MODCLK when performing write or erase operations. When performing such operations, the flash memory controller issues an unconditional request for the MODOSC source. Upon doing so, the MODOSC source is enabled, if not already enabled from other modules' previous requests.

The ADC12\_A may optionally use MODOSC as a clock source for its conversion clock. The user chooses the ADC12OSC as the conversion clock source. During a conversion, the ADC12\_A module issues an unconditional request for the ADC12OSC clock source. Upon doing so, the MODOSC source is enabled, if not already enabled from other modules' previous requests.

### 3.4 UCS Module Registers

The UCS module registers are listed in [Table 3-1](#). The base address can be found in the device-specific data sheet. The address offset is listed in [Table 3-1](#).

**Note:** All registers have word or byte register access. For a generic register *ANYREG*, the suffix "\_L" (*ANYREG\_L*) refers to the lower byte of the register (bits 0 through 7). The suffix "\_H" (*ANYREG\_H*) refers to the upper byte of the register (bits 8 through 15).

**Table 3-1. Unified Clock System Registers**

Register	Short Form	Register Type	Register Access	Address Offset	Initial State
Unified Clock System Control 0	UCSCTL0	Read/write	Word	00h	0000h
	UCSCTL0_L	Read/write	Byte	00h	00h
	UCSCTL0_H	Read/write	Byte	01h	00h
Unified Clock System Control 1	UCSCTL1	Read/write	Word	02h	0020h
	UCSCTL1_L	Read/write	Byte	02h	20h
	UCSCTL1_H	Read/write	Byte	03h	00h
Unified Clock System Control 2	UCSCTL2	Read/write	Word	04h	101Fh
	UCSCTL2_L	Read/write	Byte	04h	1Fh
	UCSCTL2_H	Read/write	Byte	05h	10h
Unified Clock System Control 3	UCSCTL3	Read/write	Word	06h	0000h
	UCSCTL3_L	Read/write	Byte	06h	00h
	UCSCTL3_H	Read/write	Byte	07h	00h
Unified Clock System Control 4	UCSCTL4	Read/write	Word	08h	0044h
	UCSCTL4_L	Read/write	Byte	08h	44h
	UCSCTL4_H	Read/write	Byte	09h	00h
Unified Clock System Control 5	UCSCTL5	Read/write	Word	0Ah	0000h
	UCSCTL5_L	Read/write	Byte	0Ah	00h
	UCSCTL5_H	Read/write	Byte	0Bh	00h
Unified Clock System Control 6	UCSCTL6	Read/write	Word	0Ch	C1CDh
	UCSCTL6_L	Read/write	Byte	0Ch	CDh
	UCSCTL6_H	Read/write	Byte	0Dh	C1h
Unified Clock System Control 7	UCSCTL7	Read/write	Word	0Eh	0703h
	UCSCTL7_L	Read/write	Byte	0Eh	03h
	UCSCTL7_H	Read/write	Byte	0Fh	07h
Unified Clock System Control 8	UCSCTL8	Read/write	Word	10h	0707h
	UCSCTL8_L	Read/write	Byte	10h	07h
	UCSCTL8_H	Read/write	Byte	11h	07h

**Unified Clock System Control 0 Register (UCSCTL0)**

15	14	13	12	11	10	9	8
7	6	5	4	3	2	1	0
<b>Reserved</b>				<b>DCO</b>			
r0	r0	r0	rw-0	rw-0	rw-0	rw-0	rw-0
7	6	5	4	3	2	1	0
<b>MOD</b>					<b>Reserved</b>		
rw-0	rw-0	rw-0	rw-0	rw-0	r0	r0	r0

**Reserved** Bits 15-13 Reserved. Reads back as 0.

**DCO** Bits 12-8 DCO tap selection. These bits select the DCO tap and are modified automatically during FLL operation.

**MOD** Bits 7-3 Modulation bit counter. These bits select the modulation pattern. All MOD bits are modified automatically during FLL operation. The DCO register value is incremented when the modulation bit counter rolls over from 31 to 0. If the modulation bit counter decrements from 0 to the maximum count, the DCO register value is also decremented.

**Reserved** Bits 2-0 Reserved. Reads back as 0.

**Unified Clock System Control 1 Register (UCSCTL1)**

15	14	13	12	11	10	9	8
7	6	5	4	3	2	1	0
<b>Reserved</b>							
r0	r0	r0	r0	r0	r0	r0	r0
7	6	5	4	3	2	1	0
<b>Reserved</b>	<b>DCORSEL</b>			<b>Reserved</b>		<b>Reserved</b>	<b>DISMOD</b>
r0	rw-0	rw-1	rw-0	r0	r0	rw-0	rw-0

**Reserved** Bits 15-8 Reserved. Reads back as 0.

**Reserved** Bit 7 Reserved. Reads back as 0.

**DCORSEL** Bits 6-4 DCO frequency range select. These bits select the DCO frequency range of operation.

**Reserved** Bits 3-2 Reserved. Reads back as 0.

**Reserved** Bit 1 Reserved. Reads back as 0.

**DISMOD** Bit 0 Modulation. This bit enables/disables the modulation.

0 Modulation enabled

1 Modulation disabled

**Unified Clock System Control 2 Register (UCSCTL2)**

15	14	13	12	11	10	9	8
7	6	5	4	3	2	1	0
<b>Reserved</b>	<b>FLLD</b>			<b>Reserved</b>		<b>FLLN</b>	
r0	rw-0	rw-0	rw-1	r0	r0	rw-0	rw-0
7	6	5	4	3	2	1	0
<b>FLLN</b>							
rw-0	rw-0	rw-0	rw-1	rw-1	rw-1	rw-1	rw-1

<b>Reserved</b>	Bit 15	Reserved. Reads back as 0.
<b>FLLD</b>	Bits 14-12	FLL loop divider. These bits divide $f_{DCOCLK}$ in the FLL feedback loop. This results in an additional multiplier for the multiplier bits. See also multiplier bits. 000 $f_{DCOCLK}/1$ 001 $f_{DCOCLK}/2$ 010 $f_{DCOCLK}/4$ 011 $f_{DCOCLK}/8$ 100 $f_{DCOCLK}/16$ 101 $f_{DCOCLK}/32$ 110 Reserved for future use. Defaults to $f_{DCOCLK}/32$ . 111 Reserved for future use. Defaults to $f_{DCOCLK}/32$ .
<b>Reserved</b>	Bits 11-10	Reserved. Reads back as 0.
<b>FLLN</b>	Bits 9-0	Multiplier bits. These bits set the multiplier value N of the DCO. N must be greater than 0. Writing zero to FLLN causes N to be set to 1.



**Unified Clock System Control 3 Register (UCSCTL3)**

15	14	13	12	11	10	9	8
7	6	5	4	3	2	1	0
<b>Reserved</b>							
r0	r0	r0	r0	r0	r0	r0	r0
7	6	5	4	3	2	1	0
<b>Reserved</b>	<b>SELREF</b>			<b>Reserved</b>	<b>FLLREFDIV</b>		
r0	rw-0	rw-0	rw-0	r0	rw-0	rw-0	rw-0

**Reserved** Bits 15-8 Reserved. Reads back as 0.

**Reserved** Bit 7 Reserved. Reads back as 0.

**SELREF** Bits 6-4 FLL reference select. These bits select the FLL reference clock source.

000 XT1CLK

001 Reserved for future use. Defaults to XT1CLK.

010 REFOCLK

011 Reserved for future use. Defaults to REFOCLK.

100 Reserved for future use. Defaults to REFOCLK.

101 XT2CLK when available, otherwise REFOCLK.

110 Reserved for future use. XT2CLK when available, otherwise REFOCLK.

111 No selection. For the 'F543x and 'F541x non-A versions only, this defaults to XT2CLK.

**Reserved** Bit 3 Reserved. Reads back as 0.

**FLLREFDIV** Bits 2-0 FLL reference divider. These bits define the divide factor for  $f_{\text{FLLREFCLK}}$ . The divided frequency is used as the FLL reference frequency.

000  $f_{\text{FLLREFCLK}}/1$

001  $f_{\text{FLLREFCLK}}/2$

010  $f_{\text{FLLREFCLK}}/4$

011  $f_{\text{FLLREFCLK}}/8$

100  $f_{\text{FLLREFCLK}}/12$

101  $f_{\text{FLLREFCLK}}/16$

110 Reserved for future use. Defaults to  $f_{\text{FLLREFCLK}}/16$ .

111 Reserved for future use. Defaults to  $f_{\text{FLLREFCLK}}/16$ .

**Unified Clock System Control 4 Register (UCSCTL4)**

15	14	13	12	11	10	9	8
7	6	5	4	3	2	1	0
<b>Reserved</b>				<b>SELA</b>			
r0	r0	r0	r0	r0	rw-0	rw-0	rw-0
7	6	5	4	3	2	1	0
<b>Reserved</b>	<b>SELS</b>			<b>Reserved</b>	<b>SELM</b>		
r0	rw-1	rw-0	rw-0	r0	rw-1	rw-0	rw-0

**Reserved** Bits 15-11 Reserved. Reads back as 0.

**SELA** Bits 10-8 Selects the ACLK source

- 000 XT1CLK
- 001 VLOCLK
- 010 REFOCLK
- 011 DCOCLK
- 100 DCOCLKDIV
- 101 XT2CLK when available, otherwise DCOCLKDIV
- 110 Reserved for future use. Defaults to XT2CLK.
- 111 Reserved for future use. Defaults to XT2CLK.

**Reserved** Bit 7 Reserved. Reads back as 0.

**SELS** Bits 6-4 Selects the SMCLK source

- 000 XT1CLK
- 001 VLOCLK
- 010 REFOCLK
- 011 DCOCLK
- 100 DCOCLKDIV
- 101 XT2CLK when available, otherwise DCOCLKDIV
- 110 Reserved for future use. Defaults to XT2CLK.
- 111 Reserved for future use. Defaults to XT2CLK.

**Reserved** Bit 3 Reserved. Reads back as 0.

**SELM** Bits 2-0 Selects the MCLK source

- 000 XT1CLK
- 001 VLOCLK
- 010 REFOCLK
- 011 DCOCLK
- 100 DCOCLKDIV
- 101 XT2CLK when available, otherwise DCOCLKDIV
- 110 Reserved for future use. Defaults to XT2CLK.
- 111 Reserved for future use. Defaults to XT2CLK.

**Unified Clock System Control 5 Register (UCSCTL5)**

15	14	13	12	11	10	9	8
7	6	5	4	3	2	1	0
<b>Reserved</b>	<b>DIVPA</b>			<b>Reserved</b>	<b>DIVA</b>		
r0	rw-0	rw-0	rw-0	r0	rw-0	rw-0	rw-0
7	6	5	4	3	2	1	0
<b>Reserved</b>	<b>DIVS</b>			<b>Reserved</b>	<b>DIVM</b>		
r0	rw-0	rw-0	rw-0	r0	rw-0	rw-0	rw-0

**Reserved** Bit 15 Reserved. Reads back as 0.

**DIVPA** Bits 14-12 ACLK source divider available at external pin. Divides the frequency of ACLK and presents it to an external pin.

000	$f_{\text{ACLK}}/1$
001	$f_{\text{ACLK}}/2$
010	$f_{\text{ACLK}}/4$
011	$f_{\text{ACLK}}/8$
100	$f_{\text{ACLK}}/16$
101	$f_{\text{ACLK}}/32$
110	Reserved for future use. Defaults to $f_{\text{ACLK}}/32$ .
111	Reserved for future use. Defaults to $f_{\text{ACLK}}/32$ .

**Reserved** Bit 11 Reserved. Reads back as 0.

**DIVA** Bits 10-8 ACLK source divider. Divides the frequency of the ACLK clock source.

000	$f_{\text{ACLK}}/1$
001	$f_{\text{ACLK}}/2$
010	$f_{\text{ACLK}}/4$
011	$f_{\text{ACLK}}/8$
100	$f_{\text{ACLK}}/16$
101	$f_{\text{ACLK}}/32$
110	Reserved for future use. Defaults to $f_{\text{ACLK}}/32$ .
111	Reserved for future use. Defaults to $f_{\text{ACLK}}/32$ .

**Reserved** Bit 7 Reserved. Reads back as 0.

**DIVS** Bits 6-4 SMCLK source divider

000	$f_{\text{SMCLK}}/1$
001	$f_{\text{SMCLK}}/2$
010	$f_{\text{SMCLK}}/4$
011	$f_{\text{SMCLK}}/8$
100	$f_{\text{SMCLK}}/16$
101	$f_{\text{SMCLK}}/32$
110	Reserved for future use. Defaults to $f_{\text{SMCLK}}/32$ .
111	Reserved for future use. Defaults to $f_{\text{SMCLK}}/32$ .

**Reserved** Bit 3 Reserved. Reads back as 0.

**DIVM** Bits 2-0 MCLK source divider

000	$f_{\text{MCLK}}/1$
001	$f_{\text{MCLK}}/2$
010	$f_{\text{MCLK}}/4$
011	$f_{\text{MCLK}}/8$
100	$f_{\text{MCLK}}/16$
101	$f_{\text{MCLK}}/32$
110	Reserved for future use. Defaults to $f_{\text{MCLK}}/32$ .
111	Reserved for future use. Defaults to $f_{\text{MCLK}}/32$ .

**Unified Clock System Control 6 Register (UCSCTL6)**

15	14	13	12	11	10	9	8
7	6	5	4	3	2	1	0
<b>Reserved</b>							<b>XT2OFF</b>
r0	r0	r0	r0	r0	r0	r0	rw-1
7	6	5	4	3	2	1	0
<b>XT1DRIVE</b>		<b>XTS</b>	<b>XT1BYPASS</b>	<b>XCAP</b>		<b>SMCLKOFF</b>	<b>XT1OFF</b>
rw-1	rw-1	rw-0	rw-0	rw-1	rw-1	rw-0	rw-1

<b>Reserved</b>	Bit 15-9	Reserved. Reads back as 0.
<b>XT2OFF</b>	Bit 8	Turns off the XT2 oscillator 0 XT2 is on. 1 XT2 is off if it is not used if not used by the radio i.e. the radio is not in sleep sate.
<b>XT1DRIVE</b>	Bits 7-6	The XT1 oscillator current can be adjusted to its drive needs. Initially, it starts with the highest supply current for reliable and quick startup. If needed, user software can reduce the drive strength. 00 Lowest current consumption for XT1 LF mode. XT1 oscillator operating range in HF mode is 4 MHz to 8 MHz. 01 Increased drive strength for XT1 LF mode. XT1 oscillator operating range in HF mode is 8 MHz to 16 MHz. 10 Increased drive capability for XT1 LF mode. XT1 oscillator operating range in HF mode is 16 MHz to 24 MHz. 11 Maximum drive capability and maximum current consumption for XT1 LF mode. XT1 oscillator operating range in HF mode is 24 MHz to 32 MHz.
<b>XTS</b>	Bit 5	XT1 mode select 0 Low-frequency mode. XCAP bits define the capacitance at the XIN and XOUT pins. 1 High-frequency mode. XCAP bits are not used.
<b>XT1BYPASS</b>	Bit 4	XT1 bypass select 0 XT1 sourced internally 1 XT1 sourced externally from pin
<b>XCAP</b>	Bits 3-2	Oscillator capacitor selection. These bits select the capacitors applied to the LF crystal or resonator in the LF mode (XTS = 0). The effective capacitance (seen by the crystal) is $C_{eff} \approx (C_{XIN} + 2 \text{ pF})/2$ . It is assumed that $C_{XIN} = C_{XOUT}$ and that a parasitic capacitance of 2 pF is added by the package and the printed circuit board. For details about the typical internal and the effective capacitors, refer to the device-specific data sheet.
<b>SMCLKOFF</b>	Bit 1	SMCLK off. This bit turns off the SMCLK. 0 SMCLK on 1 SMCLK off
<b>XT1OFF</b>	Bit 0	XT1 off. This bit turns off the XT1. 0 XT1 is on if XT1 is selected via the port selection and XT1 is not in bypass mode of operation. 1 XT1 is off if it is not used as a source for ACLK, MCLK, or SMCLK or is not used as a reference source required for FLL operation.

**Unified Clock System Control 7 Register (UCSCTL7)**

15	14	13	12	11	10	9	8
7	6	5	4	3	2	1	0
Reserved		Reserved	Reserved	Reserved		Reserved	
r0	r0	rw-0	rw-(0)	rw-(1)	rw-(1)	r-1	r-1
7	6	5	4	3	2	1	0
Reserved			Reserved	XT2OFFG	XT1HFOFFG	XT1LFOFFG	DCOFFG
r0	r0	r0	rw-(0)	rw-(0)	rw-(0)	rw-(1)	rw-(1)

<b>Reserved</b>	Bits 15-14	Reserved. Reads back as 0.
<b>Reserved</b>	Bit 13	Reserved. This bit must always be written with 0.
<b>Reserved</b>	Bit 12	Reserved. This bit must always be written with 0.
<b>Reserved</b>	Bits 11-10	Reserved. The states of these bits should be ignored.
<b>Reserved</b>	Bits 9-8	Reserved. The states of these bits should be ignored.
<b>Reserved</b>	Bits 7-5	Reserved. Reads back as 0.
<b>Reserved</b>	Bit 4	Reserved. The state of this bit should be ignored.
<b>XT2OFFG</b>	Bit 3	<p>XT2 oscillator fault flag. If this bit is set, the OFIFG flag is also set. XT2OFFG is set if a XT2 fault condition exists. XT2OFFG can be cleared via software. If the XT2 fault condition still remains, XT2OFFG is set.</p> <p>0 No fault condition occurred after the last reset.</p> <p>1 XT2 fault. An XT2 fault occurred after the last reset.</p>
<b>XT1HFOFFG</b>	Bit 2	<p>XT1 oscillator fault flag (HF mode). If this bit is set, the OFIFG flag is also set. XT1HFOFFG is set if a XT1 fault condition exists. XT1HFOFFG can be cleared via software. If the XT1 fault condition still remains, XT1HFOFFG is set.</p> <p>0 No fault condition occurred after the last reset.</p> <p>1 XT1 fault. An XT1 fault occurred after the last reset.</p>
<b>XT1LFOFFG</b>	Bit 1	<p>XT1 oscillator fault flag (LF mode). If this bit is set, the OFIFG flag is also set. XT1LFOFFG is set if a XT1 fault condition exists. XT1LFOFFG can be cleared via software. If the XT1 fault condition still remains, XT1LFOFFG is set.</p> <p>0 No fault condition occurred after the last reset.</p> <p>1 XT1 fault (LF mode). A XT1 fault occurred after the last reset.</p>
<b>DCOFFG</b>	Bit 0	<p>DCO fault flag. If this bit is set, the OFIFG flag is also set. The DCOFFG bit is set if DCO = {0} or DCO = {31}. DCOFFG can be cleared via software. If the DCO fault condition still remains, DCOFFG is set.</p> <p>0 No fault condition occurred after the last reset.</p> <p>1 DCO fault. A DCO fault occurred after the last reset.</p>

**Unified Clock System Control 8 Register (UCSCTL8)**

15	14	13	12	11	10	9	8
7	6	5	4	3	2	1	0
Reserved				Reserved			
r0	r0	r0	r0	r0	rw-(1)	rw-(1)	rw-(1)
7	6	5	4	3	2	1	0
Reserved			Reserved	MODOSC REQEN	SMCLKREQEN	MCLKREQEN	ACLKREQEN
r0	r0	r0	rw-(0)	rw-(0)	rw-(1)	rw-(1)	rw-(1)

<b>Reserved</b>	Bits 15-11	Reserved. Reads back as 0.
<b>Reserved</b>	Bits 10-8	Reserved. Must always be written as 1.
<b>Reserved</b>	Bits 7-5	Reserved. Reads back as 0.
<b>Reserved</b>	Bit 4	Reserved. Must always be written as 0.
<b>MODOSCREQEN</b>	Bit 3	MODOSC clock request enable. Setting this enables conditional module requests for MODOSC. 0 MODOSC conditional requests are disabled. 1 MODOSC conditional requests are enabled.
<b>SMCLKREQEN</b>	Bit 2	SMCLK clock request enable. Setting this enables conditional module requests for SMCLK 0 SMCLK conditional requests are disabled. 1 SMCLK conditional requests are enabled.
<b>MCLKREQEN</b>	Bit 1	MCLK clock request enable. Setting this enables conditional module requests for MCLK 0 MCLK conditional requests are disabled. 1 MCLK conditional requests are enabled.
<b>ACLKREQEN</b>	Bit 0	ACLK clock request enable. Setting this enables conditional module requests for ACLK 0 ACLK conditional requests are disabled. 1 ACLK conditional requests are enabled.



## ***Power Management Module and Supply Voltage Supervisor***

---

---

---

This chapter describes the operation of the Power Management Module (PMM) and Supply Voltage Supervisor (SVS).

Topic	Page
4.1 Power Management Module (PMM) Introduction .....	88
4.2 PMM Operation .....	90
4.3 PMM Registers.....	98

## 4.1 Power Management Module (PMM) Introduction

PMM features include:

- Wide supply voltage ( $DV_{CC}$ ) range: 1.8 V to 3.6 V
- Generation of voltage for the device core ( $V_{CORE}$ ) with up to four programmable levels
- Supply voltage supervisor (SVS) for  $DV_{CC}$  and  $V_{CORE}$  with programmable threshold levels
- Supply voltage monitor (SVM) for  $DV_{CC}$  and  $V_{CORE}$  with programmable threshold levels
- Brownout reset (BOR)
- Software accessible power-fail indicators
- I/O protection during power-fail condition
- Software selectable supervisor or monitor state output (optional)

The PMM manages all functions related to the power supply and its supervision for the device. Its primary functions are first to generate a supply voltage for the core logic, and second, provide several mechanisms for the supervision and monitoring of both the voltage applied to the device ( $DV_{CC}$ ) and the voltage generated for the core ( $V_{CORE}$ ).

The PMM uses an integrated low-dropout voltage regulator (LDO) to produce a secondary core voltage ( $V_{CORE}$ ) from the primary one applied to the device ( $DV_{CC}$ ). In general,  $V_{CORE}$  supplies the CPU, memories (flash/RAM), and the digital modules, while  $DV_{CC}$  supplies the I/Os and all analog modules (including the oscillators). The  $V_{CORE}$  output is maintained using a dedicated voltage reference.  $V_{CORE}$  is programmable up to four steps, to provide only as much power as is needed for the speed that has been selected for the CPU. This enhances power efficiency of the system. The input or primary side of the regulator is referred to in this chapter as its high side. The output or secondary side is referred to in this chapter as its low side.

The required minimum voltage for the core depends on the selected MCLK rate. Figure 4-1 shows the relationship between the system frequency for a given core voltage setting, as well as the minimum required voltage applied to the device. Figure 4-1 only serves as an example, and the device-specific data sheet should be referenced to determine which core voltage levels are supported and what level of system performance is possible.

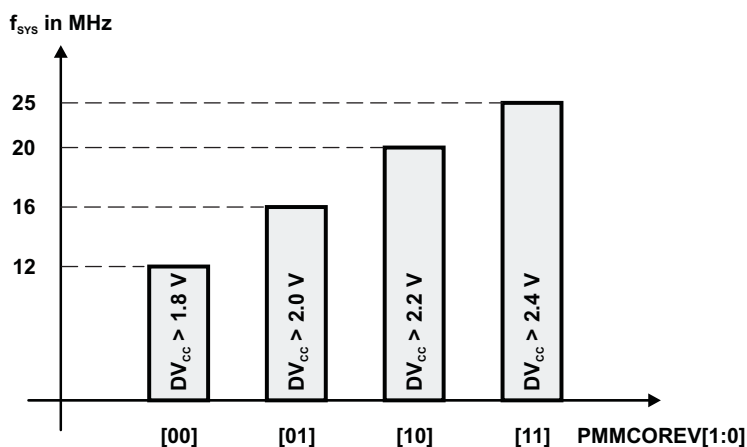


Figure 4-1. System Frequency and Supply/Core Voltages

The PMM module provides a means for  $DV_{CC}$  and  $V_{CORE}$  to be supervised and monitored. Both of these functions detect when a voltage falls under a specific threshold. In general, the difference is that supervision results in a power-on reset (POR) event, while monitoring results in the generation of an interrupt flag that software may then handle. As such,  $DV_{CC}$  is supervised and monitored by the high-side supervisor (SVS<sub>H</sub>) and high-side monitor (SVM<sub>H</sub>), respectively.  $V_{CORE}$  is supervised and monitored by the low-side supervisor (SVS<sub>L</sub>) and low-side monitor (SVM<sub>L</sub>), respectively. Thus, there are four separate supervision/monitoring modules that can be active at any given time. The thresholds enforced by these modules are derived from the same voltage reference used by the regulator to generate  $V_{CORE}$ .



In addition to the  $SVS_H$  /  $SVM_H$  /  $SVS_L$  /  $SVM_L$  modules,  $V_{CORE}$  is further monitored by the brownout reset (BOR) circuit. As  $DV_{CC}$  ramps up from 0 V at power up, the BOR keeps the device in reset until  $V_{CORE}$  is at a sufficient level for operation at the default MCLK rate and for the  $SVS_H$ / $SVS_L$  mechanisms to be activated. During operation, the BOR also generates a reset if  $V_{CORE}$  falls below a preset threshold. BOR can be used to provide an even lower-power means of monitoring the supply rail if the flexibility of the  $SVS_L$  is not required.

The block diagram of the PMM is shown in Figure 4-2.

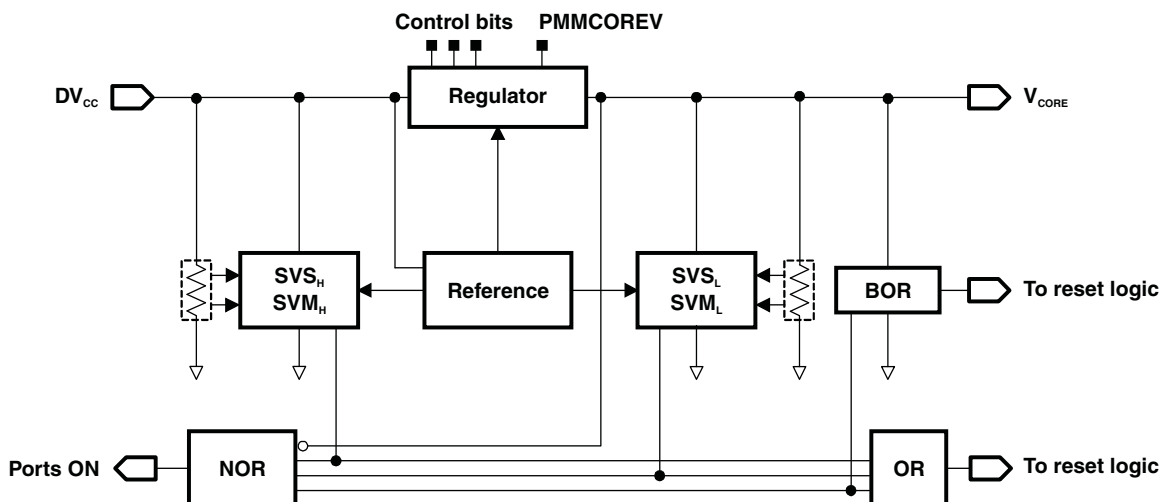


Figure 4-2. PMM Block Diagram

## 4.2 PMM Operation

### 4.2.1 $V_{CORE}$ and the Regulator

$DV_{CC}$  can be powered from a wide input voltage range, but the core logic of the device must be kept at a voltage lower than what this range allows. For this reason, a regulator has been integrated into the PMM. The regulator derives the necessary core voltage ( $V_{CORE}$ ) from  $DV_{CC}$ .

Higher MCLK speeds require higher levels of  $V_{CORE}$ . Higher levels of  $V_{CORE}$  consume more power, and so the core voltage has been made programmable in up to four steps to allow it to provide only as much power as is required for a given MCLK setting. The level is controlled by the PMMCOREV bits. Note that the default setting, the lowest value of PMMCOREV, enables operation of MCLK over a very wide frequency range. As such, no PMM changes are required for many applications. See the device-specific data sheet for performance characteristics and core step levels supported.

Before increasing MCLK to a higher speed, it is necessary for software to ensure that the  $V_{CORE}$  level is sufficiently high for the chosen frequency. Failure to do so may force the CPU to attempt operation without sufficient power, which can cause unpredictable results. See [Section 4.2.4](#) for more information on the appropriate procedure to raise  $V_{CORE}$  for higher MCLK frequencies.

The regulator supports two different load settings to optimize power. The high-current mode is required when:

- The CPU is in active, LPM0, or LPM1 modes
- A clock source greater than 32 kHz is used to drive any module
- An interrupt is executed
- JTAG is active

Otherwise, the low-current mode is used. The hardware controls the load settings automatically, according to the criteria above.

### 4.2.2 Supply Voltage Supervisor and Monitor

The high-side supervisor and monitor ( $SVS_H$  and  $SVM_H$ ) and the low-side supervisor and monitor ( $SVS_L$  and  $SVM_L$ ) oversee  $DV_{CC}$  and  $V_{CORE}$ , respectively. By default, all these modules are active, but each can be disabled using the corresponding enable bit ( $SVSHE/SVMHE/SVSLE/SVMLE$ ), resulting in some power savings.

#### SVS/SVM Thresholds

The voltage thresholds enforced by the SVS/SVM modules are selectable. [Table 4-1](#) shows the SVS/SVM threshold registers, the voltage threshold they control, and the number of threshold options.

**Table 4-1. SVS/SVM Thresholds**

Register	Description	Threshold	Available Steps
SVSHRVL	$SVS_H$ reset voltage level	$SVS_{H\_IT-}$	4
SVSMHRRL	$SVS_H/SVM_H$ reset release voltage level	$SVS_{H\_IT+}$ , $SVM_H$	8
SVSLRVL	$SVS_L$ reset voltage level	$SVS_{L\_IT-}$	4
SVSMLRRL	$SVS_L/SVM_L$ reset release voltage level	$SVS_{L\_IT+}$ , $SVM_L$	4

The high-side thresholds support various thresholds within the  $DV_{CC}$  range. These should be selected according to the minimum voltages required for device operation in a given application, as well as system power supply characteristics. See the device-specific data sheet for threshold values corresponding to the settings shown here.

The low-side threshold options are designed to support the associated  $V_{CORE}$  values, such that SVSLRVL and SVSMLRRL should always be set to a value equal to PMMCOREV.

As Figure 4-3 shows, there is hysteresis built into the supervision thresholds, such that the thresholds in force depend on whether the voltage rail is going up or down. There is no hysteresis in the monitoring thresholds.

The behavior of the SVS/SVM according to these thresholds is best portrayed graphically. Figure 4-3 shows how the supervisors and monitors respond to various supply failure conditions.

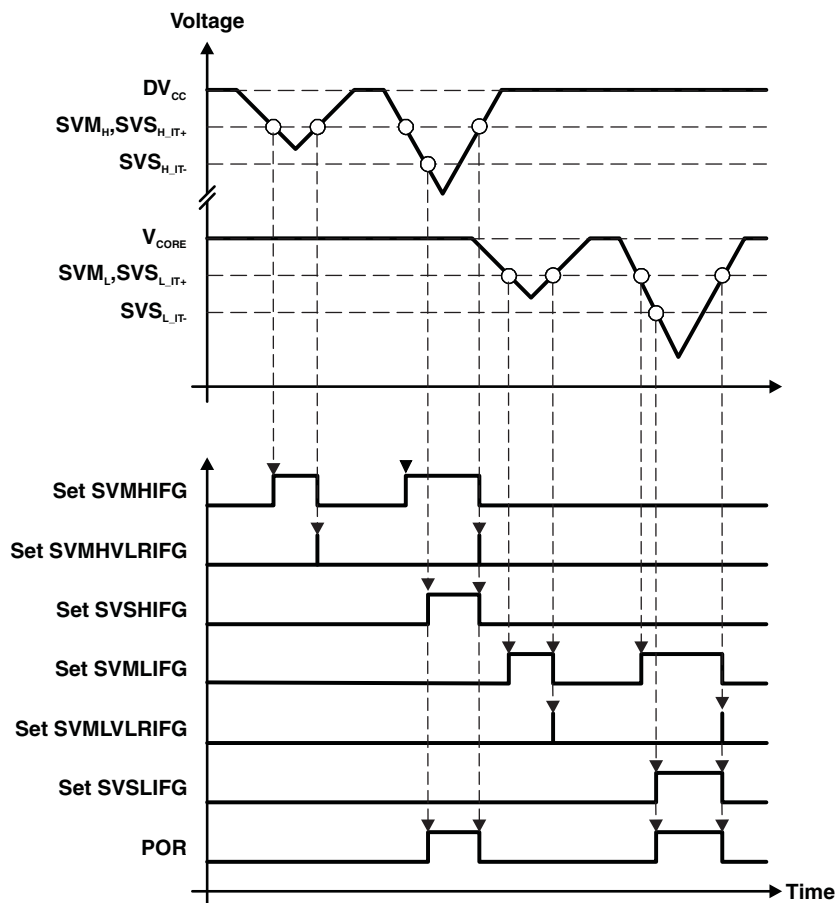


Figure 4-3. High-Side and Low-Side Voltage Failure and Resulting PMM Actions

## High Side Supervisor/Monitor (SVSH/SVSL)

The SVSH and SVMH modules are enabled by default. They can be disabled by clearing the SVSHE and SVMHE bits, respectively. Their block diagrams are shown in Figure 4-4.

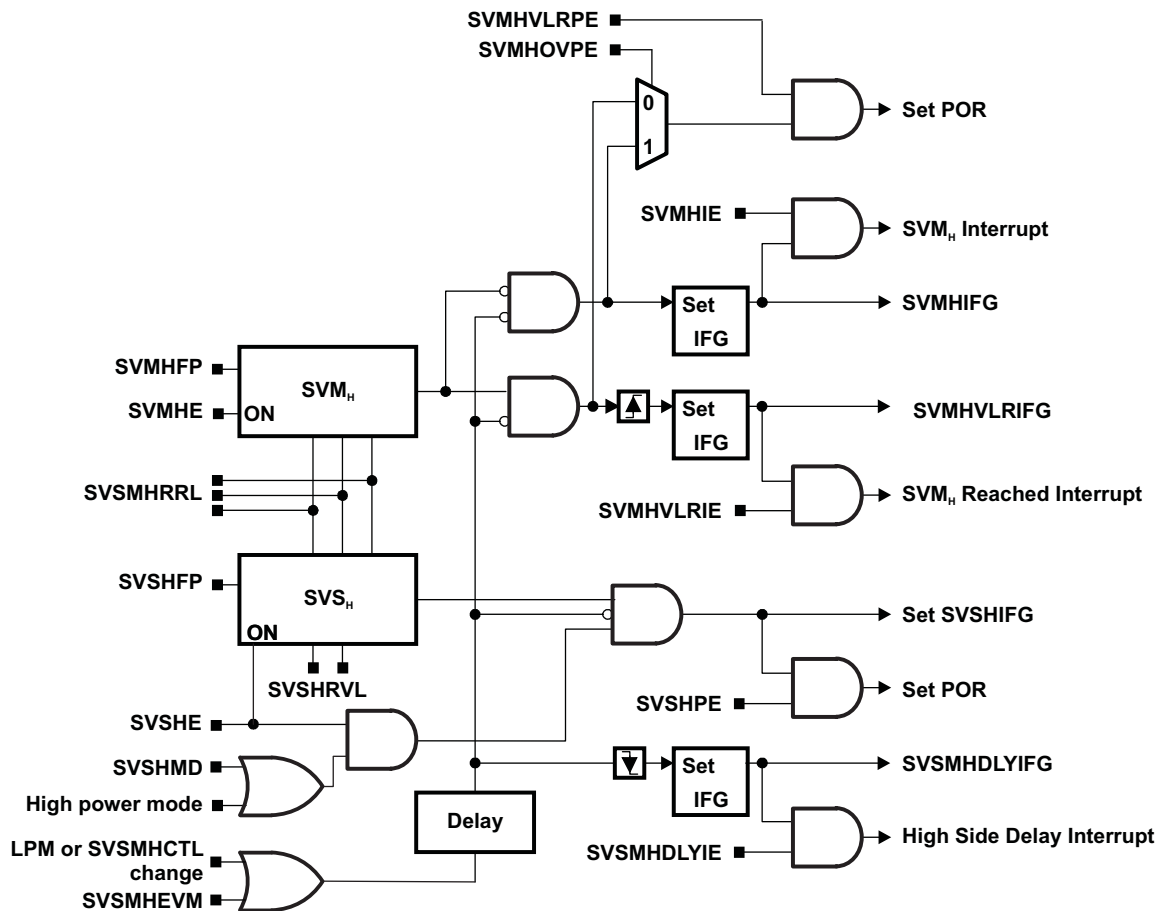


Figure 4-4. High-Side SVS and SVM

If  $DV_{CC}$  falls below the SVSH level, SVSHIFG (SVSH interrupt flag) is set. If  $DV_{CC}$  remains below the SVSH level and software attempts to clear SVSHIFG, it is immediately set again by hardware. If the SVSHPE (SVSH POR enable) bit is set when SVSHIFG gets set, a POR is generated.

If  $DV_{CC}$  falls below the SVMH level, SVMHIFG (SVMH interrupt flag) is set. If  $DV_{CC}$  remains below the SVMH level and software attempts to clear SVMHIFG, it is immediately set again by hardware. If the SVMHIE (SVMH interrupt enable) bit is set when SVMHIFG gets set, an interrupt is generated. If a POR is desired when SVMHIFG is set, the SVMH can be configured to do so by setting the SVMHVRPE (SVMH voltage level reached POR enable) bit while SVMHOVPE bit is cleared.

If  $DV_{CC}$  rises above the SVMH level, the SVMHVRIFG (SVMH voltage level reached) interrupt flag is set. If SVMHVRIFG (SVMH voltage level reached interrupt enable) is set when this occurs, an interrupt is also generated.

The SVMH module can also be used for overvoltage detection. This is accomplished by setting the SVMHOVPE (SVMH overvoltage POR enable) bit, in addition to setting SVMHVRPE. Under these conditions, if  $DV_{CC}$  exceeds safe device operation, a POR is generated.

The SVSH/SVMH modules have configurable performance modes for power-saving operation. (See Section 4.2.9 for more information.) If these SVSH/SVMH power modes are modified, or if a voltage level is modified, a delay element masks the interrupts and POR sources until the SVSH/SVMH circuits have settled. When the delay has completed, the SVSMHDLYIFG (SVSH/SVMH delay expired) interrupt flag is set. If the SVSMHDLYIE (SVSH/SVMH delay expired interrupt enable) is set when this occurs, an interrupt is also generated.

All the interrupt flags remain set until cleared by a BOR or by software.

### Low-Side Supervisor/Monitor (SVS<sub>L</sub>/SVM<sub>L</sub>)

The SVS<sub>L</sub> and SVM<sub>L</sub> modules are enabled by default. They can be disabled by clearing SVSLE and SVMLE bits, respectively. Their block diagrams are shown in Figure 4-5.

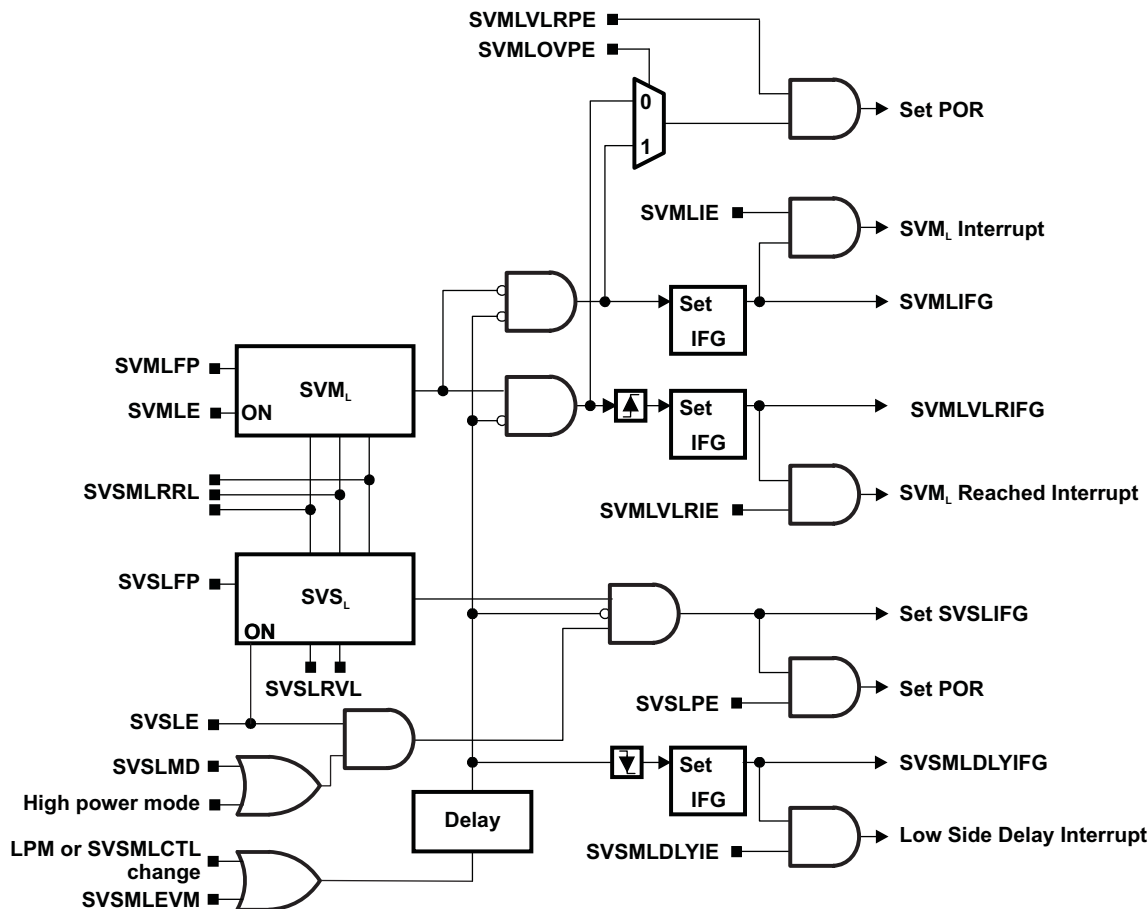


Figure 4-5. Low-Side SVS and SVM

If  $V_{CORE}$  falls below the SVS<sub>L</sub> level, SVSLIFG (SVS<sub>L</sub> interrupt flag) is set. If  $V_{CORE}$  remains below the SVS<sub>L</sub> level and software attempts to clear SVSLIFG, it is immediately set again by hardware. If the SVSLPE (SVS<sub>L</sub> POR enable) bit is set when SVSLIFG gets set, a POR is generated.

If  $V_{CORE}$  falls below the SVM<sub>L</sub> level, SVMLIFG (SVM<sub>L</sub> interrupt flag) is set. If  $V_{CORE}$  remains below the SVM<sub>L</sub> level and software attempts to clear SVMLIFG, it is immediately set again by hardware. If the SVMLE (SVM<sub>L</sub> interrupt enable) bit is set when SVMLIFG gets set, an interrupt is generated. If a POR is desired when SVMLIFG is set, the SVM<sub>L</sub> can be configured to do so by setting the SVMLVLRPE (SVM<sub>L</sub> voltage level reached POR enable) bit while SVMLOVPE bit is cleared.

If  $V_{CORE}$  rises above the SVM<sub>L</sub> level, the SVMLVLRIFG (SVM<sub>L</sub> voltage level reached) interrupt flag is set. If SVMLVLRIE (SVM<sub>L</sub> voltage level reached interrupt enable) is set when this occurs, an interrupt is also generated.

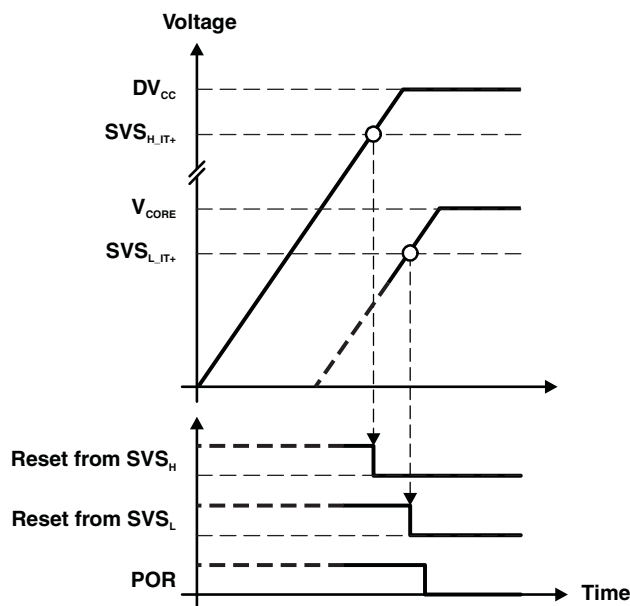
The SVM<sub>L</sub> module can also be used for overvoltage detection. This is accomplished by setting the SVMLOVPE (SVM<sub>L</sub> overvoltage POR enable) bit, in addition to setting SVMLVLRPE. Under these conditions, if  $V_{CORE}$  exceeds safe device operation, a POR is generated.

The SVS<sub>L</sub>/SVM<sub>L</sub> modules have configurable performance modes for power-saving operation. (See [Section 4.2.9](#) for more information.) If these SVS<sub>L</sub>/SVM<sub>L</sub> power modes are modified, or if a voltage level is modified, a delay element masks the interrupts and POR sources until the SVS<sub>L</sub>/SVM<sub>L</sub> circuits have settled. When the delay has completed, the SVSMLDLYIFG (SVS<sub>L</sub>/SVM<sub>L</sub> delay expired) interrupt flag is set. If the SVSMLDLYIE (SVS<sub>L</sub>/SVM<sub>L</sub> delay expired interrupt enable) is set when this occurs, an interrupt is also generated.

All the interrupt flags remain set until cleared by a BOR or by software.

### 4.2.3 Supply Voltage Supervisor and Monitor - Power-Up

When the device is powering up, the SVS<sub>H</sub> and SVS<sub>L</sub> functions are enabled by default. Initially, DV<sub>CC</sub> is low, and therefore the PMM holds the device in POR reset. Once both the SVS<sub>H</sub> and SVS<sub>L</sub> levels are met, the reset is released. [Figure 4-6](#) shows this process.



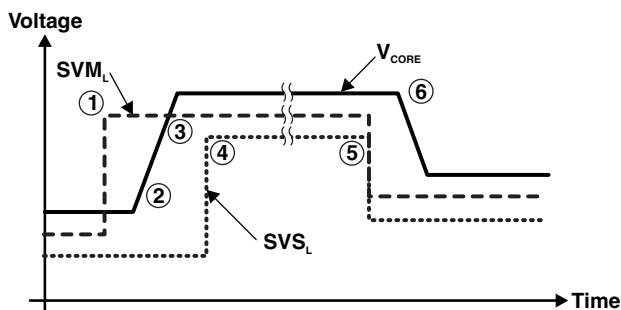
**Figure 4-6. PMM Action at Device Power-Up**

After this point, both voltage domains are supervised and monitored while the respective modules are enabled.

### 4.2.4 Increasing $V_{CORE}$ to Support Higher MCLK Frequencies

With a reset,  $V_{CORE}$  and all the PMM thresholds, default to their lowest possible levels. These default settings allow a wide range of MCLK operation, and in many applications no change to these levels is required. However, if the application requires the performance provided by higher MCLK frequencies, software should ensure that  $V_{CORE}$  has been raised to a sufficient voltage level before changing MCLK, since failing to supply sufficient voltage to the CPU could produce unpredictable results. For a given device, minimum  $V_{CORE}$  levels required for maximum MCLK frequencies have been established (See the device data sheet for specific values).

After setting PMMCOREV to increase  $V_{CORE}$ , there is a time delay until the new voltage has been established. Software must not raise MCLK until the necessary core voltage has settled. SVM<sub>L</sub> can be used to verify that  $V_{CORE}$  has met the required minimum value, prior to increasing MCLK. [Figure 4-7](#) shows this procedure graphically.



**Figure 4-7. Changing  $V_{CORE}$  and  $SVM_L$  and  $SVS_L$  Levels**

It is critical that the  $V_{CORE}$  level be increased by only one level at a time. The following steps 1 through 4 show the procedure to increase  $V_{CORE}$  by one level. This sequence is repeated to change the  $V_{CORE}$  level until the targeted level is obtained:

1. Program the  $SVM_H$  and  $SVS_H$  to the next level to ensure  $DV_{CC}$  is high enough for the next  $V_{CORE}$  level. Program the  $SVM_L$  to the next level and wait for (SVSMLDLYIFG) to be set.
2. Program PMMCOREV to the next  $V_{CORE}$  level.
3. Wait for the voltage level reached (SVMLVLRIFG) flag.
4. Program the  $SVS_L$  to the next level.

As a reference, the following is a C code example for increasing  $V_{CORE}$ . The sample libraries provide routines for increasing and decreasing the  $V_{CORE}$  and should be utilized whenever possible.

```
; C Code example for increasing core voltage.
; Note: Change core voltage one level at a time.
```

```
void SetVCoreUp (unsigned int level)
{
    // Open PMM registers for write access
    PMMCTL0_H = 0xA5;
    // Set SVS/SVM high side new level
    SVSMHCTL = SVSHE + SVSHRVL0 * level + SVMHE + SVSMHRRLO * level;
    // Set SVM low side to new level
    SVSMLCTL = SVSLE + SVMLE + SVSMLRRLO * level;
    // Wait till SVM is settled
    while ((PMMIFG & SVSMLDLYIFG) == 0);
    // Clear already set flags
    PMMIFG &= ~(SVMLVLRIFG + SVMLIFG);
    // Set VCore to new level
    PMMCTL0_L = PMMCOREV0 * level;
    // Wait till new level reached
    if ((PMMIFG & SVMLIFG))
        while ((PMMIFG & SVMLVLRIFG) == 0);
    // Set SVS/SVM low side to new level
    SVSMLCTL = SVSLE + SVSLRVL0 * level + SVMLE + SVSMLRRLO * level;
    // Lock PMM registers for write access
    PMMCTL0_H = 0x00;
}
```

#### 4.2.5 Decreasing $V_{CORE}$ for Power Optimization

The risk posed by increasing MCLK frequency does not exist when decreasing MCLK from the current  $V_{CORE}$  or higher settings, because higher  $V_{CORE}$  levels can still support MCLK frequencies below the ones for which they were intended. However, significant power efficiency gains can be made by operating  $V_{CORE}$  at the lowest value required for a given MCLK frequency. It is critical that the  $V_{CORE}$  level be decreased by only one level at a time. The following steps show the procedure to decrease  $V_{CORE}$  by one level. This sequence is repeated to change the  $V_{CORE}$  level until the targeted level is obtained:

Steps 1 through 3 show the procedure to decrease  $V_{CORE}$ :

1. Program the  $SVM_L$  to the new level and wait for (SVSMMLDYIFG) to be set.
2. Program PMMCOREV to the new  $V_{CORE}$  level.
3. Wait for the voltage level reached (SVMLVLRIFG) interrupt.

It is critical when lowering the  $V_{CORE}$  setting that the maximum MCLK frequency for the new  $V_{CORE}$  setting is not violated (see the device-specific data sheet).

#### 4.2.6 LPM5

LPM5 is an additional low-power mode in which the regulator of the PMM is completely disabled, providing additional power savings. Because there is no power supplied to V<sub>CORE</sub> during LPM5, the CPU and all digital modules including RAM are unpowered. This essentially disables the entire device and, as a result, the contents of the registers and RAM are lost. Any essential values should be stored to flash prior to entering LPM5. See the SYS module for complete descriptions and usages of LPM5.

#### 4.2.7 Voltage Reference

The PMM has an integrated, high-accuracy voltage reference generator. This reference is supplied to the  $V_{CORE}$  regulator and the voltage supervisors/monitors. As a result, any variation in the reference is reflected in both the  $V_{CORE}$  output and  $SVSL/SVM_L$  modules.

Power efficiency gains can be made by activating the reference with a pulse-width-modulated (PWM) signal, rather than being on continuously. These modes are referred to as switched mode and static mode, respectively. The device switches between these modes automatically.

Table 4-2 shows how the reference mode is controlled according to low-power operational modes.

**Table 4-2. PMM Voltage Reference per Operational Mode**

Operational Mode	Voltage Reference Behavior
Active (AM)	
LPM0	Static mode
LPM1	
LPM2	Switched mode
LPM3	
LPM4	
LPM5	Reference is off

The application software can also manually select the mode by setting the voltage regulator current mode bits (PMMCMD).

#### 4.2.8 Brownout Reset (BOR)

The primary function of the brownout reset (BOR) circuit occurs when the device is powering up. It is functional very early in the power-up ramp, generating a POR that initializes the system. It also functions when no SVS is enabled and a brownout condition occurs. It sustains this reset until the input power is sufficient for the logic, for proper reset of the system.



#### 4.2.9 SVS/SVM Performance Modes (Normal or Full-Performance)

The supervisors/monitors can function in one of two power modes: normal and full performance. The difference is a tradeoff in response time versus the power consumed; full-performance mode has a faster response time but consumes considerably more power than normal mode. Full-performance mode might be considered in applications in which the decoupling of the external power supply cannot adequately prevent fast spikes on DV<sub>CC</sub> from occurring, or when the application has a particular intolerance to failure. In such cases, full-performance mode provides an additional layer of protection.

There are two ways to control the performance mode: manual and automatic. In manual mode, the normal/full-performance selection is the same for every operational mode except LPM5 (the SVS/SVM are always disabled in LPM5). In this case, the normal/full-performance selection is made with the SVSHFP/SVMHFP/SVSLFP/SVMLFP bits, for their respective modules.

In automatic mode, hardware changes the normal/full-performance selection depending on the operational mode in effect. In automatic mode, the SVSHFP/SVMHFP/SVSLFP/SVMLFP select one of two automatic control schemes.

The selection of automatic or manual mode is by setting the SVSHACE/SVSLACE bits, which apply to the high-side and low-side, respectively. [Table 4-3](#) and [Table 4-4](#) show the selection of performance modes.

**Table 4-3. SVS/SVM Performance Control Modes -- Manual**

SVSHFP, SVMHFP, SVSLFP, SVMLFP	Active mode, LPM0, LPM1	LPM2, LPM3, LPM4	LPM5
0	Normal	Normal	Off
1	Full Performance	Full Performance	Off

**Table 4-4. SVS/SVM Performance Control Modes -- Automatic**

SVSHFP, SVMHFP, SVSLFP, SVMLFP	Active mode, LPM0, LPM1	LPM2, LPM3, LPM4	LPM5
0	Normal	Off	Off
1	Full Performance	Normal	Off

#### 4.2.10 PMM Interrupts

Interrupt flags generated by the PMM are routed to the system NMI interrupt vector generator register, SYSSNIV. When the PMM causes a reset, a value is generated in the system reset interrupt vector generator register, SYSRSTIV, corresponding to the source of the reset. These registers are defined within the SYS module. More information on the relationship between the PMM and SYS modules is available in the SYS chapter.

#### 4.2.11 Port I/O Control

The PMM provides a means of ensuring that I/O pins cannot behave in uncontrolled fashion during an undervoltage event. During these times, outputs are disabled, both normal drive and the weak pullup/pulldown function. If the CPU is functioning normally, and then an undervoltage event occurs, any pin configured as an input has its PxIN register value locked in at the point the event occurs, until voltage is restored. During the undervoltage event, external voltage changes on the pin are not registered internally. This helps prevent erratic behavior from occurring.

#### 4.2.12 Supply Voltage Monitor Output (SVMOUT, Optional)

The state of SVMLIFG, SVMLVLRIFG, SVMHIFG, and SVMLVLRIFG can be monitored on the external SVMOUT pin. Each of these interrupt flags can be enabled (SVMLOE, SVMLVLR0E, SVMHOE, SVMLVLR0E) to generate an output signal. The polarity of the output is selected by the SVMOUTPOL bit. If SVMOUTPOL is set, the output is set to 1 if an enabled interrupt flag is set.

### 4.3 PMM Registers

The PMM registers are listed in [Table 4-5](#). The base address of the PMM module can be found in the device-specific data sheet. The address offset of each PMM register is given in [Table 4-5](#). The password defined in the PMMCTL0 register controls access to all PMM, SVS, and SVM registers. Once the correct password is written, the write access is enabled. The write access is disabled by writing a wrong password in byte mode to the PMMCTL0 upper byte. Word accesses to PMMCTL0 with a wrong password triggers a PUC. A write access to a register other than PMMCTL0 while write access is not enabled causes a PUC.

**Note:** All registers have word or byte register access. For a generic register *ANYREG*, the suffix "\_L" (*ANYREG\_L*) refers to the lower byte of the register (bits 0 through 7). The suffix "\_H" (*ANYREG\_H*) refers to the upper byte of the register (bits 8 through 15).

**Table 4-5. PMM Registers**

Register	Short Form	Register Type	Register Access	Address Offset	Initial State
PMM control register 0	PMMCTL0	Read/write	Word	00h	9600h
	PMMCTL0_L	Read/write	Byte	00h	00h
	PMMCTL0_H	Read/write	Byte	01h	96h
PMM control register 1	PMMCTL1	Read/write	Word	02h	0000h
	PMMCTL1_L	Read/write	Byte	02h	00h
	PMMCTL1_H	Read/write	Byte	03h	00h
SVS and SVM high side control register	SVSMHCTL	Read/write	Word	04h	4400h
	SVSMHCTL_L	Read/write	Byte	04h	00h
	SVSMHCTL_H	Read/write	Byte	05h	44h
SVS and SVM low side control register	SVSMLCTL	Read/write	Word	06h	4400h
	SVSMLCTL_L	Read/write	Byte	06h	00h
	SVSMLCTL_H	Read/write	Byte	07h	44h
SVSIN and SVMOUT control register (optional)	SVSMIO	Read/write	Word	08h	0020h
	SVSMIO_L	Read/write	Byte	08h	20h
	SVSMIO_H	Read/write	Byte	09h	00h
PMM interrupt flag register	PMMIFG	Read/write	Word	0Ah	0000h
	PMMIFG_L	Read/write	Byte	0Ah	00h
	PMMIFG_H	Read/write	Byte	0Bh	00h
PMM interrupt enable register	PMMRIE	Read/write	Word	0Eh	0000h
	PMMRIE_L	Read/write	Byte	0Eh	00h
	PMMRIE_H	Read/write	Byte	0Fh	00h
Power mode 5 control register 0	PM5CTL0	Read/write	Word	10h	0000h
	PM5CTL0_L	Read/write	Byte	10h	00h
	PM5CTL0_H	Read/write	Byte	11h	00h

**Power Management Module Control Register 0 (PMMCTL0)**

15	14	13	12	11	10	9	8
<b>PMPW</b> , Read as 96h, Must be written as A5h							
rw-1	rw-0	rw-0	rw-1	rw-0	rw-1	rw-1	rw-0
7	6	5	4	3	2	1	0
<b>PMMHPMRE</b>	<b>Reserved</b>	<b>PMMREGOFF</b>	<b>PMMSWPOR</b>	<b>PMMSWBOR</b>	<b>PMMCOREV</b>		
rw-0	r-0	r-0	rw-0	rw-0	rw-0	rw-[0]	rw-[0]

<b>PMPW</b>	Bits 15-8	PMM password. Always read as 096h. Must be written with 0A5h or a PUC is generated.
<b>PMMHPMRE</b>	Bit 7	Global high power module request enable. If the PMMHPMRE bit is set, any module is able to request the PMM high-power mode.
<b>Reserved</b>	Bits 6-5	Reserved. Always read 0.
<b>PMMREGOFF</b>	Bit 4	Regulator off (see SYS chapter for further details)
<b>PMMSWPOR</b>	Bit 3	Software power-on reset. Setting this bit to 1 triggers a POR. This bit is self clearing.
<b>PMMSWBOR</b>	Bit 2	Software brownout reset. Setting this bit to 1 triggers a BOR. This bit is self clearing.
<b>PMMCOREV</b>	Bits 1-0	Core voltage (see the device-specific data sheet for supported levels and corresponding voltages)
	00	V <sub>CORE</sub> level 0
	01	V <sub>CORE</sub> level 1
	10	V <sub>CORE</sub> level 2
	11	V <sub>CORE</sub> level 3

**Power Management Module Control Register 1 (PMMCTL1)**

15	14	13	12	11	10	9	8
<b>Reserved</b>							
r-0	r-0	r-0	r-0	r-0	r-0	r-0	r-0
7	6	5	4	3	2	1	0
<b>Reserved</b>	<b>PMMCMD</b>	<b>Reserved</b>	<b>Reserved</b>	<b>Reserved</b>	<b>Reserved</b>	<b>PMMREFMD</b>	
r-0	r-0	rw-[0]	rw-[0]	r-0	r-0	rw-0	rw-0

<b>Reserved</b>	Bits 15-6	Reserved. Always read 0.
<b>PMMCMD</b>	Bits 5-4	Voltage regulator current mode
	00	The voltage regulator current range is defined by the low-power mode.
	01	The voltage regulator current range is defined by the low-power mode.
	10	The voltage regulator is forced into low-current mode.
	11	The voltage regulator is forced into full-performance mode.
<b>Reserved</b>	Bits 3-2	Reserved. Always read 0.
<b>Reserved</b>	Bit 1	Reserved. Must always be written with 0.
<b>PMMREFMD</b>	Bit 0	PMM reference mode. If PMMREFMD is set, the regulator reference remains in static mode.

**Supply Voltage Supervisor and Monitor High-Side Control Register (SVSMHCTL)**

15	14	13	12	11	10	9	8
<b>SVMHFP</b>	<b>SVMHE</b>	<b>Reserved</b>	<b>SVMHOVPE</b>	<b>SVSHFP</b>	<b>SVSHE</b>	<b>SVSHRVL</b>	
rw-[0]	rw-1	r-0	rw-[0]	rw-[0]	rw-1	rw-[0]	rw-[0]
7	6	5	4	3	2	1	0
<b>SVSMHACE</b>	<b>SVSMHEVM</b>	<b>Reserved</b>	<b>SVSHMD</b>	<b>SVSMHDLYST</b>	<b>SVSMHRRL</b>		
rw-[0]	rw-0	r-0	rw-0	rw-0	rw-[0]	rw-[0]	rw-[0]

<b>SVMHFP</b>	Bit 15	SVM high-side full-performance mode. If this bit is set, the SVM <sub>H</sub> operates in full-performance mode. 0 Normal mode. See the device-specific data sheet for response times. 1 Full-performance mode. See the device-specific data sheet for response times.
<b>SVMHE</b>	Bit 14	SVM high-side enable. If this bit is set, the SVM <sub>H</sub> is enabled.
<b>Reserved</b>	Bit 13	Reserved. Always read 0.
<b>SVMHOVPE</b>	Bit 12	SVM high-side overvoltage enable. If this bit is set, the SVM <sub>H</sub> overvoltage detection is enabled. If SVMHVL RPE is also set, a POR occurs on an overvoltage condition.
<b>SVSHFP</b>	Bit 11	SVS high-side full-performance mode. If this bit is set, the SVS <sub>H</sub> operates in full-performance mode. 0 Normal mode. See the device-specific data sheet for response times. 1 Full-performance mode. See the device-specific data sheet for response times.
<b>SVSHE</b>	Bit 10	SVS high-side enable. If this bit is set, the SVS <sub>H</sub> is enabled.
<b>SVSHRVL</b>	Bits 9-8	SVS high-side reset voltage level. If DV <sub>CC</sub> falls short of the SVS <sub>H</sub> voltage level selected by SVSHRVL, a reset is triggered (if SVSHPE = 1). The voltage levels are defined in the device-specific data sheet.
<b>SVSMHACE</b>	Bit 7	SVS and SVM high-side automatic control enable. If this bit is set, the low-power mode of the SVS <sub>H</sub> and SVM <sub>H</sub> circuits is under hardware control.
<b>SVSMHEVM</b>	Bit 6	SVS and SVM high-side event mask. If this bit is set, the SVS <sub>H</sub> and SVM <sub>H</sub> events are masked. 0 No events are masked. 1 All events are masked.
<b>Reserved</b>	Bit 5	Reserved. Always read 0.
<b>SVSHMD</b>	Bit 4	SVS high-side mode. If this bit is set, the SVS <sub>H</sub> interrupt flag is set in LPM2, LPM3, and LPM4 in case of power-fail conditions. If this bit is not set, the SVS <sub>H</sub> interrupt is not set in LPM2, LPM3, and LPM4.
<b>SVSMHDLYST</b>	Bit 3	SVS and SVM high-side delay status. If this bit is set, the SVS <sub>H</sub> and SVM <sub>H</sub> events are masked for some delay time. The delay time depends on the power mode of the SVS <sub>H</sub> and SVM <sub>H</sub> . If SVMHFP = 1 and SVSHFP = 1 i.e. full-performance mode the delay is shorter. See the device-specific data sheet for details. The bit is cleared by hardware if the delay has expired.
<b>SVSMHRRL</b>	Bits 2-0	SVS and SVM high-side reset release voltage level. These bits define the reset release voltage level of the SVS <sub>H</sub> . It is also used for the SVM <sub>H</sub> to define the voltage reached level. The voltage levels are defined in the device-specific data sheet.

**Supply Voltage Supervisor and Monitor Low-Side Control Register (SVSMLCTL)**

15	14	13	12	11	10	9	8
<b>SVMLFP</b>	<b>SVMLE</b>	<b>Reserved</b>	<b>SVMLOVPE</b>	<b>SVSLFP</b>	<b>SVSLE</b>	<b>SVSLRVL</b>	
rw-[0]	rw-1	r-0	rw-[0]	rw-[0]	rw-1	rw-[0]	rw-[0]
7	6	5	4	3	2	1	0
<b>SVSMLACE</b>	<b>SVSMLEVM</b>	<b>Reserved</b>	<b>SVSLMD</b>	<b>SVSMLDYST</b>	<b>SVSMLRRL</b>		
rw-[0]	rw-0	r-0	rw-0	rw-0	rw-[0]	rw-[0]	rw-[0]

<b>SVMLFP</b>	Bit 15	SVM low-side full-performance mode. If this bit is set, the SVM <sub>L</sub> operates in full-performance mode. 0 Normal mode. See the device-specific data sheet for response times. 1 Full-performance mode. See the device-specific data sheet for response times.
<b>SVMLE</b>	Bit 14	SVM low-side enable. If this bit is set, the SVM <sub>L</sub> is enabled.
<b>Reserved</b>	Bit 13	Reserved. Always read 0.
<b>SVMLOVPE</b>	Bit 12	SVM low-side overvoltage enable. If this bit is set, the SVM <sub>L</sub> overvoltage detection is enabled.
<b>SVSLFP</b>	Bit 11	SVS low-side full-performance mode. If this bit is set, the SVS <sub>L</sub> operates in full-performance mode. 0 Normal mode. See the device-specific data sheet for response times. 1 Full-performance mode. See the device-specific data sheet for response times.
<b>SVSLE</b>	Bit 10	SVS low-side enable. If this bit is set, the SVS <sub>L</sub> is enabled.
<b>SVSLRVL</b>	Bits 9-8	SVS low-side reset voltage level. If DV <sub>CC</sub> falls short of the SVS <sub>L</sub> voltage level selected by SVSHRVL, a reset is triggered (if SVSLPE = 1). The voltage levels are defined in the device-specific data sheet.
<b>SVSMLACE</b>	Bit 7	SVS and SVM low-side automatic control enable. If this bit is set, the low-power mode of the SVS <sub>L</sub> and SVM <sub>L</sub> circuits is under hardware control.
<b>SVSMLEVM</b>	Bit 6	SVS and SVM low-side event mask. If this bit is set, the SVS <sub>L</sub> and SVM <sub>L</sub> events are masked. 0 No events are masked. 1 All events are masked.
<b>Reserved</b>	Bit 5	Reserved. Always read 0.
<b>SVSLMD</b>	Bit 4	SVS low-side mode. If this bit is set, the SVS <sub>L</sub> interrupt flag is set in LPM2, LPM3 and LPM4 in case of power-fail conditions. If this bit is not set, the SVS <sub>L</sub> interrupt is not set in LPM2, LPM3, and LPM4.
<b>SVSMLDYST</b>	Bit 3	SVS and SVM low-side delay status. If this bit is set, the SVS <sub>L</sub> and SVM <sub>L</sub> events are masked for some delay time. The delay time depends on the power mode of the SVS <sub>L</sub> and SVM <sub>L</sub> . If SVMLFP = 1 and SVSLFP = 1 i.e. full-performance mode, it is shorter. The bit is cleared by hardware if the delay has expired.
<b>SVSMLRRL</b>	Bits 2-0	SVS and SVM low-side reset release voltage level. These bits define the reset release voltage level of the SVS <sub>L</sub> . It is also used for the SVM <sub>L</sub> to define the voltage reached level. The voltage levels are defined in the device-specific data sheet.

**SVSIN and SVMOUT Control Register (SVSMIO)**

15	14	13	12	11	10	9	8
<b>Reserved</b>			<b>SVMLVLR0E</b>	<b>SVMH0E</b>	<b>Reserved</b>		
r-0	r-0	r-0	rw-[0]	rw-[0]	r-0	r-0	r-0
7	6	5	4	3	2	1	0
<b>Reserved</b>		<b>SVMOUTPOL</b>	<b>SVMLVLR0E</b>	<b>SVMLOE</b>	<b>Reserved</b>		
r-0	r-0	rw-[1]	rw-[0]	rw-[0]	r-0	r-0	r-0

<b>Reserved</b>	Bits 15-13	Reserved. Always read 0.
<b>SVMLVLR0E</b>	Bit 12	SVM high-side voltage level reached output enable. If this bit is set, the SVMLVLRIFG bit is output to the device SVMOUT pin. The device-specific port logic has to be configured accordingly.
<b>SVMH0E</b>	Bit 11	SVM high-side output enable. If this bit is set, the SVMHIFG bit is output to the device SVMOUT pin. The device-specific port logic has to be configured accordingly.
<b>Reserved</b>	Bits 10-6	Reserved. Always read 0.
<b>SVMOUTPOL</b>	Bit 5	SVMOUT pin polarity. If this bit is set, SVMOUT is active high. An error condition is signaled by a 1 at SVMOUT. If SVMOUTPOL is cleared, the error condition is signaled by a 0 at the SVMOUT pin.
<b>SVMLVLR0E</b>	Bit 4	SVM low-side voltage level reached output enable. If this bit is set, the SVMLVLRIFG bit is output to the device SVMOUT pin. The device-specific port logic has to be configured accordingly.
<b>SVMLOE</b>	Bit 3	SVM low-side output enable. If this bit is set, the SVMLOIFG bit is output to the device SVMOUT pin. The device-specific port logic has to be configured accordingly.
<b>Reserved</b>	Bits 2-0	Reserved. Always read 0.

**Power Management Module Interrupt Flag Register (PMMIFG)**

15	14	13	12	11	10	9	8
<b>PMMLPM5IFG</b>	<b>Reserved</b>	<b>SVSLIFG<sup>1</sup></b>	<b>SVSHIFG<sup>1</sup></b>	<b>Reserved</b>	<b>PMMPORIFG</b>	<b>PMMRSTIFG</b>	<b>PMMBORIFG</b>
rw-[0]	r-0	rw-[0]	rw-[0]	r-0	rw-[0]	rw-[0]	rw-[0]
7	6	5	4	3	2	1	0
<b>Reserved</b>	<b>SVMHVLRIFG<sup>1</sup></b>	<b>SVMHIFG</b>	<b>SVSMHDLYIFG</b>	<b>Reserved</b>	<b>SVMLVLRIFG<sup>1</sup></b>	<b>SVMLIFG</b>	<b>SVSMLDLYIFG</b>
r-0	rw-[0]	rw-[0]	rw-0	r-0	rw-[0]	rw-[0]	rw-0

<sup>1</sup> After power up, the reset value depends on the power sequence.

<b>PMMLPM5IFG</b>	Bit 15	LPM5 flag. This bit is set if the system was in LPM5 before. The bit is cleared by software or by reading the reset vector word. A power failure on the DV <sub>CC</sub> domain clears the bit. 0 No interrupt pending 1 Interrupt pending
<b>Reserved</b>	Bit 14	Reserved. Always read 0.
<b>SVSLIFG</b>	Bit 13	SVS low-side interrupt flag. The bit is cleared by software or by reading the reset vector word. 0 No interrupt pending 1 Interrupt pending
<b>SVSHIFG</b>	Bit 12	SVS high-side interrupt flag. The bit is cleared by software or by reading the reset vector word. 0 No interrupt pending 1 Interrupt pending
<b>Reserved</b>	Bit 11	Reserved. Always read 0.
<b>PMMPORIFG</b>	Bit 10	PMM software power-on reset interrupt flag. This interrupt flag is set if a software POR is triggered. The bit is cleared by software or by reading the reset vector word. 0 No interrupt pending 1 Interrupt pending
<b>PMMRSTIFG</b>	Bit 9	PMM reset pin interrupt flag. This interrupt flag is set if the $\overline{\text{RST}}/\text{NMI}$ pin is the reset source. The bit is cleared by software or by reading the reset vector word. 0 No interrupt pending 1 Interrupt pending
<b>PMMBORIFG</b>	Bit 8	PMM software brownout reset interrupt flag. This interrupt flag is set if a software BOR (PMMSWBOR) is triggered. The bit is cleared by software or by reading the reset vector word. 0 No interrupt pending 1 Interrupt pending
<b>Reserved</b>	Bit 7	Reserved. Always read 0.
<b>SVMHVLRIFG</b>	Bit 6	SVM high-side voltage level reached interrupt flag. The bit is cleared by software or by reading the reset vector (SVSHPE = 1) word or by reading the interrupt vector (SVSHPE = 0) word. 0 No interrupt pending 1 Interrupt pending
<b>SVMHIFG</b>	Bit 5	SVM high-side interrupt flag. The bit is cleared by software. 0 No interrupt pending 1 Interrupt pending
<b>SVSMHDLYIFG</b>	Bit 4	SVS and SVM high-side delay expired interrupt flag. This interrupt flag is set if the delay element expired. The bit is cleared by software or by reading the interrupt vector word. 0 No interrupt pending 1 Interrupt pending
<b>Reserved</b>	Bit 3	Reserved. Always read 0.
<b>SVMLVLRIFG</b>	Bit 2	SVM low-side voltage level reached interrupt flag. The bit is cleared by software or by reading the reset vector (SVSLPE = 1) word or by reading the interrupt vector (SVSLPE = 0) word. 0 No interrupt pending 1 Interrupt pending

<b>SVMLIFG</b>	Bit 1	SVM low-side interrupt flag. The bit is cleared by software. 0 No interrupt pending 1 Interrupt pending
<b>SVSMLDLYIFG</b>	Bit 0	SVS and SVM low-side delay expired interrupt flag. This interrupt flag is set if the delay element expired. The bit is cleared by software or by reading the interrupt vector word. 0 No interrupt pending 1 Interrupt pending

**Power Management Module Reset and Interrupt Enable Register (PMMRIE)**

15	14	13	12	11	10	9	8
Reserved	Reserved	<b>SVMHVL RPE</b>	<b>SVSHPE</b>	Reserved	Reserved	<b>SVMLVLRPE</b>	<b>SVSLPE</b>
r-0	r-0	rw-[0]	rw-[0]	r-0	r-0	rw-[0]	rw-[0]
7	6	5	4	3	2	1	0
Reserved	<b>SVMHVLRIE</b>	<b>SVMHIE</b>	<b>SVSMHDLYIE</b>	Reserved	<b>SVMLVLRIE</b>	<b>SVMLIE</b>	<b>SVSMLDLYIE</b>
r-0	rw-0	rw-0	rw-0	r-0	rw-0	rw-0	rw-0

<b>Reserved</b>	Bits 15-14	Reserved. Always read 0.
<b>SVMHVL RPE</b>	Bit 13	SVM high-side voltage level reached power-on reset enable. If this bit is set, exceeding the SVM <sub>H</sub> voltage level triggers a POR.
<b>SVSHPE</b>	Bit 12	SVS high-side power-on reset enable. If this bit is set, falling below the SVS <sub>H</sub> voltage level triggers a POR.
<b>Reserved</b>	Bits 11-10	Reserved. Always read 0.
<b>SVMLVLRPE</b>	Bit 9	SVM low-side voltage level reached power-on reset enable. If this bit is set, exceeding the SVM <sub>L</sub> voltage level triggers a POR.
<b>SVSLPE</b>	Bit 8	SVS low-side power-on reset enable. If this bit is set, falling below the SVS <sub>L</sub> voltage level triggers a POR.
<b>Reserved</b>	Bit 7	Reserved. Always read 0.
<b>SVMHVLRIE</b>	Bit 6	SVM high-side reset voltage level interrupt enable
<b>SVMHIE</b>	Bit 5	SVM high-side interrupt enable. This bit is cleared by software or if the interrupt vector word is read.
<b>SVSMHDLYIE</b>	Bit 4	SVS and SVM high-side delay expired interrupt enable
<b>Reserved</b>	Bit 3	Reserved. Always read 0.
<b>SVMLVLRIE</b>	Bit 2	SVM low-side reset voltage level interrupt enable
<b>SVMLIE</b>	Bit 1	SVM low-side interrupt enable. This bit is cleared by software or if the interrupt vector word is read.
<b>SVSMLDLYIE</b>	Bit 0	SVS and SVM low-side delay expired interrupt enable

**Power Mode 5 Control Register 0 (PM5CTL0)**

15	14	13	12	11	10	9	8
Reserved	Reserved	Reserved	Reserved	Reserved	Reserved	Reserved	Reserved
r0	r0	r0	r0	r0	r0	r0	r0
7	6	5	4	3	2	1	0
Reserved	Reserved	Reserved	Reserved	Reserved	Reserved	Reserved	<b>LOCKIO</b>
r0	r0	r0	r0	r0	r0	r0	rw-[0]

<b>Reserved</b>	Bits 15-1	Reserved. Always read as zero.
<b>LOCKIO</b>	Bit 0	Lock I/O pin configuration upon entry/exit to/from LPM5. Once power is applied to the device, this bit, once set, can only be cleared by the user or via another power cycle. 0 I/O pin configuration is not locked and defaults to its reset condition. 1 I/O pin configuration remains locked. Pin state is held during LPM5 entry and exit.





## CPUX

This chapter describes the extended MSP430X 16-bit RISC CPU (CPUX) with 1-MB memory access, its addressing modes, and instruction set.

**Note:** The MSP430X CPU implemented on MSP430F5xx devices has, in some cases, slightly different cycle counts from the MSP430X CPU implemented on the 2xx and 4xx families.

Topic	Page
5.1 MSP430X CPU (CPUX) Introduction .....	106
5.2 Interrupts .....	108
5.3 CPU Registers.....	109
5.4 Addressing Modes.....	115
5.5 MSP430 and MSP430X Instructions .....	133
5.6 Instruction Set Description .....	149

## 5.1 MSP430X CPU (CPUX) Introduction

The MSP430X CPU incorporates features specifically designed for modern programming techniques, such as calculated branching, table processing, and the use of high-level languages such as C. The MSP430X CPU can address a 1-MB address range without paging. The MSP430X CPU is completely backwards compatible with the MSP430 CPU.

The MSP430X CPU features include:

- RISC architecture
- Orthogonal architecture
- Full register access including program counter (PC), status register (SR), and stack pointer (SP)
- Single-cycle register operations
- Large register file reduces fetches to memory.
- 20-bit address bus allows direct access and branching throughout the entire memory range without paging.
- 16-bit data bus allows direct manipulation of word-wide arguments.
- Constant generator provides the six most often used immediate values and reduces code size.
- Direct memory-to-memory transfers without intermediate register holding
- Byte, word, and 20-bit address-word addressing

The block diagram of the MSP430X CPU is shown in [Figure 5-1](#).

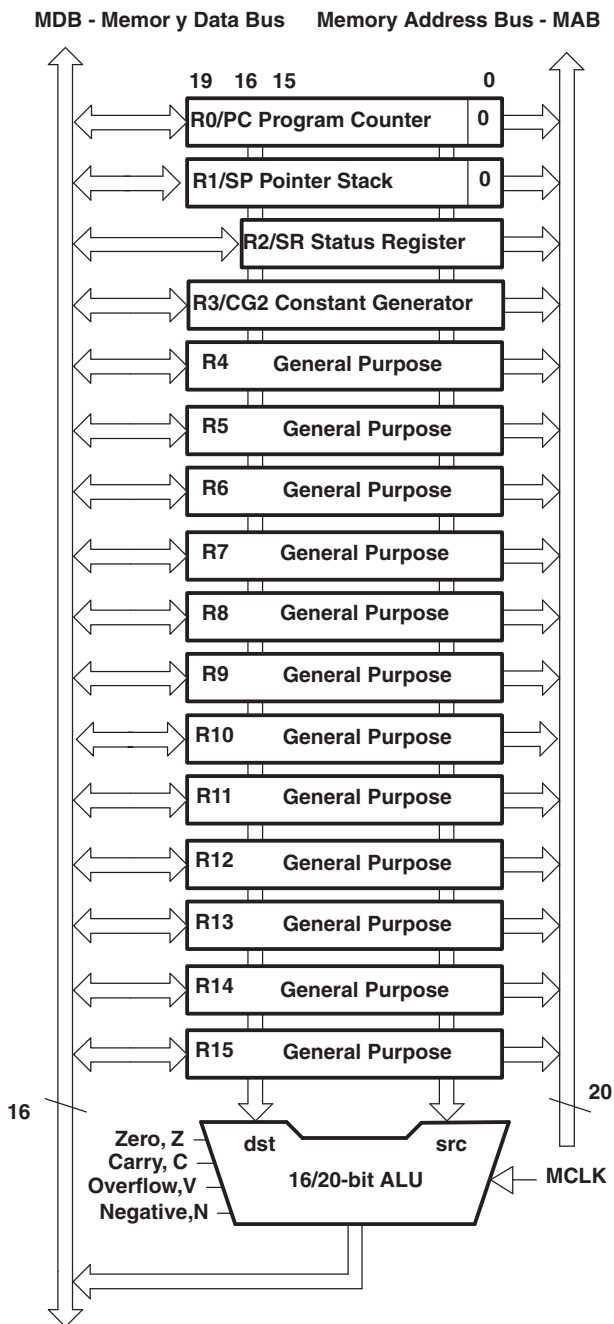


Figure 5-1. MSP430X CPU Block Diagram

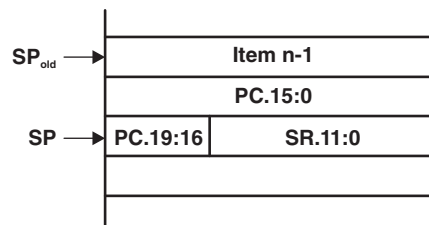
## 5.2 Interrupts

The MSP430X has the following interrupt structure:

- Vectored interrupts with no polling necessary
- Interrupt vectors are located downward from address 0FFFEh.

The interrupt vectors contain 16-bit addresses that point into the lower 64-KB memory. This means all interrupt handlers must start in the lower 64-KB memory.

During an interrupt, the program counter (PC) and the status register (SR) are pushed onto the stack as shown in [Figure 5-2](#). The MSP430X architecture stores the complete 20-bit PC value efficiently by appending the PC bits 19:16 to the stored SR value automatically on the stack. When the RETI instruction is executed, the full 20-bit PC is restored making return from interrupt to any address in the memory range possible.



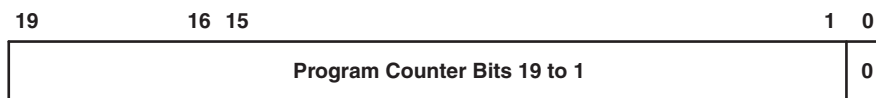
**Figure 5-2. PC Storage on the Stack for Interrupts**

### 5.3 CPU Registers

The CPU incorporates 16 registers (R0 through R15). Registers R0, R1, R2, and R3 have dedicated functions. Registers R4 through R15 are working registers for general use.

#### 5.3.1 Program Counter (PC)

The 20-bit PC (PC/R0) points to the next instruction to be executed. Each instruction uses an even number of bytes (2, 4, 6, or 8 bytes), and the PC is incremented accordingly. Instruction accesses are performed on word boundaries, and the PC is aligned to even addresses. [Figure 5-3](#) shows the PC.



**Figure 5-3. Program Counter**

The PC can be addressed with all instructions and addressing modes. A few examples:

```
MOV.W #LABEL,PC ; Branch to address LABEL (lower 64 KB)
```

```
MOVA #LABEL,PC ; Branch to address LABEL (1MB memory)
```

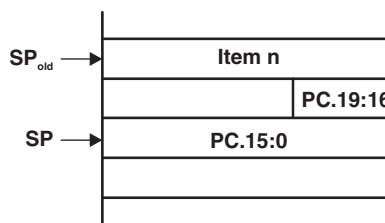
```
MOV.W LABEL,PC ; Branch to address in word LABEL
; (lower 64 KB)
```

```
MOV.W @R14,PC ; Branch indirect to address in
; R14 (lower 64 KB)
```

```
ADDA #4,PC ; Skip two words (1 MB memory)
```

The BR and CALL instructions reset the upper four PC bits to 0. Only addresses in the lower 64-KB address range can be reached with the BR or CALL instruction. When branching or calling, addresses beyond the lower 64-KB range can only be reached using the BRA or CALLA instructions. Also, any instruction to directly modify the PC does so according to the used addressing mode. For example, `MOV.W #value,PC` clears the upper four bits of the PC, because it is a .W instruction.

The PC is automatically stored on the stack with CALL (or CALLA) instructions and during an interrupt service routine. [Figure 5-4](#) shows the storage of the PC with the return address after a CALLA instruction. A CALL instruction stores only bits 15:0 of the PC.



**Figure 5-4. PC Storage on the Stack for CALLA**

The RETA instruction restores bits 19:0 of the PC and adds 4 to the stack pointer (SP). The RET instruction restores bits 15:0 to the PC and adds 2 to the SP.

#### 5.3.2 Stack Pointer (SP)

The 20-bit SP (SP/R1) is used by the CPU to store the return addresses of subroutine calls and interrupts. It uses a predecrement, postincrement scheme. In addition, the SP can be used by software with all instructions and addressing modes. [Figure 5-5](#) shows the SP. The SP is initialized into RAM by the user, and is always aligned to even addresses.

Figure 5-6 shows the stack usage. Figure 5-7 shows the stack usage when 20-bit address words are pushed.

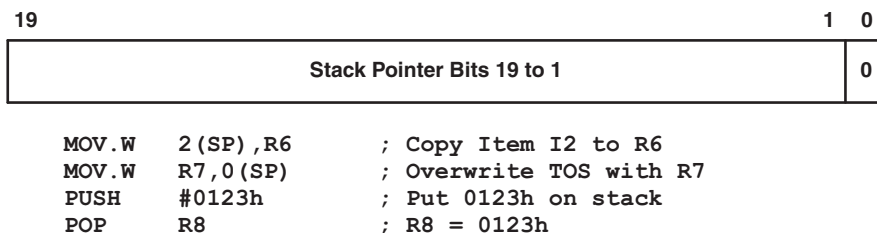


Figure 5-5. Stack Pointer

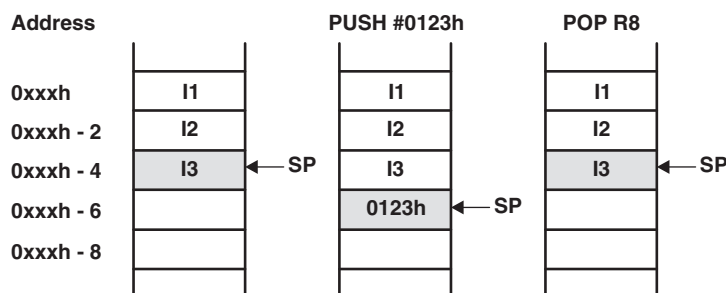


Figure 5-6. Stack Usage

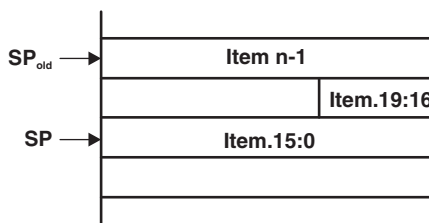


Figure 5-7. PUSHX.A Format on the Stack

The special cases of using the SP as an argument to the PUSH and POP instructions are described and shown in Figure 5-8.

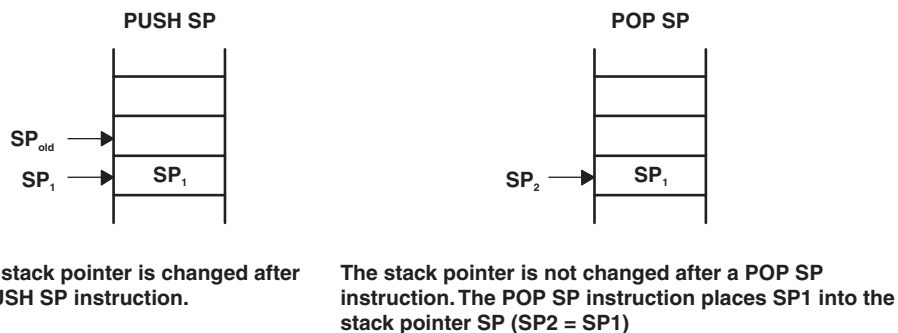
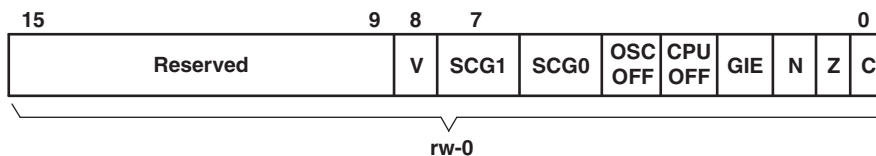


Figure 5-8. PUSH SP, POP SP Sequence

### 5.3.3 Status Register (SR)

The 16-bit SR (SR/R2), used as a source or destination register, can only be used in register mode addressed with word instructions. The remaining combinations of addressing modes are used to support the constant generator. Figure 5-9 shows the SR bits. Do not write 20-bit values to the SR. Unpredictable operation can result.



**Figure 5-9. SR Bits**

Table 5-1 describes the SR bits.

**Table 5-1. SR Bit Description**

Bit	Description
Reserved	Reserved
V	<p>Overflow. This bit is set when the result of an arithmetic operation overflows the signed-variable range.</p> <p>Set when: positive + positive = negative negative + negative = positive otherwise reset</p> <p>Set when: positive – negative = negative negative – positive = positive otherwise reset</p>
SCG1	System clock generator 1. This bit, when set, turns off the DCO dc generator if DCOCLK is not used for MCLK or SMCLK.
SCG0	System clock generator 0. This bit, when set, turns off the FLL+ loop control.
OSCOFF	Oscillator off. This bit, when set, turns off the LFXT1 crystal oscillator when LFXT1CLK is not used for MCLK or SMCLK.
CPUOFF	CPU off. This bit, when set, turns off the CPU.
GIE	General interrupt enable. This bit, when set, enables maskable interrupts. When reset, all maskable interrupts are disabled.
N	Negative. This bit is set when the result of an operation is negative and cleared when the result is positive.
Z	Zero. This bit is set when the result of an operation is 0 and cleared when the result is not 0.
C	Carry. This bit is set when the result of an operation produced a carry and cleared when no carry occurred.

---

**Note:** Bit manipulations of the SR should be done via the following instructions: *MOV*, *BIS*, and *BIC*.

---

### 5.3.4 Constant Generator Registers (CG1 and CG2)

Six commonly-used constants are generated with the constant generator registers R2 (CG1) and R3 (CG2), without requiring an additional 16-bit word of program code. The constants are selected with the source register addressing modes (As), as described in [Table 5-2](#).

**Table 5-2. Values of Constant Generators CG1, CG2**

Register	As	Constant	Remarks
R2	00	–	Register mode
R2	01	(0)	Absolute address mode
R2	10	00004h	+4, bit processing
R2	11	00008h	+8, bit processing
R3	00	00000h	0, word processing
R3	01	00001h	+1
R3	10	00002h	+2, bit processing
R3	11	FFh, FFFFh, FFFFFh	–1, word processing

The constant generator advantages are:

- No special instructions required
- No additional code word for the six constants
- No code memory access required to retrieve the constant

The assembler uses the constant generator automatically if one of the six constants is used as an immediate source operand. Registers R2 and R3, used in the constant mode, cannot be addressed explicitly; they act as source-only registers.

### Constant Generator – Expanded Instruction Set

The RISC instruction set of the MSP430 has only 27 instructions. However, the constant generator allows the MSP430 assembler to support 24 additional emulated instructions. For example, the single-operand instruction:

```
CLR    dst
```

is emulated by the double-operand instruction with the same length:

```
MOV    R3, dst
```

where the #0 is replaced by the assembler, and R3 is used with As = 00.

```
INC    dst
```

is replaced by:

```
ADD    0(R3), dst
```

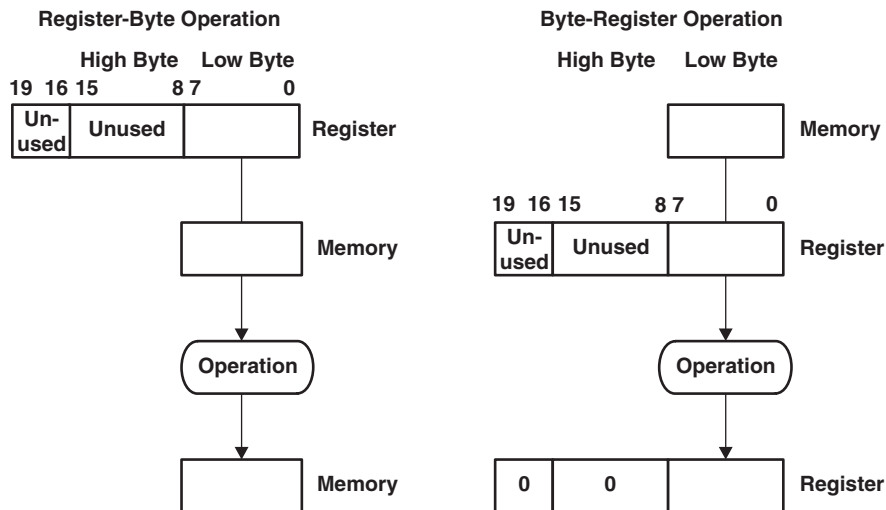


### 5.3.5 General-Purpose Registers (R4 –R15)

The 12 CPU registers (R4 to R15) contain 8-bit, 16-bit, or 20-bit values. Any byte-write to a CPU register clears bits 19:8. Any word-write to a register clears bits 19:16. The only exception is the SXT instruction. The SXT instruction extends the sign through the complete 20-bit register.

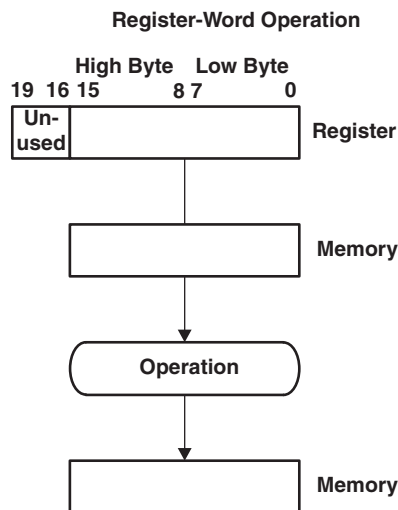
The following figures show the handling of byte, word, and address-word data. Note the reset of the leading most significant bits (MSBs) if a register is the destination of a byte or word instruction.

Figure 5-10 shows byte handling (8-bit data, .B suffix). The handling is shown for a source register and a destination memory byte and for a source memory byte and a destination register.

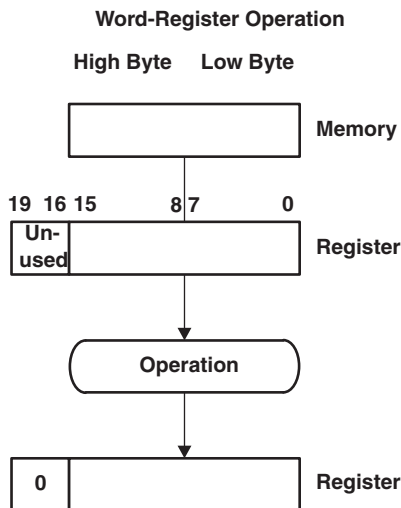


**Figure 5-10. Register-Byte/Byte-Register Operation**

Figure 5-11 and Figure 5-12 show 16-bit word handling (.W suffix). The handling is shown for a source register and a destination memory word and for a source memory word and a destination register.

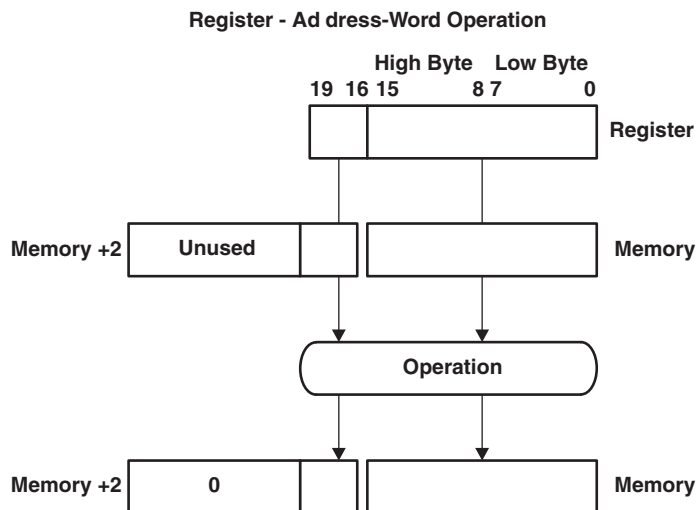


**Figure 5-11. Register-Word Operation**

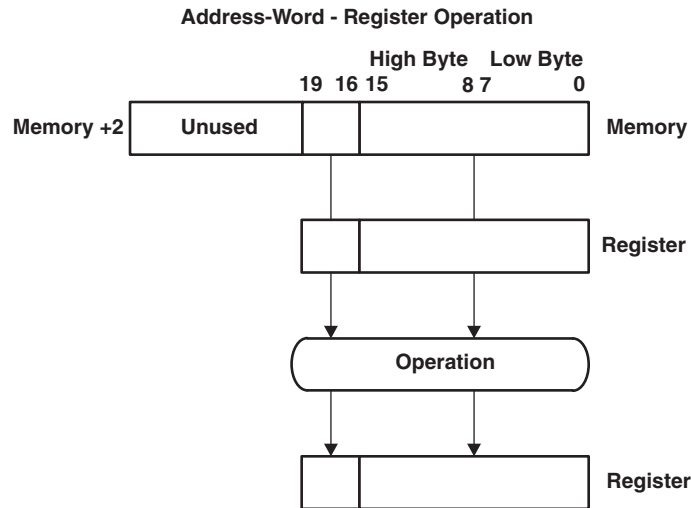


**Figure 5-12. Word-Register Operation**

Figure 5-13 and Figure 5-14 show 20-bit address-word handling (.A suffix). The handling is shown for a source register and a destination memory address-word and for a source memory address-word and a destination register.



**Figure 5-13. Register – Address-Word Operation**



**Figure 5-14. Address-Word – Register Operation**

## 5.4 Addressing Modes

Seven addressing modes for the source operand and four addressing modes for the destination operand use 16-bit or 20-bit addresses (see [Table 5-3](#)). The MSP430 and MSP430X instructions are usable throughout the entire 1-MB memory range.

**Table 5-3. Source/Destination Addressing**

As/Ad	Addressing Mode	Syntax	Description
00/0	Register	Rn	Register contents are operand.
01/1	Indexed	X(Rn)	(Rn + X) points to the operand. X is stored in the next word, or stored in combination of the preceding extension word and the next word.
01/1	Symbolic	ADDR	(PC + X) points to the operand. X is stored in the next word, or stored in combination of the preceding extension word and the next word. Indexed mode X(PC) is used.
01/1	Absolute	&ADDR	The word following the instruction contains the absolute address. X is stored in the next word, or stored in combination of the preceding extension word and the next word. Indexed mode X(SR) is used.
10/–	Indirect Register	@Rn	Rn is used as a pointer to the operand.
11/–	Indirect Autoincrement	@Rn+	Rn is used as a pointer to the operand. Rn is incremented afterwards by 1 for .B instructions, by 2 for .W instructions, and by 4 for .A instructions.
11/–	Immediate	#N	N is stored in the next word, or stored in combination of the preceding extension word and the next word. Indirect autoincrement mode @PC+ is used.

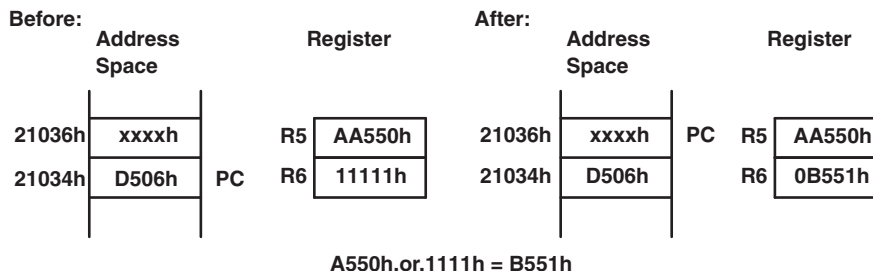
The seven addressing modes are explained in detail in the following sections. Most of the examples show the same addressing mode for the source and destination, but any valid combination of source and destination addressing modes is possible in an instruction.

**Note: Use of Labels EDE, TONI, TOM, and LEO**

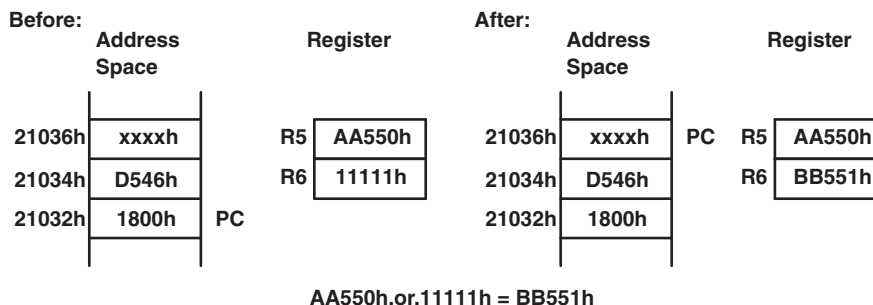
Throughout MSP430 documentation, EDE, TONI, TOM, and LEO are used as generic labels. They are only labels and have no special meaning.

### 5.4.1 Register Mode

- Operation:** The operand is the 8-, 16-, or 20-bit content of the used CPU register.
- Length:** One, two, or three words
- Comment:** Valid for source and destination
- Byte operation:** Byte operation reads only the eight least significant bits (LSBs) of the source register Rsrc and writes the result to the eight LSBs of the destination register Rdst. The bits Rdst.19:8 are cleared. The register Rsrc is not modified.
- Word operation:** Word operation reads the 16 LSBs of the source register Rsrc and writes the result to the 16 LSBs of the destination register Rdst. The bits Rdst.19:16 are cleared. The register Rsrc is not modified.
- Address-word operation:** Address-word operation reads the 20 bits of the source register Rsrc and writes the result to the 20 bits of the destination register Rdst. The register Rsrc is not modified
- SXT exception:** The SXT instruction is the only exception for register operation. The sign of the low byte in bit 7 is extended to the bits Rdst.19:8.
- Example:** `BIS.W R5, R6 ;`  
 This instruction logically ORs the 16-bit data contained in R5 with the 16-bit contents of R6. R6.19:16 is cleared.



- Example:** `BISX.A R5, R6 ;`  
 This instruction logically ORs the 20-bit data contained in R5 with the 20-bit contents of R6.  
 The extension word contains the A/L bit for 20-bit data. The instruction word uses byte mode with bits A/L:B/W = 01. The result of the instruction is:



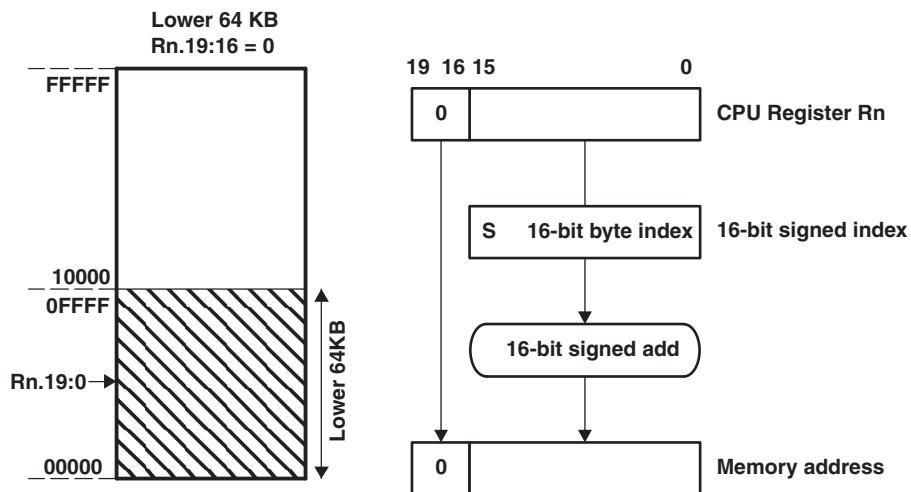
## 5.4.2 Indexed Mode

The Indexed mode calculates the address of the operand by adding the signed index to a CPU register. The Indexed mode has three addressing possibilities:

- Indexed mode in lower 64-KB memory
- MSP430 instruction with Indexed mode addressing memory above the lower 64-KB memory
- MSP430X instruction with Indexed mode

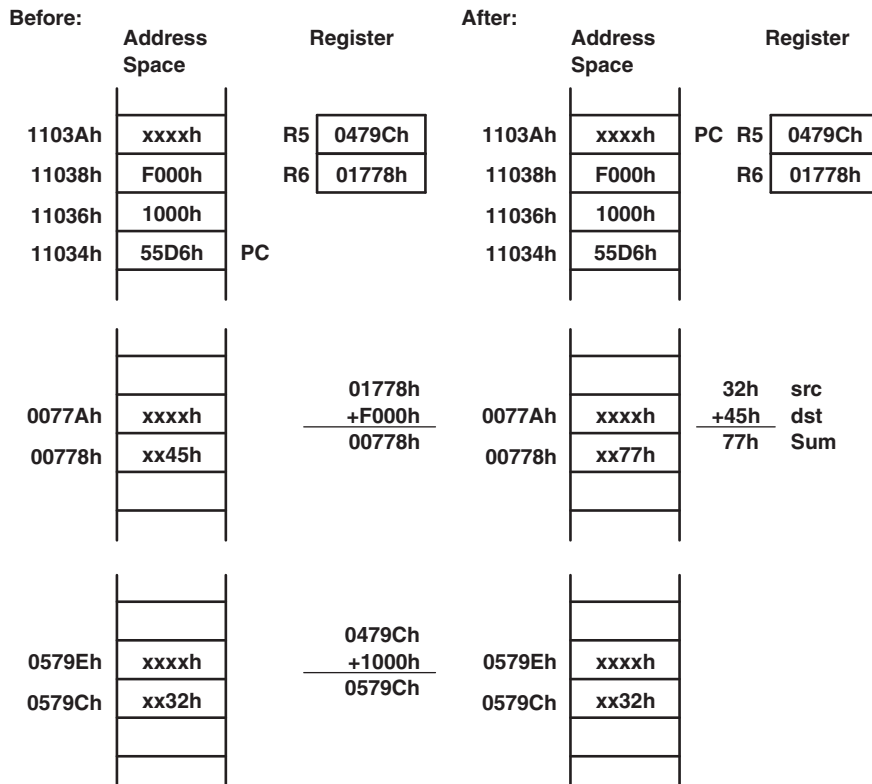
### Indexed Mode in Lower 64-KB Memory

If the CPU register Rn points to an address in the lower 64 KB of the memory range, the calculated memory address bits 19:16 are cleared after the addition of the CPU register Rn and the signed 16-bit index. This means the calculated memory address is always located in the lower 64 KB and does not overflow or underflow out of the lower 64-KB memory space. The RAM and the peripheral registers can be accessed this way and existing MSP430 software is usable without modifications as shown in [Figure 5-15](#).



**Figure 5-15. Indexed Mode in Lower 64 KB**

Length:	Two or three words
Operation:	The signed 16-bit index is located in the next word after the instruction and is added to the CPU register Rn. The resulting bits 19:16 are cleared giving a truncated 16-bit memory address, which points to an operand address in the range 00000h to 0FFFFh. The operand is the content of the addressed memory location.
Comment:	Valid for source and destination. The assembler calculates the register index and inserts it.
Example:	<p><code>ADD.B 1000h(R5) , 0F000h(R6) ;</code></p> <p>This instruction adds the 8-bit data contained in source byte 1000h(R5) and the destination byte 0F000h(R6) and places the result into the destination byte. Source and destination bytes are both located in the lower 64 KB due to the cleared bits 19:16 of registers R5 and R6.</p>
Source:	The byte pointed to by R5 + 1000h results in address 0479Ch + 1000h = 0579Ch after truncation to a 16-bit address.
Destination:	The byte pointed to by R6 + F000h results in address 01778h + F000h = 00778h after truncation to a 16-bit address.



### MSP430 Instruction With Indexed Mode in Upper Memory

If the CPU register Rn points to an address above the lower 64-KB memory, the Rn bits 19:16 are used for the address calculation of the operand. The operand may be located in memory in the range Rn 32 KB, because the index, X, is a signed 16-bit value. In this case, the address of the operand can overflow or underflow into the lower 64-KB memory space (see Figure 5-16 and Figure 5-17).

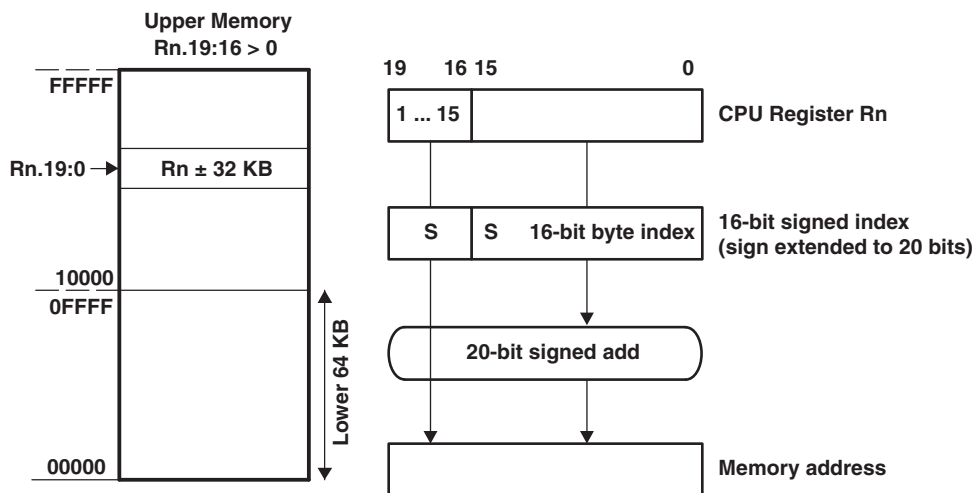
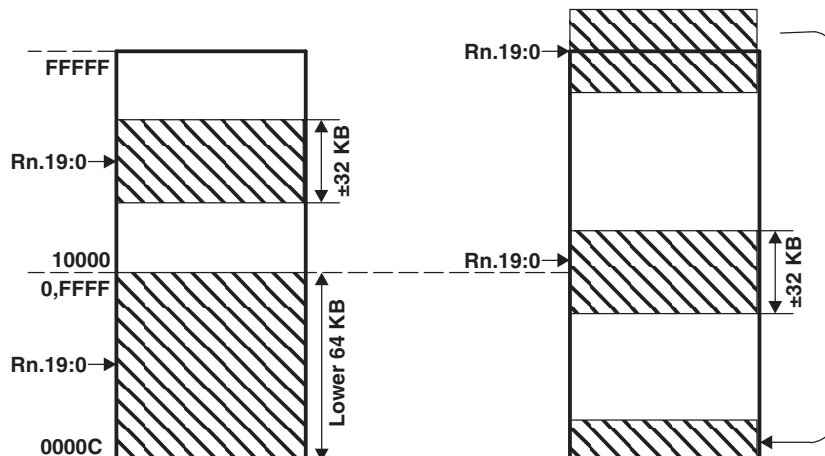


Figure 5-16. Indexed Mode in Upper Memory



**Figure 5-17. Overflow and Underflow for Indexed Mode**

Length:	Two or three words
Operation:	The sign-extended 16-bit index in the next word after the instruction is added to the 20 bits of the CPU register Rn. This delivers a 20-bit address, which points to an address in the range 0 to FFFFh. The operand is the content of the addressed memory location.
Comment:	Valid for source and destination. The assembler calculates the register index and inserts it.
Example:	<p>ADD.W 8346h(R5) , 2100h(R6) ;</p> <p>This instruction adds the 16-bit data contained in the source and the destination addresses and places the 16-bit result into the destination. Source and destination operand can be located in the entire address range.</p>
Source:	The word pointed to by R5 + 8346h. The negative index 8346h is sign extended, which results in address 23456h + F8346h = 1B79Ch.
Destination:	The word pointed to by R6 + 2100h results in address 15678h + 2100h = 17778h.

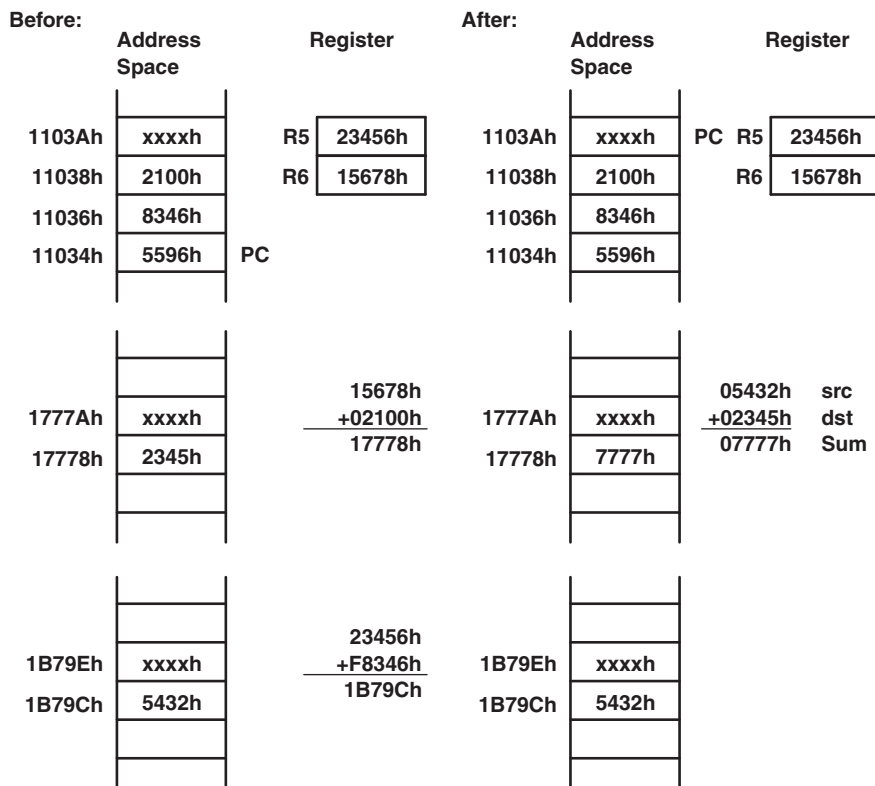


Figure 5-18. Example for Indexed Mode

### MSP430X Instruction With Indexed Mode

When using an MSP430X instruction with Indexed mode, the operand can be located anywhere in the range of  $R_n + 19$  bits.

Length: Three or four words

Operation: The operand address is the sum of the 20-bit CPU register content and the 20-bit index. The 4 MSBs of the index are contained in the extension word; the 16 LSBs are contained in the word following the instruction. The CPU register is not modified

Comment: Valid for source and destination. The assembler calculates the register index and inserts it.

Example: `ADDX.A 12346h(R5), 32100h(R6) ;`

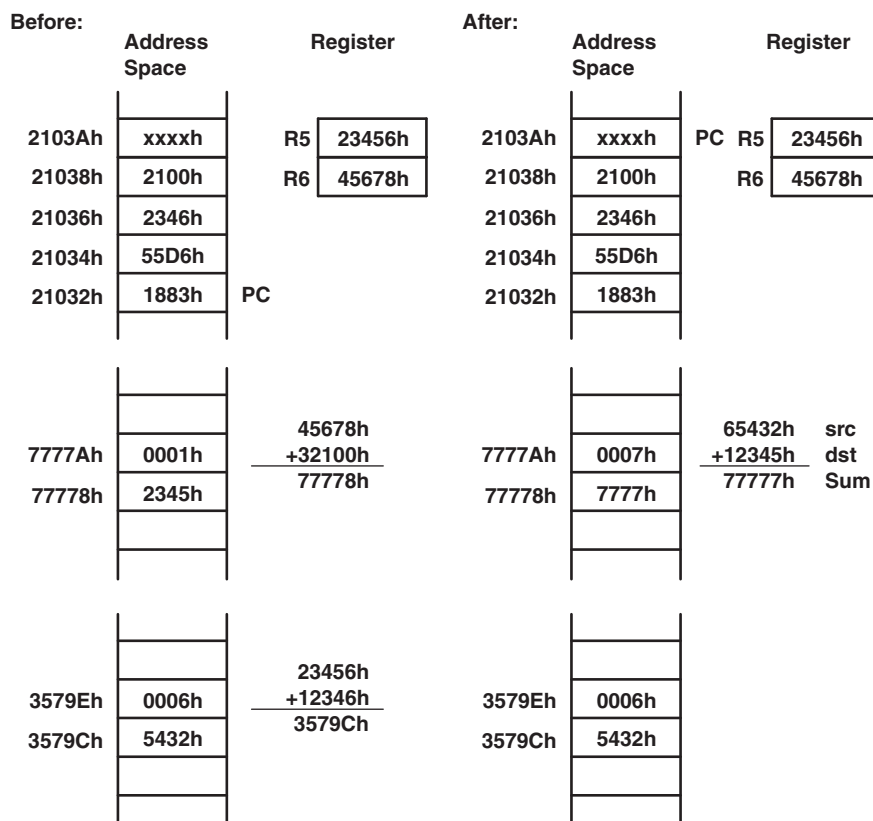
This instruction adds the 20-bit data contained in the source and the destination addresses and places the result into the destination.

Source: Two words pointed to by  $R5 + 12346h$  which results in address  $23456h + 12346h = 3579Ch$ .

Destination: Two words pointed to by  $R6 + 32100h$  which results in address  $45678h + 32100h = 77778h$ .



The extension word contains the MSBs of the source index and of the destination index and the A/L bit for 20-bit data. The instruction word uses byte mode due to the 20-bit data length with bits A/L:B/W = 01.



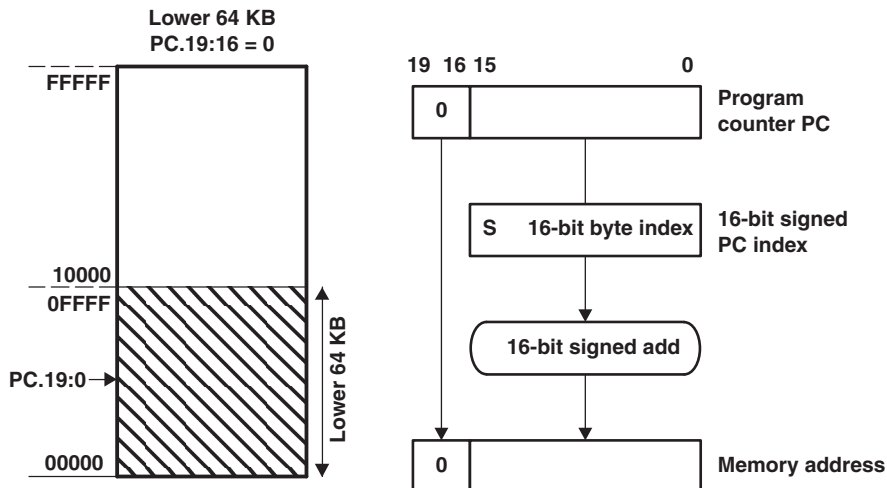
### 5.4.3 Symbolic Mode

The Symbolic mode calculates the address of the operand by adding the signed index to the PC. The Symbolic mode has three addressing possibilities:

- Symbolic mode in lower 64-KB memory
- MSP430 instruction with Symbolic mode addressing memory above the lower 64-KB memory.
- MSP430X instruction with Symbolic mode

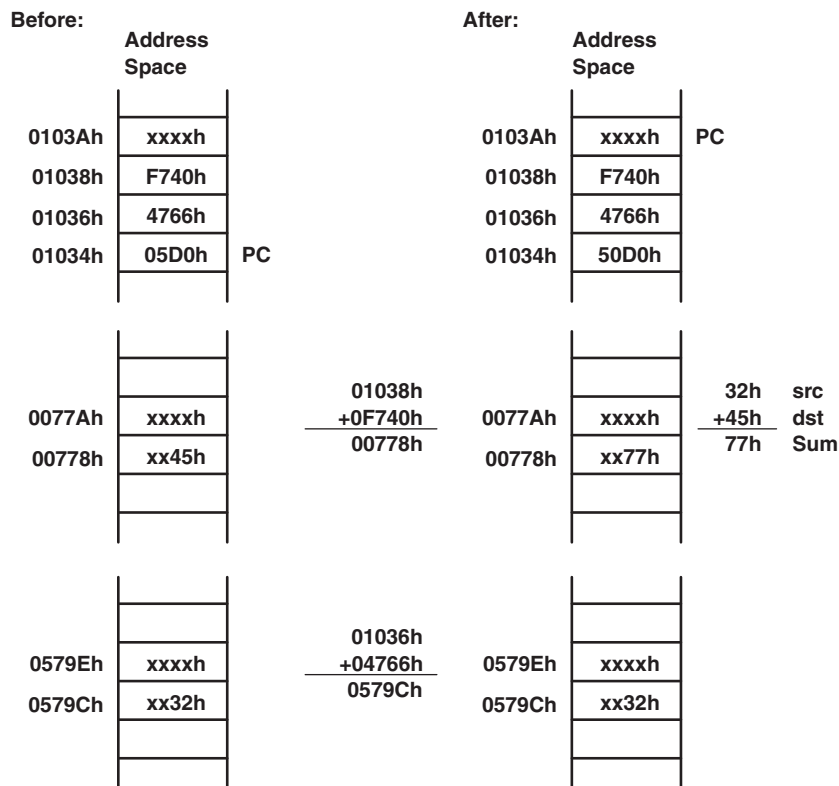
#### Symbolic Mode in Lower 64 KB

If the PC points to an address in the lower 64 KB of the memory range, the calculated memory address bits 19:16 are cleared after the addition of the PC and the signed 16-bit index. This means the calculated memory address is always located in the lower 64 KB and does not overflow or underflow out of the lower 64-KB memory space. The RAM and the peripheral registers can be accessed this way and existing MSP430 software is usable without modifications as shown in [Figure 5-19](#).



**Figure 5-19. Symbolic Mode Running in Lower 64 KB**

- Operation:** The signed 16-bit index in the next word after the instruction is added temporarily to the PC. The resulting bits 19:16 are cleared giving a truncated 16-bit memory address, which points to an operand address in the range 00000h to 0FFFFh. The operand is the content of the addressed memory location.
- Length:** Two or three words
- Comment:** Valid for source and destination. The assembler calculates the PC index and inserts it.
- Example:** `ADD.B EDE, TONI ;`  
This instruction adds the 8-bit data contained in source byte EDE and destination byte TONI and places the result into the destination byte TONI. Bytes EDE and TONI and the program are located in the lower 64 KB.
- Source:** Byte EDE located at address 0579Ch, pointed to by PC + 4766h, where the PC index 4766h is the result of 0579Ch – 01036h = 04766h. Address 01036h is the location of the index for this example.
- Destination:** Byte TONI located at address 00778h, pointed to by PC + F740h, is the truncated 16-bit result of 00778h – 1038h = FF740h. Address 01038h is the location of the index for this example.



### MSP430 Instruction With Symbolic Mode in Upper Memory

If the PC points to an address above the lower 64-KB memory, the PC bits 19:16 are used for the address calculation of the operand. The operand may be located in memory in the range PC 32 KB, because the index, X, is a signed 16-bit value. In this case, the address of the operand can overflow or underflow into the lower 64-KB memory space as shown in [Figure 5-20](#) and [Figure 5-21](#).

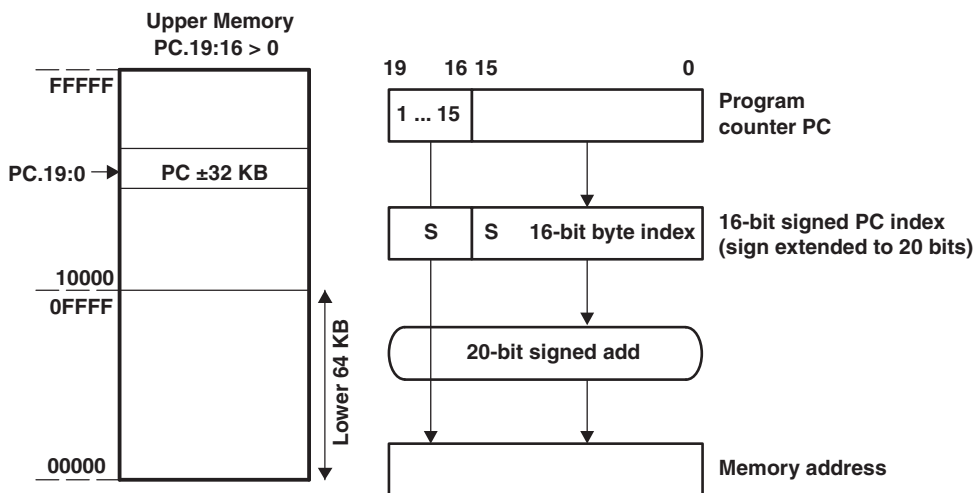
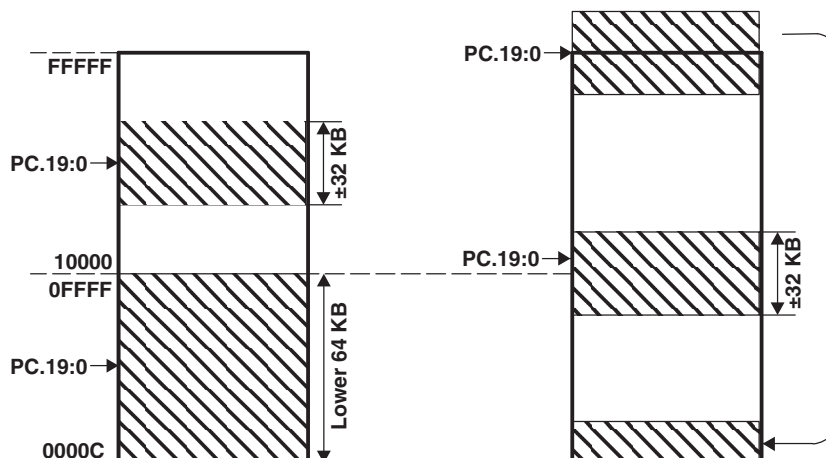
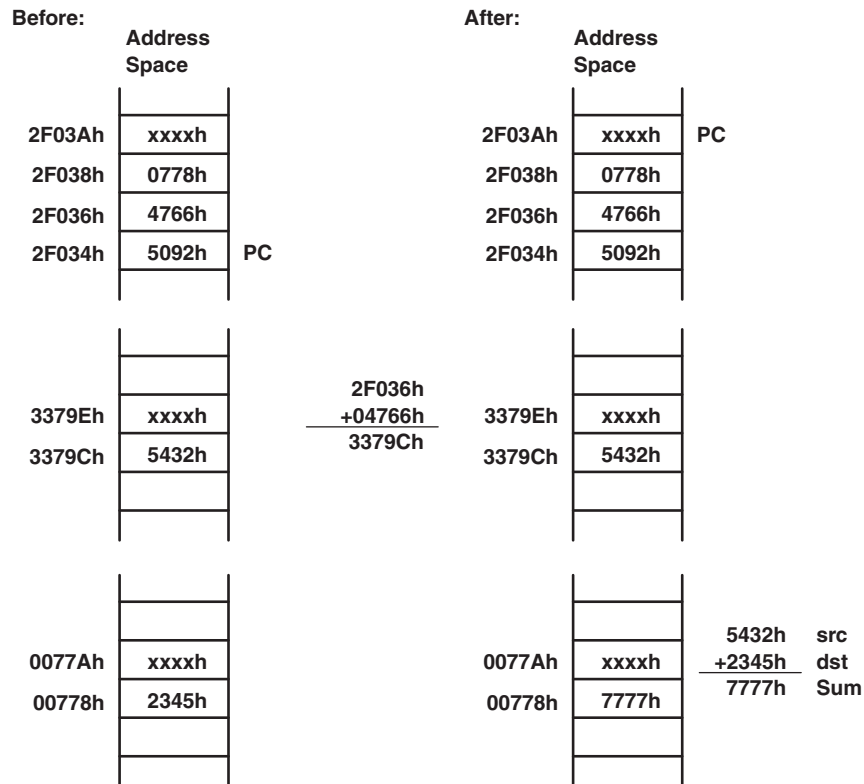


Figure 5-20. Symbolic Mode Running in Upper Memory



**Figure 5-21. Overflow and Underflow for Symbolic Mode**

Length:	Two or three words
Operation:	The sign-extended 16-bit index in the next word after the instruction is added to the 20 bits of the PC. This delivers a 20-bit address, which points to an address in the range 0 to FFFFh. The operand is the content of the addressed memory location.
Comment:	Valid for source and destination. The assembler calculates the PC index and inserts it
Example:	<p>ADD.W EDE, &amp;TONI ;</p> <p>This instruction adds the 16-bit data contained in source word EDE and destination word TONI and places the 16-bit result into the destination word TONI. For this example, the instruction is located at address 2F034h.</p>
Source:	Word EDE at address 3379Ch, pointed to by PC + 4766h, which is the 16-bit result of 3379Ch - 2F036h = 04766h. Address 2F036h is the location of the index for this example.
Destination:	Word TONI located at address 00778h pointed to by the absolute address 00778h



### MSP430X Instruction With Symbolic Mode

When using an MSP430X instruction with Symbolic mode, the operand can be located anywhere in the range of PC + 19 bits.

Length: Three or four words

Operation: The operand address is the sum of the 20-bit PC and the 20-bit index. The 4 MSBs of the index are contained in the extension word; the 16 LSBs are contained in the word following the instruction.

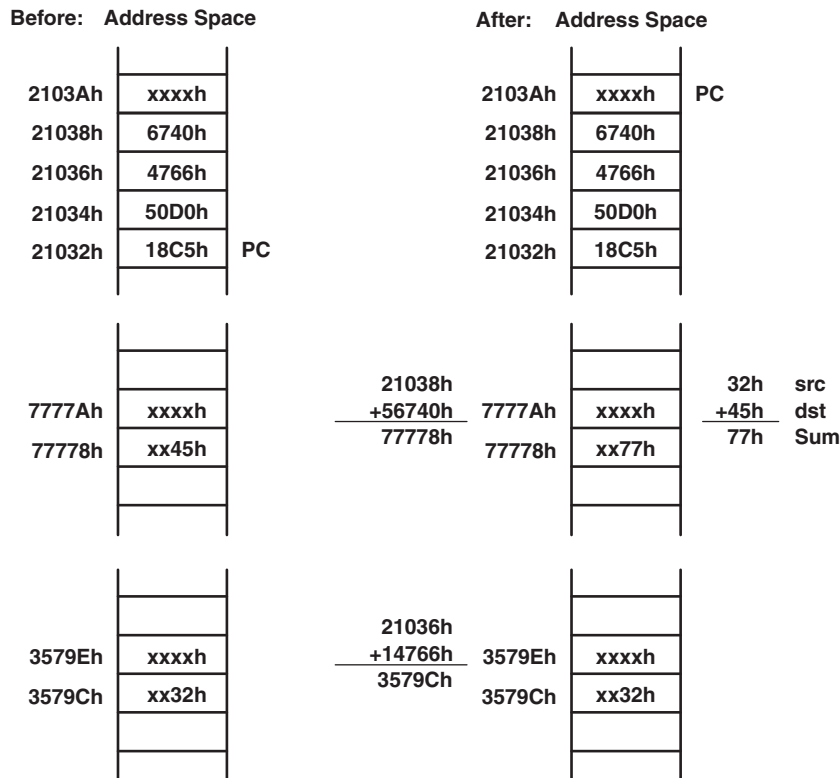
Comment: Valid for source and destination. The assembler calculates the register index and inserts it.

Example: `ADDX .B EDE, TONI ;`

This instruction adds the 8-bit data contained in source byte EDE and destination byte TONI and places the result into the destination byte TONI.

Source: Byte EDE located at address 3579Ch, pointed to by PC + 14766h, is the 20-bit result of 3579Ch – 21036h = 14766h. Address 21036h is the address of the index in this example.

Destination: Byte TONI located at address 77778h, pointed to by PC + 56740h, is the 20-bit result of 77778h – 21038h = 56740h. Address 21038h is the address of the index in this example.



#### 5.4.4 Absolute Mode

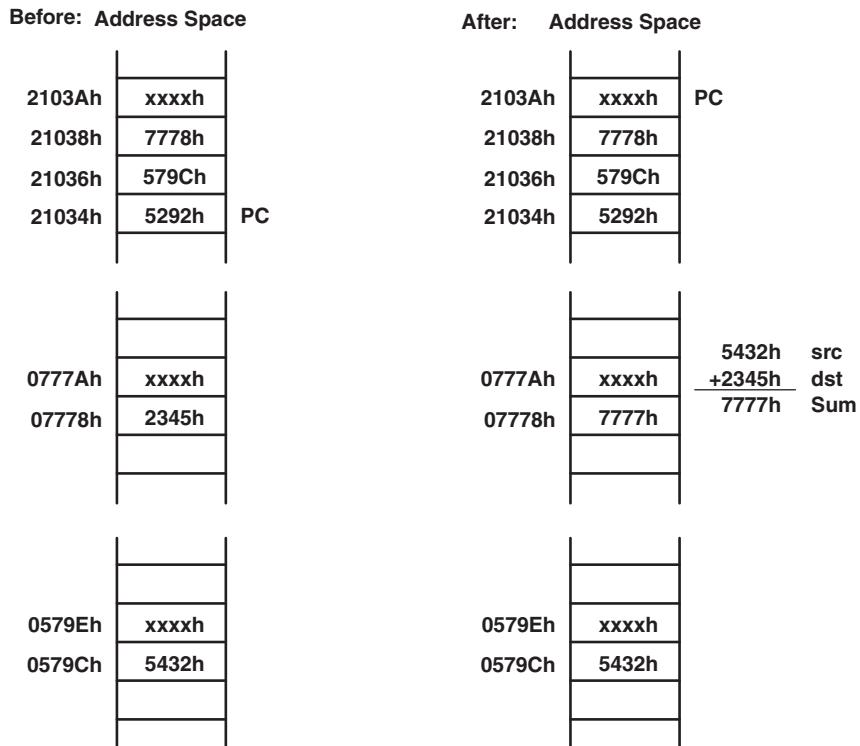
The Absolute mode uses the contents of the word following the instruction as the address of the operand. The Absolute mode has two addressing possibilities:

- Absolute mode in lower 64-KB memory
- MSP430X instruction with Absolute mode

##### Absolute Mode in Lower 64 KB

If an MSP430 instruction is used with Absolute addressing mode, the absolute address is a 16-bit value and, therefore, points to an address in the lower 64 KB of the memory range. The address is calculated as an index from 0 and is stored in the word following the instruction. The RAM and the peripheral registers can be accessed this way and existing MSP430 software is usable without modifications.

Length:	Two or three words
Operation:	The operand is the content of the addressed memory location.
Comment:	Valid for source and destination. The assembler calculates the index from 0 and inserts it.
Example:	<pre>ADD.W &amp;EDE, &amp;TONI ;</pre> <p>This instruction adds the 16-bit data contained in the absolute source and destination addresses and places the result into the destination.</p>
Source:	Word at address EDE
Destination:	Word at address TONI



### MSP430X Instruction With Absolute Mode

If an MSP430X instruction is used with Absolute addressing mode, the absolute address is a 20-bit value and, therefore, points to any address in the memory range. The address value is calculated as an index from 0. The 4 MSBs of the index are contained in the extension word, and the 16 LSBs are contained in the word following the instruction.

Length: Three or four words

Operation: The operand is the content of the addressed memory location.

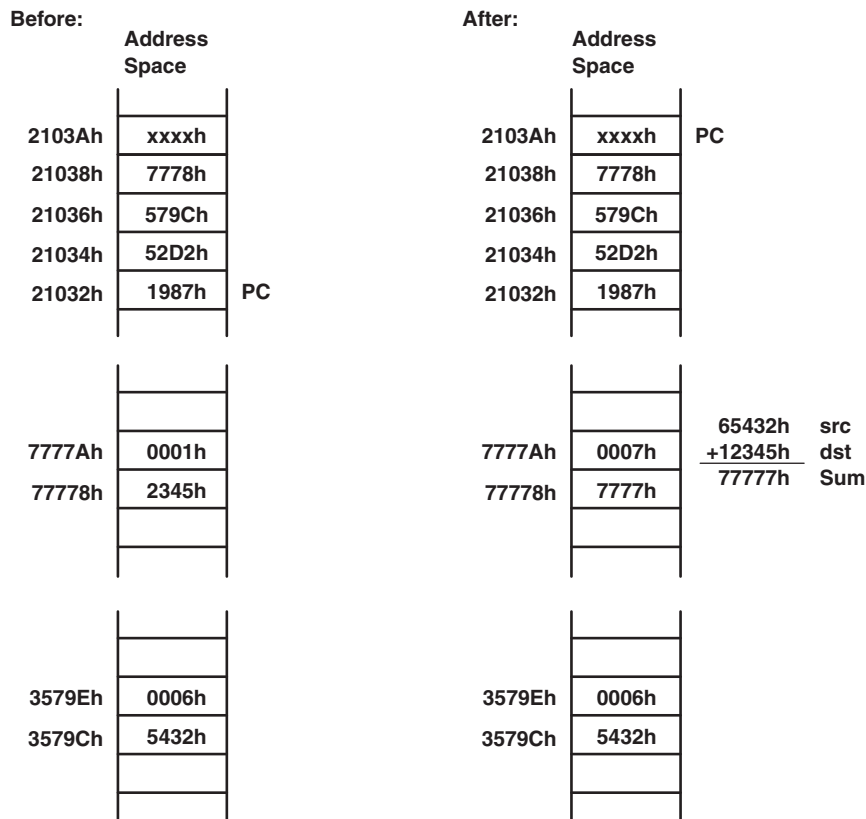
Comment: Valid for source and destination. The assembler calculates the index from 0 and inserts it.

Example: `ADDX .A &EDE, &TONI ;`

This instruction adds the 20-bit data contained in the absolute source and destination addresses and places the result into the destination.

Source: Two words beginning with address EDE

Destination: Two words beginning with address TONI



### 5.4.5 Indirect Register Mode

The Indirect Register mode uses the contents of the CPU register Rsrc as the source operand. The Indirect Register mode always uses a 20-bit address.

Length: One, two, or three words

Operation: The operand is the content the addressed memory location. The source register Rsrc is not modified.

Comment: Valid only for the source operand. The substitute for the destination operand is 0(Rdst).

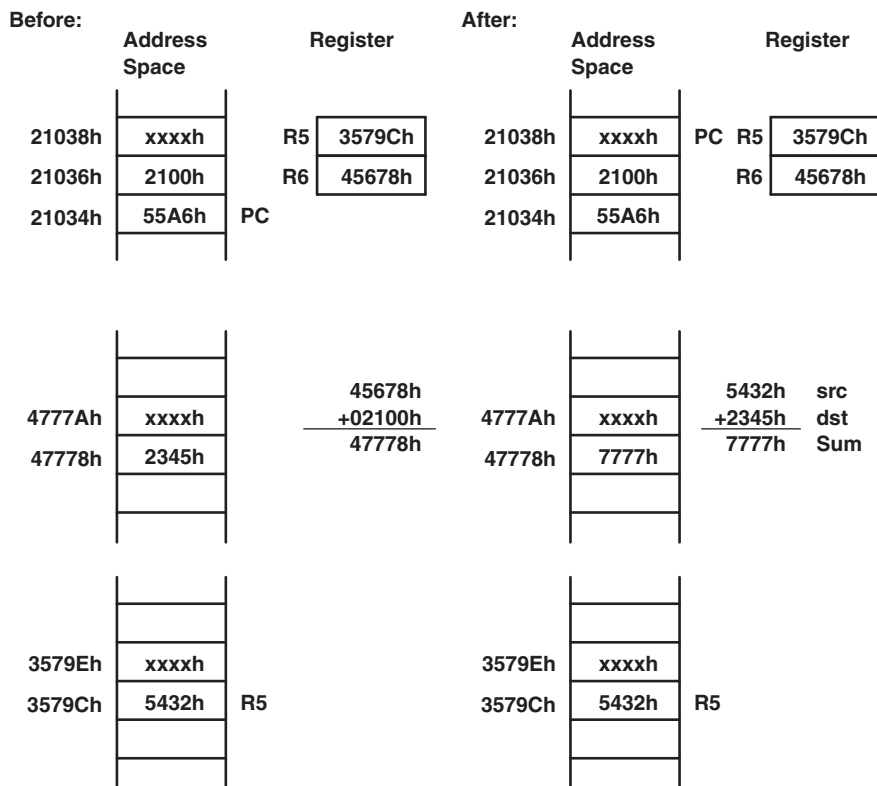
Example: `ADDX.W @R5, 2100h(R6)`

This instruction adds the two 16-bit operands contained in the source and the destination addresses and places the result into the destination.

Source: Word pointed to by R5. R5 contains address 3579Ch for this example.

Destination: Word pointed to by R6 + 2100h, which results in address 45678h + 2100h = 7778h





#### 5.4.6 Indirect Autoincrement Mode

The Indirect Autoincrement mode uses the contents of the CPU register Rsrc as the source operand. Rsrc is then automatically incremented by 1 for byte instructions, by 2 for word instructions, and by 4 for address-word instructions immediately after accessing the source operand. If the same register is used for source and destination, it contains the incremented address for the destination access. Indirect Autoincrement mode always uses 20-bit addresses.

Length: One, two, or three words

Operation: The operand is the content of the addressed memory location.

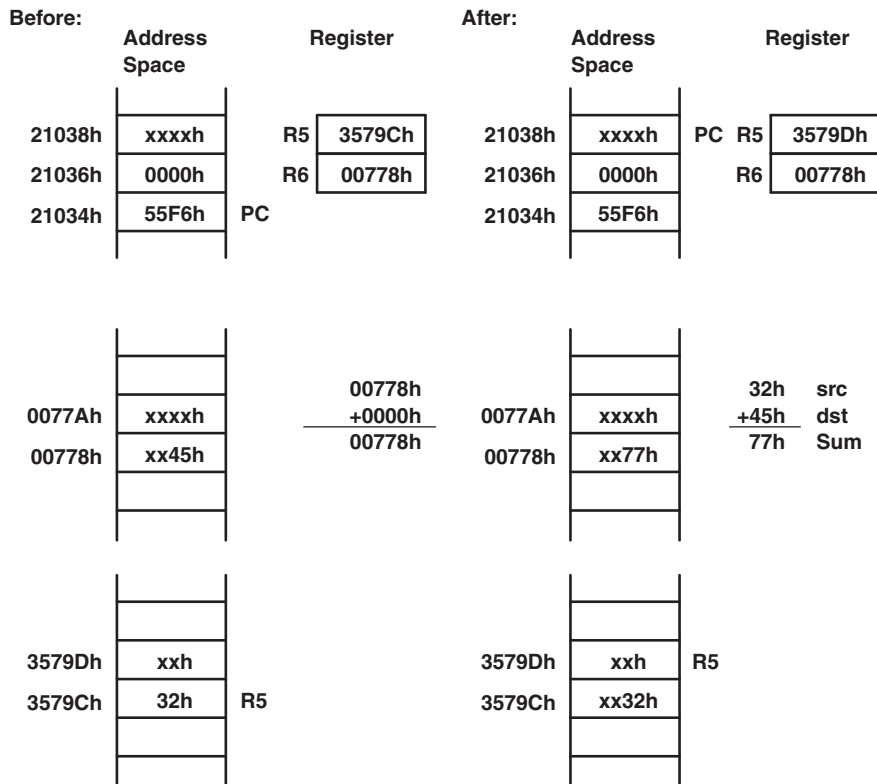
Comment: Valid only for the source operand

Example: `ADD.B @R5+, 0 (R6)`

This instruction adds the 8-bit data contained in the source and the destination addresses and places the result into the destination.

Source: Byte pointed to by R5. R5 contains address 3579Ch for this example.

Destination: Byte pointed to by R6 + 0h, which results in address 0778h for this example



### 5.4.7 Immediate Mode

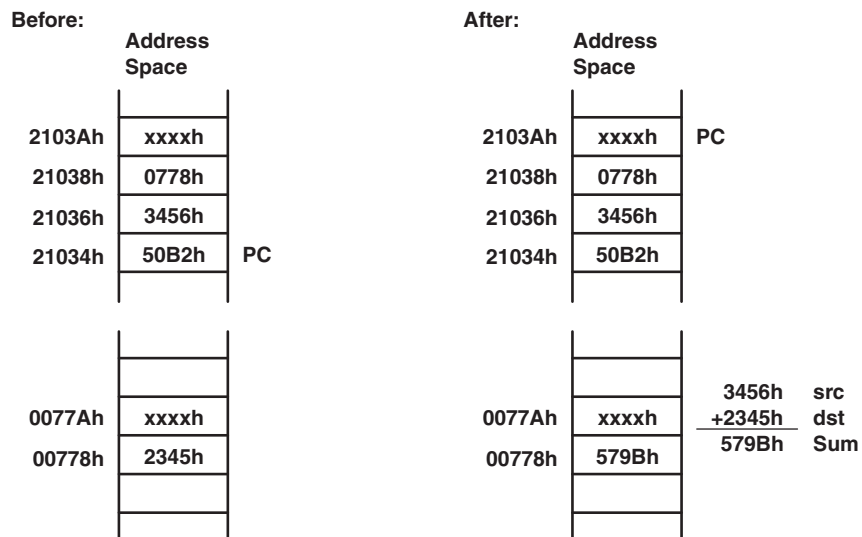
The Immediate mode allows accessing constants as operands by including the constant in the memory location following the instruction. The PC is used with the Indirect Autoincrement mode. The PC points to the immediate value contained in the next word. After the fetching of the immediate operand, the PC is incremented by 2 for byte, word, or address-word instructions. The Immediate mode has two addressing possibilities:

- 8-bit or 16-bit constants with MSP430 instructions
- 20-bit constants with MSP430X instruction

#### MSP430 Instructions With Immediate Mode

If an MSP430 instruction is used with Immediate addressing mode, the constant is an 8- or 16-bit value and is stored in the word following the instruction.

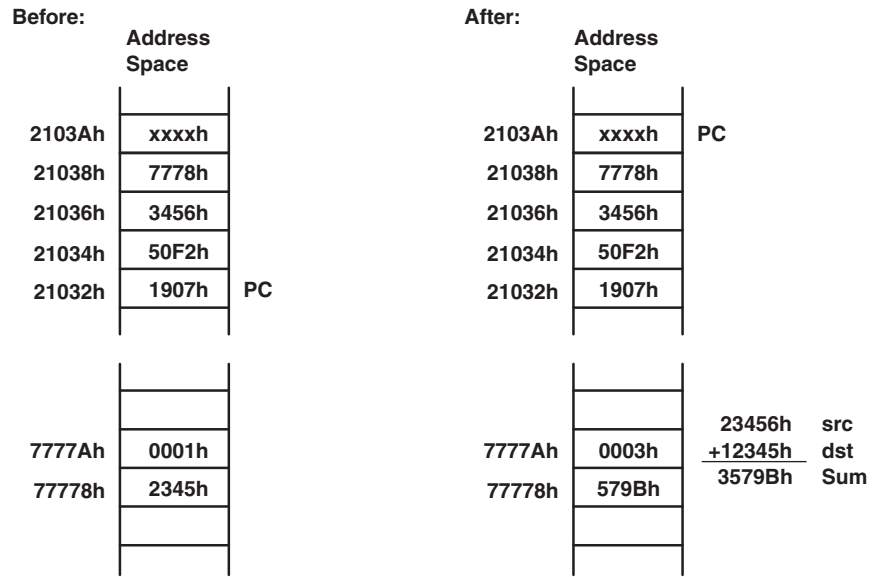
Length:	Two or three words. One word less if a constant of the constant generator can be used for the immediate operand.
Operation:	The 16-bit immediate source operand is used together with the 16-bit destination operand.
Comment:	Valid only for the source operand
Example:	<p>ADD #3456h, &amp;TONI</p> <p>This instruction adds the 16-bit immediate operand 3456h to the data in the destination address TONI.</p>
Source:	16-bit immediate value 3456h
Destination:	Word at address TONI



### MSP430X Instructions With Immediate Mode

If an MSP430X instruction is used with Immediate addressing mode, the constant is a 20-bit value. The 4 MSBs of the constant are stored in the extension word, and the 16 LSBs of the constant are stored in the word following the instruction.

- Length:** Three or four words. One word less if a constant of the constant generator can be used for the immediate operand.
- Operation:** The 20-bit immediate source operand is used together with the 20-bit destination operand.
- Comment:** Valid only for the source operand
- Example:** `ADDX.A #23456h, &TONI ;`  
 This instruction adds the 20-bit immediate operand 23456h to the data in the destination address TONI.
- Source:** 20-bit immediate value 23456h
- Destination:** Two words beginning with address TONI



## 5.5 MSP430 and MSP430X Instructions

MSP430 instructions are the 27 implemented instructions of the MSP430 CPU. These instructions are used throughout the 1-MB memory range unless their 16-bit capability is exceeded. The MSP430X instructions are used when the addressing of the operands, or the data length exceeds the 16-bit capability of the MSP430 instructions.

There are three possibilities when choosing between an MSP430 and MSP430X instruction:

- To use only the MSP430 instructions – The only exceptions are the CALLA and the RETA instruction. This can be done if a few, simple rules are met:
  - Placement of all constants, variables, arrays, tables, and data in the lower 64 KB. This allows the use of MSP430 instructions with 16-bit addressing for all data accesses. No pointers with 20-bit addresses are needed.
  - Placement of subroutine constants immediately after the subroutine code. This allows the use of the symbolic addressing mode with its 16-bit index to reach addresses within the range of PC + 32 KB.
- To use only MSP430X instructions – The disadvantages of this method are the reduced speed due to the additional CPU cycles and the increased program space due to the necessary extension word for any double operand instruction.
- Use the best fitting instruction where needed.

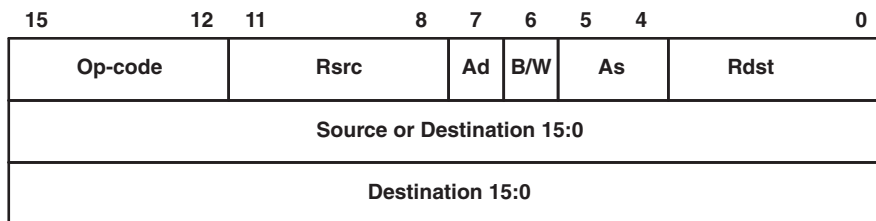
The following sections list and describe the MSP430 and MSP430X instructions.

### 5.5.1 MSP430 Instructions

The MSP430 instructions can be used, regardless if the program resides in the lower 64 KB or beyond it. The only exceptions are the instructions CALL and RET, which are limited to the lower 64-KB address range. CALLA and RETA instructions have been added to the MSP430X CPU to handle subroutines in the entire address range with no code size overhead.

#### MSP430 Double-Operand (Format I) Instructions

Figure 5-22 shows the format of the MSP430 double-operand instructions. Source and destination words are appended for the Indexed, Symbolic, Absolute, and Immediate modes. Table 5-4 lists the 12 MSP430 double-operand instructions.



**Figure 5-22. MSP430 Double-Operand Instruction Format**

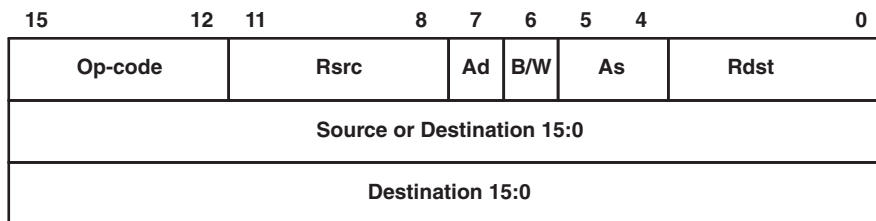
**Table 5-4. MSP430 Double-Operand Instructions**

Mnemonic	S-Reg, D-Reg	Operation	Status Bits <sup>(1)</sup>			
			V	N	Z	C
MOV (.B)	src,dst	src → dst	–	–	–	–
ADD (.B)	src,dst	src + dst → dst	*	*	*	*
ADDC (.B)	src,dst	src + dst + C → dst	*	*	*	*
SUB (.B)	src,dst	dst + .not.src + 1 → dst	*	*	*	*
SUBC (.B)	src,dst	dst + .not.src + C → dst	*	*	*	*
CMP (.B)	src,dst	dst - src	*	*	*	*
DADD (.B)	src,dst	src + dst + C → dst (decimally)	*	*	*	*
BIT (.B)	src,dst	src .and. dst	0	*	*	Z
BIC (.B)	src,dst	.not.src .and. dst → dst	–	–	–	–
BIS (.B)	src,dst	src .or. dst → dst	–	–	–	–
XOR (.B)	src,dst	src .xor. dst → dst	*	*	*	Z
AND (.B)	src,dst	src .and. dst → dst	0	*	*	Z

(1) \* = Status bit is affected.  
 – = Status bit is not affected.  
 0 = Status bit is cleared.  
 1 = Status bit is set.

### MSP430 Single-Operand (Format II) Instructions

Figure 5-23 shows the format for MSP430 single-operand instructions, except RETI. The destination word is appended for the Indexed, Symbolic, Absolute, and Immediate modes. Table 5-5 lists the seven single-operand instructions.

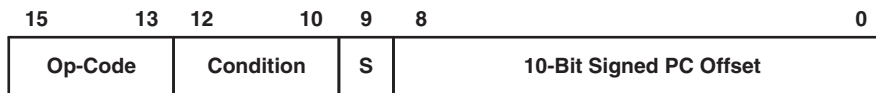
**Figure 5-23. MSP430 Single-Operand Instructions****Table 5-5. MSP430 Single-Operand Instructions**

Mnemonic	S-Reg, D-Reg	Operation	Status Bits <sup>(1)</sup>			
			V	N	Z	C
RRC (.B)	dst	C → MSB → .....LSB → C	*	*	*	*
RRA (.B)	dst	MSB → MSB → .....LSB → C	0	*	*	*
PUSH (.B)	src	SP - 2 → SP, src → SP	–	–	–	–
SWPB	dst	bit 15...bit 8 ↔ bit 7...bit 0	–	–	–	–
CALL	dst	Call subroutine in lower 64 KB	–	–	–	–
RETI		TOS → SR, SP + 2 → SP TOS → PC, SP + 2 → SP	*	*	*	*
SXT	dst	Register mode: bit 7 → bit 8...bit 19 Other modes: bit 7 → bit 8...bit 15	0	*	*	Z

(1) \* = Status bit is affected.  
 – = Status bit is not affected.  
 0 = Status bit is cleared.  
 1 = Status bit is set.

## Jump Instructions

Figure 5-24 shows the format for MSP430 and MSP430X jump instructions. The signed 10-bit word offset of the jump instruction is multiplied by two, sign-extended to a 20-bit address, and added to the 20-bit PC. This allows jumps in a range of  $-511$  to  $+512$  words relative to the PC in the full 20-bit address space. Jumps do not affect the status bits. Table 5-6 lists and describes the eight jump instructions.



**Figure 5-24. Format of Conditional Jump Instructions**

**Table 5-6. Conditional Jump Instructions**

Mnemonic	S-Reg, D-Reg	Operation
JEQ/JZ	Label	Jump to label if zero bit is set
JNE/JNZ	Label	Jump to label if zero bit is reset
JC	Label	Jump to label if carry bit is set
JNC	Label	Jump to label if carry bit is reset
JN	Label	Jump to label if negative bit is set
JGE	Label	Jump to label if (N .XOR. V) = 0
JL	Label	Jump to label if (N .XOR. V) = 1
JMP	Label	Jump to label unconditionally

## Emulated Instructions

In addition to the MSP430 and MSP430X instructions, emulated instructions are instructions that make code easier to write and read, but do not have op-codes themselves. Instead, they are replaced automatically by the assembler with a core instruction. There is no code or performance penalty for using emulated instructions. The emulated instructions are listed in Table 5-7.

**Table 5-7. Emulated Instructions**

Instruction	Explanation	Emulation	Status Bits <sup>(1)</sup>			
			V	N	Z	C
ADC( .B) dst	Add Carry to dst	ADDC( .B) #0, dst	*	*	*	*
BR dst	Branch indirectly dst	MOV dst, PC	-	-	-	-
CLR( .B) dst	Clear dst	MOV( .B) #0, dst	-	-	-	-
CLRC	Clear Carry bit	BIC #1, SR	-	-	-	0
CLRN	Clear Negative bit	BIC #4, SR	-	0	-	-
CLRZ	Clear Zero bit	BIC #2, SR	-	-	0	-
DADC( .B) dst	Add Carry to dst decimally	DADD( .B) #0, dst	*	*	*	*
DEC( .B) dst	Decrement dst by 1	SUB( .B) #1, dst	*	*	*	*
DECD( .B) dst	Decrement dst by 2	SUB( .B) #2, dst	*	*	*	*
DINT	Disable interrupt	BIC #8, SR	-	-	-	-
EINT	Enable interrupt	BIS #8, SR	-	-	-	-
INC( .B) dst	Increment dst by 1	ADD( .B) #1, dst	*	*	*	*
INCD( .B) dst	Increment dst by 2	ADD( .B) #2, dst	*	*	*	*
INV( .B) dst	Invert dst	XOR( .B) #-1, dst	*	*	*	*
NOP	No operation	MOV R3, R3	-	-	-	-

(1) \* = Status bit is affected.  
 - = Status bit is not affected.  
 0 = Status bit is cleared.  
 1 = Status bit is set.

**Table 5-7. Emulated Instructions (continued)**

Instruction	Explanation	Emulation	Status Bits <sup>(1)</sup>			
			V	N	Z	C
POP dst	Pop operand from stack	MOV @SP+, dst	–	–	–	–
RET	Return from subroutine	MOV @SP+, PC	–	–	–	–
RLA( .B) dst	Shift left dst arithmetically	ADD( .B) dst, dst	*	*	*	*
RLC( .B) dst	Shift left dst logically through Carry	ADDC( .B) dst, dst	*	*	*	*
SBC( .B) dst	Subtract Carry from dst	SUBC( .B) #0, dst	*	*	*	*
SETC	Set Carry bit	BIS #1, SR	–	–	–	1
SETN	Set Negative bit	BIS #4, SR	–	1	–	–
SETZ	Set Zero bit	BIS #2, SR	–	–	1	–
TST( .B) dst	Test dst (compare with 0)	CMP( .B) #0, dst	0	*	*	1

## MSP430 Instruction Execution

The number of CPU clock cycles required for an instruction depends on the instruction format and the addressing modes used – not the instruction itself. The number of clock cycles refers to MCLK.

### Instruction Cycles and Length for Interrupt, Reset, and Subroutines

Table 5-8 lists the length and the CPU cycles for reset, interrupts, and subroutines.

**Table 5-8. Interrupt, Return, and Reset Cycles and Length**

Action	Execution Time (MCLK Cycles)	Length of Instruction (Words)
Return from interrupt RETI	5	1
Return from subroutine RET	4	1
Interrupt request service (cycles needed before first instruction)	6	–
WDT reset	4	–
Reset ( $\overline{\text{RST}}$ /NMI)	4	–

### Format II (Single-Operand) Instruction Cycles and Lengths

Table 5-9 lists the length and the CPU cycles for all addressing modes of the MSP430 single-operand instructions.

**Table 5-9. MSP430 Format II Instruction Cycles and Length**

Addressing Mode	No. of Cycles			Length of Instruction	Example
	RRA, RRC SWPB, SXT	PUSH	CALL		
Rn	1	3	4	1	SWPB R5
@Rn	3	3	4	1	RRC @R9
@Rn+	3	3	4	1	SWPB @R10+
#N	N/A	3	4	2	CALL #LABEL
X(Rn)	4	4	5	2	CALL 2(R7)
EDE	4	4	5	2	PUSH EDE
&EDE	4	4	6	2	SXT &EDE

### Jump Instructions Cycles and Lengths

All jump instructions require one code word and take two CPU cycles to execute, regardless of whether the jump is taken or not.



## Format I (Double-Operand) Instruction Cycles and Lengths

Table 5-10 lists the length and CPU cycles for all addressing modes of the MSP430 Format I instructions.

**Table 5-10. MSP430 Format I Instructions Cycles and Length**

Addressing Mode		No. of Cycles	Length of Instruction	Example
Source	Destination			
Rn	Rm	1	1	MOV R5, R8
	PC	3	1	BR R9
	x(Rm)	4 <sup>(1)</sup>	2	ADD R5, 4 (R6)
	EDE	4 <sup>(1)</sup>	2	XOR R8, EDE
	&EDE	4 <sup>(1)</sup>	2	MOV R5, &EDE
@Rn	Rm	2	1	AND @R4, R5
	PC	4	1	BR @R8
	x(Rm)	5 <sup>(1)</sup>	2	XOR @R5, 8 (R6)
	EDE	5 <sup>(1)</sup>	2	MOV @R5, EDE
	&EDE	5 <sup>(1)</sup>	2	XOR @R5, &EDE
@Rn+	Rm	2	1	ADD @R5+, R6
	PC	4	1	BR @R9+
	x(Rm)	5 <sup>(1)</sup>	2	XOR @R5, 8 (R6)
	EDE	5 <sup>(1)</sup>	2	MOV @R9+, EDE
	&EDE	5 <sup>(1)</sup>	2	MOV @R9+, &EDE
#N	Rm	2	2	MOV #20, R9
	PC	3	2	BR #2AEh
	x(Rm)	5 <sup>(1)</sup>	3	MOV #0300h, 0 (SP)
	EDE	5 <sup>(1)</sup>	3	ADD #33, EDE
	&EDE	5 <sup>(1)</sup>	3	ADD #33, &EDE
x(Rn)	Rm	3	2	MOV 2 (R5), R7
	PC	5	2	BR 2 (R6)
	TONI	6 <sup>(1)</sup>	3	MOV 4 (R7), TONI
	x(Rm)	6 <sup>(1)</sup>	3	ADD 4 (R4), 6 (R9)
	&TONI	6 <sup>(1)</sup>	3	MOV 2 (R4), &TONI
EDE	Rm	3	2	AND EDE, R6
	PC	5	2	BR EDE
	TONI	6 <sup>(1)</sup>	3	CMP EDE, TONI
	x(Rm)	6 <sup>(1)</sup>	3	MOV EDE, 0 (SP)
	&TONI	6 <sup>(1)</sup>	3	MOV EDE, &TONI
&EDE	Rm	3	2	MOV &EDE, R8
	PC	5	2	BR &EDE
	TONI	6 <sup>(1)</sup>	3	MOV &EDE, TONI
	x(Rm)	6 <sup>(1)</sup>	3	MOV &EDE, 0 (SP)
	&TONI	6 <sup>(1)</sup>	3	MOV &EDE, &TONI

<sup>(1)</sup> MOV, BIT, and CMP instructions execute in one fewer cycle.

### 5.5.2 MSP430X Extended Instructions

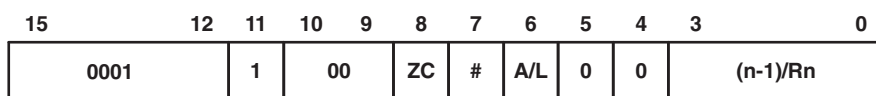
The extended MSP430X instructions give the MSP430X CPU full access to its 20-bit address space. Most MSP430X instructions require an additional word of op-code called the extension word. Some extended instructions do not require an additional word and are noted in the instruction description. All addresses, indexes, and immediate numbers have 20-bit values when preceded by the extension word.

There are two types of extension words:

- Register/register mode for Format I instructions and register mode for Format II instructions
- Extension word for all other address mode combinations

#### Register Mode Extension Word

The register mode extension word is shown in [Figure 5-25](#) and described in [Table 5-11](#). An example is shown in [Figure 5-27](#).



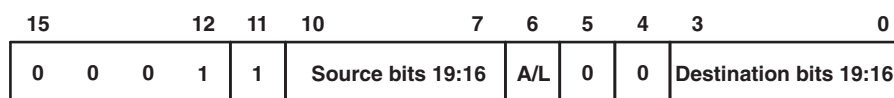
**Figure 5-25. Extension Word for Register Modes**

**Table 5-11. Description of the Extension Word Bits for Register Mode**

Bit	Description															
15:11	Extension word op-code. Op-codes 1800h to 1FFFh are extension words.															
10:9	Reserved															
ZC	Zero carry															
0	The executed instruction uses the status of the carry bit C.															
1	The executed instruction uses the carry bit as 0. The carry bit is defined by the result of the final operation after instruction execution.															
#	Repetition															
0	The number of instruction repetitions is set by extension word bits 3:0.															
1	The number of instructions repetitions is defined by the value of the four LSBs of Rn. See description for bits 3:0.															
A/L	Data length extension. Together with the B/W bits of the following MSP430 instruction, the AL bit defines the used data length of the instruction.															
	<table border="1" style="width: 100%; border-collapse: collapse;"> <thead> <tr> <th style="text-align: left;">A/L</th> <th style="text-align: left;">B/W</th> <th style="text-align: left;">Comment</th> </tr> </thead> <tbody> <tr> <td>0</td> <td>0</td> <td>Reserved</td> </tr> <tr> <td>0</td> <td>1</td> <td>20-bit address word</td> </tr> <tr> <td>1</td> <td>0</td> <td>16-bit word</td> </tr> <tr> <td>1</td> <td>1</td> <td>8-bit byte</td> </tr> </tbody> </table>	A/L	B/W	Comment	0	0	Reserved	0	1	20-bit address word	1	0	16-bit word	1	1	8-bit byte
A/L	B/W	Comment														
0	0	Reserved														
0	1	20-bit address word														
1	0	16-bit word														
1	1	8-bit byte														
5:4	Reserved															
3:0	Repetition count															
# = 0	These four bits set the repetition count n. These bits contain n – 1.															
# = 1	These four bits define the CPU register whose bits 3:0 set the number of repetitions. Rn.3:0 contain n – 1.															

#### Non-Register Mode Extension Word

The extension word for non-register modes is shown in [Figure 5-26](#) and described in [Table 5-12](#). An example is shown in [Figure 5-28](#).



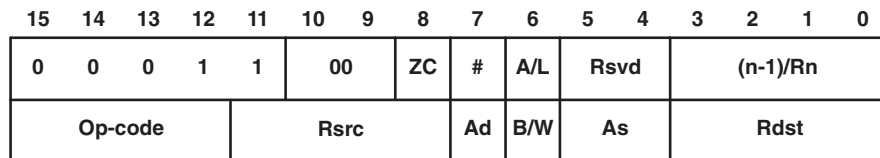
**Figure 5-26. Extension Word for Non-Register Modes**

**Table 5-12. Description of Extension Word Bits for Non-Register Modes**

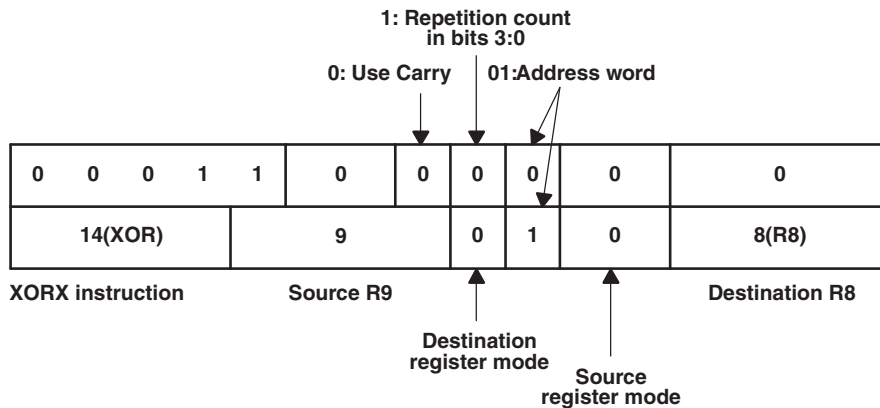
Bit	Description															
15:11	Extension word op-code. Op-codes 1800h to 1FFFh are extension words.															
Source Bits 19:16	The four MSBs of the 20-bit source. Depending on the source addressing mode, these four MSBs may belong to an immediate operand, an index or to an absolute address.															
A/L	Data length extension. Together with the B/W bits of the following MSP430 instruction, the AL bit defines the used data length of the instruction.															
	<table border="1"> <thead> <tr> <th>A/L</th> <th>B/W</th> <th>Comment</th> </tr> </thead> <tbody> <tr> <td>0</td> <td>0</td> <td>Reserved</td> </tr> <tr> <td>0</td> <td>1</td> <td>20-bit address word</td> </tr> <tr> <td>1</td> <td>0</td> <td>16-bit word</td> </tr> <tr> <td>1</td> <td>1</td> <td>8-bit byte</td> </tr> </tbody> </table>	A/L	B/W	Comment	0	0	Reserved	0	1	20-bit address word	1	0	16-bit word	1	1	8-bit byte
A/L	B/W	Comment														
0	0	Reserved														
0	1	20-bit address word														
1	0	16-bit word														
1	1	8-bit byte														
5:4	Reserved															
Destination Bits 19:16	The four MSBs of the 20-bit destination. Depending on the destination addressing mode, these four MSBs may belong to an index or to an absolute address.															

**Note:** B/W and A/L bit settings for SWPBX and SXTX

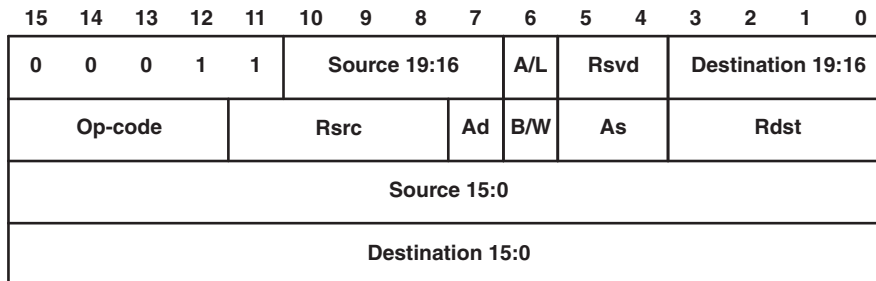
A/L	B/W	
0	0	SWPBX.A, SXTX.A
0	1	N/A
1	0	SWPB.W, SXTX.W
1	1	N/A



XORX.A R9,R8



**Figure 5-27. Example for Extended Register/Register Instruction**



XORX.A #12345h, 45678h(R15)

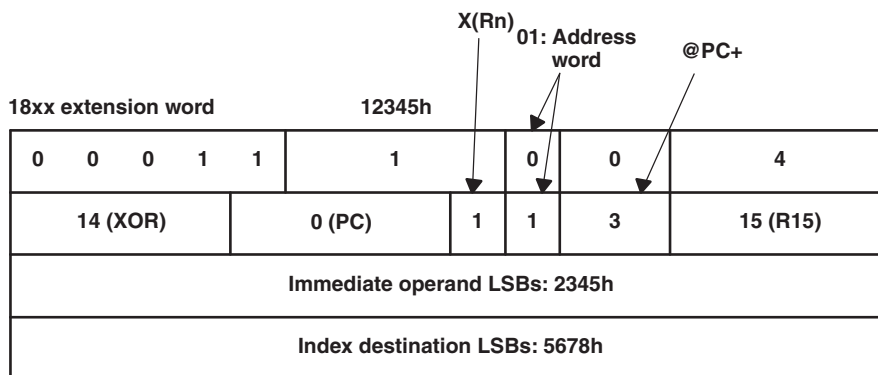


Figure 5-28. Example for Extended Immediate/Indexed Instruction

## Extended Double-Operand (Format I) Instructions

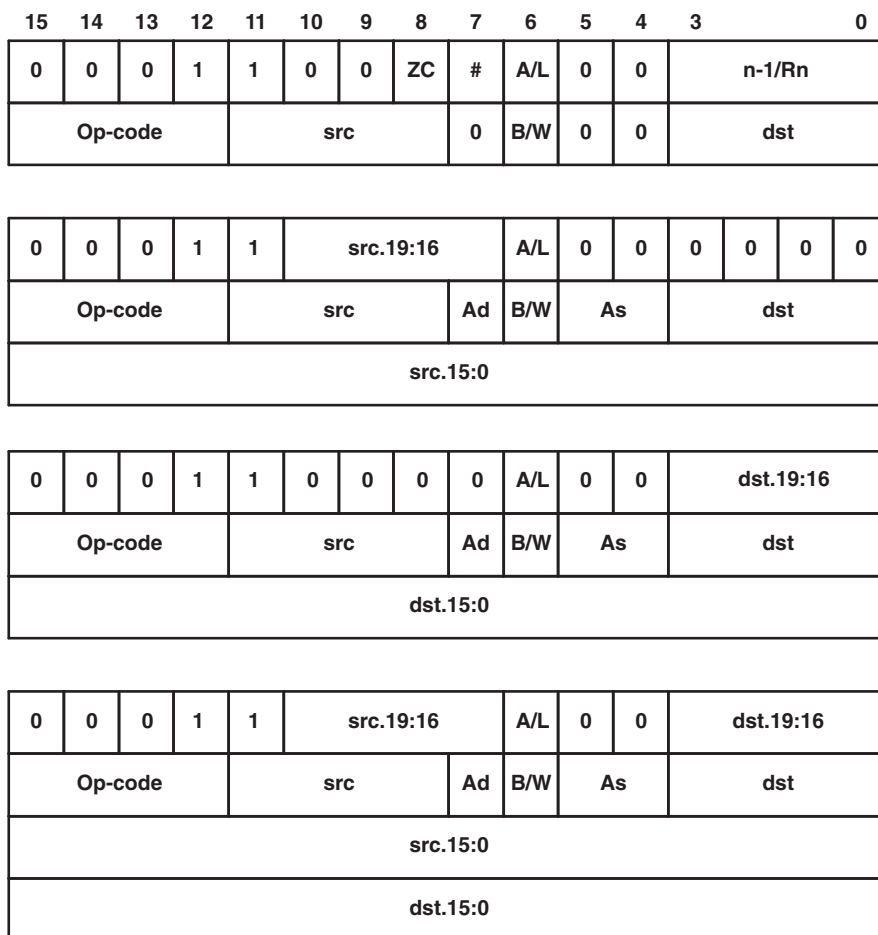
All 12 double-operand instructions have extended versions as listed in [Table 5-13](#).

Table 5-13. Extended Double-Operand Instructions

Mnemonic	Operands	Operation	Status Bits <sup>(1)</sup>			
			V	N	Z	C
MOVX(.B, .A)	src,dst	src → dst	–	–	–	–
ADDX(.B, .A)	src,dst	src + dst → dst	*	*	*	*
ADDCX(.B, .A)	src,dst	src + dst + C → dst	*	*	*	*
SUBX(.B, .A)	src,dst	dst + .not.src + 1 → dst	*	*	*	*
SUBCX(.B, .A)	src,dst	dst + .not.src + C → dst	*	*	*	*
CMPX(.B, .A)	src,dst	dst – src	*	*	*	*
DADDX(.B, .A)	src,dst	src + dst + C → dst (decimal)	*	*	*	*
BITX(.B, .A)	src,dst	src .and. dst	0	*	*	Z
BICX(.B, .A)	src,dst	.not.src .and. dst → dst	–	–	–	–
BISX(.B, .A)	src,dst	src .or. dst → dst	–	–	–	–
XORX(.B, .A)	src,dst	src .xor. dst → dst	*	*	*	Z
ANDX(.B, .A)	src,dst	src .and. dst → dst	0	*	*	Z

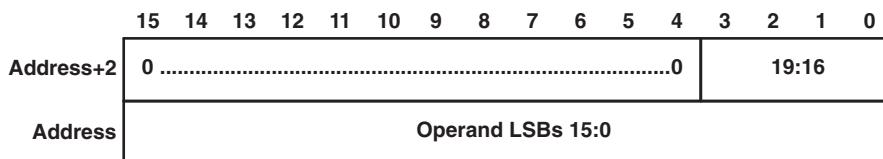
(1) \* = Status bit is affected.  
 – = Status bit is not affected.  
 0 = Status bit is cleared.  
 1 = Status bit is set.

The four possible addressing combinations for the extension word for Format I instructions are shown in Figure 5-29.



**Figure 5-29. Extended Format I Instruction Formats**

If the 20-bit address of a source or destination operand is located in memory, not in a CPU register, then two words are used for this operand as shown in Figure 5-30.



**Figure 5-30. 20-Bit Addresses in Memory**

## Extended Single-Operand (Format II) Instructions

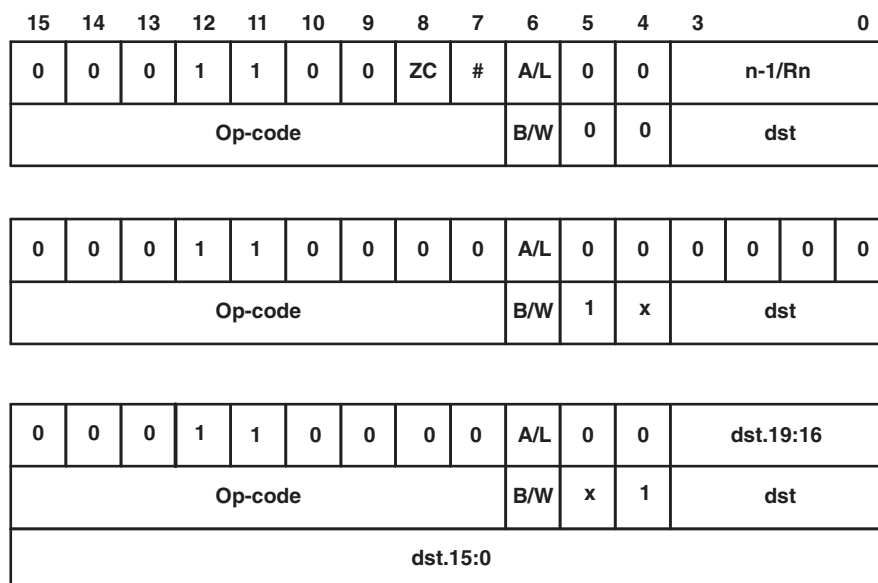
Extended MSP430X Format II instructions are listed in [Table 5-14](#).

**Table 5-14. Extended Single-Operand Instructions**

Mnemonic	Operands	Operation	n	Status Bits <sup>(1)</sup>			
				V	N	Z	C
CALLA	dst	Call indirect to subroutine (20-bit address)		–	–	–	–
POPM.A	#n,Rdst	Pop n 20-bit registers from stack	1 to 16	*	*	*	*
POPM.W	#n,Rdst	Pop n 16-bit registers from stack	1 to 16	*	*	*	*
PUSHM.A	#n,Rsrc	Push n 20-bit registers to stack	1 to 16	*	*	*	*
PUSHM.W	#n,Rsrc	Push n 16-bit registers to stack	1 to 16	*	*	*	*
PUSHX(.B,.A)	src	Push 8/16/20-bit source to stack		*	*	*	*
RRCM(.A)	#n,Rdst	Rotate right Rdst n bits through carry (16-/20-bit register)	1 to 4	*	*	*	*
RRUM(.A)	#n,Rdst	Rotate right Rdst n bits unsigned (16-/20-bit register)	1 to 4	0	*	*	Z
RRAM(.A)	#n,Rdst	Rotate right Rdst n bits arithmetically (16-/20-bit register)	1 to 4	–	–	–	–
RLAM(.A)	#n,Rdst	Rotate left Rdst n bits arithmetically (16-/20-bit register)	1 to 4	–	–	–	–
RRCX(.B,.A)	dst	Rotate right dst through carry (8-/16-/20-bit data)	1	*	*	*	Z
RRUX(.B,.A)	Rdst	Rotate right dst unsigned (8-/16-/20-bit)	1	0	*	*	Z
RRAX(.B,.A)	dst	Rotate right dst arithmetically	1				
SWPBX(.A)	dst	Exchange low byte with high byte	1				
SXTX(.A)	Rdst	Bit7 → bit8 ... bit19	1				
SXTX(.A)	dst	Bit7 → bit8 ... MSB	1				

- (1) \* = Status bit is affected.  
 – = Status bit is not affected.  
 0 = Status bit is cleared.  
 1 = Status bit is set.

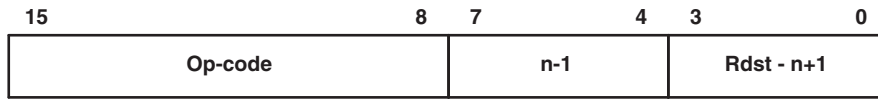
The three possible addressing mode combinations for Format II instructions are shown in [Figure 5-31](#).



**Figure 5-31. Extended Format II Instruction Format**

## Extended Format II Instruction Format Exceptions

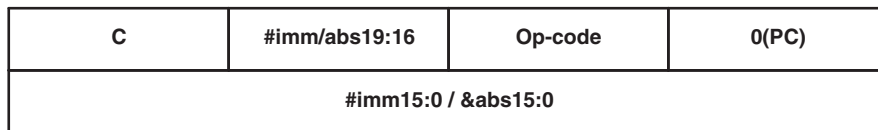
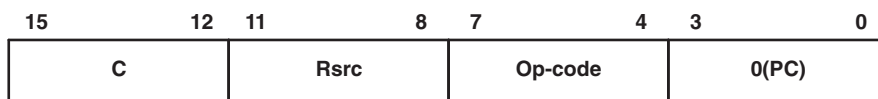
Exceptions for the Format II instruction formats are shown in [Figure 5-32](#) through [Figure 5-35](#).



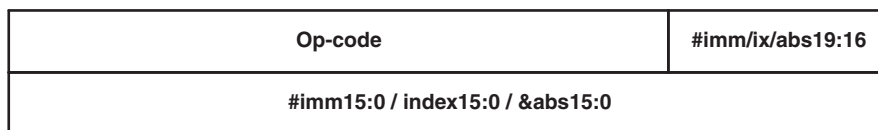
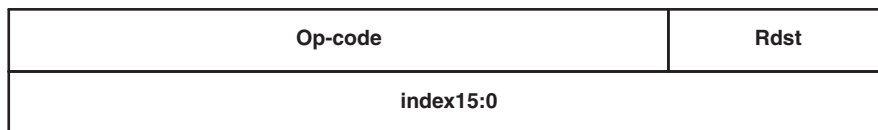
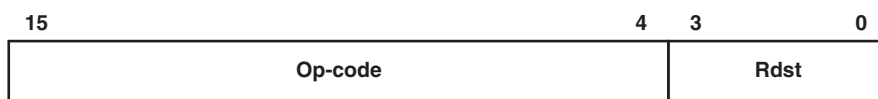
**Figure 5-32. PUSHM/POPM Instruction Format**



**Figure 5-33. RRCM, RRAM, RRUM, and RLAM Instruction Format**



**Figure 5-34. BRA Instruction Format**



**Figure 5-35. CALLA Instruction Format**

## Extended Emulated Instructions

The extended instructions together with the constant generator form the extended emulated instructions. [Table 5-15](#) lists the emulated instructions.

**Table 5-15. Extended Emulated Instructions**

Instruction	Explanation	Emulation
ADCX(.B,.A) dst	Add carry to dst	ADDCX(.B,.A) #0,dst
BRA dst	Branch indirect dst	MOVA dst,PC
RETA	Return from subroutine	MOVA @SP+,PC
CLRA Rdst	Clear Rdst	MOV #0,Rdst
CLR(.B,.A) dst	Clear dst	MOVX(.B,.A) #0,dst
DADCX(.B,.A) dst	Add carry to dst decimally	DADDX(.B,.A) #0,dst
DECX(.B,.A) dst	Decrement dst by 1	SUBX(.B,.A) #1,dst
DECD Rdst	Decrement Rdst by 2	SUBA #2,Rdst
DECDX(.B,.A) dst	Decrement dst by 2	SUBX(.B,.A) #2,dst
INCX(.B,.A) dst	Increment dst by 1	ADDX(.B,.A) #1,dst
INCDA Rdst	Increment Rdst by 2	ADDA #2,Rdst
INCDX(.B,.A) dst	Increment dst by 2	ADDX(.B,.A) #2,dst
INVX(.B,.A) dst	Invert dst	XORX(.B,.A) #-1,dst
RLAX(.B,.A) dst	Shift left dst arithmetically	ADDX(.B,.A) dst,dst
RLCX(.B,.A) dst	Shift left dst logically through carry	ADDCX(.B,.A) dst,dst
SBCX(.B,.A) dst	Subtract carry from dst	SUBCX(.B,.A) #0,dst
TSTA Rdst	Test Rdst (compare with 0)	CMPA #0,Rdst
TSTX(.B,.A) dst	Test dst (compare with 0)	CMPX(.B,.A) #0,dst
POPX dst	Pop to dst	MOVX(.B,.A) @SP+,dst



## MSP430X Address Instructions

MSP430X address instructions are instructions that support 20-bit operands but have restricted addressing modes. The addressing modes are restricted to the Register mode and the Immediate mode, except for the MOVA instruction as listed in [Table 5-16](#). Restricting the addressing modes removes the need for the additional extension-word op-code improving code density and execution time. Address instructions should be used any time an MSP430X instruction is needed with the corresponding restricted addressing mode.

**Table 5-16. Address Instructions, Operate on 20-Bit Register Data**

Mnemonic	Operands	Operation	Status Bits <sup>(1)</sup>			
			V	N	Z	C
ADDA	Rsrc,Rdst	Add source to destination register	*	*	*	*
	#imm20,Rdst					
MOVA	Rsrc,Rdst	Move source to destination	-	-	-	-
	#imm20,Rdst					
	z16(Rsrc),Rdst					
	EDE,Rdst					
	&abs20,Rdst					
	@Rsrc,Rdst					
	@Rsrc+,Rdst					
	Rsrc,z16(Rdst)					
	Rsrc,&abs20					
CMPA	Rsrc,Rdst	Compare source to destination register	*	*	*	*
	#imm20,Rdst					
SUBA	Rsrc,Rdst	Subtract source from destination register	*	*	*	*
	#imm20,Rdst					

- (1) \* = Status bit is affected.  
 - = Status bit is not affected.  
 0 = Status bit is cleared.  
 1 = Status bit is set.

## MSP430X Instruction Execution

The number of CPU clock cycles required for an MSP430X instruction depends on the instruction format and the addressing modes used, not the instruction itself. The number of clock cycles refers to MCLK.

### MSP430X Format II (Single-Operand) Instruction Cycles and Lengths

Table 5-17 lists the length and the CPU cycles for all addressing modes of the MSP430X extended single-operand instructions.

**Table 5-17. MSP430X Format II Instruction Cycles and Length**

Instruction	Execution Cycles/Length of Instruction (Words)						
	Rn	@Rn	@Rn+	#N	X(Rn)	EDE	&EDE
RRAM	n/1	–	–	–	–	–	–
RRCM	n/1	–	–	–	–	–	–
RRUM	n/1	–	–	–	–	–	–
RLAM	n/1	–	–	–	–	–	–
PUSHM	2+n/1	–	–	–	–	–	–
PUSHM.A	2+2n/1	–	–	–	–	–	–
POPM	2+n/1	–	–	–	–	–	–
POPM.A	2+2n/1	–	–	–	–	–	–
CALLA	5/1	6/1	6/1	5/2	5 <sup>(1)</sup> /2	7/2	7/2
RRAX(.B)	1+n/2	4/2	4/2	–	5/3	5/3	5/3
RRAX.A	1+n/2	6/2	6/2	–	7/3	7/3	7/3
RRCX(.B)	1+n/2	4/2	4/2	–	5/3	5/3	5/3
RRCX.A	1+n/2	6/2	6/2	–	7/3	7/3	7/3
PUSHX(.B)	4/2	4/2	4/2	4/3	5 <sup>(1)</sup> /3	5/3	5/3
PUSHX.A	5/2	6/2	6/2	5/3	7 <sup>(1)</sup> /3	7/3	7/3
POPX(.B)	3/2	–	–	–	5/3	5/3	5/3
POPX.A	4/2	–	–	–	7/3	7/3	7/3

<sup>(1)</sup> Add one cycle when Rn = SP

## MSP430X Format I (Double-Operand) Instruction Cycles and Lengths

Table 5-18 lists the length and CPU cycles for all addressing modes of the MSP430X extended Format I instructions.

**Table 5-18. MSP430X Format I Instruction Cycles and Length**

Addressing Mode		No. of Cycles		Length of Instruction	Examples
Source	Destination	.B/.W	.A	.B/.W/.A	
Rn	Rm <sup>(1)</sup>	2	2	2	BITX .B R5 , R8
	PC	4	4	2	ADDX R9 , PC
	x(Rm)	5 <sup>(2)</sup>	7 <sup>(3)</sup>	3	ANDX .A R5 , 4 (R6)
	EDE	5 <sup>(2)</sup>	7 <sup>(3)</sup>	3	XORX R8 , EDE
	&EDE	5 <sup>(2)</sup>	7 <sup>(3)</sup>	3	BITX .W R5 , &EDE
@Rn	Rm	3	4	2	BITX @R5 , R8
	PC	5	6	2	ADDX @R9 , PC
	x(Rm)	6 <sup>(2)</sup>	9 <sup>(3)</sup>	3	ANDX .A @R5 , 4 (R6)
	EDE	6 <sup>(2)</sup>	9 <sup>(3)</sup>	3	XORX @R8 , EDE
	&EDE	6 <sup>(2)</sup>	9 <sup>(3)</sup>	3	BITX .B @R5 , &EDE
@Rn+	Rm	3	4	2	BITX @R5+ , R8
	PC	5	6	2	ADDX .A @R9+ , PC
	x(Rm)	6 <sup>(2)</sup>	9 <sup>(3)</sup>	3	ANDX @R5+ , 4 (R6)
	EDE	6 <sup>(2)</sup>	9 <sup>(3)</sup>	3	XORX .B @R8+ , EDE
	&EDE	6 <sup>(2)</sup>	9 <sup>(3)</sup>	3	BITX @R5+ , &EDE
#N	Rm	3	3	33	BITX #20 , R8
	PC <sup>(4)</sup>	4	4	3	ADDX .A #FE000h , PC
	x(Rm)	6 <sup>(2)</sup>	8 <sup>(3)</sup>	4	ANDX #1234 , 4 (R6)
	EDE	6 <sup>(2)</sup>	8 <sup>(3)</sup>	4	XORX #A5A5h , EDE
	&EDE	6 <sup>(2)</sup>	8 <sup>(3)</sup>	4	BITX .B #12 , &EDE
x(Rn)	Rm	4	5	3	BITX 2 (R5) , R8
	PC <sup>(4)</sup>	6	7	3	SUBX .A 2 (R6) , PC
	TONI	7 <sup>(2)</sup>	10 <sup>(3)</sup>	4	ANDX 4 (R7) , 4 (R6)
	x(Rm)	7 <sup>(2)</sup>	10 <sup>(3)</sup>	4	XORX .B 2 (R6) , EDE
	&TONI	7 <sup>(2)</sup>	10 <sup>(3)</sup>	4	BITX 8 (SP) , &EDE
EDE	Rm	4	5	3	BITX .B EDE , R8
	PC <sup>(4)</sup>	6	7	3	ADDX .A EDE , PC
	TONI	7 <sup>(2)</sup>	10 <sup>(3)</sup>	4	ANDX EDE , 4 (R6)
	x(Rm)	7 <sup>(2)</sup>	10 <sup>(3)</sup>	4	ANDX EDE , TONI
	&TONI	7 <sup>(2)</sup>	10 <sup>(3)</sup>	4	BITX EDE , &TONI
&EDE	Rm	4	5	3	BITX &EDE , R8
	PC <sup>(4)</sup>	6	7	3	ADDX .A &EDE , PC
	TONI	7 <sup>(2)</sup>	10 <sup>(3)</sup>	4	ANDX .B &EDE , 4 (R6)
	x(Rm)	7 <sup>(2)</sup>	10 <sup>(3)</sup>	4	XORX &EDE , TONI
	&TONI	7 <sup>(2)</sup>	10 <sup>(3)</sup>	4	BITX &EDE , &TONI

<sup>(1)</sup> Repeat instructions require n + 1 cycles, where n is the number of times the instruction is executed.

<sup>(2)</sup> Reduce the cycle count by one for MOV, BIT, and CMP instructions.

<sup>(3)</sup> Reduce the cycle count by two for MOV, BIT, and CMP instructions.

<sup>(4)</sup> Reduce the cycle count by one for MOV, ADD, and SUB instructions.

## MSP430X Address Instruction Cycles and Lengths

Table 5-19 lists the length and the CPU cycles for all addressing modes of the MSP430X address instructions.

**Table 5-19. Address Instruction Cycles and Length**

Addressing Mode		Execution Time (MCLK Cycles)		Length of Instruction (Words)		Example
Source	Destination	MOVA BRA	CMPA ADDA SUBA	MOVA	CMPA ADDA SUBA	
Rn	Rn	1	1	1	1	CMPA R5, R8
	PC	3	3	1	1	SUBA R9, PC
	x(Rm)	4	–	2	–	MOVA R5, 4(R6)
	EDE	4	–	2	–	MOVA R8, EDE
	&EDE	4	–	2	–	MOVA R5, &EDE
@Rn	Rm	3	–	1	–	MOVA @R5, R8
	PC	5	–	1	–	MOVA @R9, PC
@Rn+	Rm	3	–	1	–	MOVA @R5+, R8
	PC	5	–	1	–	MOVA @R9+, PC
#N	Rm	2	3	2	2	CMPA #20, R8
	PC	3	3	2	2	SUBA #FE00h, PC
x(Rn)	Rm	4	–	2	–	MOVA 2(R5), R8
	PC	6	–	2	–	MOVA 2(R6), PC
EDE	Rm	4	–	2	–	MOVA EDE, R8
	PC	6	–	2	–	MOVA EDE, PC
&EDE	Rm	4	–	2	–	MOVA &EDE, R8
	PC	6	–	2	–	MOVA &EDE, PC

## 5.6 Instruction Set Description

Table 5-20 shows all available instructions:

**Table 5-20. Instruction Map of MSP430X**

	000	040	080	0C0	100	140	180	1C0	200	240	280	2C0	300	340	380	3C0
0xxx	MOVA, CMPA, ADDA, SUBA, RRCM, RRAM, RLAM, RRUM															
10xx	RRC	RRC. B	SWPB		RRA	RRA. B	SXT		PUSH	PUSH .B	CALL		RETI	CALL A		
14xx	PUSHM.A, POPM.A, PUSHM.W, POPM.W															
18xx	Extension word for Format I and Format II instructions															
1Cxx																
20xx	JNE/JNZ															
24xx	JEQ/JZ															
28xx	JNC															
2Cxx	JC															
30xx	JN															
34xx	JGE															
38xx	JL															
3Cxx	JMP															
4xxx	MOV, MOV.B															
5xxx	ADD, ADD.B															
6xxx	ADDC, ADDC.B															
7xxx	SUBC, SUBC.B															
8xxx	SUB, SUB.B															
9xxx	CMP, CMP.B															
Axxx	DADD, DADD.B															
Bxxx	BIT, BIT.B															
Cxxx	BIC, BIC.B															
Dxxx	BIS, BIS.B															
Exxx	XOR, XOR.B															
Fxxx	AND, AND.B															

### 5.6.1 Extended Instruction Binary Descriptions

Detailed MSP430X instruction binary descriptions are shown in the following tables.

Instruction	Instruction Group				src or data.19:16				Instruction Identifier				dst	
	15	12	11	8	7	4	3	0						
MOVA	0	0	0	0	src	0	0	0	0	dst	MOVA @Rsrc, Rdst			
	0	0	0	0	src	0	0	0	1	dst	MOVA @Rsrc+, Rdst			
	0	0	0	0	&abs.19:16	0	0	1	0	dst	MOVA &abs20, Rdst			
	&abs.15:0													
	0	0	0	0	src	0	0	1	1	dst	MOVA x(Rsrc), Rdst			
	x.15:0													
	0	0	0	0	src	0	1	1	0	&abs.19:16	dst	MOVA Rsrc, &abs20		
	&abs.15:0													
	0	0	0	0	src	0	1	1	1	dst	MOVA Rsrc, X(Rdst)			
	x.15:0													
CMPA	0	0	0	0	imm.19:16	1	0	0	0	dst	MOVA #imm20, Rdst			
	imm.15:0													
	0	0	0	0	imm.19:16	1	0	0	1	dst	CMPA #imm20, Rdst			
ADDA	imm.15:0													
	0	0	0	0	imm.19:16	1	0	1	0	dst	ADDA #imm20, Rdst			
SUBA	imm.15:0													
	0	0	0	0	imm.19:16	1	0	1	1	dst	SUBA #imm20, Rdst			
MOVA	0	0	0	0	src	1	1	0	0	dst	MOVA Rsrc, Rdst			
CMPA	0	0	0	0	src	1	1	0	1	dst	CMPA Rsrc, Rdst			
ADDA	0	0	0	0	src	1	1	1	0	dst	ADDA Rsrc, Rdst			
SUBA	0	0	0	0	src	1	1	1	1	dst	SUBA Rsrc, Rdst			

Instruction	Instruction Group				Bit Loc.		Inst. ID		Instruction Identifier				dst	
	15	12	11	10	9	8	7	4	3	0				
RRCM.A	0	0	0	0	n-1	0	0	0	1	0	0	dst	RRCM.A #n, Rdst	
RRAM.A	0	0	0	0	n-1	0	1	0	1	0	0	dst	RRAM.A #n, Rdst	
RLAM.A	0	0	0	0	n-1	1	0	0	1	0	0	dst	RLAM.A #n, Rdst	
RRUM.A	0	0	0	0	n-1	1	1	0	1	0	0	dst	RRUM.A #n, Rdst	
RRCM.W	0	0	0	0	n-1	0	0	0	1	0	1	dst	RRCM.W #n, Rdst	
RRAM.W	0	0	0	0	n-1	0	1	0	1	0	1	dst	RRAM.W #n, Rdst	
RLAM.W	0	0	0	0	n-1	1	0	0	1	0	1	dst	RLAM.W #n, Rdst	
RRUM.W	0	0	0	0	n-1	1	1	0	1	0	1	dst	RRUM.W #n, Rdst	



Instruction	Instruction Identifier												dst				
	15	14	13	12	11	10	9	8	7	6	5	4	3	2	1	0	
RETI	0	0	0	1	0	0	1	1	0	0	0	0	0	0	0	0	
CALLA	0	0	0	1	0	0	1	1	0	1	0	0	dst				CALLA Rdst
	0	0	0	1	0	0	1	1	0	1	0	1	dst				CALLA x(Rdst)
	x.15:0																
	0	0	0	1	0	0	1	1	0	1	1	0	dst				CALLA @Rdst
	0	0	0	1	0	0	1	1	0	1	1	1	dst				CALLA @Rdst+
	0	0	0	1	0	0	1	1	1	0	0	0	&abs.19:16				CALLA &abs20
	&abs.15:0																
	0	0	0	1	0	0	1	1	1	0	0	1	x.19:16				CALLA EDE
	x.15:0																
	0	0	0	1	0	0	1	1	1	0	1	1	imm.19:16				CALLA #imm20
	imm.15:0																
Reserved	0	0	0	1	0	0	1	1	1	0	1	0	x	x	x	x	
Reserved	0	0	0	1	0	0	1	1	1	1	x	x	x	x	x	x	
PUSHM.A	0	0	0	1	0	1	0	0	n - 1				dst				PUSHM.A #n, Rdst
PUSHM.W	0	0	0	1	0	1	0	1	n - 1				dst				PUSHM.W #n, Rdst
POPM.A	0	0	0	1	0	1	1	0	n - 1				dst - n + 1				POPM.A #n, Rdst
POPM.W	0	0	0	1	0	1	1	1	n - 1				dst - n + 1				POPM.W #n, Rdst

## 5.6.2 MSP430 Instructions

The MSP430 instructions are listed and described on the following pages.

<b>* ADC[W]</b>	Add carry to destination
<b>* ADC.B</b>	Add carry to destination
<b>Syntax</b>	ADC dst or ADC.W dst ADC.B dst
<b>Operation</b>	dst + C → dst
<b>Emulation</b>	ADDC #0, dst ADDC.B #0, dst
<b>Description</b>	The carry bit (C) is added to the destination operand. The previous contents of the destination are lost.
<b>Status Bits</b>	N: Set if result is negative, reset if positive Z: Set if result is zero, reset otherwise C: Set if dst was incremented from 0FFFFh to 0000, reset otherwise Set if dst was incremented from 0FFh to 00, reset otherwise V: Set if an arithmetic overflow occurs, otherwise reset
<b>Mode Bits</b>	OSCOFF, CPUOFF, and GIE are not affected.
<b>Example</b>	The 16-bit counter pointed to by R13 is added to a 32-bit counter pointed to by R12.

```

ADD    @R13,0(R12)    ; Add LSDs
ADC    2(R12)         ; Add carry to MSD

```

**Example** The 8-bit counter pointed to by R13 is added to a 16-bit counter pointed to by R12.

```

ADD.B  @R13,0(R12)    ; Add LSDs
ADC.B  1(R12)         ; Add carry to MSD

```



<b>ADD[.W]</b>	Add source word to destination word
<b>ADD.B</b>	Add source byte to destination byte
<b>Syntax</b>	ADD src ,dst or ADD.W src ,dst ADD.B src ,dst
<b>Operation</b>	src + dst → dst
<b>Description</b>	The source operand is added to the destination operand. The previous content of the destination is lost.
<b>Status Bits</b>	N: Set if result is negative (MSB = 1), reset if positive (MSB = 0) Z: Set if result is zero, reset otherwise C: Set if there is a carry from the MSB of the result, reset otherwise V: Set if the result of two positive operands is negative, or if the result of two negative numbers is positive, reset otherwise
<b>Mode Bits</b>	OSCOFF, CPUOFF, and GIE are not affected.
<b>Example</b>	Ten is added to the 16-bit counter CNTR located in lower 64 K.

```
ADD.W #10,&CNTR ; Add 10 to 16-bit counter
```

<b>Example</b>	A table word pointed to by R5 (20-bit address in R5) is added to R6. The jump to label TONI is performed on a carry.
----------------	--

```
ADD.W @R5,R6 ; Add table word to R6. R6.19:16 = 0
JC TONI ; Jump if carry
... ; No carry
```

<b>Example</b>	A table byte pointed to by R5 (20-bit address) is added to R6. The jump to label TONI is performed if no carry occurs. The table pointer is auto-incremented by 1. R6.19:8 = 0
----------------	--

```
ADD.B @R5+,R6 ; Add byte to R6. R5 + 1. R6: 000xxh
JNC TONI ; Jump if no carry
... ; Carry occurred
```

<b>ADDC[.W]</b>	Add source word and carry to destination word
<b>ADDC.B</b>	Add source byte and carry to destination byte
<b>Syntax</b>	ADDC src ,dst or ADDC.W src ,dst ADDC.B src ,dst
<b>Operation</b>	src + dst + C → dst
<b>Description</b>	The source operand and the carry bit C are added to the destination operand. The previous content of the destination is lost.
<b>Status Bits</b>	N: Set if result is negative (MSB = 1), reset if positive (MSB = 0) Z: Set if result is zero, reset otherwise C: Set if there is a carry from the MSB of the result, reset otherwise V: Set if the result of two positive operands is negative, or if the result of two negative numbers is positive, reset otherwise
<b>Mode Bits</b>	OSCOFF, CPUOFF, and GIE are not affected.
<b>Example</b>	Constant value 15 and the carry of the previous instruction are added to the 16-bit counter CNTR located in lower 64 K.
	ADDC.W #15,&CNTR ; Add 15 + C to 16-bit CNTR
<b>Example</b>	A table word pointed to by R5 (20-bit address) and the carry C are added to R6. The jump to label TONI is performed on a carry. R6.19:16 = 0
	ADDC.W @R5,R6 ; Add table word + C to R6 JC TONI ; Jump if carry ... ; No carry
<b>Example</b>	A table byte pointed to by R5 (20-bit address) and the carry bit C are added to R6. The jump to label TONI is performed if no carry occurs. The table pointer is auto-incremented by 1. R6.19:8 = 0
	ADDC.B @R5+,R6 ; Add table byte + C to R6. R5 + 1 JNC TONI ; Jump if no carry ... ; Carry occurred

<b>AND[W]</b>	Logical AND of source word with destination word
<b>AND.B</b>	Logical AND of source byte with destination byte
<b>Syntax</b>	AND <i>src</i> , <i>dst</i> or AND.W <i>src</i> , <i>dst</i> AND.B <i>src</i> , <i>dst</i>
<b>Operation</b>	<i>src</i> .and. <i>dst</i> → <i>dst</i>
<b>Description</b>	The source operand and the destination operand are logically ANDed. The result is placed into the destination. The source operand is not affected.
<b>Status Bits</b>	N: Set if result is negative (MSB = 1), reset if positive (MSB = 0) Z: Set if result is zero, reset otherwise C: Set if the result is not zero, reset otherwise. C = (.not. Z) V: Reset
<b>Mode Bits</b>	OSCOFF, CPUOFF, and GIE are not affected.
<b>Example</b>	The bits set in R5 (16-bit data) are used as a mask (AA55h) for the word TOM located in the lower 64 K. If the result is zero, a branch is taken to label TONI. R5.19:16 = 0
	<pre> MOV    #AA55h,R5      ; Load 16-bit mask to R5 AND    R5,&amp;TOM        ; TOM .and. R5 -&gt; TOM JZ     TONI           ; Jump if result 0 ... ; Result &gt; 0 </pre>
	or shorter:
	<pre> AND    #AA55h,&amp;TOM    ; TOM .and. AA55h -&gt; TOM JZ     TONI           ; Jump if result 0 </pre>
<b>Example</b>	A table byte pointed to by R5 (20-bit address) is logically ANDed with R6. R5 is incremented by 1 after the fetching of the byte. R6.19:8 = 0
	<pre> AND.B  @R5+,R6        ; AND table byte with R6. R5 + 1 </pre>

<b>BIC[.W]</b>	Clear bits set in source word in destination word
<b>BIC.B</b>	Clear bits set in source byte in destination byte
<b>Syntax</b>	BIC src ,dst or BIC.W src ,dst BIC.B src ,dst
<b>Operation</b>	(.not. src) .and. dst → dst
<b>Description</b>	The inverted source operand and the destination operand are logically ANDed. The result is placed into the destination. The source operand is not affected.
<b>Status Bits</b>	N: Not affected Z: Not affected C: Not affected V: Not affected
<b>Mode Bits</b>	OSCOFF, CPUOFF, and GIE are not affected.
<b>Example</b>	The bits 15:14 of R5 (16-bit data) are cleared. R5.19:16 = 0
	<pre>BIC #0C000h,R5 ; Clear R5.19:14 bits</pre>
<b>Example</b>	A table word pointed to by R5 (20-bit address) is used to clear bits in R7. R7.19:16 = 0
	<pre>BIC.W @R5,R7 ; Clear bits in R7 set in @R5</pre>
<b>Example</b>	A table byte pointed to by R5 (20-bit address) is used to clear bits in Port1.
	<pre>BIC.B @R5,&amp;P1OUT ; Clear I/O port P1 bits set in @R5</pre>

<b>BIS[.W]</b>	Set bits set in source word in destination word
<b>BIS.B</b>	Set bits set in source byte in destination byte
<b>Syntax</b>	BIS src ,dst or BIS.W src ,dst BIS.B src ,dst
<b>Operation</b>	src .or. dst → dst
<b>Description</b>	The source operand and the destination operand are logically ORed. The result is placed into the destination. The source operand is not affected.
<b>Status Bits</b>	N: Not affected Z: Not affected C: Not affected V: Not affected
<b>Mode Bits</b>	OSCOFF, CPUOFF, and GIE are not affected.
<b>Example</b>	Bits 15 and 13 of R5 (16-bit data) are set to one. R5.19:16 = 0
	<pre>BIS    #A000h,R5        ; Set R5 bits</pre>
<b>Example</b>	A table word pointed to by R5 (20-bit address) is used to set bits in R7. R7.19:16 = 0
	<pre>BIS.W  @R5,R7          ; Set bits in R7</pre>
<b>Example</b>	A table byte pointed to by R5 (20-bit address) is used to set bits in Port1. R5 is incremented by 1 afterwards.
	<pre>BIS.B  @R5+,&amp;P1OUT     ; Set I/O port P1 bits. R5 + 1</pre>

<b>BIT[.W]</b>	Test bits set in source word in destination word
<b>BIT.B</b>	Test bits set in source byte in destination byte
<b>Syntax</b>	BIT src ,dst or BIT.W src ,dst BIT.B src ,dst
<b>Operation</b>	src .and. dst
<b>Description</b>	The source operand and the destination operand are logically ANDed. The result affects only the status bits in SR. Register mode: the register bits Rdst.19:16 (.W) resp. Rdst. 19:8 (.B) are not cleared!
<b>Status Bits</b>	N: Set if result is negative (MSB = 1), reset if positive (MSB = 0) Z: Set if result is zero, reset otherwise C: Set if the result is not zero, reset otherwise. C = (.not. Z) V: Reset
<b>Mode Bits</b>	OSCOFF, CPUOFF, and GIE are not affected.
<b>Example</b>	Test if one (or both) of bits 15 and 14 of R5 (16-bit data) is set. Jump to label TONI if this is the case. R5.19:16 are not affected.

```

BIT   #C000h,R5      ; Test R5.15:14 bits
JNZ   TONI           ; At least one bit is set in R5
...   ; Both bits are reset

```

<b>Example</b>	A table word pointed to by R5 (20-bit address) is used to test bits in R7. Jump to label TONI if at least one bit is set. R7.19:16 are not affected.
----------------	--

```

BIT.W @R5,R7        ; Test bits in R7
JC    TONI          ; At least one bit is set
...   ; Both are reset

```

<b>Example</b>	A table byte pointed to by R5 (20-bit address) is used to test bits in output Port1. Jump to label TONI if no bit is set. The next table byte is addressed.
----------------	---

```

BIT.B @R5+,&P1OUT   ; Test I/O port P1 bits. R5 + 1
JNC   TONI          ; No corresponding bit is set
...   ; At least one bit is set

```

<b>* BR, BRANCH</b>	Branch to destination in lower 64K address space
<b>Syntax</b>	BR dst
<b>Operation</b>	dst → PC
<b>Emulation</b>	MOV dst, PC
<b>Description</b>	An unconditional branch is taken to an address anywhere in the lower 64K address space. All source addressing modes can be used. The branch instruction is a word instruction.
<b>Status Bits</b>	Status bits are not affected.
<b>Example</b>	Examples for all addressing modes are given.

BR	#EXEC	; Branch to label EXEC or direct branch (e.g. #0A4h) ; Core instruction MOV @PC+,PC
BR	EXEC	; Branch to the address contained in EXEC ; Core instruction MOV X(PC),PC ; Indirect address
BR	&EXEC	; Branch to the address contained in absolute ; address EXEC ; Core instruction MOV X(0),PC ; Indirect address
BR	R5	; Branch to the address contained in R5 ; Core instruction MOV R5,PC ; Indirect R5
BR	@R5	; Branch to the address contained in the word ; pointed to by R5. ; Core instruction MOV @R5,PC ; Indirect, indirect R5
BR	@R5+	; Branch to the address contained in the word pointed ; to by R5 and increment pointer in R5 afterwards. ; The next time-S/W flow uses R5 pointer-it can ; alter program execution due to access to ; next address in a table pointed to by R5 ; Core instruction MOV @R5,PC ; Indirect, indirect R5 with autoincrement
BR	X(R5)	; Branch to the address contained in the address ; pointed to by R5 + X (e.g. table with address ; starting at X). X can be an address or a label ; Core instruction MOV X(R5),PC ; Indirect, indirect R5 + X

<b>CALL</b>	Call a subroutine in lower 64 K
<b>Syntax</b>	CALL dst
<b>Operation</b>	dst → PC 16-bit dst is evaluated and stored SP – 2 → SP PC → @SP updated PC with return address to TOS tmp → PC saved 16-bit dst to PC
<b>Description</b>	A subroutine call is made from an address in the lower 64 K to a subroutine address in the lower 64 K. All seven source addressing modes can be used. The call instruction is a word instruction. The return is made with the RET instruction.
<b>Status Bits</b>	Status bits are not affected. PC.19:16 cleared (address in lower 64 K)
<b>Mode Bits</b>	OSCOFF, CPUOFF, and GIE are not affected.
<b>Examples</b>	Examples for all addressing modes are given. Immediate Mode: Call a subroutine at label EXEC (lower 64 K) or call directly to address.

```
CALL #EXEC           ; Start address EXEC
CALL #0AA04h        ; Start address 0AA04h
```

Symbolic Mode: Call a subroutine at the 16-bit address contained in address EXEC. EXEC is located at the address (PC + X) where X is within PC + 32 K.

```
CALL EXEC           ; Start address at @EXEC. z16(PC)
```

Absolute Mode: Call a subroutine at the 16-bit address contained in absolute address EXEC in the lower 64 K.

```
CALL &EXEC          ; Start address at @EXEC
```

Register mode: Call a subroutine at the 16-bit address contained in register R5.15:0.

```
CALL R5             ; Start address at R5
```

Indirect Mode: Call a subroutine at the 16-bit address contained in the word pointed to by register R5 (20-bit address).

```
CALL @R5           ; Start address at @R5
```



<b>* CLR[.W]</b>	Clear destination
<b>* CLR.B</b>	Clear destination
<b>Syntax</b>	CLR dst or CLR.W dst CLR.B dst
<b>Operation</b>	0 → dst
<b>Emulation</b>	MOV #0, dst MOV.B #0, dst
<b>Description</b>	The destination operand is cleared.
<b>Status Bits</b>	Status bits are not affected.
<b>Example</b>	RAM word TONI is cleared.

```
CLR    TONI    ; 0 -> TONI
```

<b>Example</b>	Register R5 is cleared.
----------------	-------------------------

```
CLR    R5
```

<b>Example</b>	RAM byte TONI is cleared.
----------------	---------------------------

```
CLR.B  TONI    ; 0 -> TONI
```

<b>* CLRC</b>	Clear carry bit
<b>Syntax</b>	CLRC
<b>Operation</b>	0 → C
<b>Emulation</b>	BIC #1, SR
<b>Description</b>	The carry bit (C) is cleared. The clear carry instruction is a word instruction.
<b>Status Bits</b>	N: Not affected Z: Not affected C: Cleared V: Not affected
<b>Mode Bits</b>	OSCOFF, CPUOFF, and GIE are not affected.
<b>Example</b>	The 16-bit decimal counter pointed to by R13 is added to a 32-bit counter pointed to by R12.

```

CLRC                                ; C=0: defines start
DADD @R13,0(R12)                    ; add 16-bit counter to low word of 32-bit counter
DADC 2(R12)                          ; add carry to high word of 32-bit counter

```

<b>* CLRN</b>	Clear negative bit
<b>Syntax</b>	CLR N
<b>Operation</b>	0 → N or (.NOT.src .AND. dst → dst)
<b>Emulation</b>	BIC #4, SR
<b>Description</b>	The constant 04h is inverted (0FFFBh) and is logically ANDed with the destination operand. The result is placed into the destination. The clear negative bit instruction is a word instruction.
<b>Status Bits</b>	N: Reset to 0 Z: Not affected C: Not affected V: Not affected
<b>Mode Bits</b>	OSCOFF, CPUOFF, and GIE are not affected.
<b>Example</b>	The negative bit in the SR is cleared. This avoids special treatment with negative numbers of the subroutine called.

```

                CLRN
                CALL SUBR
                .....
                .....
SUBR            JN      SUBRET      ; If input is negative: do nothing and return
                .....
                .....
                .....
SUBRET         RET

```

<b>* CLRZ</b>	Clear zero bit
<b>Syntax</b>	CLRZ
<b>Operation</b>	0 → Z or (.NOT.src .AND. dst → dst)
<b>Emulation</b>	BIC #2, SR
<b>Description</b>	The constant 02h is inverted (0FFFDh) and logically ANDed with the destination operand. The result is placed into the destination. The clear zero bit instruction is a word instruction.
<b>Status Bits</b>	N: Not affected Z: Reset to 0 C: Not affected V: Not affected
<b>Mode Bits</b>	OSCOFF, CPUOFF, and GIE are not affected.
<b>Example</b>	The zero bit in the SR is cleared.

CLRZ

Indirect, Auto-Increment mode: Call a subroutine at the 16-bit address contained in the word pointed to by register R5 (20-bit address) and increment the 16-bit address in R5 afterwards by 2. The next time the software uses R5 as a pointer, it can alter the program execution due to access to the next word address in the table pointed to by R5.

```
CALL @R5+          ; Start address at @R5. R5 + 2
```

Indexed mode: Call a subroutine at the 16-bit address contained in the 20-bit address pointed to by register (R5 + X), e.g., a table with addresses starting at X. The address is within the lower 64 KB. X is within +32 KB.

```
CALL X(R5)        ; Start address at @(R5+X). z16(R5)
```

<b>CMP[.W]</b>	Compare source word and destination word
<b>CMP.B</b>	Compare source byte and destination byte
<b>Syntax</b>	CMP src ,dst or CMP .W src ,dst CMP .B src ,dst
<b>Operation</b>	(.not.src) + 1 + dst or dst – src
<b>Emulation</b>	BIC #2, SR
<b>Description</b>	The source operand is subtracted from the destination operand. This is made by adding the 1s complement of the source + 1 to the destination. The result affects only the status bits in SR.  Register mode: the register bits Rdst.19:16 (.W) resp. Rdst. 19:8 (.B) are not cleared.
<b>Status Bits</b>	N: Set if result is negative (src > dst), reset if positive (src = dst) Z: Set if result is zero (src = dst), reset otherwise (src ≠ dst) C: Set if there is a carry from the MSB, reset otherwise V: Set if the subtraction of a negative source operand from a positive destination operand delivers a negative result, or if the subtraction of a positive source operand from a negative destination operand delivers a positive result, reset otherwise (no overflow).
<b>Mode Bits</b>	OSCOFF, CPUOFF, and GIE are not affected.
<b>Example</b>	Compare word EDE with a 16-bit constant 1800h. Jump to label TONI if EDE equals the constant. The address of EDE is within PC + 32 K.
	<pre> CMP      #01800h,EDE      ; Compare word EDE with 1800h JEQ     TONI              ; EDE contains 1800h ...     ; Not equal         </pre>
<b>Example</b>	A table word pointed to by (R5 + 10) is compared with R7. Jump to label TONI if R7 contains a lower, signed 16-bit number. R7.19:16 is not cleared. The address of the source operand is a 20-bit address in full memory range.
	<pre> CMP.W   10(R5),R7        ; Compare two signed numbers JL      TONI              ; R7 &lt; 10(R5) ...     ; R7 &gt;= 10(R5)         </pre>
<b>Example</b>	A table byte pointed to by R5 (20-bit address) is compared to the value in output Port1. Jump to label TONI if values are equal. The next table byte is addressed.
	<pre> CMP.B   @R5+,&amp;P1OUT      ; Compare P1 bits with table. R5 + 1 JEQ     TONI              ; Equal contents ...     ; Not equal         </pre>

\* **DADC[.W]** Add carry decimally to destination

\* **DADC.B** Add carry decimally to destination

**Syntax** DADC dst or DADC.W dst  
DADC.B dst

**Operation** dst + C → dst (decimally)

**Emulation** DADD #0, dst DADD.B #0, dst

**Description** The carry bit (C) is added decimally to the destination.

**Status Bits** N: Set if MSB is 1  
Z: Set if dst is 0, reset otherwise  
C: Set if destination increments from 9999 to 0000, reset otherwise  
Set if destination increments from 99 to 00, reset otherwise  
V: Undefined

**Mode Bits** OSCOFF, CPUOFF, and GIE are not affected.

**Example** The four-digit decimal number contained in R5 is added to an eight-digit decimal number pointed to by R8.

```
CLRC                ; Reset carry
                   ; next instruction's start condition is defined
DADD R5,0(R8)      ; Add LSDs + C
DADC 2(R8)         ; Add carry to MSD
```

**Example** The two-digit decimal number contained in R5 is added to a four-digit decimal number pointed to by R8.

```
CLRC                ; Reset carry
                   ; next instruction's start condition is defined
DADD.B R5,0(R8)    ; Add LSDs + C
DADC 1(R8)         ; Add carry to MSDs
```

<b>* DADD[.W]</b>	Add source word and carry decimally to destination word
<b>* DADD.B</b>	Add source byte and carry decimally to destination byte
<b>Syntax</b>	DADD src ,dst or DADD.W src ,dst DADD.B src ,dst
<b>Operation</b>	src + dst + C → dst (decimally)
<b>Description</b>	The source operand and the destination operand are treated as two (.B) or four (.W) binary coded decimals (BCD) with positive signs. The source operand and the carry bit C are added decimally to the destination operand. The source operand is not affected. The previous content of the destination is lost. The result is not defined for non-BCD numbers.
<b>Status Bits</b>	N: Set if MSB of result is 1 (word > 7999h, byte > 79h), reset if MSB is 0 Z: Set if result is zero, reset otherwise C: Set if the BCD result is too large (word > 9999h, byte > 99h), reset otherwise V: Undefined
<b>Mode Bits</b>	OSCOFF, CPUOFF, and GIE are not affected.
<b>Example</b>	Decimal 10 is added to the 16-bit BCD counter DECCNTR.

```
DADD #10h,&DECCNTR ; Add 10 to 4-digit BCD counter
```

<b>Example</b>	The eight-digit BCD number contained in 16-bit RAM addresses BCD and BCD+2 is added decimally to an eight-digit BCD number contained in R4 and R5 (BCD+2 and R5 contain the MSDs). The carry C is added, and cleared.
----------------	---

```
CLRC ; Clear carry
DADD.W &BCD,R4 ; Add LSDs. R4.19:16 = 0
DADD.W &BCD+2,R5 ; Add MSDs with carry. R5.19:16 = 0
JC OVERFLOW ; Result >9999,9999: go to error routine
... ; Result ok
```

<b>Example</b>	The two-digit BCD number contained in word BCD (16-bit address) is added decimally to a two-digit BCD number contained in R4. The carry C is added, also. R4.19:8 = 0CLRC ; Clear carry DADD.B &BCD,R4 ; Add BCD to R4 decimally. R4: 0,00ddh
----------------	--

```
CLRC ; Clear carry
DADD.B &BCD,R4 ; Add BCD to R4 decimally.
R4: 0,00ddh
```

<b>* DEC[.W]</b>	Decrement destination
<b>* DEC.B</b>	Decrement destination
<b>Syntax</b>	DEC dst or DEC.W dst DEC.B dst
<b>Operation</b>	dst - 1 → dst
<b>Emulation</b>	SUB #1, dst SUB.B #1, dst
<b>Description</b>	The destination operand is decremented by one. The original contents are lost.
<b>Status Bits</b>	N: Set if result is negative, reset if positive Z: Set if dst contained 1, reset otherwise C: Reset if dst contained 0, set otherwise V: Set if an arithmetic overflow occurs, otherwise reset. Set if initial value of destination was 08000h, otherwise reset. Set if initial value of destination was 080h, otherwise reset.
<b>Mode Bits</b>	OSCOFF, CPUOFF, and GIE are not affected.
<b>Example</b>	R10 is decremented by 1.

```

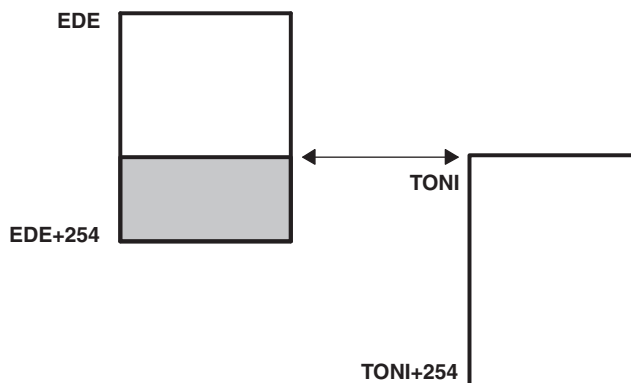
DEC     R10                ; Decrement R10

; Move a block of 255 bytes from memory location starting with EDE to
; memory location starting with TONI. Tables should not overlap: start of
; destination address TONI must not be within the range EDE to EDE+0FEh

MOV     #EDE, R6
MOV     #510, R10
L$1    MOV     @R6+, TONI-EDE-1(R6)
DEC     R10
JNZ     L$1

```

Do not transfer tables using the routine above with the overlap shown in [Figure 5-36](#).



**Figure 5-36. Decrement Overlap**



<b>* DECD[.W]</b>	Double-decrement destination
<b>* DECD.B</b>	Double-decrement destination
<b>Syntax</b>	DECD dst or DECD.W dst DECD.B dst
<b>Operation</b>	dst - 2 → dst
<b>Emulation</b>	SUB #2, dst SUB.B #2, dst
<b>Description</b>	The destination operand is decremented by two. The original contents are lost.
<b>Status Bits</b>	N: Set if result is negative, reset if positive Z: Set if dst contained 2, reset otherwise C: Reset if dst contained 0 or 1, set otherwise V: Set if an arithmetic overflow occurs, otherwise reset Set if initial value of destination was 08001 or 08000h, otherwise reset Set if initial value of destination was 081 or 080h, otherwise reset
<b>Mode Bits</b>	OSCOFF, CPUOFF, and GIE are not affected.
<b>Example</b>	R10 is decremented by 2.

```

DECD    R10                ; Decrement R10 by two

; Move a block of 255 bytes from memory location starting with EDE to
; memory location starting with TONI.
; Tables should not overlap: start of destination address TONI must not
; be within the range EDE to EDE+0FEh

MOV     #EDE, R6
MOV     #255, R10
L$1    MOV.B    @R6+, TONI-EDE-2(R6)
DECD    R10
JNZ     L$1

```

**Example** Memory at location LEO is decremented by two.

```

DECD.B  LEO                ; Decrement MEM(LEO)

Decrement status byte STATUS by two

DECD.B  STATUS

```

<b>* DINT</b>	Disable (general) interrupts
<b>Syntax</b>	DINT
<b>Operation</b>	0 → GIE or (0FFF7h .AND. SR → SR / .NOT.src .AND. dst → dst)
<b>Emulation</b>	BIC #8, SR
<b>Description</b>	All interrupts are disabled. The constant 08h is inverted and logically ANDed with the SR. The result is placed into the SR.
<b>Status Bits</b>	Status bits are not affected.
<b>Mode Bits</b>	GIE is reset. OSCOFF and CPUOFF are not affected.
<b>Example</b>	The general interrupt enable (GIE) bit in the SR is cleared to allow a nondisrupted move of a 32-bit counter. This ensures that the counter is not modified during the move by any interrupt.

```

DINT                ; All interrupt events using the GIE bit are disabled
NOP
MOV    COUNTHI,R5   ; Copy counter
MOV    COUNTLO,R6
EINT                ; All interrupt events using the GIE bit are enabled

```

**Note: Disable interrupt**

If any code sequence needs to be protected from interruption, DINT should be executed at least one instruction before the beginning of the uninterruptible sequence, or it should be followed by a NOP instruction.

<b>* EINT</b>	Enable (general) interrupts
<b>Syntax</b>	EINT
<b>Operation</b>	1 → GIE or (0008h .OR. SR → SR / .src .OR. dst → dst)
<b>Emulation</b>	BIS #8, SR
<b>Description</b>	All interrupts are enabled. The constant #08h and the SR are logically ORed. The result is placed into the SR.
<b>Status Bits</b>	Status bits are not affected.
<b>Mode Bits</b>	GIE is set. OSCOFF and CPUOFF are not affected.
<b>Example</b>	The general interrupt enable (GIE) bit in the SR is set.

```

PUSH.B    &P1IN
BIC.B     @SP,&P1IFG ; Reset only accepted flags
EINT      ; Preset port 1 interrupt flags stored on stack
          ; other interrupts are allowed

BIT       #Mask,@SP
JEQ       MaskOK    ; Flags are present identically to mask: jump
.....
MaskOK    BIC       #Mask,@SP
          ;
          ;
          ;
INCD      SP        ; Housekeeping: inverse to PUSH instruction
          ; at the start of interrupt subroutine. Corrects
          ; the stack pointer.

RETI

```

**Note: Enable interrupt**

The instruction following the enable interrupt instruction (EINT) is always executed, even if an interrupt service request is pending when the interrupts are enabled.

<b>* INC[.W]</b>	Increment destination
<b>* INC.B</b>	Increment destination
<b>Syntax</b>	INC dst or INC.W dst INC.B dst
<b>Operation</b>	dst + 1 → dst
<b>Emulation</b>	ADD #1, dst
<b>Description</b>	The destination operand is incremented by one. The original contents are lost.
<b>Status Bits</b>	N: Set if result is negative, reset if positive Z: Set if dst contained 0FFFFh, reset otherwise Set if dst contained 0FFh, reset otherwise C: Set if dst contained 0FFFFh, reset otherwise Set if dst contained 0FFh, reset otherwise V: Set if dst contained 07FFFh, reset otherwise Set if dst contained 07Fh, reset otherwise
<b>Mode Bits</b>	OSCOFF, CPUOFF, and GIE are not affected.
<b>Example</b>	The status byte, STATUS, of a process is incremented. When it is equal to 11, a branch to OVFL is taken.
	INC.B STATUS
	CMP.B #11, STATUS
	JEQ OVFL

<b>* INCD[.W]</b>	Double-increment destination
<b>* INCD.B</b>	Double-increment destination
<b>Syntax</b>	INCD dst or INCD.W dst INCD.B dst
<b>Operation</b>	dst + 2 → dst
<b>Emulation</b>	ADD #2, dst
<b>Description</b>	The destination operand is incremented by two. The original contents are lost.
<b>Status Bits</b>	N: Set if result is negative, reset if positive Z: Set if dst contained 0FFFEh, reset otherwise Set if dst contained 0FEh, reset otherwise C: Set if dst contained 0FFFEh or 0FFFFh, reset otherwise Set if dst contained 0FEh or 0FFh, reset otherwise V: Set if dst contained 07FFEh or 07FFFh, reset otherwise Set if dst contained 07Eh or 07Fh, reset otherwise
<b>Mode Bits</b>	OSCOFF, CPUOFF, and GIE are not affected.
<b>Example</b>	The item on the top of the stack (TOS) is removed without using a register.

```

.....
PUSH  R5      ; R5 is the result of a calculation, which is stored
           ; in the system stack
INCD   SP     ; Remove TOS by double-increment from stack
           ; Do not use INCD.B, SP is a word-aligned register
RET

```

**Example** The byte on the top of the stack is incremented by two.

```
INCD.B 0(SP) ; Byte on TOS is increment by two
```

<b>* INV[.W]</b>	Invert destination
<b>* INV.B</b>	Invert destination
<b>Syntax</b>	INV dst or INV.W dst INV.B dst
<b>Operation</b>	.not.dst → dst
<b>Emulation</b>	XOR #0FFFFh, dst XOR.B #0FFh, dst
<b>Description</b>	The destination operand is inverted. The original contents are lost.
<b>Status Bits</b>	N: Set if result is negative, reset if positive Z: Set if dst contained 0FFFFh, reset otherwise Set if dst contained 0FFh, reset otherwise C: Set if result is not zero, reset otherwise (= .NOT. Zero) V: Set if initial destination operand was negative, otherwise reset
<b>Mode Bits</b>	OSCOFF, CPUOFF, and GIE are not affected.
<b>Example</b>	Content of R5 is negated (2s complement).

```

MOV    #00AEh, R5    ;           R5 = 000AEh
INV    R5             ; Invert R5,  R5 = 0FF51h
INC    R5             ; R5 is now negated, R5 = 0FF52h

```

**Example** Content of memory byte LEO is negated.

```

MOV.B  #0AEh, LEO    ;           MEM(LEO) = 0AEh
INV.B  LEO           ; Invert LEO,  MEM(LEO) = 051h
INC.B  LEO           ; MEM(LEO) is negated, MEM(LEO) = 052h

```

<b>JC</b>	Jump if carry
<b>JHS</b>	Jump if higher or same (unsigned)
<b>Syntax</b>	JC label JHS label
<b>Operation</b>	If C = 1: PC + (2 × Offset) → PC If C = 0: execute the following instruction
<b>Description</b>	The carry bit C in the SR is tested. If it is set, the signed 10-bit word offset contained in the instruction is multiplied by two, sign extended, and added to the 20-bit PC. This means a jump in the range –511 to +512 words relative to the PC in the full memory range. If C is reset, the instruction after the jump is executed. JC is used for the test of the carry bit C. JHS is used for the comparison of unsigned numbers.
<b>Status Bits</b>	Status bits are not affected
<b>Mode Bits</b>	OSCOFF, CPUOFF, and GIE are not affected.
<b>Example</b>	The state of the port 1 pin P1IN.1 bit defines the program flow.

```

BIT.B #2,&P1IN      ; Port 1, bit 1 set? Bit -> C
JC    Label1       ; Yes, proceed at Label1
...           ; No, continue

```

**Example** If  $R5 \geq R6$  (unsigned), the program continues at Label2.

```

CMP   R6,R 5      ; Is R5 >= R6? Info to C
JHS   Label2     ; Yes, C = 1
...           ; No, R5 < R6. Continue

```

**Example** If  $R5 \geq 12345h$  (unsigned operands), the program continues at Label2.

```

CMPA  #12345h,R5  ; Is R5 >= 12345h? Info to C
JHS   Label2     ; Yes, 12344h < R5 <= F,FFFh. C = 1
...           ; No, R5 < 12345h. Continue

```

<b>JEQ</b>	Jump if equal
<b>JZ</b>	Jump if zero
<b>Syntax</b>	JEQ label JZ label
<b>Operation</b>	If Z = 1: PC + (2 × Offset) → PC If Z = 0: execute following instruction
<b>Description</b>	The zero bit Z in the SR is tested. If it is set, the signed 10-bit word offset contained in the instruction is multiplied by two, sign extended, and added to the 20-bit PC. This means a jump in the range –511 to +512 words relative to the PC in the full memory range. If Z is reset, the instruction after the jump is executed. JZ is used for the test of the zero bit Z. JEQ is used for the comparison of operands.
<b>Status Bits</b>	Status bits are not affected
<b>Mode Bits</b>	OSCOFF, CPUOFF, and GIE are not affected.
<b>Example</b>	The state of the P2IN.0 bit defines the program flow.

```

BIT.B   #1,&P2IN      ; Port 2, bit 0 reset?
JZ      Label1       ; Yes, proceed at Label1
...     ; No, set, continue

```

**Example** If R5 = 15000h (20-bit data), the program continues at Label2.

```

CMPA   #15000h,R5    ; Is R5 = 15000h? Info to SR
JEQ    Label2        ; Yes, R5 = 15000h. Z = 1
...    ; No, R5 not equal 15000h. Continue

```

**Example** R7 (20-bit counter) is incremented. If its content is zero, the program continues at Label4.

```

ADDA   #1,R7         ; Increment R7
JZ     Label4        ; Zero reached: Go to Label4
...    ; R7 not equal 0. Continue here.

```



<b>JGE</b>	Jump if greater or equal (signed)
<b>Syntax</b>	JGE label
<b>Operation</b>	If (N .xor. V) = 0: PC + (2 × Offset) → PC If (N .xor. V) = 1: execute following instruction
<b>Description</b>	The negative bit N and the overflow bit V in the SR are tested. If both bits are set or both are reset, the signed 10-bit word offset contained in the instruction is multiplied by two, sign extended, and added to the 20-bit PC. This means a jump in the range -511 to +512 words relative to the PC in full Memory range. If only one bit is set, the instruction after the jump is executed. JGE is used for the comparison of signed operands: also for incorrect results due to overflow, the decision made by the JGE instruction is correct. Note that JGE emulates the nonimplemented JP (jump if positive) instruction if used after the instructions AND, BIT, RRA, SXTX, and TST. These instructions clear the V bit.
<b>Status Bits</b>	Status bits are not affected.
<b>Mode Bits</b>	OSCOFF, CPUOFF, and GIE are not affected.
<b>Example</b>	If byte EDE (lower 64 K) contains positive data, go to Label1. Software can run in the full memory range.

```
TST.B    &EDE           ; Is EDE positive? V <- 0
JGE     Label1        ; Yes, JGE emulates JP
...      ; No, 80h <= EDE <= FFh
```

<b>Example</b>	If the content of R6 is greater than or equal to the memory pointed to by R7, the program continues a Label5. Signed data. Data and program in full memory range.
----------------	---

```
CMP     @R7,R6        ; Is R6 >= @R7?
JGE     Label5        ; Yes, go to Label5
...      ; No, continue here
```

<b>Example</b>	If $R5 \geq 12345h$ (signed operands), the program continues at Label2. Program in full memory range.
----------------	---

```
CMPA    #12345h,R5    ; Is R5 >= 12345h?
JGE     Label2        ; Yes, 12344h < R5 <= 7FFFFh
...      ; No, 80000h <= R5 < 12345h
```

<b>JL</b>	Jump if less (signed)
<b>Syntax</b>	JL label
<b>Operation</b>	If (N .xor. V) = 1: PC + (2 × Offset) → PC If (N .xor. V) = 0: execute following instruction
<b>Description</b>	The negative bit N and the overflow bit V in the SR are tested. If only one is set, the signed 10-bit word offset contained in the instruction is multiplied by two, sign extended, and added to the 20-bit PC. This means a jump in the range –511 to +512 words relative to the PC in full memory range. If both bits N and V are set or both are reset, the instruction after the jump is executed. JL is used for the comparison of signed operands: also for incorrect results due to overflow, the decision made by the JL instruction is correct.
<b>Status Bits</b>	Status bits are not affected.
<b>Mode Bits</b>	OSCOFF, CPUOFF, and GIE are not affected.
<b>Example</b>	If byte EDE contains a smaller, signed operand than byte TONI, continue at Label1. The address EDE is within PC ± 32 K.

```

CMP.B  &TONI,EDE      ; Is EDE < TONI
JL     Label1        ; Yes
...                               ; No, TONI <= EDE

```

<b>Example</b>	If the signed content of R6 is less than the memory pointed to by R7 (20-bit address), the program continues at Label5. Data and program in full memory range.
----------------	--

```

CMP    @R7,R6        ; Is R6 < @R7?
JL     Label15       ; Yes, go to Label15
...                               ; No, continue here

```

<b>Example</b>	If R5 < 12345h (signed operands), the program continues at Label2. Data and program in full memory range.
----------------	---

```

CMPA   #12345h,R5    ; Is R5 < 12345h?
JL     Label2        ; Yes, 80000h =< R5 < 12345h
...                               ; No, 12344h < R5 <= 7FFFFh

```

<b>JMP</b>	Jump unconditionally
<b>Syntax</b>	JMP label
<b>Operation</b>	PC + (2 × Offset) → PC
<b>Description</b>	The signed 10-bit word offset contained in the instruction is multiplied by two, sign extended, and added to the 20-bit PC. This means an unconditional jump in the range –511 to +512 words relative to the PC in the full memory. The JMP instruction may be used as a BR or BRA instruction within its limited range relative to the PC.
<b>Status Bits</b>	Status bits are not affected
<b>Mode Bits</b>	OSCOFF, CPUOFF, and GIE are not affected.
<b>Example</b>	The byte STATUS is set to 10. Then a jump to label MAINLOOP is made. Data in lower 64 K, program in full memory range.

```
MOV.B #10,&STATUS ; Set STATUS to 10
JMP MAINLOOP ; Go to main loop
```

<b>Example</b>	The interrupt vector TAIV of Timer_A3 is read and used for the program flow. Program in full memory range, but interrupt handlers always starts in lower 64 K.
----------------	--

```
ADD &TAIV,PC ; Add Timer_A interrupt vector to PC
RETI ; No Timer_A interrupt pending
JMP IHCCR1 ; Timer block 1 caused interrupt
JMP IHCCR2 ; Timer block 2 caused interrupt
RETI ; No legal interrupt, return
```

<b>JN</b>	Jump if negative
<b>Syntax</b>	JN label
<b>Operation</b>	If N = 1: PC + (2 × Offset) → PC If N = 0: execute following instruction
<b>Description</b>	The negative bit N in the SR is tested. If it is set, the signed 10-bit word offset contained in the instruction is multiplied by two, sign extended, and added to the 20-bit program PC. This means a jump in the range -511 to +512 words relative to the PC in the full memory range. If N is reset, the instruction after the jump is executed.
<b>Status Bits</b>	Status bits are not affected.
<b>Mode Bits</b>	OSCOFF, CPUOFF, and GIE are not affected.
<b>Example</b>	The byte COUNT is tested. If it is negative, program execution continues at Label0. Data in lower 64 K, program in full memory range.

```
TST.B  &COUNT    ; Is byte COUNT negative?
JN     Label0     ; Yes, proceed at Label0
...           ; COUNT >= 0
```

<b>Example</b>	R6 is subtracted from R5. If the result is negative, program continues at Label2. Program in full memory range.
----------------	---

```
SUB   R6,R5      ; R5 - R6 -> R5
JN    Label2     ; R5 is negative: R6 > R5 (N = 1)
...           ; R5 >= 0. Continue here.
```

<b>Example</b>	R7 (20-bit counter) is decremented. If its content is below zero, the program continues at Label4. Program in full memory range.
----------------	--

```
SUBA  #1,R7      ; Decrement R7
JN    Label4     ; R7 < 0: Go to Label4
...           ; R7 >= 0. Continue here.
```

<b>JNC</b>	Jump if no carry
<b>JLO</b>	Jump if lower (unsigned)
<b>Syntax</b>	JNC label JLO label
<b>Operation</b>	If C = 0: PC + (2 × Offset) → PC If C = 1: execute following instruction
<b>Description</b>	The carry bit C in the SR is tested. If it is reset, the signed 10-bit word offset contained in the instruction is multiplied by two, sign extended, and added to the 20-bit PC. This means a jump in the range –511 to +512 words relative to the PC in the full memory range. If C is set, the instruction after the jump is executed. JNC is used for the test of the carry bit C. JLO is used for the comparison of unsigned numbers.
<b>Status Bits</b>	Status bits are not affected.
<b>Mode Bits</b>	OSCOFF, CPUOFF, and GIE are not affected.
<b>Example</b>	If byte EDE < 15, the program continues at Label2. Unsigned data. Data in lower 64 K, program in full memory range.

```

CMP.B  #15,&EDE      ; Is EDE < 15? Info to C
JLO    Label2       ; Yes, EDE < 15. C = 0
...                    ; No, EDE >= 15. Continue

```

<b>Example</b>	The word TONI is added to R5. If no carry occurs, continue at Label0. The address of TONI is within PC ± 32 K.
----------------	--

```

ADD    TONI,R5      ; TONI + R5 -> R5. Carry -> C
JNC    Label0       ; No carry
...                    ; Carry = 1: continue here

```

<b>JNZ</b>	Jump if not zero
<b>JNE</b>	Jump if not equal
<b>Syntax</b>	JNZ label JNE label
<b>Operation</b>	If Z = 0: PC + (2 × Offset) → PC If Z = 1: execute following instruction
<b>Description</b>	The zero bit Z in the SR is tested. If it is reset, the signed 10-bit word offset contained in the instruction is multiplied by two, sign extended, and added to the 20-bit PC. This means a jump in the range –511 to +512 words relative to the PC in the full memory range. If Z is set, the instruction after the jump is executed. JNZ is used for the test of the zero bit Z. JNE is used for the comparison of operands.
<b>Status Bits</b>	Status bits are not affected.
<b>Mode Bits</b>	OSCOFF, CPUOFF, and GIE are not affected.
<b>Example</b>	The byte STATUS is tested. If it is not zero, the program continues at Label3. The address of STATUS is within PC ± 32 K.

```
TST.B STATUS          ; Is STATUS = 0?
JNZ Label3            ; No, proceed at Label3
...                  ; Yes, continue here
```

<b>Example</b>	If word EDE ≠ 1500, the program continues at Label2. Data in lower 64 K, program in full memory range.
----------------	--

```
CMP #1500,&EDE        ; Is EDE = 1500? Info to SR
JNE Label2            ; No, EDE not equal 1500.
...                  ; Yes, R5 = 1500. Continue
```

<b>Example</b>	R7 (20-bit counter) is decremented. If its content is not zero, the program continues at Label4. Program in full memory range.
----------------	--

```
SUBA #1,R7           ; Decrement R7
JNZ Label4           ; Zero not reached: Go to Label4
...                  ; Yes, R7 = 0. Continue here.
```

<b>MOV[.W]</b>	Move source word to destination word
<b>MOV.B</b>	Move source byte to destination byte
<b>Syntax</b>	MOV src, dst or MOV.W src, dst MOV.B src, dst
<b>Operation</b>	src → dst
<b>Description</b>	The source operand is copied to the destination. The source operand is not affected.
<b>Status Bits</b>	N: Not affected Z: Not affected C: Not affected V: Not affected
<b>Mode Bits</b>	OSCOFF, CPUOFF, and GIE are not affected.
<b>Example</b>	Move a 16-bit constant 1800h to absolute address-word EDE (lower 64 K)

```
MOV    #01800h, &EDE           ; Move 1800h to EDE
```

<b>Example</b>	The contents of table EDE (word data, 16-bit addresses) are copied to table TOM. The length of the tables is 030h words. Both tables reside in the lower 64 K.
----------------	--

```
MOV    #EDE, R10               ; Prepare pointer (16-bit address)
Loop   MOV    @R10+, TOM-EDE-2(R10) ; R10 points to both tables.
                                   ; R10+2
CMP    #EDE+60h, R10           ; End of table reached?
JLO    Loop                    ; Not yet
...    ; Copy completed
```

<b>Example</b>	The contents of table EDE (byte data, 16-bit addresses) are copied to table TOM. The length of the tables is 020h bytes. Both tables may reside in full memory range, but must be within R10 ± 32 K.
----------------	--

```
MOVA   #EDE, R10               ; Prepare pointer (20-bit)
MOV    #20h, R9                ; Prepare counter
Loop   MOV.B  @R10+, TOM-EDE-1(R10) ; R10 points to both tables.
                                   ; R10+1
DEC    R9                      ; Decrement counter
JNZ    Loop                    ; Not yet done
...    ; Copy completed
```

---

<b>* NOP</b>	No operation
<b>Syntax</b>	NOP
<b>Operation</b>	None
<b>Emulation</b>	MOV #0, R3
<b>Description</b>	No operation is performed. The instruction may be used for the elimination of instructions during the software check or for defined waiting times.
<b>Status Bits</b>	Status bits are not affected.



<b>* POP[.W]</b>	Pop word from stack to destination
<b>* POP.B</b>	Pop byte from stack to destination
<b>Syntax</b>	POP dst POP.B dst
<b>Operation</b>	@SP → temp SP + 2 → SP temp → dst
<b>Emulation</b>	MOV @SP+, dst or MOV.W @SP+, dst MOV.B @SP+, dst
<b>Description</b>	The stack location pointed to by the SP (TOS) is moved to the destination. The SP is incremented by two afterwards.
<b>Status Bits</b>	Status bits are not affected.
<b>Example</b>	The contents of R7 and the SR are restored from the stack.

```
POP R7      ; Restore R7
POP SR     ; Restore status register
```

**Example** The contents of RAM byte LEO is restored from the stack.

```
POP.B LEO   ; The low byte of the stack is moved to LEO.
```

**Example** The contents of R7 is restored from the stack.

```
POP.B R7    ; The low byte of the stack is moved to R7,
             ; the high byte of R7 is 00h
```

**Example** The contents of the memory pointed to by R7 and the SR are restored from the stack.

```
POP.B 0(R7) ; The low byte of the stack is moved to the
             ; the byte which is pointed to by R7
             ; Example:  R7 = 203h
             ;           Mem(R7) = low byte of system stack
             ; Example:  R7 = 20Ah
             ;           Mem(R7) = low byte of system stack
POP SR     ; Last word on stack moved to the SR
```

---

**Note: System stack pointer**

The system SP is always incremented by two, independent of the byte suffix.

---

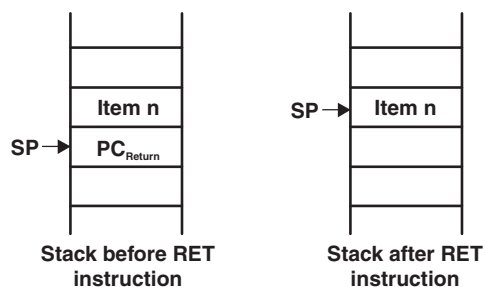
<b>PUSH[.W]</b>	Save a word on the stack
<b>PUSH.B</b>	Save a byte on the stack
<b>Syntax</b>	PUSH dst or PUSH.W dst PUSH.B dst
<b>Operation</b>	SP - 2 → SP dst → @SP
<b>Description</b>	The 20-bit SP is decremented by two. The operand is then copied to the RAM word addressed by the SP. A pushed byte is stored in the low byte; the high byte is not affected.
<b>Status Bits</b>	Status bits are not affected.
<b>Mode Bits</b>	OSCOFF, CPUOFF, and GIE are not affected.
<b>Example</b>	Save the two 16-bit registers R9 and R10 on the stack
	<pre> PUSH    R9        ; Save R9 and R10 XXXXh PUSH    R10       ; YYYh </pre>
<b>Example</b>	Save the two bytes EDE and TONI on the stack. The addresses EDE and TONI are within PC ± 32 K.
	<pre> PUSH.B  EDE       ; Save EDE   xxXXh PUSH.B  TONI      ; Save TONI  xxYYh </pre>

<b>RET</b>	Return from subroutine
<b>Syntax</b>	RET
<b>Operation</b>	@SP → PC.15:0    Saved PC to PC.15:0.    PC.19:16 ← 0 SP + 2 → SP
<b>Description</b>	The 16-bit return address (lower 64 K), pushed onto the stack by a CALL instruction is restored to the PC. The program continues at the address following the subroutine call. The four MSBs of the PC.19:16 are cleared.
<b>Status Bits</b>	Status bits are not affected. PC.19:16: Cleared
<b>Mode Bits</b>	OSCOFF, CPUOFF, and GIE are not affected.
<b>Example</b>	Call a subroutine SUBR in the lower 64 K and return to the address in the lower 64 K after the CALL.

```

CALL    #SUBR    ; Call subroutine starting at SUBR
...     ; Return by RET to here
SUBR   PUSH    R14    ; Save R14 (16 bit data)
...     ; Subroutine code
POP     R14     ; Restore R14
RET     ; Return to lower 64 K

```



**Figure 5-37. Stack After a RET Instruction**

<b>RETI</b>	Return from interrupt
<b>Syntax</b>	RETI
<b>Operation</b>	<p>@SP → SR.15:0     Restore saved SR with PC.19:16          SP + 2 → SP</p> <p>@SP → PC.15:0     Restore saved PC.15:0          SP + 2 → SP     Housekeeping</p>
<b>Description</b>	<p>The SR is restored to the value at the beginning of the interrupt service routine. This includes the four MSBs of the PC.19:16. The SP is incremented by two afterward. The 20-bit PC is restored from PC.19:16 (from same stack location as the status bits) and PC.15:0. The 20-bit PC is restored to the value at the beginning of the interrupt service routine. The program continues at the address following the last executed instruction when the interrupt was granted. The SP is incremented by two afterward.</p>
<b>Status Bits</b>	<p>N:    Restored from stack          C:    Restored from stack          Z:    Restored from stack          V:    Restored from stack</p>
<b>Mode Bits</b>	OSCOFF, CPUOFF, and GIE are restored from stack.
<b>Example</b>	Interrupt handler in the lower 64 K. A 20-bit return address is stored on the stack.

```

INTRPT  PUSHM.A   #2,R14   ; Save R14 and R13 (20-bit data)
        ...           ; Interrupt handler code
        POPM.A    #2,R14   ; Restore R13 and R14 (20-bit data)
        RETI       ; Return to 20-bit address in full memory range

```

\* **RLA[.W]** Rotate left arithmetically

\* **RLA.B** Rotate left arithmetically

**Syntax** RLA dst or RLA.W dst

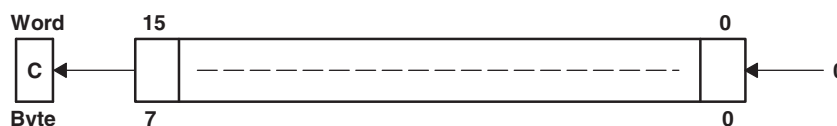
RLA.B dst

**Operation**  $C \leftarrow \text{MSB} \leftarrow \text{MSB}-1 \dots \text{LSB}+1 \leftarrow \text{LSB} \leftarrow 0$

**Emulation** ADD dst, dst ADD.B dst, dst

**Description** The destination operand is shifted left one position as shown in [Figure 5-38](#). The MSB is shifted into the carry bit (C) and the LSB is filled with 0. The RLA instruction acts as a signed multiplication by 2.

An overflow occurs if  $\text{dst} \geq 04000\text{h}$  and  $\text{dst} < 0\text{C}000\text{h}$  before operation is performed; the result has changed sign.



**Figure 5-38. Destination Operand—Arithmetic Shift Left**

An overflow occurs if  $\text{dst} \geq 040\text{h}$  and  $\text{dst} < 0\text{C}0\text{h}$  before the operation is performed; the result has changed sign.

**Status Bits** N: Set if result is negative, reset if positive

Z: Set if result is zero, reset otherwise

C: Loaded from the MSB

V: Set if an arithmetic overflow occurs; the initial value is  $04000\text{h} \leq \text{dst} < 0\text{C}000\text{h}$ , reset otherwise

Set if an arithmetic overflow occurs; the initial value is  $040\text{h} \leq \text{dst} < 0\text{C}0\text{h}$ , reset otherwise

**Mode Bits** OSCOFF, CPUOFF, and GIE are not affected.

**Example** R7 is multiplied by 2.

```
RLA R7 ; Shift left R7 (x 2)
```

**Example** The low byte of R7 is multiplied by 4.

```
RLA.B R7 ; Shift left low byte of R7 (x 2)
```

```
RLA.B R7 ; Shift left low byte of R7 (x 4)
```

---

**Note: RLA substitution**

The assembler does not recognize the instructions:

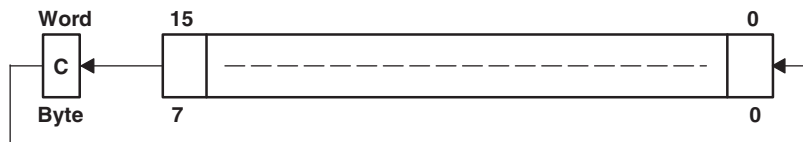
```
RLA @R5+          RLA.B @R5+          RLA(.B) @R5
```

They must be substituted by:

```
ADD @R5+, -2(R5)  ADD.B @R5+, -1(R5)  ADD(.B) @R5
```

---

- \* **RLC[W]** Rotate left through carry
- \* **RLC.B** Rotate left through carry
- Syntax** RLC dst or RLC.W dst  
RLC.B dst
- Operation**  $C \leftarrow MSB \leftarrow MSB-1 \dots LSB+1 \leftarrow LSB \leftarrow C$
- Emulation** ADDC dst, dst
- Description** The destination operand is shifted left one position as shown in Figure 5-39. The carry bit (C) is shifted into the LSB, and the MSB is shifted into the carry bit (C).



**Figure 5-39. Destination Operand—Carry Left Shift**

- Status Bits**
- N: Set if result is negative, reset if positive
  - Z: Set if result is zero, reset otherwise
  - C: Loaded from the MSB
  - V: Set if an arithmetic overflow occurs; the initial value is  $04000h \leq dst < 0C000h$ , reset otherwise
  - Set if an arithmetic overflow occurs; the initial value is  $040h \leq dst < 0C0h$ , reset otherwise

**Mode Bits** OSCOFF, CPUOFF, and GIE are not affected.

**Example** R5 is shifted left one position.

```
RLC    R5            ; (R5 x 2) + C -> R5
```

**Example** The input P1IN.1 information is shifted into the LSB of R5.

```
BIT.B  #2,&P1IN     ; Information -> Carry
RLC    R5            ; Carry=P0in.1 -> LSB of R5
```

**Example** The MEM(LEO) content is shifted left one position.

```
RLC.B  LEO          ; Mem(LEO) x 2 + C -> Mem(LEO)
```

**Note: RLA substitution**

The assembler does not recognize the instructions:

```
RLC @R5+           RLC.B @R5+           RLC(.B) @R5
```

They must be substituted by:

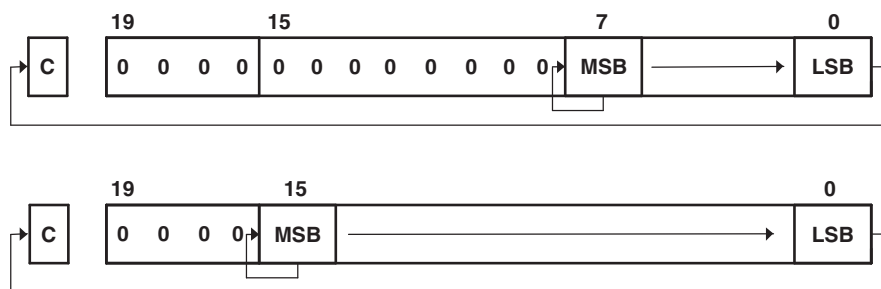
```
ADDC @R5+,-2(R5)  ADDC.B @R5+,-1(R5)    ADDC(.B) @R5
```

<b>RRA[.W]</b>	Rotate right arithmetically destination word
<b>RRA.B</b>	Rotate right arithmetically destination byte
<b>Syntax</b>	RRA . B dst or RRA . W dst
<b>Operation</b>	MSB → MSB → MSB-1 → ... LSB+1 → LSB → C
<b>Description</b>	The destination operand is shifted right arithmetically by one bit position as shown in <a href="#">Figure 5-40</a> . The MSB retains its value (sign). RRA operates equal to a signed division by 2. The MSB is retained and shifted into the MSB-1. The LSB+1 is shifted into the LSB. The previous LSB is shifted into the carry bit C.
<b>Status Bits</b>	N: Set if result is negative (MSB = 1), reset otherwise (MSB = 0) Z: Set if result is zero, reset otherwise C: Loaded from the LSB V: Reset
<b>Mode Bits</b>	OSCOFF, CPUOFF, and GIE are not affected.
<b>Example</b>	The signed 16-bit number in R5 is shifted arithmetically right one position.

```
RRA    R5                ; R5/2 -> R5
```

**Example** The signed RAM byte EDE is shifted arithmetically right one position.

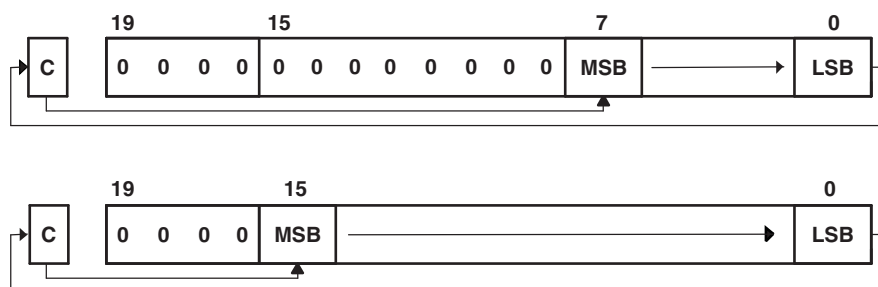
```
RRA.B  EDE              ; EDE/2 -> EDE
```



**Figure 5-40. Rotate Right Arithmetically RRA.B and RRA.W**

<b>RRC[W]</b>	Rotate right through carry destination word
<b>RRC.B</b>	Rotate right through carry destination byte
<b>Syntax</b>	RRC dst or RRC.W dst RRC.B dst
<b>Operation</b>	C → MSB → MSB-1 → ... LSB+1 → LSB → C
<b>Description</b>	The destination operand is shifted right by one bit position as shown in <a href="#">Figure 5-41</a> . The carry bit C is shifted into the MSB and the LSB is shifted into the carry bit C.
<b>Status Bits</b>	N: Set if result is negative (MSB = 1), reset otherwise (MSB = 0) Z: Set if result is zero, reset otherwise C: Loaded from the LSB V: Reset
<b>Mode Bits</b>	OSCOFF, CPUOFF, and GIE are not affected.
<b>Example</b>	RAM word EDE is shifted right one bit position. The MSB is loaded with 1.

```
SETC           ; Prepare carry for MSB
RRC  EDE      ; EDE = EDE >> 1 + 8000h
```



**Figure 5-41. Rotate Right Through Carry RRC.B and RRC.W**



<b>* SBC[.W]</b>	Subtract borrow (.NOT. carry) from destination
<b>* SBC.B</b>	Subtract borrow (.NOT. carry) from destination
<b>Syntax</b>	SBC dst or SBC.W dst SBC.B dst
<b>Operation</b>	dst + 0FFFFh + C → dst dst + 0FFh + C → dst
<b>Emulation</b>	SUBC #0, dst SUBC.B #0, dst
<b>Description</b>	The carry bit (C) is added to the destination operand minus one. The previous contents of the destination are lost.
<b>Status Bits</b>	N: Set if result is negative, reset if positive Z: Set if result is zero, reset otherwise C: Set if there is a carry from the MSB of the result, reset otherwise Set to 1 if no borrow, reset if borrow V: Set if an arithmetic overflow occurs, reset otherwise
<b>Mode Bits</b>	OSCOFF, CPUOFF, and GIE are not affected.
<b>Example</b>	The 16-bit counter pointed to by R13 is subtracted from a 32-bit counter pointed to by R12.

```

SUB    @R13,0(R12)    ; Subtract LSDs
SBC    2(R12)         ; Subtract carry from MSD

```

<b>Example</b>	The 8-bit counter pointed to by R13 is subtracted from a 16-bit counter pointed to by R12.
----------------	--

```

SUB.B  @R13,0(R12)    ; Subtract LSDs
SBC.B  1(R12)         ; Subtract carry from MSD

```

---

**Note: Borrow implementation**

The borrow is treated as a .NOT. carry:

Borrow	Carry Bit
Yes	0
No	1

---

**\* SETC**      Set carry bit

**Syntax**      SETC

**Operation**    1 → C

**Emulation**    BIS #1, SR

**Description**   The carry bit (C) is set.

**Status Bits**   N:   Not affected  
                   Z:   Not affected  
                   C:   Set  
                   V:   Not affected

**Mode Bits**    OSCOFF, CPUOFF, and GIE are not affected.

**Example**      Emulation of the decimal subtraction:  
                   Subtract R5 from R6 decimally.  
                   Assume that R5 = 03987h and R6 = 04137h.

```

DSUB  ADD    #06666h,R5    ; Move content R5 from 0-9 to 6-0Fh
                                ; R5 = 03987h + 06666h = 09FEDh
                                ; Invert this (result back to 0-9)
                                ; R5 = .NOT. R5 = 06012h
                                ; Prepare carry = 1
DADD  R5,R6    ; Emulate subtraction by addition of:
                                ; (010000h - R5 - 1)
                                ; R6 = R6 + R5 + 1
                                ; R6 = 0150h

```

<b>* SETN</b>	Set negative bit
<b>Syntax</b>	SETN
<b>Operation</b>	1 → N
<b>Emulation</b>	BIS #4, SR
<b>Description</b>	The negative bit (N) is set.
<b>Status Bits</b>	N: Set Z: Not affected C: Not affected V: Not affected
<b>Mode Bits</b>	OSCOFF, CPUOFF, and GIE are not affected.

---

<b>* SETZ</b>	Set zero bit
<b>Syntax</b>	SETZ
<b>Operation</b>	1 → N
<b>Emulation</b>	BIS #2, SR
<b>Description</b>	The zero bit (Z) is set.
<b>Status Bits</b>	N: Not affected Z: Set C: Not affected V: Not affected
<b>Mode Bits</b>	OSCOFF, CPUOFF, and GIE are not affected.

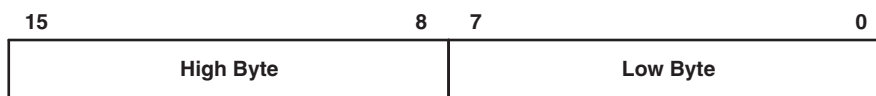
<b>SUB[W]</b>	Subtract source word from destination word
<b>SUB.B</b>	Subtract source byte from destination byte
<b>Syntax</b>	SUB src, dst or SUB.W src, dst SUB.B src, dst
<b>Operation</b>	(.not.src) + 1 + dst → dst or dst – src → dst
<b>Description</b>	The source operand is subtracted from the destination operand. This is made by adding the 1s complement of the source + 1 to the destination. The source operand is not affected, the result is written to the destination operand.
<b>Status Bits</b>	N: Set if result is negative (src > dst), reset if positive (src ≤ dst) Z: Set if result is zero (src = dst), reset otherwise (src ≠ dst) C: Set if there is a carry from the MSB, reset otherwise V: Set if the subtraction of a negative source operand from a positive destination operand delivers a negative result, or if the subtraction of a positive source operand from a negative destination operand delivers a positive result, reset otherwise (no overflow)
<b>Mode Bits</b>	OSCOFF, CPUOFF, and GIE are not affected.
<b>Example</b>	A 16-bit constant 7654h is subtracted from RAM word EDE.
	<pre>SUB    #7654h,&amp;EDE    ; Subtract 7654h from EDE</pre>
<b>Example</b>	A table word pointed to by R5 (20-bit address) is subtracted from R7. Afterwards, if R7 contains zero, jump to label TONI. R5 is then auto-incremented by 2. R7.19:16 = 0.
	<pre>SUB    @R5+,R7        ; Subtract table number from R7. R5 + 2 JZ     TONI           ; R7 = @R5 (before subtraction) ...    ; R7 &lt;&gt; @R5 (before subtraction)</pre>
<b>Example</b>	Byte CNT is subtracted from byte R12 points to. The address of CNT is within PC ± 32 K. The address R12 points to is in full memory range.
	<pre>SUB.B  CNT,0(R12)    ; Subtract CNT from @R12</pre>

<b>SUBC[.W]</b>	Subtract source word with carry from destination word
<b>SUBC.B</b>	Subtract source byte with carry from destination byte
<b>Syntax</b>	SUBC src ,dst or SUBC.W src ,dst SUBC.B src ,dst
<b>Operation</b>	(.not.src) + C + dst → dst or dst – (src – 1) + C → dst
<b>Description</b>	The source operand is subtracted from the destination operand. This is done by adding the 1s complement of the source + carry to the destination. The source operand is not affected, the result is written to the destination operand. Used for 32, 48, and 64-bit operands.
<b>Status Bits</b>	N: Set if result is negative (MSB = 1), reset if positive (MSB = 0) Z: Set if result is zero, reset otherwise C: Set if there is a carry from the MSB, reset otherwise V: Set if the subtraction of a negative source operand from a positive destination operand delivers a negative result, or if the subtraction of a positive source operand from a negative destination operand delivers a positive result, reset otherwise (no overflow)
<b>Mode Bits</b>	OSCOFF, CPUOFF, and GIE are not affected.
<b>Example</b>	A 16-bit constant 7654h is subtracted from R5 with the carry from the previous instruction. R5.19:16 = 0
	<pre>SUBC.W #7654h,R5 ; Subtract 7654h + C from R5</pre>
<b>Example</b>	A 48-bit number (3 words) pointed to by R5 (20-bit address) is subtracted from a 48-bit counter in RAM, pointed to by R7. R5 points to the next 48-bit number afterwards. The address R7 points to is in full memory range.
	<pre>SUB @R5+,0(R7) ; Subtract LSBs. R5 + 2 SUBC @R5+,2(R7) ; Subtract MIDs with C. R5 + 2 SUBC @R5+,4(R7) ; Subtract MSBs with C. R5 + 2</pre>
<b>Example</b>	Byte CNT is subtracted from the byte, R12 points to. The carry of the previous instruction is used. The address of CNT is in lower 64 K.
	<pre>SUBC.B &amp;CNT,0(R12) ; Subtract byte CNT from @R12</pre>

<b>SWPB</b>	Swap bytes
<b>Syntax</b>	SWPB dst
<b>Operation</b>	dst.15:8 ↔ dst.7:0
<b>Description</b>	The high and the low byte of the operand are exchanged. PC.19:16 bits are cleared in register mode.
<b>Status Bits</b>	Status bits are not affected
<b>Mode Bits</b>	OSCOFF, CPUOFF, and GIE are not affected.
<b>Example</b>	Exchange the bytes of RAM word EDE (lower 64 K)

```
MOV    #1234h, &EDE    ; 1234h -> EDE
SWPB  &EDE             ; 3412h -> EDE
```

Before SWPB



After SWPB

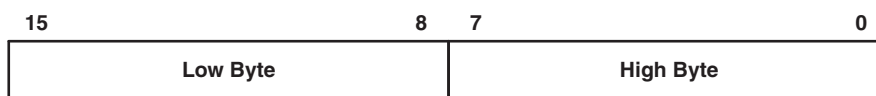
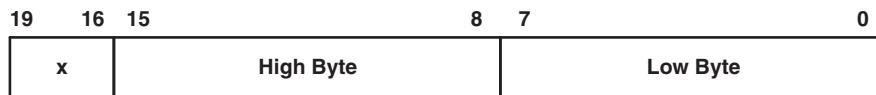


Figure 5-42. Swap Bytes in Memory

Before SWPB



After SWPB

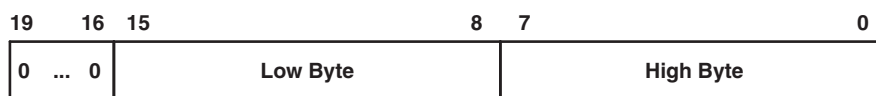


Figure 5-43. Swap Bytes in a Register

<b>SXT</b>	Extend sign
<b>Syntax</b>	SXT dst
<b>Operation</b>	dst.7 → dst.15:8, dst.7 → dst.19:8 (register mode)
<b>Description</b>	<p>Register mode: the sign of the low byte of the operand is extended into the bits Rdst.19:8.</p> <p>Rdst.7 = 0: Rdst.19:8 = 000h afterwards</p> <p>Rdst.7 = 1: Rdst.19:8 = FFFh afterwards</p> <p>Other modes: the sign of the low byte of the operand is extended into the high byte.</p> <p>dst.7 = 0: high byte = 00h afterwards</p> <p>dst.7 = 1: high byte = FFh afterwards</p>
<b>Status Bits</b>	<p>N: Set if result is negative, reset otherwise</p> <p>Z: Set if result is zero, reset otherwise</p> <p>C: Set if result is not zero, reset otherwise (C = .not.Z)</p> <p>V: Reset</p>
<b>Mode Bits</b>	OSCOFF, CPUOFF, and GIE are not affected.
<b>Example</b>	The signed 8-bit data in EDE (lower 64 K) is sign extended and added to the 16-bit signed data in R7.

```

MOV.B  &EDE,R5      ; EDE -> R5. 00XXh
SXT    R5           ; Sign extend low byte to R5.19:8
ADD    R5,R7        ; Add signed 16-bit values

```

<b>Example</b>	The signed 8-bit data in EDE (PC +32 K) is sign extended and added to the 20-bit data in R7.
----------------	--

```

MOV.B  EDE,R5      ; EDE -> R5. 00XXh
SXT    R5           ; Sign extend low byte to R5.19:8
ADDA   R5,R7        ; Add signed 20-bit values

```



<b>* TST[.W]</b>	Test destination
<b>* TST.B</b>	Test destination
<b>Syntax</b>	TST dst or TST.W dst TST.B dst
<b>Operation</b>	dst + 0FFFFh + 1 dst + 0FFh + 1
<b>Emulation</b>	CMP #0,dst CMP.B #0,dst
<b>Description</b>	The destination operand is compared with zero. The status bits are set according to the result. The destination is not affected.
<b>Status Bits</b>	N: Set if destination is negative, reset if positive Z: Set if destination contains zero, reset otherwise C: Set V: Reset
<b>Mode Bits</b>	OSCOFF, CPUOFF, and GIE are not affected.
<b>Example</b>	R7 is tested. If it is negative, continue at R7NEG; if it is positive but not zero, continue at R7POS.

```

TST    R7        ; Test R7
JN     R7NEG     ; R7 is negative
JZ     R7ZERO    ; R7 is zero
R7POS  .....    ; R7 is positive but not zero
R7NEG  .....    ; R7 is negative
R7ZERO .....    ; R7 is zero

```

<b>Example</b>	The low byte of R7 is tested. If it is negative, continue at R7NEG; if it is positive but not zero, continue at R7POS.
----------------	--

```

TST.B  R7        ; Test low byte of R7
JN     R7NEG     ; Low byte of R7 is negative
JZ     R7ZERO    ; Low byte of R7 is zero
R7POS  .....    ; Low byte of R7 is positive but not zero
R7NEG  .....    ; Low byte of R7 is negative
R7ZERO .....    ; Low byte of R7 is zero

```

<b>XOR[.W]</b>	Exclusive OR source word with destination word
<b>XOR.B</b>	Exclusive OR source byte with destination byte
<b>Syntax</b>	XOR src ,dst or XOR.W src ,dst XOR.B src ,dst
<b>Operation</b>	src .xor. dst → dst
<b>Description</b>	The source and destination operands are exclusively ORed. The result is placed into the destination. The source operand is not affected. The previous content of the destination is lost.
<b>Status Bits</b>	N: Set if result is negative (MSB = 1), reset if positive (MSB = 0) Z: Set if result is zero, reset otherwise C: Set if result is not zero, reset otherwise (C = .not. Z) V: Set if both operands are negative before execution, reset otherwise
<b>Mode Bits</b>	OSCOFF, CPUOFF, and GIE are not affected.
<b>Example</b>	Toggle bits in word CNTR (16-bit data) with information (bit = 1) in address-word TONI. Both operands are located in lower 64 K.
	<pre>XOR    &amp;TONI,&amp;CNTR    ; Toggle bits in CNTR</pre>
<b>Example</b>	A table word pointed to by R5 (20-bit address) is used to toggle bits in R6. R6.19:16 = 0.
	<pre>XOR    @R5,R6        ; Toggle bits in R6</pre>
<b>Example</b>	Reset to zero those bits in the low byte of R7 that are different from the bits in byte EDE. R7.19:8 = 0. The address of EDE is within PC ± 32 K.
	<pre>XOR.B  EDE,R7        ; Set different bits to 1 in R7. INV.B  R7             ; Invert low byte of R7, high byte is 0h</pre>

### **5.6.3 Extended Instructions**

The extended MSP430X instructions give the MSP430X CPU full access to its 20-bit address space. MSP430X instructions require an additional word of op-code called the extension word. All addresses, indexes, and immediate numbers have 20-bit values when preceded by the extension word. The MSP430X extended instructions are listed and described in the following pages.

<b>* ADCX.A</b>	Add carry to destination address-word
<b>* ADCX.[W]</b>	Add carry to destination word
<b>* ADCX.B</b>	Add carry to destination byte
<b>Syntax</b>	ADCX . A dst ADCX dst or ADCX . W dst ADCX . B dst
<b>Operation</b>	dst + C → dst
<b>Emulation</b>	ADDCX . A #0 , dst ADDCX #0 , dst ADDCX . B #0 , dst
<b>Description</b>	The carry bit (C) is added to the destination operand. The previous contents of the destination are lost.
<b>Status Bits</b>	N: Set if result is negative (MSB = 1), reset if positive (MSB = 0) Z: Set if result is zero, reset otherwise C: Set if there is a carry from the MSB of the result, reset otherwise V: Set if the result of two positive operands is negative, or if the result of two negative numbers is positive, reset otherwise
<b>Mode Bits</b>	OSCOFF, CPUOFF, and GIE are not affected.
<b>Example</b>	The 40-bit counter, pointed to by R12 and R13, is incremented.
	<pre>INCX.A @R12 ; Increment lower 20 bits ADCX.A @R13 ; Add carry to upper 20 bits</pre>

<b>ADDX.A</b>	Add source address-word to destination address-word
<b>ADDX.[W]</b>	Add source word to destination word
<b>ADDX.B</b>	Add source byte to destination byte
<b>Syntax</b>	ADDX.A src ,dst ADDX src ,dst or ADDX.W src ,dst ADDX.B src ,dst
<b>Operation</b>	src + dst → dst
<b>Description</b>	The source operand is added to the destination operand. The previous contents of the destination are lost. Both operands can be located in the full address space.
<b>Status Bits</b>	N: Set if result is negative (MSB = 1), reset if positive (MSB = 0) Z: Set if result is zero, reset otherwise C: Set if there is a carry from the MSB of the result, reset otherwise V: Set if the result of two positive operands is negative, or if the result of two negative numbers is positive, reset otherwise
<b>Mode Bits</b>	OSCOFF, CPUOFF, and GIE are not affected.
<b>Example</b>	Ten is added to the 20-bit pointer CNTR located in two words CNTR (LSBs) and CNTR+2 (MSBs).

```
ADDX.A    #10,CNTR    ; Add 10 to 20-bit pointer
```

<b>Example</b>	A table word (16-bit) pointed to by R5 (20-bit address) is added to R6. The jump to label TONI is performed on a carry.
----------------	---

```
ADDX.W    @R5,R6     ; Add table word to R6
JC        TONI       ; Jump if carry
...       ; No carry
```

<b>Example</b>	A table byte pointed to by R5 (20-bit address) is added to R6. The jump to label TONI is performed if no carry occurs. The table pointer is auto-incremented by 1.
----------------	--

```
ADDX.B    @R5+,R6    ; Add table byte to R6. R5 + 1. R6: 000xxh
JNC       TONI       ; Jump if no carry
...       ; Carry occurred
```

Note: Use ADDA for the following two cases for better code density and execution.

```
ADDX.A    Rsrc,Rdst
ADDX.A    #imm20,Rdst
```

<b>ADDCX.A</b>	Add source address-word and carry to destination address-word
<b>ADDCX.[W]</b>	Add source word and carry to destination word
<b>ADDCX.B</b>	Add source byte and carry to destination byte
<b>Syntax</b>	ADDCX.A src ,dst ADDCX src ,dst or ADDCX.W src ,dst ADDCX.B src ,dst
<b>Operation</b>	src + dst + C → dst
<b>Description</b>	The source operand and the carry bit C are added to the destination operand. The previous contents of the destination are lost. Both operands may be located in the full address space.
<b>Status Bits</b>	N: Set if result is negative (MSB = 1), reset if positive (MSB = 0) Z: Set if result is zero, reset otherwise C: Set if there is a carry from the MSB of the result, reset otherwise V: Set if the result of two positive operands is negative, or if the result of two negative numbers is positive, reset otherwise
<b>Mode Bits</b>	OSCOFF, CPUOFF, and GIE are not affected.
<b>Example</b>	Constant 15 and the carry of the previous instruction are added to the 20-bit counter CNTR located in two words.

```
ADDCX.A  #15,&CNTR    ; Add 15 + C to 20-bit CNTR
```

**Example** A table word pointed to by R5 (20-bit address) and the carry C are added to R6. The jump to label TONI is performed on a carry.

```
ADDCX.W  @R5,R6      ; Add table word + C to R6
JC       TONI        ; Jump if carry
...      ; No carry
```

**Example** A table byte pointed to by R5 (20-bit address) and the carry bit C are added to R6. The jump to label TONI is performed if no carry occurs. The table pointer is auto-incremented by 1.

```
ADDCX.B  @R5+,R6     ; Add table byte + C to R6. R5 + 1
JNC      TONI        ; Jump if no carry
...      ; Carry occurred
```

<b>ANDX.A</b>	Logical AND of source address-word with destination address-word
<b>ANDX.[W]</b>	Logical AND of source word with destination word
<b>ANDX.B</b>	Logical AND of source byte with destination byte
<b>Syntax</b>	ANDX.A src ,dst ANDX src ,dst or ANDX.W src ,dst ANDX.B src ,dst
<b>Operation</b>	src .and. dst → dst
<b>Description</b>	The source operand and the destination operand are logically ANDed. The result is placed into the destination. The source operand is not affected. Both operands may be located in the full address space.
<b>Status Bits</b>	N: Set if result is negative (MSB = 1), reset if positive (MSB = 0) Z: Set if result is zero, reset otherwise C: Set if the result is not zero, reset otherwise. C = (.not. Z) V: Reset
<b>Mode Bits</b>	OSCOFF, CPUOFF, and GIE are not affected.
<b>Example</b>	The bits set in R5 (20-bit data) are used as a mask (AAA55h) for the address-word TOM located in two words. If the result is zero, a branch is taken to label TONI.

```

MOVA    #AAA55h,R5      ; Load 20-bit mask to R5
ANDX.A  R5,TOM          ; TOM .and. R5 -> TOM
JZ      TONI            ; Jump if result 0
...     ; Result > 0

```

or shorter:

```

ANDX.A  #AAA55h,TOM     ; TOM .and. AAA55h -> TOM
JZ      TONI            ; Jump if result 0

```

<b>Example</b>	A table byte pointed to by R5 (20-bit address) is logically ANDed with R6. R6.19:8 = 0. The table pointer is auto-incremented by 1.
----------------	---

```

ANDX.B  @R5+,R6        ; AND table byte with R6. R5 + 1

```

<b>BICX.A</b>	Clear bits set in source address-word in destination address-word
<b>BICX.[W]</b>	Clear bits set in source word in destination word
<b>BICX.B</b>	Clear bits set in source byte in destination byte
<b>Syntax</b>	BICX.A src ,dst BICX src ,dst or BICX.W src ,dst BICX.B src ,dst
<b>Operation</b>	(.not. src) .and. dst → dst
<b>Description</b>	The inverted source operand and the destination operand are logically ANDed. The result is placed into the destination. The source operand is not affected. Both operands may be located in the full address space.
<b>Status Bits</b>	N: Not affected Z: Not affected C: Not affected V: Not affected
<b>Mode Bits</b>	OSCOFF, CPUOFF, and GIE are not affected.
<b>Example</b>	The bits 19:15 of R5 (20-bit data) are cleared.

```
BICX.A  #0F8000h,R5      ; Clear R5.19:15 bits
```

**Example** A table word pointed to by R5 (20-bit address) is used to clear bits in R7. R7.19:16 = 0.

```
BICX.W  @R5,R7          ; Clear bits in R7
```

**Example** A table byte pointed to by R5 (20-bit address) is used to clear bits in output Port1.

```
BICX.B  @R5,&P1OUT      ; Clear I/O port P1 bits
```



<b>BISX.A</b>	Set bits set in source address-word in destination address-word
<b>BISX.[W]</b>	Set bits set in source word in destination word
<b>BISX.B</b>	Set bits set in source byte in destination byte
<b>Syntax</b>	BISX.A src ,dst BISX src ,dst or BISX.W src ,dst BISX.B src ,dst
<b>Operation</b>	src .or. dst → dst
<b>Description</b>	The source operand and the destination operand are logically ORed. The result is placed into the destination. The source operand is not affected. Both operands may be located in the full address space.
<b>Status Bits</b>	N: Not affected Z: Not affected C: Not affected V: Not affected
<b>Mode Bits</b>	OSCOFF, CPUOFF, and GIE are not affected.
<b>Example</b>	Bits 16 and 15 of R5 (20-bit data) are set to one.

```
BISX.A    #018000h,R5    ; Set R5.16:15 bits
```

**Example** A table word pointed to by R5 (20-bit address) is used to set bits in R7.

```
BISX.W    @R5,R7        ; Set bits in R7
```

**Example** A table byte pointed to by R5 (20-bit address) is used to set bits in output Port1.

```
BISX.B    @R5,&P1OUT     ; Set I/O port P1 bits
```

<b>BITX.A</b>	Test bits set in source address-word in destination address-word
<b>BITX.[W]</b>	Test bits set in source word in destination word
<b>BITX.B</b>	Test bits set in source byte in destination byte
<b>Syntax</b>	BITX.A src ,dst BITX src ,dst or BITX.W src ,dst BITX.B src ,dst
<b>Operation</b>	src .and. dst → dst
<b>Description</b>	The source operand and the destination operand are logically ANDed. The result affects only the status bits. Both operands may be located in the full address space.
<b>Status Bits</b>	N: Set if result is negative (MSB = 1), reset if positive (MSB = 0) Z: Set if result is zero, reset otherwise C: Set if the result is not zero, reset otherwise. C = (.not. Z) V: Reset
<b>Mode Bits</b>	OSCOFF, CPUOFF, and GIE are not affected.
<b>Example</b>	Test if bit 16 or 15 of R5 (20-bit data) is set. Jump to label TONI if so.

```

BITX.A  #018000h,R5      ; Test R5.16:15 bits
JNZ     TONI             ; At least one bit is set
...                               ; Both are reset

```

<b>Example</b>	A table word pointed to by R5 (20-bit address) is used to test bits in R7. Jump to label TONI if at least one bit is set.
----------------	---

```

BITX.W  @R5,R7          ; Test bits in R7: C = .not.Z
JC      TONI            ; At least one is set
...                               ; Both are reset

```

<b>Example</b>	A table byte pointed to by R5 (20-bit address) is used to test bits in input Port1. Jump to label TONI if no bit is set. The next table byte is addressed.
----------------	--

```

BITX.B  @R5+,&P1IN      ; Test input P1 bits. R5 + 1
JNC     TONI            ; No corresponding input bit is set
...                               ; At least one bit is set

```

<b>* CLRX.A</b>	Clear destination address-word
<b>* CLRX.[W]</b>	Clear destination word
<b>* CLRX.B</b>	Clear destination byte
<b>Syntax</b>	CLRX .A dst CLRX dst or CLRX .W dst CLRX .B dst
<b>Operation</b>	0 → dst
<b>Emulation</b>	MOVX .A #0 ,dst MOVX #0 ,dst MOVX .B #0 ,dst
<b>Description</b>	The destination operand is cleared.
<b>Status Bits</b>	Status bits are not affected.
<b>Mode Bits</b>	OSCOFF, CPUOFF, and GIE are not affected.
<b>Example</b>	RAM address-word TONI is cleared.

```
CLRX.A  TONI  ; 0 -> TONI
```

<b>CMPX.A</b>	Compare source address-word and destination address-word
<b>CMPX.[W]</b>	Compare source word and destination word
<b>CMPX.B</b>	Compare source byte and destination byte
<b>Syntax</b>	CMPX.A src ,dst CMPX src ,dst or CMPX.W src ,dst CMPX.B src ,dst
<b>Operation</b>	(.not. src) + 1 + dst or dst – src
<b>Description</b>	The source operand is subtracted from the destination operand by adding the 1s complement of the source + 1 to the destination. The result affects only the status bits. Both operands may be located in the full address space.
<b>Status Bits</b>	N: Set if result is negative (src > dst), reset if positive (src ≤ dst) Z: Set if result is zero (src = dst), reset otherwise (src ≠ dst) C: Set if there is a carry from the MSB, reset otherwise V: Set if the subtraction of a negative source operand from a positive destination operand delivers a negative result, or if the subtraction of a positive source operand from a negative destination operand delivers a positive result, reset otherwise (no overflow)
<b>Mode Bits</b>	OSCOFF, CPUOFF, and GIE are not affected.
<b>Example</b>	Compare EDE with a 20-bit constant 18000h. Jump to label TONI if EDE equals the constant.

```

CMPX.A  #018000h,EDE      ; Compare EDE with 18000h
JEQ    TONI              ; EDE contains 18000h
...    ; Not equal

```

**Example** A table word pointed to by R5 (20-bit address) is compared with R7. Jump to label TONI if R7 contains a lower, signed, 16-bit number.

```

CMPX.W  @R5,R7          ; Compare two signed numbers
JL     TONI             ; R7 < @R5
...    ; R7 >= @R5

```

**Example** A table byte pointed to by R5 (20-bit address) is compared to the input in I/O Port1. Jump to label TONI if the values are equal. The next table byte is addressed.

```

CMPX.B  @R5+,&P1IN      ; Compare P1 bits with table. R5 + 1
JEQ    TONI            ; Equal contents
...    ; Not equal

```

Note: Use CMPA for the following two cases for better density and execution.

```

CMPA    Rsrc,Rdst
CMPA    #imm20,Rdst

```

<b>* DADCX.A</b>	Add carry decimally to destination address-word
<b>* DADCX.[W]</b>	Add carry decimally to destination word
<b>* DADCX.B</b>	Add carry decimally to destination byte
<b>Syntax</b>	DADCX . A dst DADCX dst or DADCX . W dst DADCX . B dst
<b>Operation</b>	dst + C → dst (decimally)
<b>Emulation</b>	DADDX . A #0 , dst DADDX #0 , dst DADDX . B #0 , dst
<b>Description</b>	The carry bit (C) is added decimally to the destination.
<b>Status Bits</b>	N: Set if MSB of result is 1 (address-word > 79999h, word > 7999h, byte > 79h), reset if MSB is 0 Z: Set if result is zero, reset otherwise C: Set if the BCD result is too large (address-word > 99999h, word > 9999h, byte > 99h), reset otherwise V: Undefined
<b>Mode Bits</b>	OSCOFF, CPUOFF, and GIE are not affected.
<b>Example</b>	The 40-bit counter, pointed to by R12 and R13, is incremented decimally.

```
DADDX.A  #1,0(R12)    ; Increment lower 20 bits
DADCX.A  0(R13)      ; Add carry to upper 20 bits
```

<b>DADDX.A</b>	Add source address-word and carry decimally to destination address-word
<b>DADDX.[W]</b>	Add source word and carry decimally to destination word
<b>DADDX.B</b>	Add source byte and carry decimally to destination byte
<b>Syntax</b>	DADDX.A src ,dst DADDX src ,dst or DADDX.W src ,dst DADDX.B src ,dst
<b>Operation</b>	src + dst + C → dst (decimally)
<b>Description</b>	The source operand and the destination operand are treated as two (.B), four (.W), or five (.A) binary coded decimals (BCD) with positive signs. The source operand and the carry bit C are added decimally to the destination operand. The source operand is not affected. The previous contents of the destination are lost. The result is not defined for non-BCD numbers. Both operands may be located in the full address space.
<b>Status Bits</b>	N: Set if MSB of result is 1 (address-word > 79999h, word > 7999h, byte > 79h), reset if MSB is 0. Z: Set if result is zero, reset otherwise C: Set if the BCD result is too large (address-word > 99999h, word > 9999h, byte > 99h), reset otherwise V: Undefined
<b>Mode Bits</b>	OSCOFF, CPUOFF, and GIE are not affected.
<b>Example</b>	Decimal 10 is added to the 20-bit BCD counter DECCNTR located in two words.

```
DADDX.A #10h,&DECCNTR ; Add 10 to 20-bit BCD counter
```

**Example** The eight-digit BCD number contained in 20-bit addresses BCD and BCD+2 is added decimally to an eight-digit BCD number contained in R4 and R5 (BCD+2 and R5 contain the MSDs).

```
CLRC ; Clear carry
DADDX.W BCD,R4 ; Add LSDs
DADDX.W BCD+2,R5 ; Add MSDs with carry
JC OVERFLOW ; Result >99999999: go to error routine
... ; Result ok
```

**Example** The two-digit BCD number contained in 20-bit address BCD is added decimally to a two-digit BCD number contained in R4.

```
CLRC ; Clear carry
DADDX.B BCD,R4 ; Add BCD to R4 decimally.
; R4: 000ddh
```

<b>* DECX.A</b>	Decrement destination address-word
<b>* DECX.[W]</b>	Decrement destination word
<b>* DECX.B</b>	Decrement destination byte
<b>Syntax</b>	DECX .A dst DECX dst or DECX .W dst DECX .B dst
<b>Operation</b>	dst – 1 → dst
<b>Emulation</b>	SUBX .A #1 ,dst SUBX #1 ,dst SUBX .B #1 ,dst
<b>Description</b>	The destination operand is decremented by one. The original contents are lost.
<b>Status Bits</b>	N: Set if result is negative, reset if positive Z: Set if dst contained 1, reset otherwise C: Reset if dst contained 0, set otherwise V: Set if an arithmetic overflow occurs, otherwise reset
<b>Mode Bits</b>	OSCOFF, CPUOFF, and GIE are not affected.
<b>Example</b>	RAM address-word TONI is decremented by one.

```
DECX.A  TONI      ; Decrement TONI
```

<b>* DECDX.A</b>	Double-decrement destination address-word
<b>* DECDX.[W]</b>	Double-decrement destination word
<b>* DECDX.B</b>	Double-decrement destination byte
<b>Syntax</b>	DECDX .A dst DECDX dst or DECDX .W dst DECDX .B dst
<b>Operation</b>	dst – 2 → dst
<b>Emulation</b>	SUBX .A #2 ,dst SUBX #2 ,dst SUBX .B #2 ,dst
<b>Description</b>	The destination operand is decremented by two. The original contents are lost.
<b>Status Bits</b>	N: Set if result is negative, reset if positive Z: Set if dst contained 2, reset otherwise C: Reset if dst contained 0 or 1, set otherwise V: Set if an arithmetic overflow occurs, otherwise reset
<b>Mode Bits</b>	OSCOFF, CPUOFF, and GIE are not affected.
<b>Example</b>	RAM address-word TONI is decremented by two.

```
DECDX.A TONI ; Decrement TONI
```



<b>* INCX.A</b>	Increment destination address-word
<b>* INCX.[W]</b>	Increment destination word
<b>* INCX.B</b>	Increment destination byte
<b>Syntax</b>	INCX .A dst INCX dst or INCX .W dst INCX .B dst
<b>Operation</b>	dst + 1 → dst
<b>Emulation</b>	ADDX .A #1 ,dst ADDX #1 ,dst ADDX .B #1 ,dst
<b>Description</b>	The destination operand is incremented by one. The original contents are lost.
<b>Status Bits</b>	N: Set if result is negative, reset if positive Z: Set if dst contained 0FFFFh, reset otherwise Set if dst contained 0FFFFh, reset otherwise Set if dst contained 0FFh, reset otherwise C: Set if dst contained 0FFFFh, reset otherwise Set if dst contained 0FFFFh, reset otherwise Set if dst contained 0FFh, reset otherwise V: Set if dst contained 07FFFh, reset otherwise Set if dst contained 07FFFh, reset otherwise Set if dst contained 07Fh, reset otherwise
<b>Mode Bits</b>	OSCOFF, CPUOFF, and GIE are not affected.
<b>Example</b>	RAM address-wordTONI is incremented by one.

```
INCX.A TONI ; Increment TONI (20-bits)
```

<b>* INCDX.A</b>	Double-increment destination address-word
<b>* INCDX.[W]</b>	Double-increment destination word
<b>* INCDX.B</b>	Double-increment destination byte
<b>Syntax</b>	INCDX .A dst INCDX dst or INCDX .W dst INCDX .B dst
<b>Operation</b>	dst + 2 → dst
<b>Emulation</b>	ADDX .A #2 ,dst ADDX #2 ,dst ADDX .B #2 ,dst
<b>Description</b>	The destination operand is incremented by two. The original contents are lost.
<b>Status Bits</b>	N: Set if result is negative, reset if positive Z: Set if dst contained 0FFFFFFh, reset otherwise Set if dst contained 0FFFEh, reset otherwise Set if dst contained 0FEh, reset otherwise C: Set if dst contained 0FFFFFFh or 0FFFFFFh, reset otherwise Set if dst contained 0FFFEh or 0FFFFh, reset otherwise Set if dst contained 0FEh or 0FFh, reset otherwise V: Set if dst contained 07FFFEh or 07FFFFh, reset otherwise Set if dst contained 07FFFEh or 07FFFh, reset otherwise Set if dst contained 07Eh or 07Fh, reset otherwise
<b>Mode Bits</b>	OSCOFF, CPUOFF, and GIE are not affected.
<b>Example</b>	RAM byte LEO is incremented by two; PC points to upper memory.

```
INCDX.B LEO ; Increment LEO by two
```

<b>* INVX.A</b>	Invert destination
<b>* INVX.[W]</b>	Invert destination
<b>* INVX.B</b>	Invert destination
<b>Syntax</b>	INVX.A dst INVX dst or INVX.W dst INVX.B dst
<b>Operation</b>	.NOT.dst → dst
<b>Emulation</b>	XORX.A #0FFFFFFh, dst XORX #0FFFFFFh, dst XORX.B #0FFh, dst
<b>Description</b>	The destination operand is inverted. The original contents are lost.
<b>Status Bits</b>	N: Set if result is negative, reset if positive Z: Set if dst contained 0FFFFFFh, reset otherwise Set if dst contained 0FFFFFFh, reset otherwise Set if dst contained 0FFh, reset otherwise C: Set if result is not zero, reset otherwise (= .NOT. Zero) V: Set if initial destination operand was negative, otherwise reset
<b>Mode Bits</b>	OSCOFF, CPUOFF, and GIE are not affected.
<b>Example</b>	20-bit content of R5 is negated (2s complement).

```

INVX.A  R5      ; Invert R5
INCX.A  R5      ; R5 is now negated

```

**Example** Content of memory byte LEO is negated. PC is pointing to upper memory.

```

INVX.B  LEO     ; Invert LEO
INCX.B  LEO     ; MEM(LEO) is negated

```

<b>MOVX.A</b>	Move source address-word to destination address-word
<b>MOVX.[W]</b>	Move source word to destination word
<b>MOVX.B</b>	Move source byte to destination byte
<b>Syntax</b>	MOVX.A src ,dst MOVX src ,dst or MOVX.W src ,dst MOVX.B src ,dst
<b>Operation</b>	src → dst
<b>Description</b>	The source operand is copied to the destination. The source operand is not affected. Both operands may be located in the full address space.
<b>Status Bits</b>	N: Not affected Z: Not affected C: Not affected V: Not affected
<b>Mode Bits</b>	OSCOFF, CPUOFF, and GIE are not affected.
<b>Example</b>	Move a 20-bit constant 18000h to absolute address-word EDE

```
MOVX.A    #018000h,&EDE          ; Move 18000h to EDE
```

**Example** The contents of table EDE (word data, 20-bit addresses) are copied to table TOM. The length of the table is 030h words.

```

MOVX.A    #EDE,R10                ; Prepare pointer (20-bit address)
Loop MOVX.W @R10+,TOM-EDE-2(R10) ; R10 points to both tables.
                                     ; R10+2
CMPA     #EDE+60h,R10            ; End of table reached?
JLO      Loop                    ; Not yet
...                                     ; Copy completed
```

**Example** The contents of table EDE (byte data, 20-bit addresses) are copied to table TOM. The length of the table is 020h bytes.

```

MOVX.A    #EDE,R10                ; Prepare pointer (20-bit)
MOV       #20h,R9                 ; Prepare counter
Loop MOVX.W @R10+,TOM-EDE-2(R10) ; R10 points to both tables.
                                     ; R10+1
DEC       R9                      ; Decrement counter
JNZ      Loop                    ; Not yet done
...                                     ; Copy completed
```

Ten of the 28 possible addressing combinations of the MOVX.A instruction can use the MOVA instruction. This saves two bytes and code cycles. Examples for the addressing combinations are:

MOVX.A	Rsrc,Rdst	MOVA	Rsrc,Rdst	; Reg/Reg
MOVX.A	#imm20,Rdst	MOVA	#imm20,Rdst	; Immediate/Reg
MOVX.A	&abs20,Rdst	MOVA	&abs20,Rdst	; Absolute/Reg
MOVX.A	@Rsrc,Rdst	MOVA	@Rsrc,Rdst	; Indirect/Reg
MOVX.A	@Rsrc+,Rdst	MOVA	@Rsrc+,Rdst	; Indirect,Auto/Reg
MOVX.A	Rsrc,&abs20	MOVA	Rsrc,&abs20	; Reg/Absolute

The next four replacements are possible only if 16-bit indexes are sufficient for the addressing:

MOVX.A	z20(Rsrc),Rdst	MOVA	z16(Rsrc),Rdst	; Indexed/Reg
MOVX.A	Rsrc,z20(Rdst)	MOVA	Rsrc,z16(Rdst)	; Reg/Indexed
MOVX.A	symb20,Rdst	MOVA	symb16,Rdst	; Symbolic/Reg
MOVX.A	Rsrc,symb20	MOVA	Rsrc,symb16	; Reg/Symbolic

<b>POPM.A</b>	Restore n CPU registers (20-bit data) from the stack	
<b>POPM.[W]</b>	Restore n CPU registers (16-bit data) from the stack	
<b>Syntax</b>	POPM.A #n, Rdst	1 ≤ n ≤ 16
	POPM.W #n, Rdst or POPM #n, Rdst	1 ≤ n ≤ 16
<b>Operation</b>	<p>POPM.A: Restore the register values from stack to the specified CPU registers. The SP is incremented by four for each register restored from stack. The 20-bit values from stack (two words per register) are restored to the registers.</p> <p>POPM.W: Restore the 16-bit register values from stack to the specified CPU registers. The SP is incremented by two for each register restored from stack. The 16-bit values from stack (one word per register) are restored to the CPU registers.</p> <p>Note : This instruction does not use the extension word.</p>	
<b>Description</b>	<p>POPM.A: The CPU registers pushed on the stack are moved to the extended CPU registers, starting with the CPU register (Rdst – n + 1). The SP is incremented by (n × 4) after the operation.</p> <p>POPM.W: The 16-bit registers pushed on the stack are moved back to the CPU registers, starting with CPU register (Rdst – n + 1). The SP is incremented by (n × 2) after the instruction. The MSBs (Rdst.19:16) of the restored CPU registers are cleared.</p>	
<b>Status Bits</b>	Status bits are not affected, except SR is included in the operation.	
<b>Mode Bits</b>	OSCOFF, CPUOFF, and GIE are not affected.	
<b>Example</b>	Restore the 20-bit registers R9, R10, R11, R12, R13 from the stack	
	<pre>POPM.A    #5,R13    ; Restore R9, R10, R11, R12, R13</pre>	
<b>Example</b>	Restore the 16-bit registers R9, R10, R11, R12, R13 from the stack.	
	<pre>POPM.W    #5,R13    ; Restore R9, R10, R11, R12, R13</pre>	

<b>PUSHM.A</b>	Save n CPU registers (20-bit data) on the stack	
<b>PUSHM.[W]</b>	Save n CPU registers (16-bit words) on the stack	
<b>Syntax</b>	PUSHM.A #n, Rdst	1 ≤ n ≤ 16
	PUSHM.W #n, Rdst or PUSHM #n, Rdst	1 ≤ n ≤ 16
<b>Operation</b>	<p>PUSHM.A: Save the 20-bit CPU register values on the stack. The SP is decremented by four for each register stored on the stack. The MSBs are stored first (higher address).</p> <p>PUSHM.W: Save the 16-bit CPU register values on the stack. The SP is decremented by two for each register stored on the stack.</p>	
<b>Description</b>	<p>PUSHM.A: The n CPU registers, starting with Rdst backwards, are stored on the stack. The SP is decremented by (n × 4) after the operation. The data (Rn.19:0) of the pushed CPU registers is not affected.</p> <p>PUSHM.W: The n registers, starting with Rdst backwards, are stored on the stack. The SP is decremented by (n × 2) after the operation. The data (Rn.19:0) of the pushed CPU registers is not affected.</p> <p>Note : This instruction does not use the extension word.</p>	
<b>Status Bits</b>	Status bits are not affected.	
<b>Mode Bits</b>	OSCOFF, CPUOFF, and GIE are not affected.	
<b>Example</b>	Save the five 20-bit registers R9, R10, R11, R12, R13 on the stack	
	<pre>PUSHM.A    #5,R13    ; Save R13, R12, R11, R10, R9</pre>	
<b>Example</b>	Save the five 16-bit registers R9, R10, R11, R12, R13 on the stack	
	<pre>PUSHM.W    #5,R13    ; Save R13, R12, R11, R10, R9</pre>	

<b>* POPX.A</b>	Restore single address-word from the stack
<b>* POPX.[W]</b>	Restore single word from the stack
<b>* POPX.B</b>	Restore single byte from the stack
<b>Syntax</b>	POPX.A dst POPX dst or POPX.W dst POPX.B dst
<b>Operation</b>	Restore the 8-/16-/20-bit value from the stack to the destination. 20-bit addresses are possible. The SP is incremented by two (byte and word operands) and by four (address-word operand).
<b>Emulation</b>	MOVX(.B,.A)@SP+,dst
<b>Description</b>	The item on TOS is written to the destination operand. Register mode, Indexed mode, Symbolic mode, and Absolute mode are possible. The SP is incremented by two or four.  Note: the SP is incremented by two also for byte operations.
<b>Status Bits</b>	Status bits are not affected.
<b>Mode Bits</b>	OSCOFF, CPUOFF, and GIE are not affected.
<b>Example</b>	Write the 16-bit value on TOS to the 20-bit address &EDE
	<pre>POPX.W    &amp;EDE    ; Write word to address EDE</pre>
<b>Example</b>	Write the 20-bit value on TOS to R9
	<pre>POPX.A    R9      ; Write address-word to R9</pre>



<b>PUSHX.A</b>	Save single address-word to the stack
<b>PUSHX.[W]</b>	Save single word to the stack
<b>PUSHX.B</b>	Save single byte to the stack
<b>Syntax</b>	<p>PUSHX.A src</p> <p>PUSHX src OR PUSHX.W src</p> <p>PUSHX.B src</p>
<b>Operation</b>	Save the 8-/16-/20-bit value of the source operand on the TOS. 20-bit addresses are possible. The SP is decremented by two (byte and word operands) or by four (address-word operand) before the write operation.
<b>Description</b>	<p>The SP is decremented by two (byte and word operands) or by four (address-word operand). Then the source operand is written to the TOS. All seven addressing modes are possible for the source operand.</p> <p>Note : This instruction does not use the extension word.</p>
<b>Status Bits</b>	Status bits are not affected.
<b>Mode Bits</b>	OSCOFF, CPUOFF, and GIE are not affected.
<b>Example</b>	Save the byte at the 20-bit address &EDE on the stack

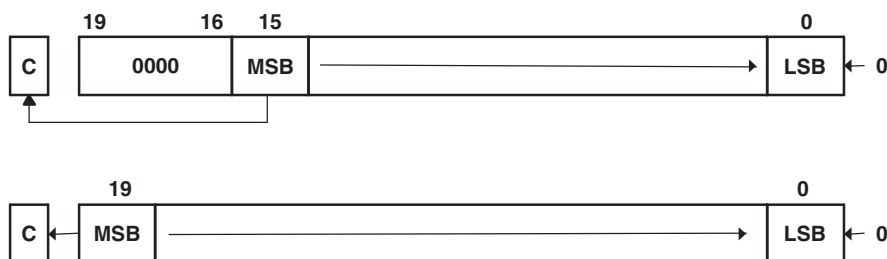
```
PUSHX.B    &EDE    ; Save byte at address EDE
```

**Example** Save the 20-bit value in R9 on the stack.

```
PUSHX.A    R9      ; Save address-word in R9
```

<b>RLAM.A</b>	Rotate left arithmetically the 20-bit CPU register content
<b>RLAM.[W]</b>	Rotate left arithmetically the 16-bit CPU register content
<b>Syntax</b>	$RLAM.A \ #n, Rdst \qquad 1 \leq n \leq 4$ $RLAM.W \ #n, Rdst \text{ OR } RLAM \ #n, Rdst \qquad 1 \leq n \leq 4$
<b>Operation</b>	$C \leftarrow MSB \leftarrow MSB-1 \dots LSB+1 \leftarrow LSB \leftarrow 0$
<b>Description</b>	<p>The destination operand is shifted arithmetically left one, two, three, or four positions as shown in <a href="#">Figure 5-44</a>. RLAM works as a multiplication (signed and unsigned) with 2, 4, 8, or 16. The word instruction RLAM.W clears the bits Rdst.19:16.</p> <p>Note : This instruction does not use the extension word.</p>
<b>Status Bits</b>	<p>N: Set if result is negative  .A: Rdst.19 = 1, reset if Rdst.19 = 0  .W: Rdst.15 = 1, reset if Rdst.15 = 0</p> <p>Z: Set if result is zero, reset otherwise</p> <p>C: Loaded from the MSB (n = 1), MSB-1 (n = 2), MSB-2 (n = 3), MSB-3 (n = 4)</p> <p>V: Undefined</p>
<b>Mode Bits</b>	OSCOFF, CPUOFF, and GIE are not affected.
<b>Example</b>	The 20-bit operand in R5 is shifted left by three positions. It operates equal to an arithmetic multiplication by 8.

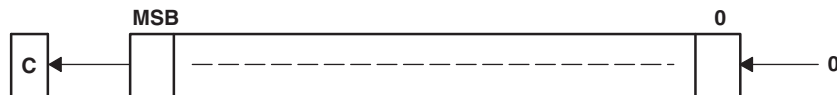
```
RLAM.A #3,R5 ; R5 = R5 x 8
```



**Figure 5-44. Rotate Left Arithmetically—RLAM.[W] and RLAM.A**

<b>* RLAX.A</b>	Rotate left arithmetically address-word
<b>* RLAX.[W]</b>	Rotate left arithmetically word
<b>* RLAX.B</b>	Rotate left arithmetically byte
<b>Syntax</b>	RLAX .A dst RLAX dst OR RLAX .W dst RLAX .B dst
<b>Operation</b>	$C \leftarrow MSB \leftarrow MSB-1 \dots LSB+1 \leftarrow LSB \leftarrow 0$
<b>Emulation</b>	ADDX .A dst ,dst ADDX dst ,dst ADDX .B dst ,dst
<b>Description</b>	The destination operand is shifted left one position as shown in <a href="#">Figure 5-45</a> . The MSB is shifted into the carry bit (C) and the LSB is filled with 0. The RLAX instruction acts as a signed multiplication by 2.
<b>Status Bits</b>	N: Set if result is negative, reset if positive Z: Set if result is zero, reset otherwise C: Loaded from the MSB V: Set if an arithmetic overflow occurs: the initial value is $040000h \leq dst < 0C0000h$ ; reset otherwise Set if an arithmetic overflow occurs: the initial value is $04000h \leq dst < 0C000h$ ; reset otherwise Set if an arithmetic overflow occurs: the initial value is $040h \leq dst < 0C0h$ ; reset otherwise
<b>Mode Bits</b>	OSCOFF, CPUOFF, and GIE are not affected.
<b>Example</b>	The 20-bit value in R7 is multiplied by 2

RLAX.A R7 ; Shift left R7 (20-bit)



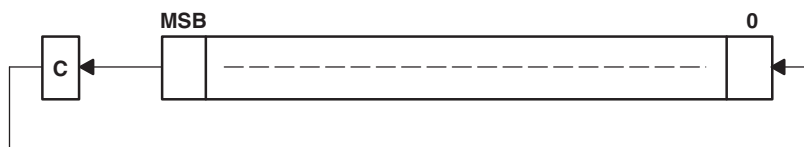
**Figure 5-45. Destination Operand-Arithmetic Shift Left**

<b>* RLCX.A</b>	Rotate left through carry address-word
<b>* RLCX.[W]</b>	Rotate left through carry word
<b>* RLCX.B</b>	Rotate left through carry byte
<b>Syntax</b>	RLCX.A dst RLCX dst or RLCX.W dst RLCX.B dst
<b>Operation</b>	$C \leftarrow \text{MSB} \leftarrow \text{MSB}-1 \dots \text{LSB}+1 \leftarrow \text{LSB} \leftarrow C$
<b>Emulation</b>	ADDCX.A dst, dst ADDCX dst, dst ADDCX.B dst, dst
<b>Description</b>	The destination operand is shifted left one position as shown in Figure 5-46. The carry bit (C) is shifted into the LSB and the MSB is shifted into the carry bit (C).
<b>Status Bits</b>	N: Set if result is negative, reset if positive Z: Set if result is zero, reset otherwise C: Loaded from the MSB V: Set if an arithmetic overflow occurs: the initial value is $040000\text{h} \leq \text{dst} < 0\text{C}0000\text{h}$ ; reset otherwise Set if an arithmetic overflow occurs: the initial value is $04000\text{h} \leq \text{dst} < 0\text{C}000\text{h}$ ; reset otherwise Set if an arithmetic overflow occurs: the initial value is $040\text{h} \leq \text{dst} < 0\text{C}0\text{h}$ ; reset otherwise
<b>Mode Bits</b>	OSCOFF, CPUOFF, and GIE are not affected.
<b>Example</b>	The 20-bit value in R5 is shifted left one position.

```
RLCX.A  R5      ; (R5 x 2) + C -> R5
```

**Example** The RAM byte LEO is shifted left one position. PC is pointing to upper memory.

```
RLCX.B  LEO     ; RAM(LEO) x 2 + C -> RAM(LEO)
```



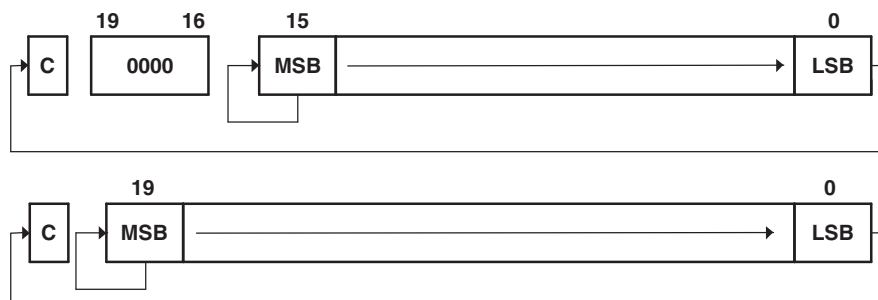
**Figure 5-46. Destination Operand-Carry Left Shift**

<b>RRAM.A</b>	Rotate right arithmetically the 20-bit CPU register content	
<b>RRAM.[W]</b>	Rotate right arithmetically the 16-bit CPU register content	
<b>Syntax</b>	RRAM.A #n, Rdst	$1 \leq n \leq 4$
	RRAM.W #n, Rdst OR RRAM #n, Rdst	$1 \leq n \leq 4$
<b>Operation</b>	MSB $\rightarrow$ MSB $\rightarrow$ MSB-1 ... LSB+1 $\rightarrow$ LSB $\rightarrow$ C	
<b>Description</b>	The destination operand is shifted right arithmetically by one, two, three, or four bit positions as shown in <a href="#">Figure 5-47</a> . The MSB retains its value (sign). RRAM operates equal to a signed division by 2/4/8/16. The MSB is retained and shifted into MSB-1. The LSB+1 is shifted into the LSB, and the LSB is shifted into the carry bit C. The word instruction RRAM.W clears the bits Rdst.19:16.	
	Note : This instruction does not use the extension word.	
<b>Status Bits</b>	N: Set if result is negative .A: Rdst.19 = 1, reset if Rdst.19 = 0 .W: Rdst.15 = 1, reset if Rdst.15 = 0 Z: Set if result is zero, reset otherwise C: Loaded from the LSB (n = 1), LSB+1 (n = 2), LSB+2 (n = 3), or LSB+3 (n = 4) V: Reset	
<b>Mode Bits</b>	OSCOFF, CPUOFF, and GIE are not affected.	
<b>Example</b>	The signed 20-bit number in R5 is shifted arithmetically right two positions.	

```
RRAM.A    #2, R5           ; R5/4 -> R5
```

**Example** The signed 20-bit value in R15 is multiplied by 0.75.  $(0.5 + 0.25) \times R15$ .

```
PUSHM.A  #1, R15         ; Save extended R15 on stack
RRAM.A   #1, R15         ; R15 y 0.5 -> R15
ADDX.A   @SP+, R15       ; R15 y 0.5 + R15 = 1.5 y R15 -> R15
RRAM.A   #1, R15         ; (1.5 y R15) y 0.5 = 0.75 y R15 -> R15
```



**Figure 5-47. Rotate Right Arithmetically RRAM[W] and RRAM.A**

<b>RRAX.A</b>	Rotate right arithmetically the 20-bit operand
<b>RRAX.[W]</b>	Rotate right arithmetically the 16-bit operand
<b>RRAX.B</b>	Rotate right arithmetically the 8-bit operand
<b>Syntax</b>	<pre>RRAX .A Rdst RRAX .W Rdst RRAX Rdst RRAX .B Rdst  RRAX .A dst RRAX dst or RRAX .W dst RRAX .B dst</pre>
<b>Operation</b>	MSB → MSB → MSB−1 ... LSB+1 → LSB → C
<b>Description</b>	<p>Register mode for the destination: the destination operand is shifted right by one bit position as shown in <a href="#">Figure 5-48</a>. The MSB retains its value (sign). The word instruction RRAX.W clears the bits Rdst.19:16, the byte instruction RRAX.B clears the bits Rdst.19:8. The MSB retains its value (sign), the LSB is shifted into the carry bit. RRAX here operates equal to a signed division by 2.</p> <p>All other modes for the destination: the destination operand is shifted right arithmetically by one bit position as shown in <a href="#">Figure 5-49</a>. The MSB retains its value (sign), the LSB is shifted into the carry bit. RRAX here operates equal to a signed division by 2. All addressing modes, with the exception of the Immediate mode, are possible in the full memory.</p>
<b>Status Bits</b>	<p>N: Set if result is negative, reset if positive  .A: dst.19 = 1, reset if dst.19 = 0  .W: dst.15 = 1, reset if dst.15 = 0  .B: dst.7 = 1, reset if dst.7 = 0</p> <p>Z: Set if result is zero, reset otherwise</p> <p>C: Loaded from the LSB</p> <p>V: Reset</p>
<b>Mode Bits</b>	OSCOFF, CPUOFF, and GIE are not affected.
<b>Example</b>	The signed 20-bit number in R5 is shifted arithmetically right four positions.
	<pre>RPT      #4 RRAX .A  R5      ; R5/16 -&gt; R5</pre>
<b>Example</b>	The signed 8-bit value in EDE is multiplied by 0.5.

RRAX.B &EDE ; EDE/2 -> EDE

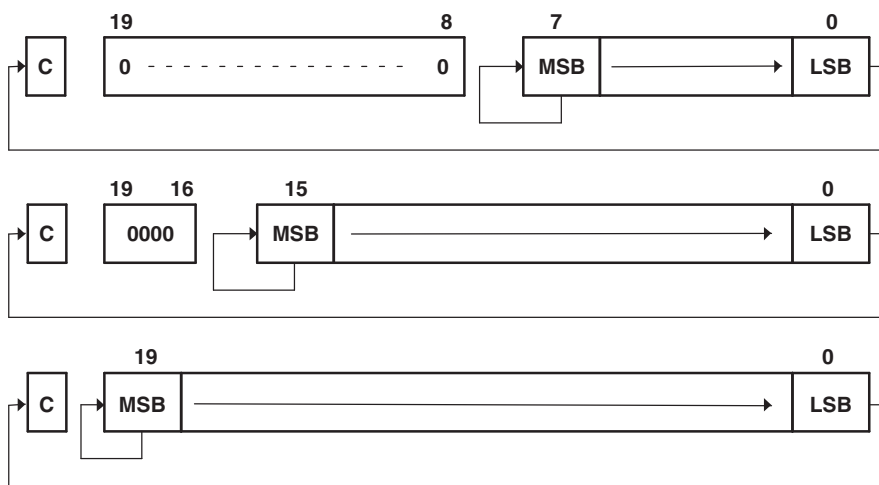


Figure 5-48. Rotate Right Arithmetically RRAX(.B,.A) – Register Mode

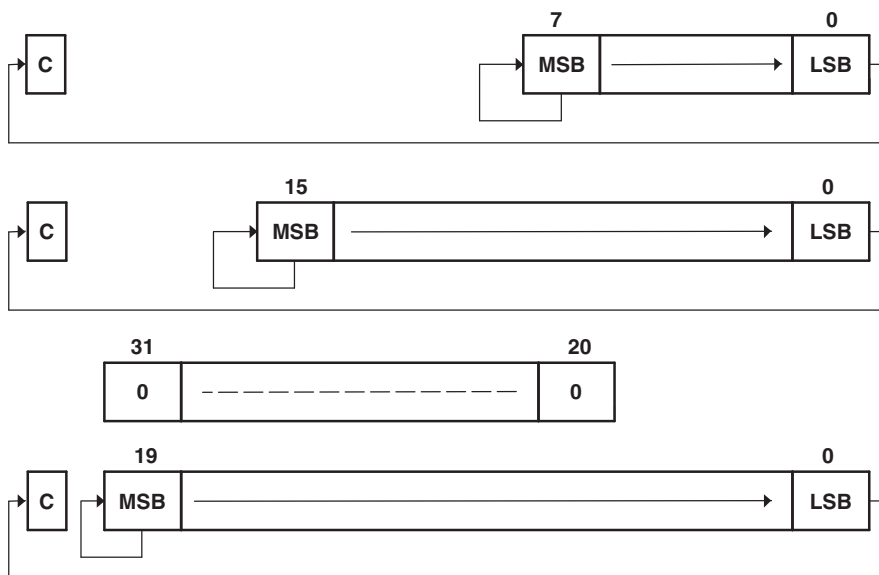


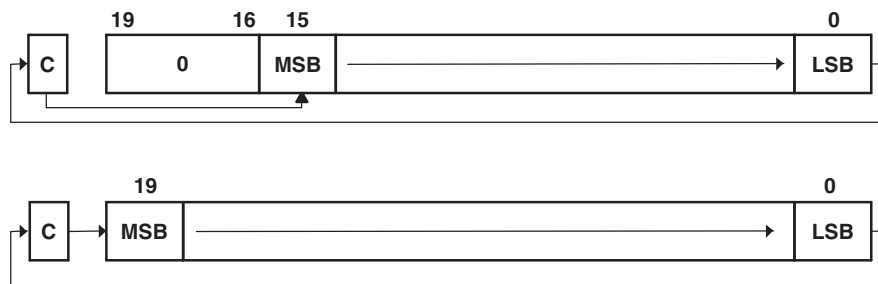
Figure 5-49. Rotate Right Arithmetically RRAX(.B,.A) – Non-Register Mode

<b>RRCM.A</b>	Rotate right through carry the 20-bit CPU register content
<b>RRCM.[W]</b>	Rotate right through carry the 16-bit CPU register content
<b>Syntax</b>	RRCM.A #n, Rdst <span style="float: right;"><math>1 \leq n \leq 4</math></span> RRCM.W #n, Rdst Or RRCM #n, Rdst <span style="float: right;"><math>1 \leq n \leq 4</math></span>
<b>Operation</b>	C → MSB → MSB-1 ... LSB+1 → LSB → C
<b>Description</b>	The destination operand is shifted right by one, two, three, or four bit positions as shown in <a href="#">Figure 5-50</a> . The carry bit C is shifted into the MSB, the LSB is shifted into the carry bit. The word instruction RRCM.W clears the bits Rdst.19:16. Note : This instruction does not use the extension word.
<b>Status Bits</b>	N: Set if result is negative .A: Rdst.19 = 1, reset if Rdst.19 = 0 .W: Rdst.15 = 1, reset if Rdst.15 = 0 Z: Set if result is zero, reset otherwise C: Loaded from the LSB (n = 1), LSB+1 (n = 2), LSB+2 (n = 3), or LSB+3 (n = 4) V: Reset
<b>Mode Bits</b>	OSCOFF, CPUOFF, and GIE are not affected.
<b>Example</b>	The address-word in R5 is shifted right by three positions. The MSB-2 is loaded with 1.

```
SETC                ; Prepare carry for MSB-2
RRCM.A #3,R5       ; R5 = R5 3 + 20000h
```

**Example** The word in R6 is shifted right by two positions. The MSB is loaded with the LSB. The MSB-1 is loaded with the contents of the carry flag.

```
RRCM.W #2,R6      ; R6 = R6 2. R6.19:16 = 0
```



**Figure 5-50. Rotate Right Through Carry RRCM.[W] and RRCM.A**



<b>RRCX.A</b>	Rotate right through carry the 20-bit operand
<b>RRCX.[W]</b>	Rotate right through carry the 16-bit operand
<b>RRCX.B</b>	Rotate right through carry the 8-bit operand
<b>Syntax</b>	RRCX.A Rdst RRCX.W Rdst RRCX Rdst RRCX.B Rdst  RRCX.A dst RRCX dst or RRCX.W dst RRCX.B dst
<b>Operation</b>	$C \rightarrow \text{MSB} \rightarrow \text{MSB}-1 \dots \text{LSB}+1 \rightarrow \text{LSB} \rightarrow C$
<b>Description</b>	Register mode for the destination: the destination operand is shifted right by one bit position as shown in <a href="#">Figure 5-51</a> . The word instruction RRCX.W clears the bits Rdst.19:16, the byte instruction RRCX.B clears the bits Rdst.19:8. The carry bit C is shifted into the MSB, the LSB is shifted into the carry bit. All other modes for the destination: the destination operand is shifted right by one bit position as shown in <a href="#">Figure 5-52</a> . The carry bit C is shifted into the MSB, the LSB is shifted into the carry bit. All addressing modes, with the exception of the Immediate mode, are possible in the full memory.
<b>Status Bits</b>	N: Set if result is negative .A: dst.19 = 1, reset if dst.19 = 0 .W: dst.15 = 1, reset if dst.15 = 0 .B: dst.7 = 1, reset if dst.7 = 0 Z: Set if result is zero, reset otherwise C: Loaded from the LSB V: Reset
<b>Mode Bits</b>	OSCOFF, CPUOFF, and GIE are not affected.
<b>Example</b>	The 20-bit operand at address EDE is shifted right by one position. The MSB is loaded with 1.
	<pre>                 SETC                ; Prepare carry for MSB                 RRCX.A  EDE    ; EDE = EDE 1 + 80000h             </pre>
<b>Example</b>	The word in R6 is shifted right by 12 positions.

```
RPT      #12
RRCX.W  R6      ; R6 = R6  12. R6.19:16 = 0
```

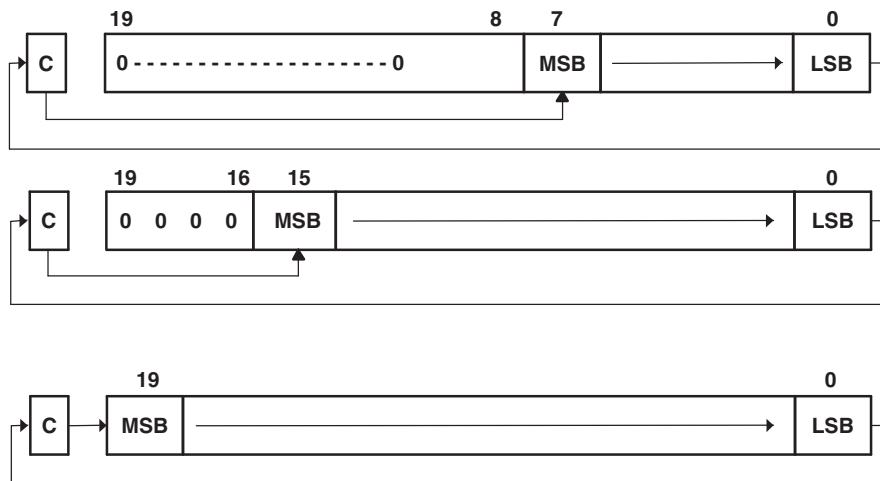


Figure 5-51. Rotate Right Through Carry RRCX(.B,.A) – Register Mode

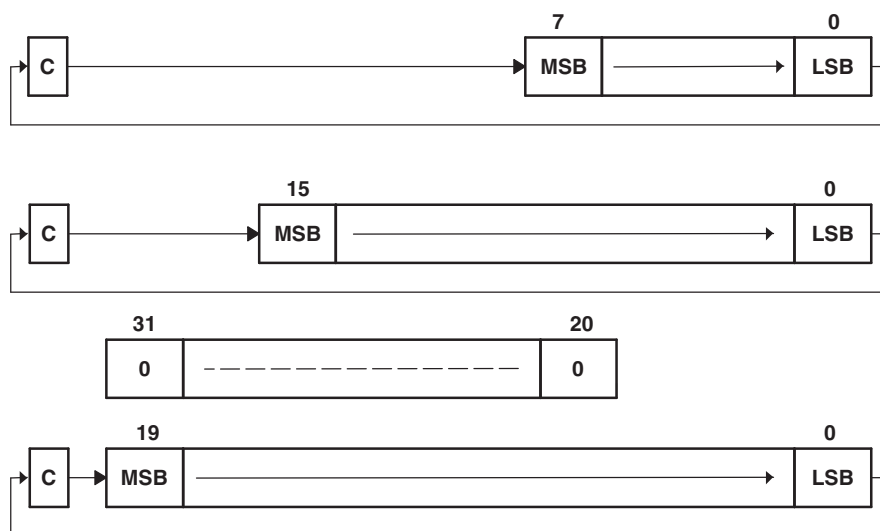


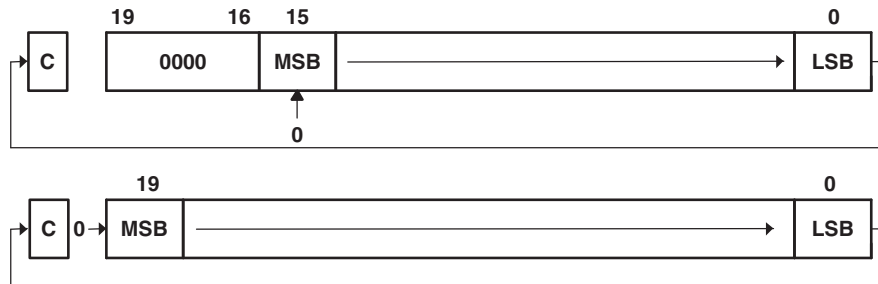
Figure 5-52. Rotate Right Through Carry RRCX(.B,.A) – Non-Register Mode

<b>RRUM.A</b>	Rotate right through carry the 20-bit CPU register content	
<b>RRUM.[W]</b>	Rotate right through carry the 16-bit CPU register content	
<b>Syntax</b>	RRUM.A #n, Rdst	$1 \leq n \leq 4$
	RRUM.W #n, Rdst Or RRUM #n, Rdst	$1 \leq n \leq 4$
<b>Operation</b>	0 → MSB → MSB-1 ... LSB+1 → LSB → C	
<b>Description</b>	The destination operand is shifted right by one, two, three, or four bit positions as shown in <a href="#">Figure 5-53</a> . Zero is shifted into the MSB, the LSB is shifted into the carry bit. RRUM works like an unsigned division by 2, 4, 8, or 16. The word instruction RRUM.W clears the bits Rdst.19:16.	
	Note : This instruction does not use the extension word.	
<b>Status Bits</b>	N: Set if result is negative .A: Rdst.19 = 1, reset if Rdst.19 = 0 .W: Rdst.15 = 1, reset if Rdst.15 = 0 Z: Set if result is zero, reset otherwise C: Loaded from the LSB (n = 1), LSB+1 (n = 2), LSB+2 (n = 3), or LSB+3 (n = 4) V: Reset	
<b>Mode Bits</b>	OSCOFF, CPUOFF, and GIE are not affected.	
<b>Example</b>	The unsigned address-word in R5 is divided by 16.	

```
RRUM.A #4,R5 ; R5 = R5 / 16
```

**Example** The word in R6 is shifted right by one bit. The MSB R6.15 is loaded with 0.

```
RRUM.W #1,R6 ; R6 = R6 / 2. R6.19:15 = 0
```



**Figure 5-53. Rotate Right Unsigned RRUM[.W] and RRUM.A**

**RRUX.A** Shift right unsigned the 20-bit CPU register content

**RRUX.[W]** Shift right unsigned the 16-bit CPU register content

**RRUX.B** Shift right unsigned the 8-bit CPU register content

**Syntax** RRUX.A Rdst

RRUX.W Rdst

RRUX Rdst

RRUX.B Rdst

**Operation** C=0 → MSB → MSB-1 ... LSB+1 → LSB → C

**Description** RRUX is valid for register mode only: the destination operand is shifted right by one bit position as shown in [Figure 5-54](#). The word instruction RRUX.W clears the bits Rdst.19:16. The byte instruction RRUX.B clears the bits Rdst.19:8. Zero is shifted into the MSB, the LSB is shifted into the carry bit.

**Status Bits**

- N: Set if result is negative
  - .A: dst.19 = 1, reset if dst.19 = 0
  - .W: dst.15 = 1, reset if dst.15 = 0
  - .B: dst.7 = 1, reset if dst.7 = 0
- Z: Set if result is zero, reset otherwise
- C: Loaded from the LSB
- V: Reset

**Mode Bits** OSCOFF, CPUOFF, and GIE are not affected.

**Example** The word in R6 is shifted right by 12 positions.

```
RPT      #12
RRUX.W  R6      ; R6 = R6  12. R6.19:16 = 0
```

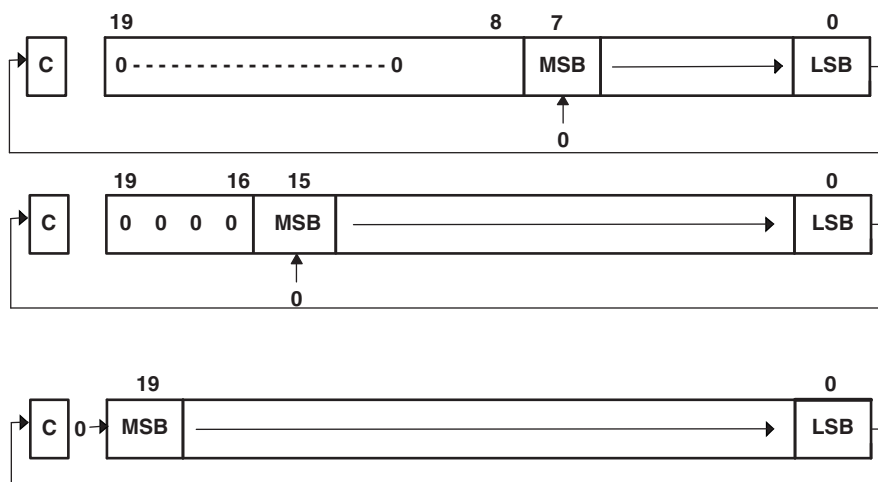


Figure 5-54. Rotate Right Unsigned RRUX(.B,.A) – Register Mode

<b>* SBCX.A</b>	Subtract borrow (.NOT. carry) from destination address-word
<b>* SBCX.[W]</b>	Subtract borrow (.NOT. carry) from destination word
<b>* SBCX.B</b>	Subtract borrow (.NOT. carry) from destination byte
<b>Syntax</b>	SBCX .A dst SBCX dst or SBCX .W dst SBCX .B dst
<b>Operation</b>	dst + 0FFFFFFh + C → dst dst + 0FFFFFFh + C → dst dst + 0FFh + C → dst
<b>Emulation</b>	SBCX .A #0 ,dst SBCX #0 ,dst SBCX .B #0 ,dst
<b>Description</b>	The carry bit (C) is added to the destination operand minus one. The previous contents of the destination are lost.
<b>Status Bits</b>	N: Set if result is negative, reset if positive Z: Set if result is zero, reset otherwise C: Set if there is a carry from the MSB of the result, reset otherwise Set to 1 if no borrow, reset if borrow V: Set if an arithmetic overflow occurs, reset otherwise
<b>Mode Bits</b>	OSCOFF, CPUOFF, and GIE are not affected.
<b>Example</b>	The 8-bit counter pointed to by R13 is subtracted from a 16-bit counter pointed to by R12.

```

SUBX.B    @R13,0(R12)    ; Subtract LSDs
SBCX.B    1(R12)        ; Subtract carry from MSD
    
```

---

**Note: Borrow implementation**

The borrow is treated as a .NOT. carry:

<b>Borrow</b>	<b>Carry Bit</b>
Yes	0
No	1

---

<b>SUBX.A</b>	Subtract source address-word from destination address-word
<b>SUBX.[W]</b>	Subtract source word from destination word
<b>SUBX.B</b>	Subtract source byte from destination byte
<b>Syntax</b>	<p>SUBX.A src ,dst</p> <p>SUBX src ,dst or SUBX.W src ,dst</p> <p>SUBX.B src ,dst</p>
<b>Operation</b>	$(\text{not. src}) + 1 + \text{dst} \rightarrow \text{dst}$ or $\text{dst} - \text{src} \rightarrow \text{dst}$
<b>Description</b>	The source operand is subtracted from the destination operand. This is done by adding the 1s complement of the source + 1 to the destination. The source operand is not affected. The result is written to the destination operand. Both operands may be located in the full address space.
<b>Status Bits</b>	<p>N: Set if result is negative (<math>\text{src} &gt; \text{dst}</math>), reset if positive (<math>\text{src} \leq \text{dst}</math>)</p> <p>Z: Set if result is zero (<math>\text{src} = \text{dst}</math>), reset otherwise (<math>\text{src} \neq \text{dst}</math>)</p> <p>C: Set if there is a carry from the MSB, reset otherwise</p> <p>V: Set if the subtraction of a negative source operand from a positive destination operand delivers a negative result, or if the subtraction of a positive source operand from a negative destination operand delivers a positive result, reset otherwise (no overflow)</p>
<b>Mode Bits</b>	OSCOFF, CPUOFF, and GIE are not affected.
<b>Example</b>	A 20-bit constant 87654h is subtracted from EDE (LSBs) and EDE+2 (MSBs).

```
SUBX.A    #87654h,EDE      ; Subtract 87654h from EDE+2|EDE
```

<b>Example</b>	A table word pointed to by R5 (20-bit address) is subtracted from R7. Jump to label TONI if R7 contains zero after the instruction. R5 is auto-incremented by two. R7.19:16 = 0.
----------------	--

```
SUBX.W    @R5+,R7        ; Subtract table number from R7. R5 + 2
JZ        TONI           ; R7 = @R5 (before subtraction)
...       ; R7 <> @R5 (before subtraction)
```

<b>Example</b>	Byte CNT is subtracted from the byte R12 points to in the full address space. Address of CNT is within $\text{PC} \pm 512 \text{ K}$ .
----------------	--

```
SUBX.B    CNT,0(R12)     ; Subtract CNT from @R12
```

Note: Use SUBA for the following two cases for better density and execution.

```
SUBX.A    Rsrc,Rdst
SUBX.A    #imm20,Rdst
```

<b>SUBCX.A</b>	Subtract source address-word with carry from destination address-word
<b>SUBCX.[W]</b>	Subtract source word with carry from destination word
<b>SUBCX.B</b>	Subtract source byte with carry from destination byte
<b>Syntax</b>	SUBCX.A src ,dst SUBCX src ,dst or SUBCX.W src ,dst SUBCX.B src ,dst
<b>Operation</b>	$(.not. src) + C + dst \rightarrow dst$ or $dst - (src - 1) + C \rightarrow dst$
<b>Description</b>	The source operand is subtracted from the destination operand. This is made by adding the 1s complement of the source + carry to the destination. The source operand is not affected, the result is written to the destination operand. Both operands may be located in the full address space.
<b>Status Bits</b>	N: Set if result is negative (MSB = 1), reset if positive (MSB = 0) Z: Set if result is zero, reset otherwise C: Set if there is a carry from the MSB, reset otherwise V: Set if the subtraction of a negative source operand from a positive destination operand delivers a negative result, or if the subtraction of a positive source operand from a negative destination operand delivers a positive result, reset otherwise (no overflow).
<b>Mode Bits</b>	OSCOFF, CPUOFF, and GIE are not affected.
<b>Example</b>	A 20-bit constant 87654h is subtracted from R5 with the carry from the previous instruction.

```
SUBCX.A #87654h,R5 ; Subtract 87654h + C from R5
```

<b>Example</b>	A 48-bit number (3 words) pointed to by R5 (20-bit address) is subtracted from a 48-bit counter in RAM, pointed to by R7. R5 auto-increments to point to the next 48-bit number.
----------------	--

```
SUBX.W @R5+,0(R7) ; Subtract LSBs. R5 + 2
SUBCX.W @R5+,2(R7) ; Subtract MIDs with C. R5 + 2
SUBCX.W @R5+,4(R7) ; Subtract MSBs with C. R5 + 2
```

<b>Example</b>	Byte CNT is subtracted from the byte R12 points to. The carry of the previous instruction is used. 20-bit addresses.
----------------	--

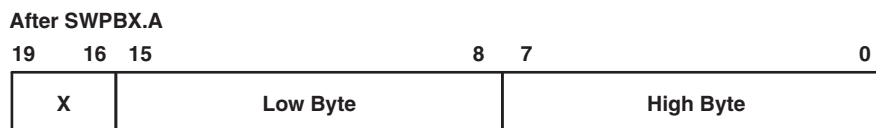
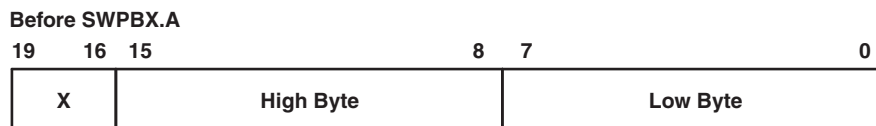
```
SUBCX.B &CNT,0(R12) ; Subtract byte CNT from @R12
```

<b>SWPBX.A</b>	Swap bytes of lower word
<b>SWPBX.[W]</b>	Swap bytes of word
<b>Syntax</b>	SWPBX .A dst SWPBX dst or SWPBX .W dst
<b>Operation</b>	dst.15:8 ↔ dst.7:0
<b>Description</b>	Register mode: Rn.15:8 are swapped with Rn.7:0. When the .A extension is used, Rn.19:16 are unchanged. When the .W extension is used, Rn.19:16 are cleared. Other modes: When the .A extension is used, bits 31:20 of the destination address are cleared, bits 19:16 are left unchanged, and bits 15:8 are swapped with bits 7:0. When the .W extension is used, bits 15:8 are swapped with bits 7:0 of the addressed word.
<b>Status Bits</b>	Status bits are not affected.
<b>Mode Bits</b>	OSCOFF, CPUOFF, and GIE are not affected.
<b>Example</b>	Exchange the bytes of RAM address-word EDE

```
MOVX .A    #23456h, &EDE    ; 23456h -> EDE
SWPBX .A   EDE              ; 25634h -> EDE
```

**Example** Exchange the bytes of R5

```
MOVA      #23456h, R5      ; 23456h -> R5
SWPBX .W  R5              ; 05634h -> R5
```

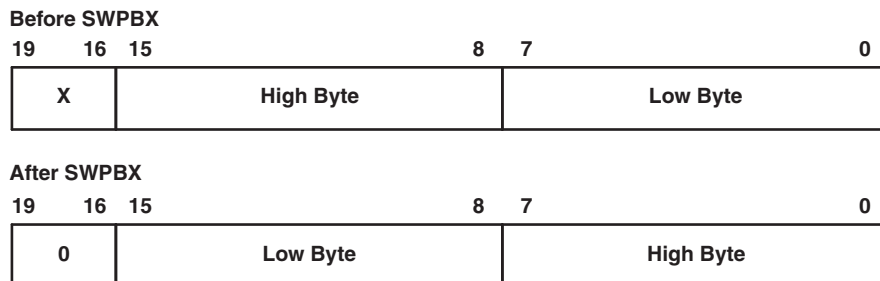


**Figure 5-55. Swap Bytes SWPBX.A Register Mode**

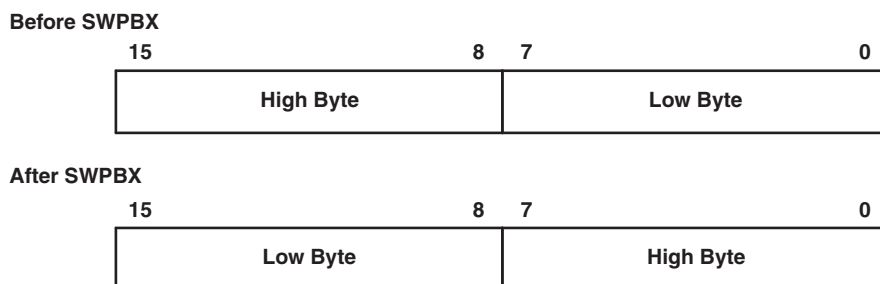


**Figure 5-56. Swap Bytes SWPBX.A In Memory**





**Figure 5-57. Swap Bytes SWPBX[.W] Register Mode**

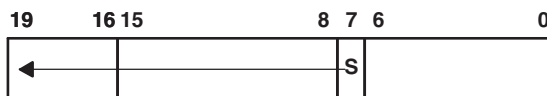


**Figure 5-58. Swap Bytes SWPBX[.W] In Memory**

<b>SXTX.A</b>	Extend sign of lower byte to address-word
<b>SXTX.[W]</b>	Extend sign of lower byte to word
<b>Syntax</b>	SXTX .A dst SXTX dst or SXTX .W dst
<b>Operation</b>	dst.7 → dst.15:8, Rdst.7 → Rdst.19:8 (Register mode)
<b>Description</b>	Register mode: The sign of the low byte of the operand (Rdst.7) is extended into the bits Rdst.19:8.  Other modes: SXTX.A: the sign of the low byte of the operand (dst.7) is extended into dst.19:8. The bits dst.31:20 are cleared.  SXTX[W]: the sign of the low byte of the operand (dst.7) is extended into dst.15:8.
<b>Status Bits</b>	N: Set if result is negative, reset otherwise Z: Set if result is zero, reset otherwise C: Set if result is not zero, reset otherwise (C = .not.Z) V: Reset
<b>Mode Bits</b>	OSCOFF, CPUOFF, and GIE are not affected.
<b>Example</b>	The signed 8-bit data in EDE.7:0 is sign extended to 20 bits: EDE.19:8. Bits 31:20 located in EDE+2 are cleared.

SXTX.A      &EDE                                      ; Sign extended EDE -> EDE+2/EDE

SXTX.A Rdst



SXTX.A dst

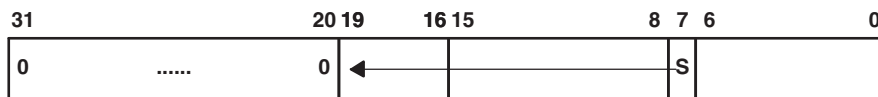
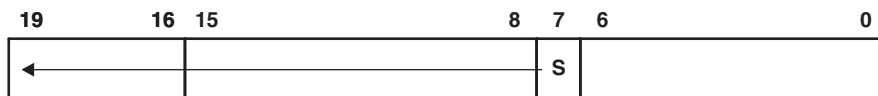


Figure 5-59. Sign Extend SXTX.A

SXTX[W] Rdst



SXTX[W] dst

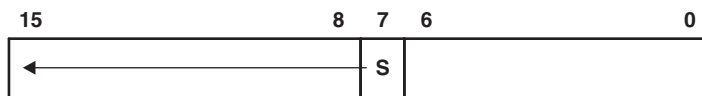


Figure 5-60. Sign Extend SXTX[W]

<b>* TSTX.A</b>	Test destination address-word
<b>* TSTX.[W]</b>	Test destination word
<b>* TSTX.B</b>	Test destination byte
<b>Syntax</b>	TSTX.A dst TSTX dst or TSTX.W dst TSTX.B dst
<b>Operation</b>	dst + 0FFFFFFh + 1 dst + 0FFFFFFh + 1 dst + 0FFh + 1
<b>Emulation</b>	CMPX.A #0, dst CMPX #0, dst CMPX.B #0, dst
<b>Description</b>	The destination operand is compared with zero. The status bits are set according to the result. The destination is not affected.
<b>Status Bits</b>	N: Set if destination is negative, reset if positive Z: Set if destination contains zero, reset otherwise C: Set V: Reset
<b>Mode Bits</b>	OSCOFF, CPUOFF, and GIE are not affected.
<b>Example</b>	RAM byte LEO is tested; PC is pointing to upper memory. If it is negative, continue at LEONEG; if it is positive but not zero, continue at LEOPOS.

```

TSTX.B  LEO          ; Test LEO
JN      LEONEG      ; LEO is negative
JZ      LEOZERO     ; LEO is zero
LEOPOS  .....      ; LEO is positive but not zero
LEONEG  .....      ; LEO is negative
LEOZERO .....      ; LEO is zero

```

<b>XORX.A</b>	Exclusive OR source address-word with destination address-word
<b>XORX.[W]</b>	Exclusive OR source word with destination word
<b>XORX.B</b>	Exclusive OR source byte with destination byte
<b>Syntax</b>	XORX.A src ,dst XORX src ,dst or XORX.W src ,dst XORX.B src ,dst
<b>Operation</b>	src .xor. dst → dst
<b>Description</b>	The source and destination operands are exclusively ORed. The result is placed into the destination. The source operand is not affected. The previous contents of the destination are lost. Both operands may be located in the full address space.
<b>Status Bits</b>	N: Set if result is negative (MSB = 1), reset if positive (MSB = 0) Z: Set if result is zero, reset otherwise C: Set if result is not zero, reset otherwise (carry = .not. Zero) V: Set if both operands are negative (before execution), reset otherwise
<b>Mode Bits</b>	OSCOFF, CPUOFF, and GIE are not affected.
<b>Example</b>	Toggle bits in address-word CNTR (20-bit data) with information in address-word TONI (20-bit address)

```
XORX.A  TONI,&CNTR      ; Toggle bits in CNTR
```

**Example** A table word pointed to by R5 (20-bit address) is used to toggle bits in R6.

```
XORX.W  @R5,R6          ; Toggle bits in R6. R6.19:16 = 0
```

**Example** Reset to zero those bits in the low byte of R7 that are different from the bits in byte EDE (20-bit address)

```
XORX.B  EDE,R7          ; Set different bits to 1 in R7  
INV.B   R7              ; Invert low byte of R7. R7.19:8 = 0.
```

### 5.6.4 Address Instructions

MSP430X address instructions are instructions that support 20-bit operands but have restricted addressing modes. The addressing modes are restricted to the Register mode and the Immediate mode, except for the MOVA instruction. Restricting the addressing modes removes the need for the additional extension-word op-code improving code density and execution time. The MSP430X address instructions are listed and described in the following pages.

<b>ADDA</b>	Add 20-bit source to a 20-bit destination register
<b>Syntax</b>	ADDA Rsrc , Rdst ADDA #imm20 , Rdst
<b>Operation</b>	src + Rdst → Rdst
<b>Description</b>	The 20-bit source operand is added to the 20-bit destination CPU register. The previous contents of the destination are lost. The source operand is not affected.
<b>Status Bits</b>	N: Set if result is negative (Rdst.19 = 1), reset if positive (Rdst.19 = 0) Z: Set if result is zero, reset otherwise C: Set if there is a carry from the 20-bit result, reset otherwise V: Set if the result of two positive operands is negative, or if the result of two negative numbers is positive, reset otherwise
<b>Mode Bits</b>	OSCOFF, CPUOFF, and GIE are not affected.
<b>Example</b>	R5 is increased by 0A4320h. The jump to TONI is performed if a carry occurs.

```

ADDA #0A4320h,R5      ; Add A4320h to 20-bit R5
JC   TONI             ; Jump on carry
...                   ; No carry occurred

```

**\* BRA** Branch to destination

**Syntax** BRA dst

**Operation** dst → PC

**Emulation** MOVA dst, PC

**Description** An unconditional branch is taken to a 20-bit address anywhere in the full address space. All seven source addressing modes can be used. The branch instruction is an address-word instruction. If the destination address is contained in a memory location X, it is contained in two ascending words: X (LSBs) and (X + 2) (MSBs).

**Status Bits** N: Not affected

Z: Not affected

C: Not affected

V: Not affected

**Mode Bits** OSCOFF, CPUOFF, and GIE are not affected.

**Examples** Examples for all addressing modes are given.

Immediate mode: Branch to label EDE located anywhere in the 20-bit address space or branch directly to address.

```
BRA    #EDE          ; MOVA    #imm20,PC
BRA    #01AA04h
```

Symbolic mode: Branch to the 20-bit address contained in addresses EXEC (LSBs) and EXEC+2 (MSBs). EXEC is located at the address (PC + X) where X is within +32 K. Indirect addressing.

```
BRA    EXEC          ; MOVA    z16(PC),PC
```

Note: If the 16-bit index is not sufficient, a 20-bit index may be used with the following instruction.

```
MOVX.A EXEC,PC      ; 1M byte range with 20-bit index
```

Absolute mode: Branch to the 20-bit address contained in absolute addresses EXEC (LSBs) and EXEC+2 (MSBs). Indirect addressing.

```
BRA    &EXEC          ; MOVA    &abs20,PC
```

Register mode: Branch to the 20-bit address contained in register R5. Indirect R5.

```
BRA    R5             ; MOVA    R5,PC
```

Indirect mode: Branch to the 20-bit address contained in the word pointed to by register R5 (LSBs). The MSBs have the address (R5 + 2). Indirect, indirect R5.

```
BRA    @R5            ; MOVA    @R5,PC
```

Indirect, Auto-Increment mode: Branch to the 20-bit address contained in the words pointed to by register R5 and increment the address in R5 afterwards by 4. The next time the S/W flow uses R5 as a pointer, it can alter the program execution due to access to the next address in the table pointed to by R5. Indirect, indirect R5.

BRA        @R5+                    ; MOVA    @R5+,PC. R5 + 4

Indexed mode: Branch to the 20-bit address contained in the address pointed to by register (R5 + X) (e.g., a table with addresses starting at X). (R5 + X) points to the LSBs, (R5 + X + 2) points to the MSBs of the address. X is within R5 + 32 K. Indirect, indirect (R5 + X).

BRA        X(R5)                    ; MOVA    z16(R5),PC

Note: If the 16-bit index is not sufficient, a 20-bit index X may be used with the following instruction:

MOVX.A    X(R5),PC            ; 1M byte range with 20-bit index

<b>CALLA</b>	Call a subroutine
<b>Syntax</b>	CALLA dst
<b>Operation</b>	dst → tmp 20-bit dst is evaluated and stored SP – 2 → SP PC.19:16 → @SP updated PC with return address to TOS (MSBs) SP – 2 → SP PC.15:0 → @SP updated PC to TOS (LSBs) tmp → PC saved 20-bit dst to PC
<b>Description</b>	A subroutine call is made to a 20-bit address anywhere in the full address space. All seven source addressing modes can be used. The call instruction is an address-word instruction. If the destination address is contained in a memory location X, it is contained in two ascending words, X (LSBs) and (X + 2) (MSBs). Two words on the stack are needed for the return address. The return is made with the instruction RETA.
<b>Status Bits</b>	N: Not affected Z: Not affected C: Not affected V: Not affected
<b>Mode Bits</b>	OSCOFF, CPUOFF, and GIE are not affected.
<b>Examples</b>	Examples for all addressing modes are given. Immediate mode: Call a subroutine at label EXEC or call directly an address.

```
CALLA #EXEC          ; Start address EXEC
CALLA #01AA04h      ; Start address 01AA04h
```

Symbolic mode: Call a subroutine at the 20-bit address contained in addresses EXEC (LSBs) and EXEC+2 (MSBs). EXEC is located at the address (PC + X) where X is within +32 K. Indirect addressing.

```
CALLA EXEC          ; Start address at @EXEC. z16(PC)
```

Absolute mode: Call a subroutine at the 20-bit address contained in absolute addresses EXEC (LSBs) and EXEC+2 (MSBs). Indirect addressing.

```
CALLA &EXEC         ; Start address at @EXEC
```

Register mode: Call a subroutine at the 20-bit address contained in register R5. Indirect R5.

```
CALLA R5            ; Start address at @R5
```

Indirect mode: Call a subroutine at the 20-bit address contained in the word pointed to by register R5 (LSBs). The MSBs have the address (R5 + 2). Indirect, indirect R5.

```
CALLA @R5           ; Start address at @R5
```

Indirect, Auto-Increment mode: Call a subroutine at the 20-bit address contained in the words pointed to by register R5 and increment the 20-bit address in R5 afterwards by 4. The next time the S/W flow uses R5 as a pointer, it can alter the program execution due to access to the next word address in the table pointed to by R5. Indirect, indirect R5.



CALLA @R5+ ; Start address at @R5. R5 + 4

Indexed mode: Call a subroutine at the 20-bit address contained in the address pointed to by register (R5 + X); e.g., a table with addresses starting at X. (R5 + X) points to the LSBs, (R5 + X + 2) points to the MSBs of the word address. X is within R5 + 32 K.  
Indirect, indirect (R5 + X).

CALLA X(R5) ; Start address at @(R5+X). z16(R5)

---

<b>* CLRA</b>	Clear 20-bit destination register
<b>Syntax</b>	CLRA Rdst
<b>Operation</b>	0 → Rdst
<b>Emulation</b>	MOVA #0 , Rdst
<b>Description</b>	The destination register is cleared.
<b>Status Bits</b>	Status bits are not affected.
<b>Example</b>	The 20-bit value in R10 is cleared.

```
CLRA R10 ; 0 -> R10
```

<b>CMPA</b>	Compare the 20-bit source with a 20-bit destination register
<b>Syntax</b>	CMPA Rsrc , Rdst CMPA #imm20 , Rdst
<b>Operation</b>	(.not. src) + 1 + Rdst or Rdst – src
<b>Description</b>	The 20-bit source operand is subtracted from the 20-bit destination CPU register. This is made by adding the 1s complement of the source + 1 to the destination register. The result affects only the status bits.
<b>Status Bits</b>	N: Set if result is negative (src > dst), reset if positive (src ≤ dst) Z: Set if result is zero (src = dst), reset otherwise (src ≠ dst) C: Set if there is a carry from the MSB, reset otherwise V: Set if the subtraction of a negative source operand from a positive destination operand delivers a negative result, or if the subtraction of a positive source operand from a negative destination operand delivers a positive result, reset otherwise (no overflow)
<b>Mode Bits</b>	OSCOFF, CPUOFF, and GIE are not affected.
<b>Example</b>	A 20-bit immediate operand and R6 are compared. If they are equal, the program continues at label EQUAL.

```

CMPA #12345h,R6      ; Compare R6 with 12345h
JEQ  EQUAL          ; R5 = 12345h
...                ; Not equal

```

<b>Example</b>	The 20-bit values in R5 and R6 are compared. If R5 is greater than (signed) or equal to R6, the program continues at label GRE.
----------------	---

```

CMPA R6,R5          ; Compare R6 with R5 (R5 - R6)
JGE  GRE            ; R5 >= R6
...                ; R5 < R6

```

---

<b>* DECDA</b>	Double-decrement 20-bit destination register
<b>Syntax</b>	DECDA Rdst
<b>Operation</b>	$Rdst - 2 \rightarrow Rdst$
<b>Emulation</b>	SUBA #2, Rdst
<b>Description</b>	The destination register is decremented by two. The original contents are lost.
<b>Status Bits</b>	<p>N: Set if result is negative, reset if positive</p> <p>Z: Set if Rdst contained 2, reset otherwise</p> <p>C: Reset if Rdst contained 0 or 1, set otherwise</p> <p>V: Set if an arithmetic overflow occurs, otherwise reset</p>
<b>Mode Bits</b>	OSCOFF, CPUOFF, and GIE are not affected.
<b>Example</b>	The 20-bit value in R5 is decremented by 2.

```
DECDA R5 ; Decrement R5 by two
```

<b>* INCDA</b>	Double-increment 20-bit destination register
<b>Syntax</b>	INCDA Rdst
<b>Operation</b>	Rdst + 2 → Rdst
<b>Emulation</b>	ADDA #2, Rdst
<b>Description</b>	The destination register is incremented by two. The original contents are lost.
<b>Status Bits</b>	<p>N: Set if result is negative, reset if positive</p> <p>Z: Set if Rdst contained 0FFFFEh, reset otherwise Set if Rdst contained 0FFFEh, reset otherwise Set if Rdst contained 0FEh, reset otherwise</p> <p>C: Set if Rdst contained 0FFFFEh or 0FFFFFFh, reset otherwise Set if Rdst contained 0FFFEh or 0FFFFh, reset otherwise Set if Rdst contained 0FEh or 0FFh, reset otherwise</p> <p>V: Set if Rdst contained 07FFFEh or 07FFFFh, reset otherwise Set if Rdst contained 07FFEh or 07FFFh, reset otherwise Set if Rdst contained 07Eh or 07Fh, reset otherwise</p>
<b>Mode Bits</b>	OSCOFF, CPUOFF, and GIE are not affected.
<b>Example</b>	The 20-bit value in R5 is incremented by two.

```
INCDA R5 ; Increment R5 by two
```

<b>MOVA</b>	Move the 20-bit source to the 20-bit destination
<b>Syntax</b>	<pre>MOVA Rsrc ,Rdst MOVA #imm20 ,Rdst MOVA z16(Rsrc) ,Rdst MOVA EDE ,Rdst MOVA &amp;abs20 ,Rdst MOVA @Rsrc ,Rdst MOVA @Rsrc+ ,Rdst MOVA Rsrc ,z16(Rdst) MOVA Rsrc ,&amp;abs20</pre>
<b>Operation</b>	<pre>src → Rdst Rsrc → dst</pre>
<b>Description</b>	The 20-bit source operand is moved to the 20-bit destination. The source operand is not affected. The previous content of the destination is lost.
<b>Status Bits</b>	<pre>N: Not affected Z: Not affected C: Not affected V: Not affected</pre>
<b>Mode Bits</b>	OSCOFF, CPUOFF, and GIE are not affected.
<b>Examples</b>	<p>Copy 20-bit value in R9 to R8</p> <pre>MOVA R9,R8 ; R9 -&gt; R8</pre> <p>Write 20-bit immediate value 12345h to R12</p> <pre>MOVA #12345h,R12 ; 12345h -&gt; R12</pre> <p>Copy 20-bit value addressed by (R9 + 100h) to R8. Source operand in addresses (R9 + 100h) LSBs and (R9 + 102h) MSBs.</p> <pre>MOVA 100h(R9),R8 ; Index: + 32 K. 2 words transferred</pre> <p>Move 20-bit value in 20-bit absolute addresses EDE (LSBs) and EDE+2 (MSBs) to R12</p> <pre>MOVA &amp;EDE,R12 ; &amp;EDE -&gt; R12. 2 words transferred</pre> <p>Move 20-bit value in 20-bit addresses EDE (LSBs) and EDE+2 (MSBs) to R12. PC index <math>\pm 32</math> K.</p> <pre>MOVA EDE,R12 ; EDE -&gt; R12. 2 words transferred</pre> <p>Copy 20-bit value R9 points to (20 bit address) to R8. Source operand in addresses @R9 LSBs and @(R9 + 2) MSBs.</p> <pre>MOVA @R9,R8 ; @R9 -&gt; R8. 2 words transferred</pre> <p>Copy 20-bit value R9 points to (20 bit address) to R8. R9 is incremented by four afterwards. Source operand in addresses @R9 LSBs and @(R9 + 2) MSBs.</p>

MOVA @R9+,R8 ; @R9 -> R8. R9 + 4. 2 words transferred.

Copy 20-bit value in R8 to destination addressed by (R9 + 100h). Destination operand in addresses @(R9 + 100h) LSBs and @(R9 + 102h) MSBs.

MOVA R8,100h(R9) ; Index: +- 32 K. 2 words transferred

Move 20-bit value in R13 to 20-bit absolute addresses EDE (LSBs) and EDE+2 (MSBs)

MOVA R13,&EDE ; R13 -> EDE. 2 words transferred

Move 20-bit value in R13 to 20-bit addresses EDE (LSBs) and EDE+2 (MSBs). PC index  $\pm$  32 K.

MOVA R13,EDE ; R13 -> EDE. 2 words transferred

<b>* RETA</b>	Return from subroutine
<b>Syntax</b>	RETA
<b>Operation</b>	<p>@SP → PC.15:0 LSBs (15:0) of saved PC to PC.15:0</p> <p>SP + 2 → SP</p> <p>@SP → PC.19:16 MSBs (19:16) of saved PC to PC.19:16</p> <p>SP + 2 → SP</p>
<b>Emulation</b>	MOVA @SP+, PC
<b>Description</b>	The 20-bit return address information, pushed onto the stack by a CALLA instruction, is restored to the PC. The program continues at the address following the subroutine call. The SR bits SR.11:0 are not affected. This allows the transfer of information with these bits.
<b>Status Bits</b>	<p>N: Not affected</p> <p>Z: Not affected</p> <p>C: Not affected</p> <p>V: Not affected</p>
<b>Mode Bits</b>	OSCOFF, CPUOFF, and GIE are not affected.
<b>Example</b>	Call a subroutine SUBR from anywhere in the 20-bit address space and return to the address after the CALLA

```

CALLA    #SUBR        ; Call subroutine starting at SUBR
...
SUBR     PUSHM.A     #2,R14    ; Save R14 and R13 (20 bit data)
...
        POPM.A      #2,R14    ; Subroutine code
        RETA        ; Restore R13 and R14 (20 bit data)
        RETA        ; Return (to full address space)

```



<b>* TSTA</b>	Test 20-bit destination register
<b>Syntax</b>	TSTA Rdst
<b>Operation</b>	dst + 0FFFFFFh + 1 dst + 0FFFFh + 1 dst + 0FFh + 1
<b>Emulation</b>	CMPA #0 ,Rdst
<b>Description</b>	The destination register is compared with zero. The status bits are set according to the result. The destination register is not affected.
<b>Status Bits</b>	N: Set if destination register is negative, reset if positive Z: Set if destination register contains zero, reset otherwise C: Set V: Reset
<b>Mode Bits</b>	OSCOFF, CPUOFF, and GIE are not affected.
<b>Example</b>	The 20-bit value in R7 is tested. If it is negative, continue at R7NEG; if it is positive but not zero, continue at R7POS.

```

TSTA  R7          ; Test R7
JN    R7NEG       ; R7 is negative
JZ    R7ZERO      ; R7 is zero
R7POS .....      ; R7 is positive but not zero
R7NEG .....      ; R7 is negative
R7ZERO .....     ; R7 is zero

```

<b>SUBA</b>	Subtract 20-bit source from 20-bit destination register
<b>Syntax</b>	SUBA Rsrc , Rdst SUBA #imm20 , Rdst
<b>Operation</b>	$(\text{.not.src}) + 1 + \text{Rdst} \rightarrow \text{Rdst}$ or $\text{Rdst} - \text{src} \rightarrow \text{Rdst}$
<b>Description</b>	The 20-bit source operand is subtracted from the 20-bit destination register. This is made by adding the 1s complement of the source + 1 to the destination. The result is written to the destination register, the source is not affected.
<b>Status Bits</b>	N: Set if result is negative ( $\text{src} > \text{dst}$ ), reset if positive ( $\text{src} \leq \text{dst}$ ) Z: Set if result is zero ( $\text{src} = \text{dst}$ ), reset otherwise ( $\text{src} \neq \text{dst}$ ) C: Set if there is a carry from the MSB (Rdst.19), reset otherwise V: Set if the subtraction of a negative source operand from a positive destination operand delivers a negative result, or if the subtraction of a positive source operand from a negative destination operand delivers a positive result, reset otherwise (no overflow)
<b>Mode Bits</b>	OSCOFF, CPUOFF, and GIE are not affected.
<b>Example</b>	The 20-bit value in R5 is subtracted from R6. If a carry occurs, the program continues at label TONI.

```

SUBA  R5,R6      ; R6 - R5 -> R6
JC    TONI      ; Carry occurred
...          ; No carry

```



## Flash Memory Controller

---

---

---

This chapter describes the operation of the flash memory controller.

Topic	Page
6.1 Flash Memory Introduction.....	260
6.2 Flash Memory Segmentation .....	261
6.3 Flash Memory Operation .....	263
6.4 Flash Memory Registers.....	277

## 6.1 Flash Memory Introduction

The flash memory is byte, word, and long-word addressable and programmable. The flash memory module has an integrated controller that controls programming and erase operations. The module contains three registers, a timing generator, and a voltage generator to supply program and erase voltages. The cumulative high-voltage time must not be exceeded, and each 32-bit word can be written not more than four times (in byte, word, or long word write modes) before another erase cycle (see device-specific data sheet for details).

The flash memory features include:

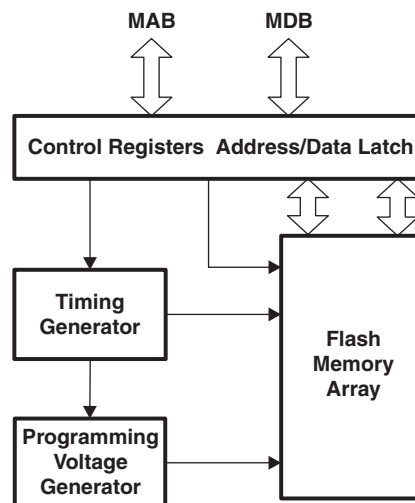
- Internal programming voltage generation
- Byte, word (2 bytes), and long (4 bytes) programmable
- Ultralow-power operation
- Segment erase, bank erase (device specific), and mass erase
- Marginal 0 and marginal 1 read modes
- Each bank (device specific) can be erased individually while program execution can proceed in a different flash bank.

---

**Note:** Bank operations are not supported on all devices. See the device-specific data sheet for banks supported and their respective sizes.

---

The block diagram of the flash memory and controller is shown in [Figure 6-1](#).



**Figure 6-1. Flash Memory Module Block Diagram**

## 6.2 Flash Memory Segmentation

The flash main memory is partitioned into 512-byte segments. Single bits, bytes, or words can be written to flash memory, but a segment is the smallest size of the flash memory that can be erased.

The flash memory is partitioned into main and information memory sections. There is no difference in the operation of the main and information memory sections. Code and data can be located in either section. The difference between the sections is the segment size.

There are four information memory segments, A through D. Each information memory segment contains 128 bytes and can be erased individually.

The bootstrap loader (BSL) memory consists of four segments, A through D. Each BSL memory segment contains 512 bytes and can be erased individually.

The main memory segment size is 512 byte. See the device-specific data sheet for the start and end addresses of each bank, when available, and for the complete memory map of a device.

Figure 6-2 shows the flash segmentation using an example of 256-KB flash that has four banks of 64 KB (segments A through D) and information memory.

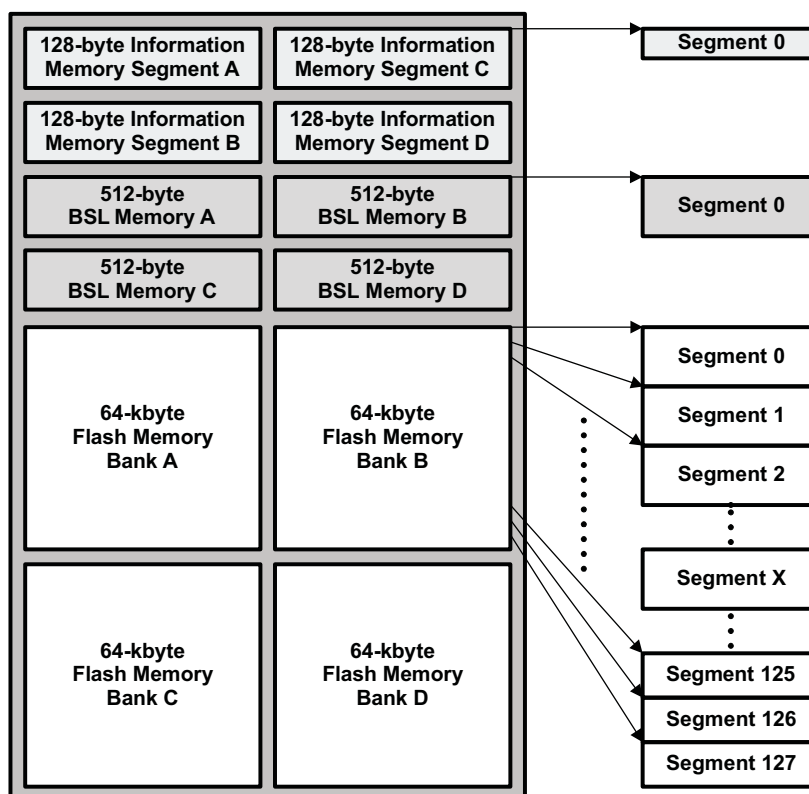


Figure 6-2. 256-KB Flash Memory Segments Example

### 6.2.1 Segment A

Segment A of the information memory is locked separately from all other segments with the LOCKA bit. If LOCKA = 1, segment A cannot be written or erased, and all information memory is protected from being segment erased. If LOCKA = 0, segment A can be erased and written like any other flash memory segment.

The state of the LOCKA bit is toggled when a 1 is written to it. Writing a 0 to LOCKA has no effect. This allows existing flash programming routines to be used unchanged.

```

; Unlock Info Memory
  BIC      #FWKEY+LOCKINFO, &FCTL4 ; Clear LOCKINFO
; Unlock SegmentA
  BIT      #LOCKA,&FCTL3           ; Test LOCKA
  JZ       SEGA_UNLOCKED          ; Already unlocked?
  MOV      #FWKEY+LOCKA,&FCTL3     ; No, unlock SegmentA
SEGA_UNLOCKED                          ; Yes, continue
; SegmentA is unlocked

; Lock SegmentA
  BIT      #LOCKA,&FCTL3           ; Test LOCKA
  JNZ      SEGA_LOCKED            ; Already locked?
  MOV      #FWKEY+LOCKA,&FCTL3     ; No, lock SegmentA
SEGA_LOCKED                             ; Yes, continue
; SegmentA is locked
; Lock Info Memory
  BIS      #FWKEY+LOCKINFO,&FCTL4 ; Set LOCKINFO

```

### 6.3 Flash Memory Operation

The default mode of the flash memory is read mode. In read mode, the flash memory is not being erased or written, the flash timing generator and voltage generator are off, and the memory operates identically to ROM.

**Read and fetch while erase** – The flash memory allows execution of a program from flash while a different flash bank is erased. Data reads are also possible from any flash bank not being erased.

---

**Note: Read and fetch while erase**

The read and fetch while erase feature is available in flash memory configurations where more than one flash bank is available. If there is one flash bank available, holding the complete flash program memory, the read from the program memory and information memory and BSL memory during the erase is not provided.

---

Flash memory is in-system programmable (ISP) without the need for additional external voltage. The CPU can program the flash memory. The flash memory write/erase modes are selected by the BLKWRT, WRT, MERAS, and ERASE bits and are:

- Byte/word/long-word (32-bit) write
- Block write
- Segment erase
- Bank erase (only main memory)
- Mass erase (all main memory banks)
- Read during bank erase (except for the one currently read from)

Reading or writing to flash memory while it is busy programming or erasing (page, mass, or bank) from the same bank is prohibited. Any flash erase or programming can be initiated from within flash memory or RAM.

#### 6.3.1 Erasing Flash Memory

The logical value of an erased flash memory bit is 1. Each bit can be programmed from 1 to 0 individually, but to reprogram from 0 to 1 requires an erase cycle. The smallest amount of flash that can be erased is one segment. There are three erase modes selected by the ERASE and MERAS bits listed in [Table 6-1](#).

**Table 6-1. Erase Modes**

MERAS	ERASE	Erase Mode
0	1	Segment erase
1	0	Bank erase (of one bank) selected by the dummy write address <sup>(1)</sup>
1	1	Mass erase (all memory banks, information memory A to D and BSL segments A to D are not erased)

<sup>(1)</sup> Bank operations are not supported on all devices. See the device-specific data sheet for support of bank operations.

## Erase Cycle

An erase cycle is initiated by a dummy write to the address range of the segment to be erased. The dummy write starts the erase operation. Figure 6-3 shows the erase cycle timing. The BUSY bit is set immediately after the dummy write and remains set throughout the erase cycle. BUSY, MERAS, and ERASE are automatically cleared when the cycle completes. The mass erase cycle timing is not dependent on the amount of flash memory present on a device. Erase cycle times are equivalent for all devices.

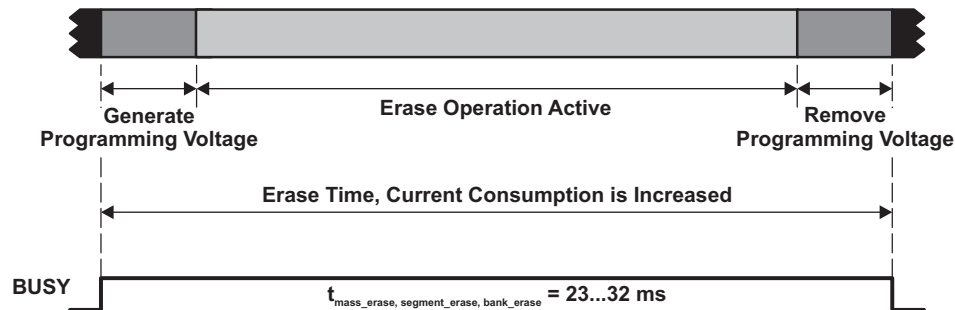


Figure 6-3. Erase Cycle Timing

## Erasing Main Memory

The main memory consists of one or more banks. Each bank can be erased individually (bank erase). All main memory banks can be erased in the mass erase mode.

## Erasing Information Memory or Flash Segments

The information memory A to D and the BSL segments A to D can be erased in segment erase mode. They are not erased during a bank erase or a mass erase.



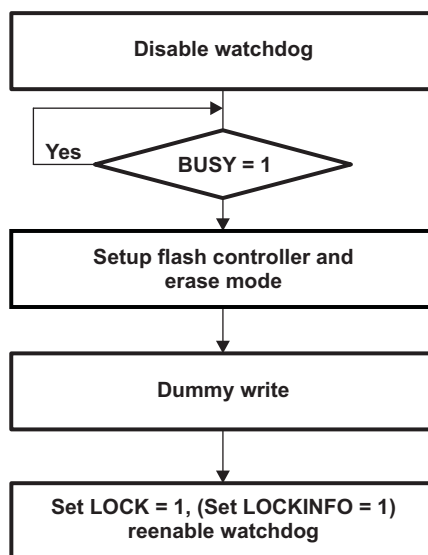
## Initiating Erase From Flash

An erase cycle can be initiated from within flash memory. Code can be executed from flash or RAM during a bank erase. The executed code cannot be located in a bank to be erased.

During a segment erase, the CPU is held until the erase cycle completes. After the erase cycle ends, the CPU resumes code execution with the instruction following the dummy write.

When initiating an erase cycle from within flash memory, it is possible to erase the code needed for execution after the erase operation. If this occurs, CPU execution is unpredictable after the erase cycle.

The flow to initiate an erase from flash is shown in [Figure 6-4](#).



**Figure 6-4. Erase Cycle From Flash**

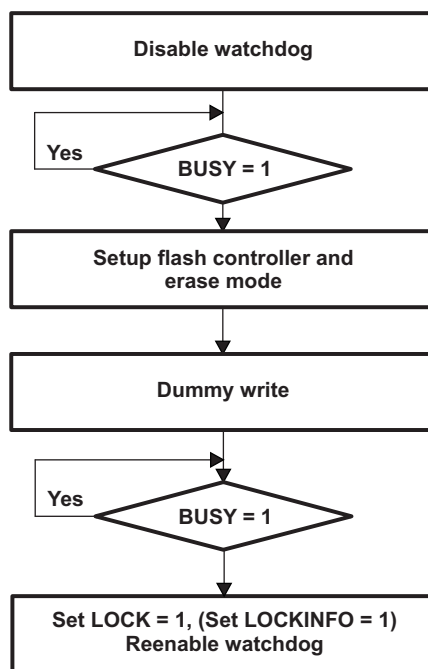
```

; Segment Erase from flash.
; Assumes Program Memory. Information memory or BSL
; requires LOCKINFO to be cleared as well.
; Assumes ACCVIE = NMIIIE = OFIE = 0.
    MOV    #WDTPW+WDTHOLD,&WDTCTL    ; Disable WDT
L1  BIT    #BUSY,&FCTL3              ; Test BUSY
    JNZ    L1                        ; Loop while busy
    MOV    #FWKEY,&FCTL3             ; Clear LOCK
    MOV    #FWKEY+ERASE,&FCTL1      ; Enable segment erase
    CLR    &0FC10h                  ; Dummy write
L2  BIT    #BUSY,&FCTL3              ; Test BUSY
    JNZ    L2                        ; Loop while busy
    MOV    #FWKEY+LOCK,&FCTL3       ; Done, set LOCK
    ...                               ; Re-enable WDT?
  
```

## Initiating Erase From RAM

An erase cycle can be initiated from RAM. In this case, the CPU is not held and continues to execute code from RAM. The mass erase (all main memory banks) operation is initiated while executing from RAM. The BUSY bit is used to determine the end of the erase cycle. If the flash is busy completing a bank erase, flash addresses of a different bank can be used to read data or to fetch instructions. While the flash is BUSY, starting an erase cycle or a programming cycle causes an access violation, ACCIFG is set to 1, and the result of the erase operation is unpredictable.

The flow to initiate an erase from flash from RAM is shown in [Figure 6-5](#).



**Figure 6-5. Erase Cycle From RAM**

```

; segment Erase from RAM.
; Assumes Program Memory. Information memory or BSL
; requires LOCKINFO to be cleared as well.
; Assumes ACCVIE = NMIIIE = OFIE = 0.
    MOV    #WDPW+WDTHOLD,&WDTCTL    ; Disable WDT
L1  BIT    #BUSY,&FCTL3              ; Test BUSY
    JNZ    L1                        ; Loop while busy
    MOV    #FWKEY,&FCTL3             ; Clear LOCK
    MOV    #FWKEY+ERASE,&FCTL1       ; Enable page erase
    CLR    &0FC10h                   ; Dummy write
L2  BIT    #BUSY,&FCTL3              ; Test BUSY
    JNZ    L2                        ; Loop while busy
    MOV    #FWKEY+LOCK,&FCTL3        ; Done, set LOCK
    ...                               ; Re-enable WDT?
  
```

### 6.3.2 Writing Flash Memory

The write modes, selected by the WRT and BLKWRT bits, are listed in [Table 6-2](#).

**Table 6-2. Write Modes**

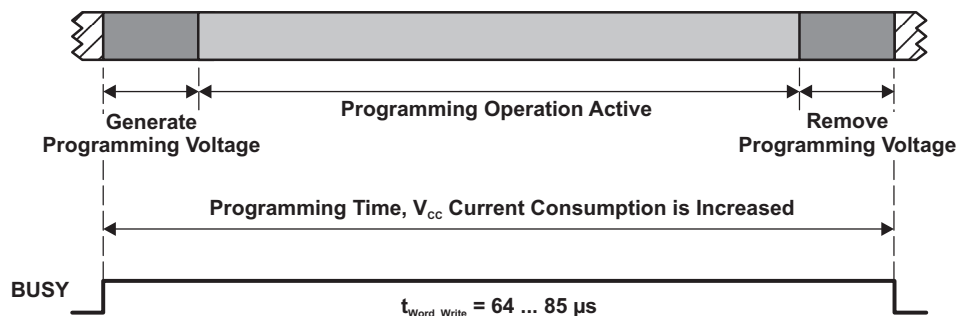
BLKWRT	WRT	Write Mode
0	1	Byte/word write
1	0	Long-word write
1	1	Long-word block write

The write modes use a sequence of individual write instructions. Using the long-word write mode is approximately twice as fast as the byte/word mode. Using the long-word block write mode is approximately four times faster than byte/word mode, because the voltage generator remains on for the complete block write, and long-words are written in parallel. Any instruction that modifies a destination can be used to modify a flash location in either byte/word write mode, long-word write mode, or block long-word write mode.

The BUSY bit is set while the write operation is active and cleared when the operation completes. If the write operation is initiated from RAM, the CPU must not access flash while BUSY is set to 1. Otherwise, an access violation occurs, ACCVIFG is set, and the flash write is unpredictable.

#### Byte/Word Write

A byte/word write operation can be initiated from within flash memory or from RAM. When initiating from within flash memory, the CPU is held while the write completes. After the write completes, the CPU resumes code execution with the instruction following the write access. The byte/word write timing is shown in [Figure 6-6](#).



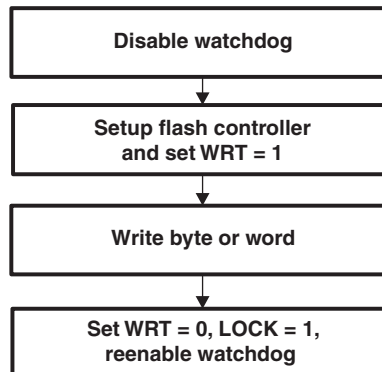
**Figure 6-6. Byte/Word/Long-Word Write Timing**

When a byte/word write is executed from RAM, the CPU continues to execute code from RAM. The BUSY bit must be zero before the CPU accesses flash again, otherwise an access violation occurs, ACCVIFG is set, and the write result is unpredictable.

In byte/word write mode, the internally-generated programming voltage is applied to the complete 128-byte block. The cumulative programming time,  $t_{CPT}$ , must not be exceeded for any block. Each byte or word write adds to the cumulative program time of a segment. If the maximum cumulative program time is reached or exceeded, the segment must be erased. Further programming or using the data returns unpredictable results (see the device-specific data sheet for specifications).

## Initiating Byte/Word Write From Flash

The flow to initiate a byte/word write from flash is shown in [Figure 6-7](#).



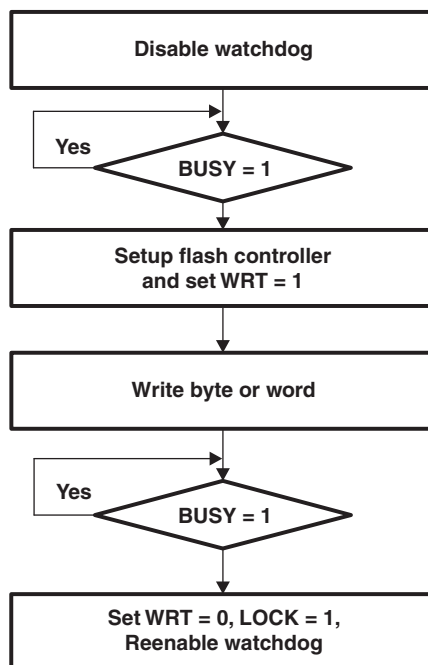
**Figure 6-7. Initiating a Byte/Word Write From Flash**

```

; Byte/word write from flash.
; Assumes 0x0FF1E is already erased
; Assumes ACCVIE = NMIIIE = OFIE = 0.
MOV  #WDTPW+WDTHOLD,&WDTCTL      ; Disable WDT
MOV  #FWKEY,&FCTL3                ; Clear LOCK
MOV  #FWKEY+WRT,&FCTL1           ; Enable write
MOV  #0123h,&0FF1Eh              ; 0123h -> 0x0FF1E
MOV  #FWKEY,&FCTL1               ; Done. Clear WRT
MOV  #FWKEY+LOCK,&FCTL3          ; Set LOCK
...                                ; Re-enable WDT?
  
```

## Initiating Byte/Word Write From RAM

The flow to initiate a byte/word write from RAM is shown in [Figure 6-8](#).



**Figure 6-8. Initiating a Byte/Word Write From RAM**

```

; Byte/word write from RAM.
; Assumes 0x0FF1E is already erased
; Assumes ACCVIE = NMIIIE = OFIE = 0.
    MOV    #WDPW+WDTHOLD,&WDTCTL    ; Disable WDT
L1  BIT    #BUSY,&FCTL3              ; Test BUSY
    JNZ   L1                        ; Loop while busy
    MOV    #FWKEY,&FCTL3             ; Clear LOCK
    MOV    #FWKEY+WRT,&FCTL1        ; Enable write
    MOV    #0123h,&0FF1Eh           ; 0123h -> 0x0FF1E
L2  BIT    #BUSY,&FCTL3              ; Test BUSY
    JNZ   L2                        ; Loop while busy
    MOV    #FWKEY,&FCTL1             ; Clear WRT
    MOV    #FWKEY+LOCK,&FCTL3       ; Set LOCK
    ...                               ; Re-enable WDT?
  
```

## Long-Word Write

A long-word write operation can be initiated from within flash memory or from RAM. The BUSY bit is set to 1 after 32 bits are written to the flash controller and the programming cycle starts. When initiating from within flash memory, the CPU is held while the write completes. After the write completes, the CPU resumes code execution with the instruction following the write access. The long-word write timing is shown in [Figure 6-6](#).

A long-word consists of four consecutive bytes aligned to at 32-bit address (only the lower two address bits are different). The bytes can be written in any order or any combination of bytes and words. If a byte or word is written more than once, the last data written to the four bytes are stored into the flash memory.

If a write to a flash address outside of the 32-bit address happens before all four bytes are available, the data written so far is discarded, and the latest byte/word written defines the new 32-bit aligned address.

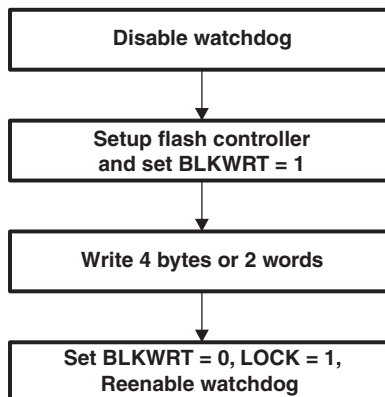
When 32 bits are available, the write cycle is executed. When executing from RAM, the CPU continues to execute code. The BUSY bit must be zero before the CPU accesses flash again, otherwise an access violation occurs, ACCVIFG is set, and the write result is unpredictable.

In long-word write mode, the internally-generated programming voltage is applied to a complete 128-byte block. The cumulative programming time,  $t_{CPT}$ , must not be exceeded for any block. Each byte or word write adds to the cumulative program time of a segment. If the maximum cumulative program time is reached or exceeded, the segment must be erased. Further programming or using the data returns unpredictable results.

With each byte or word write, the amount of time the block is subjected to the programming voltage accumulates. If the cumulative programming time is reached or exceeded, the block must be erased before further programming or use (see the device-specific data sheet for specifications).

### Initiating Long-Word Write From Flash

The flow to initiate a long-word write from flash is shown in [Figure 6-9](#).



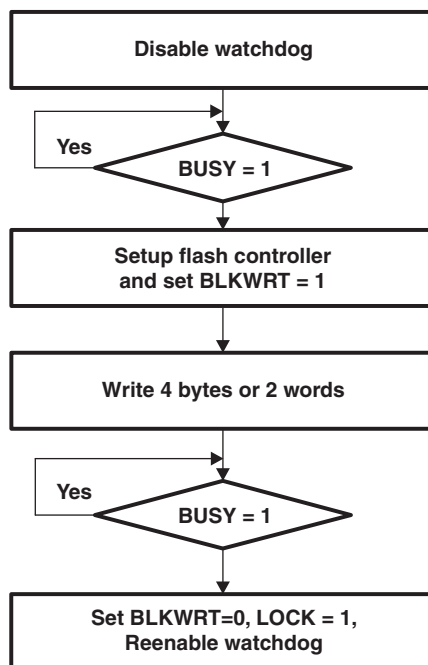
**Figure 6-9. Initiating Long-Word Write From Flash**

```

; Long-word write from flash.
; Assumes 0x0FF1C and 0x0FF1E is already erased
; Assumes ACCVIE = NMIE = OFIE = 0.
MOV  #WDTPW+WDTHOLD,&WDTCTL      ; Disable WDT
MOV  #FWKEY,&FCTL3                ; Clear LOCK
MOV  #FWKEY+BLKWRT,&FCTL1        ; Enable 2-word write
MOV  #0123h,&0FF1Ch              ; 0123h -> 0x0FF1C
MOV  #45676h,&0FF1Eh             ; 04567h -> 0x0FF1E
MOV  #FWKEY,&FCTL1                ; Done. Clear BLKWRT
MOV  #FWKEY+LOCK,&FCTL3          ; Set LOCK
...                                ; Re-enable WDT?
  
```

## Initiating Long-Word Write From RAM

The flow to initiate a long-word write from RAM is shown in [Figure 6-10](#).



**Figure 6-10. Initiating Long-Word Write from RAM**

```

; Two 16-bit word writes from RAM.
; Assumes 0xFF1C and 0xFF1E is already erased
; Assumes ACCVIE = NMIE = OFIE = 0.
    MOV    #WDPW+WDTHOLD,&WDTCTL    ; Disable WDT
L1  BIT    #BUSY,&FCTL3              ; Test BUSY
    JNZ    L1                        ; Loop while busy
    MOV    #FWKEY,&FCTL3              ; Clear LOCK
    MOV    #FWKEY+BLKWRT,&FCTL1      ; Enable write
    MOV    #0123h,&0FF1Ch            ; 0123h -> 0xFF1C
    MOV    #4567h,&0FF1Eh            ; 4567h -> 0xFF1E
L2  BIT    #BUSY,&FCTL3              ; Test BUSY
    JNZ    L2                        ; Loop while busy
    MOV    #FWKEY,&FCTL1              ; Clear WRT
    MOV    #FWKEY+LOCK,&FCTL3        ; Set LOCK
    ...                               ; Re-enable WDT?
  
```

## Block Write

The block write can be used to accelerate the flash write process when many sequential bytes or words need to be programmed. The flash programming voltage remains on for the duration of writing the 128-byte row. The cumulative programming time,  $t_{CPT}$ , must not be exceeded for any row during a block write.

A block write cannot be initiated from within flash memory. The block write must be initiated from RAM. The BUSY bit remains set throughout the duration of the block write. The WAIT bit must be checked between writing four bytes, or two words, to the block. When WAIT is set, then four bytes, or two 16-bit words, of the block can be written. When writing successive blocks, the BLKWRT bit must be cleared after the current block is completed. BLKWRT can be set initiating the next block write after the required flash recovery time given by  $t_{END}$ . BUSY is cleared following each block write completion, indicating the next block can be written. Figure 6-11 shows the block write timing.

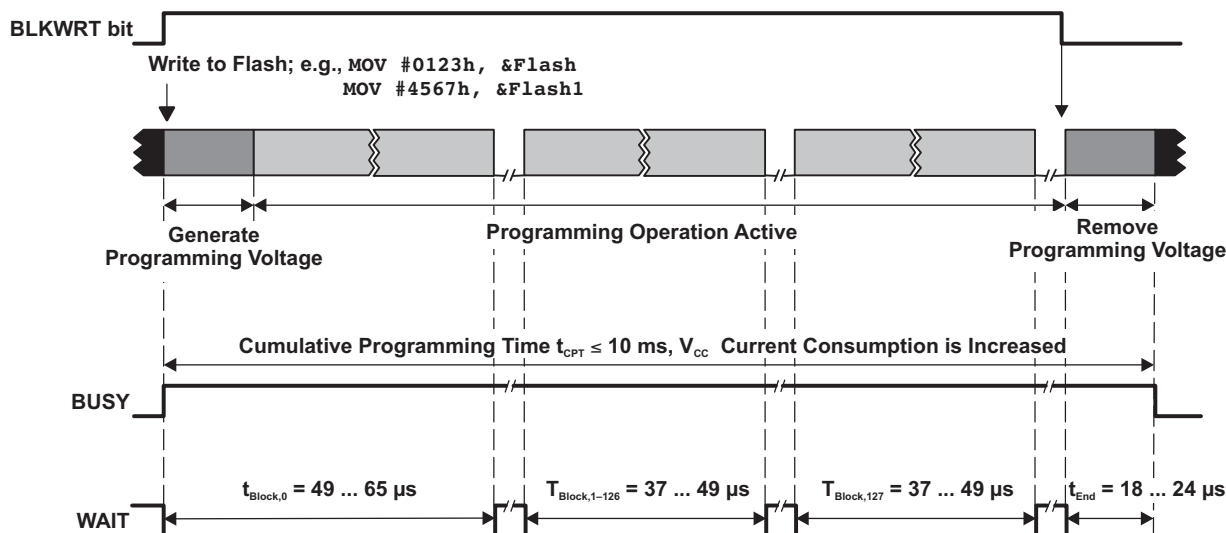


Figure 6-11. Block-Write Cycle Timing



### Block Write Flow and Example

A block write flow is shown in [Figure 6-12](#) and the following code example.

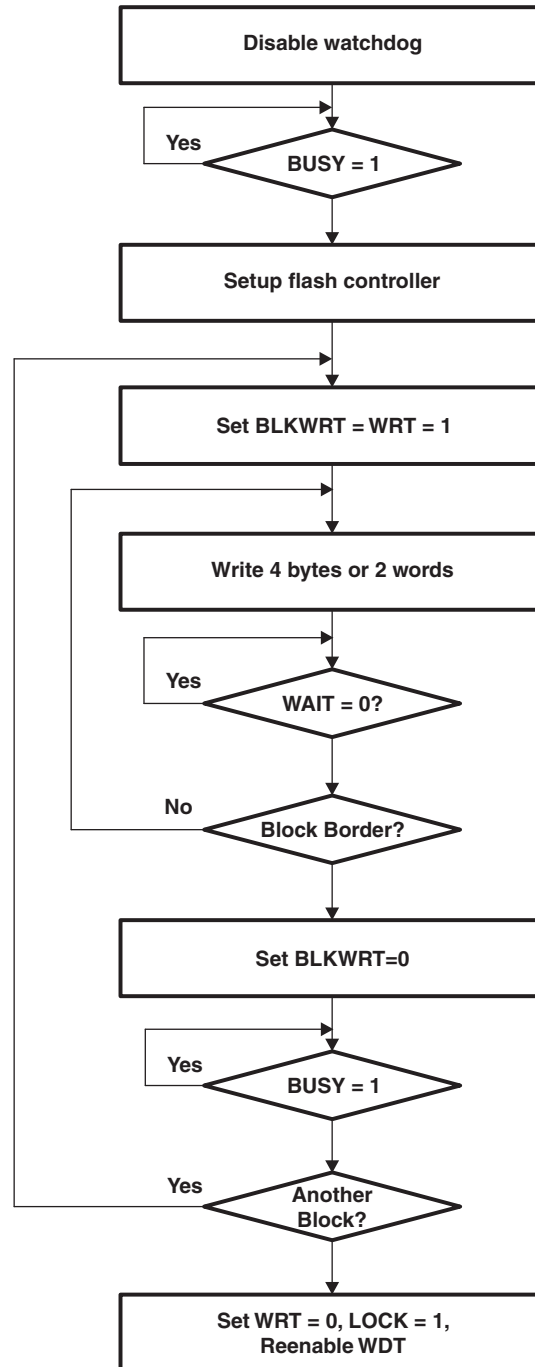


Figure 6-12. Block Write Flow

```

; Write one block starting at 0F000h.
; Must be executed from RAM, Assumes Flash is already erased.
; Assumes ACCVIE = NMIIE = OFIE = 0.
    MOV    #32,R5                ; Use as write counter
    MOV    #0F000h,R6           ; Write pointer
    MOV    #WDTPW+WDTHOLD,&WDTCTL ; Disable WDT
L1  BIT    #BUSY,&FCTL3         ; Test BUSY
    JNZ    L1                   ; Loop while busy
    MOV    #FWKEY,&FCTL3        ; Clear LOCK
    MOV    #FWKEY+BLKWRT+WRT,&FCTL1 ; Enable block write
L2  MOV    Write_Value1,0(R6)   ; Write 1st location
    MOV    Write_Value2,2(R6)   ; Write 2nd word
L3  BIT    #WAIT,&FCTL3         ; Test WAIT
    JZ     L3                   ; Loop while WAIT=0
    INCD   R6                   ; Point to next words
    INCD   R6                   ; Point to next words
    DEC    R5                   ; Decrement write counter
    JNZ    L2                   ; End of block?
    MOV    #FWKEY,&FCTL1        ; Clear WRT, BLKWRT
L4  BIT    #BUSY,&FCTL3         ; Test BUSY
    JNZ    L4                   ; Loop while busy
    MOV    #FWKEY+LOCK,&FCTL3   ; Set LOCK
    ...                          ; Re-enable WDT if needed

```

### 6.3.3 Flash Memory Access During Write or Erase

When a write or an erase operation is initiated from RAM while `BUSY = 1`, the CPU may not write to any flash location. Otherwise, an access violation occurs, `ACCVIFG` is set, and the result is unpredictable.

When a write operation is initiated from within flash memory, the CPU continues code execution with the next instruction fetch after the write cycle completed (`BUSY = 0`).

The op-code `3FFFh` is the `JMP PC` instruction. This causes the CPU to loop until the flash operation is finished. When the operation is finished and `BUSY = 0`, the flash controller allows the CPU to fetch the op-code and program execution resumes.

The flash access conditions while `BUSY = 1` are listed in [Table 6-3](#).

**Table 6-3. Flash Access While Flash is Dusy (BUSY = 1)**

Flash Operation	Flash Access	WAIT	Result
Bank erase	Read	0	From the erased bank: <code>ACCVIFG = 0</code> . <code>03FFFh</code> is the value read. From any other flash location: <code>ACCVIFG = 0</code> . Valid read.
	Write	0	<code>ACCVIFG = 1</code> . Write is ignored.
	Instruction fetch	0	From the erased bank: <code>ACCVIFG = 0</code> . CPU fetches <code>03FFFh</code> . This is the <code>JMP PC</code> instruction. From any other flash location: <code>ACCVIFG = 0</code> . Valid instruction fetch.
Segment erase	Read	0	<code>ACCVIFG = 0</code> : <code>03FFFh</code> is the value read.
	Write	0	<code>ACCVIFG = 1</code> : Write is ignored.
	Instruction fetch	0	<code>ACCVIFG = 0</code> : CPU fetches <code>03FFFh</code> . This is the <code>JMP PC</code> instruction.
Word/byte write or long-word write	Read	0	<code>ACCVIFG = 0</code> : <code>03FFFh</code> is the value read.
	Write	0	<code>ACCVIFG = 1</code> : Write is ignored.
	Instruction fetch	0	<code>ACCVIFG = 0</code> : CPU fetches <code>03FFFh</code> . This is the <code>JMP PC</code> instruction.
Block write	Any	0	<code>ACCVIFG = 1</code> : <code>LOCK = 1</code> , block write is exited.
	Read	1	<code>ACCVIFG = 0</code> : <code>03FFFh</code> is the value read.
	Write	1	<code>ACCVIFG = 0</code> : Valid write
	Instruction fetch	1	<code>ACCVIFG = 1</code> : <code>LOCK = 1</code> , block write is exited

Interrupts are automatically disabled during any flash operation.

The watchdog timer (in watchdog mode) should be disabled before a flash erase cycle. A reset aborts the erase and the result is unpredictable. After the erase cycle has completed, the watchdog may be reenabled.

### 6.3.4 Checking Flash memory

The result of a programming cycle of the flash memory can be checked by calculating and storing a checksum (CRC) of parts and/or the complete flash memory content. The CRC module can be used for this purpose (see the device-specific data sheet). During the runtime of the system, the known checksums can be recalculated and compared with the expected values stored in the flash memory. The program checking the flash memory content is executed in RAM. To get an early indication of weak memory cells, reading the flash can be done in combination with the device-specific marginal read modes. The marginal read modes are controlled by the FCTL4.MRG0 and FCTL4.MRG1 register bits if available (device specific).

### 6.3.5 Configuring and Accessing the Flash Memory Controller

The FCTLx registers are 16-bit password-protected read/write registers. Any read or write access must use word instructions, and write accesses must include the write password 0A5h in the upper byte. Any write to any FCTLx register with a value other than 0A5h in the upper byte is a security key violation, sets the KEYV flag, and triggers a PUC system reset. Any read of any FCTLx registers reads 096h in the upper byte.

Any write to FCTL1 during an erase or byte/word/double-word write operation is an access violation and sets ACCVIFG. Writing to FCTL1 is allowed in block write mode when WAIT = 1, but writing to FCTL1 in block write mode when WAIT = 0 is an access violation and sets ACCVIFG.

Any write to FCTL2 (this register is currently not implemented) when BUSY = 1 is an access violation.

Any FCTLx register may be read when BUSY = 1. A read does not cause an access violation.

### 6.3.6 Flash Memory Controller Interrupts

The flash controller has two interrupt sources, KEYV and ACCVIFG. ACCVIFG is set when an access violation occurs. When the ACCVIE bit is reenabled after a flash write or erase, a set ACCVIFG flag generates an interrupt request. The ACCVIE bit resides in the the Special Function Register, SFR1E1 (see the *System Resets, Interrupts, and Operating Modes, System Control Module (SYS)* chapter for details). ACCVIFG sources the NMI interrupt vector, so it is not necessary for GIE to be set for ACCVIFG to request an interrupt. ACCVIFG may also be checked by software to determine if an access violation occurred. ACCVIFG must be reset by software.

The key violation flag, KEYV, is set when any of the flash control registers are written with an incorrect password. When this occurs, a PUC is generated immediately, resetting the device.

### 6.3.7 Programming Flash Memory Devices

There are three options for programming a flash device. All options support in-system programming.

- Program via JTAG
- Program via the BSL
- Program via a custom solution

#### Programming Flash Memory Via JTAG

Devices can be programmed via the JTAG port. The JTAG interface requires four signals (five signals on 20- and 28-pin devices), ground, and optionally VCC and RST/NMI.

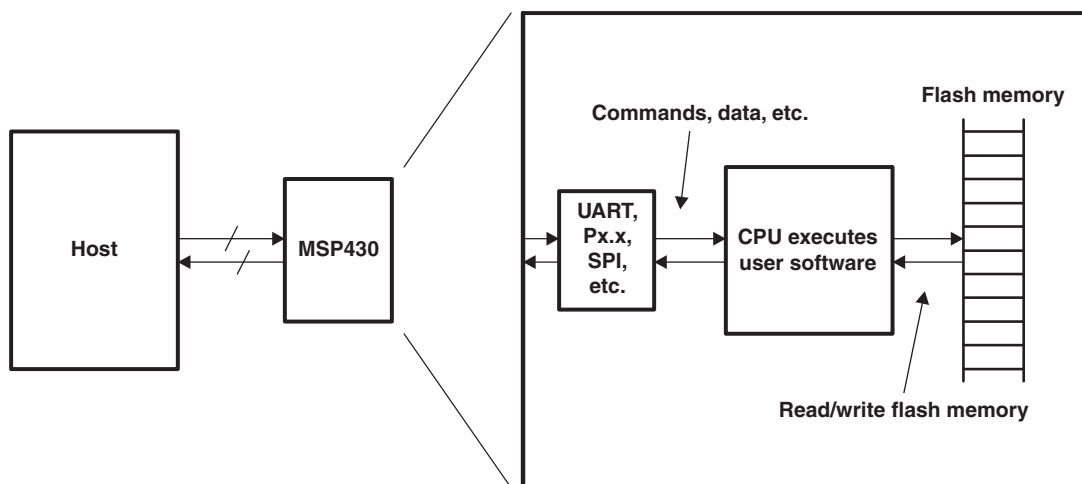
The JTAG port is protected with a fuse. Blowing the fuse completely disables the JTAG port and is not reversible. Further access to the device via JTAG is not possible. For more details see the application report *Programming a Flash-Based MSP430 Using the JTAG Interface* at [www.ti.com/msp430](http://www.ti.com/msp430).

## Programming Flash Memory Via Bootstrap Loader (BSL)

Every flash device contains a BSL. The BSL enables users to read or program the flash memory or RAM using a UART serial interface. Access to the flash memory via the BSL is protected by a 256-bit user-defined password. For more details, see the application report *Features of the MSP430 Bootstrap Loader* at [www.ti.com/msp430](http://www.ti.com/msp430).

## Programming Flash Memory Via Custom Solution

The ability of the MSP430 CPU to write to its own flash memory allows for in-system and external custom programming solutions as shown in [Figure 6-13](#). The user can choose to provide data through any means available (UART, SPI, etc.). User-developed software can receive the data and program the flash memory. Since this type of solution is developed by the user, it can be completely customized to fit the application needs for programming, erasing, or updating the flash memory.



**Figure 6-13. User-Developed Programming Solution**

## 6.4 Flash Memory Registers

The flash memory registers are listed in [Table 6-4](#). The base address can be found in the device-specific data sheet. The address offset is given in [Table 6-4](#).

---

**Note:** All registers have word or byte register access. For a generic register *ANYREG*, the suffix "\_L" (*ANYREG\_L*) refers to the lower byte of the register (bits 0 through 7). The suffix "\_H" (*ANYREG\_H*) refers to the upper byte of the register (bits 8 through 15).

---

**Table 6-4. Flash Controller Registers**

Register	Short Form	Register Type	Register Access	Address Offset	Initial State
Flash Memory Control 1	FCTL1	Read/write	Word	00h	9600h
	FCTL1_L	Read/Write	Byte	00h	00h
	FCTL1_H	Read/Write	Byte	01h	96h
Flash Memory Control 3	FCTL3	Read/write	Word	04h	9658h
	FCTL3_L	Read/Write	Byte	04h	58h
	FCTL3_H	Read/Write	Byte	05h	96h
Flash Memory Control 4	FCTL4	Read/write	Word	06h	9600h
	FCTL4_L	Read/Write	Byte	06h	00h
	FCTL4_H	Read/Write	Byte	07h	96h

**Flash Memory Control 1 Register (FCTL1)**

15	14	13	12	11	10	9	8
<b>FRKEY, Read as 096h FWKEY, Must be written as 0A5h</b>							
7	6	5	4	3	2	1	0
<b>BLKWRT</b>	<b>WRT</b>	<b>SWRT</b>	<b>Reserved</b>	<b>Reserved</b>	<b>MERAS</b>	<b>ERASE</b>	<b>Reserved</b>
rw-0	rw-0	rw-0	r-0	r-0	rw-0	rw-0	r-0

**FRKEY/FWKEY** Bits 15–8 FCTL password. Always read as 096h. Must be written as 0A5h or a PUC is generated.

**BLKWRT** Bit 7 See following table

**WRT** Bit 6 See following table

<b>BLKWRT</b>	<b>WRT</b>	<b>Write Mode</b>
0	1	Byte/word write
1	0	Long-word write
1	1	Long-word block write

**SWRT** Bit 5 Smart write. If this bit is set, the program time is shortened. The programming quality has to be checked by marginal read modes.

**Reserved** Bits 4-3 Reserved. Must be written to 0. Always read 0.

**MERAS** Bit 2 Mass erase and erase. These bits are used together to select the erase mode. MERAS and ERASE are automatically reset when a flash erase operation has completed.

**ERASE** Bit 1

<b>MERAS</b>	<b>ERASE</b>	<b>Erase Cycle</b>
0	0	No erase
0	1	Segment erase
1	0	Bank erase (of one bank)
1	1	Mass erase (Erase all flash memory banks)

**Reserved** Bit 0 Reserved. Always read 0.

**Flash Memory Control 3 Register (FCTL3)**

15	14	13	12	11	10	9	8
<b>FWKEY, Read as 096h Must be written as 0A5h</b>							
7	6	5	4	3	2	1	0
<b>Reserved</b>	<b>LOCKA</b>	<b>Reserved</b>	<b>LOCK</b>	<b>WAIT</b>	<b>ACCVIFG</b>	<b>KEYV</b>	<b>BUSY</b>
r-0	rw-1	rw-0	rw-1	r-1	rw-0	rw-(0)	rw-0

<b>FWKEY</b>	Bits 15–8	FCTLx password. Always read as 096h. Must be written as 0A5h or a PUC is generated.
<b>Reserved</b>	Bit 7	Reserved. Always read 0.
<b>LOCKA</b>	Bit 6	Segment A lock. Write a 1 to this bit to change its state. Writing 0 has no effect. 0 Segment A, B, C, D are unlocked. and are erased during a mass erase. 1 Segment A of the information memory is write protected. Segment B, C, and D are protected from all erase.
<b>Reserved</b>	Bit 5	Reserved. Must be written with 0.
<b>LOCK</b>	Bit 4	Lock. This bit unlocks the flash memory for writing or erasing. The LOCK bit can be set any time during a byte/word write or erase operation, and the operation completes normally. In the block write mode, if the LOCK bit is set while BLKWRT = WAIT = 1, BLKWRT and WAIT are reset and the mode ends normally. 0 Unlocked 1 Locked
<b>WAIT</b>	Bit 3	Wait. Indicates the flash memory is being written to. 0 Flash memory is not ready for the next byte/word write. 1 Flash memory is ready for the next byte/word write.
<b>ACCVIFG</b>	Bit 2	Access violation interrupt flag 0 No interrupt pending 1 Interrupt pending
<b>KEYV</b>	Bit 1	Flash security key violation. This bit indicates an incorrect FCTLx password was written to any flash control register and generates a PUC when set. KEYV must be reset with software. 0 FCTLx password was written correctly. 1 FCTLx password was written incorrectly.
<b>BUSY</b>	Bit 0	Busy. This bit indicates if the flash is currently busy erasing or programming. 0 Not busy 1 Busy

**Flash Memory Control 4 Register (FCTL4)**

15	14	13	12	11	10	9	8
<b>FWKEY, Read as 096h Must be written as 0A5h</b>							
7	6	5	4	3	2	1	0
<b>LOCKINFO</b>	<b>Reserved</b>	<b>MRG1</b>	<b>MRG0</b>	<b>Reserved</b>			<b>VPE</b>
rw-0	r-0	rw-0	rw-0	r-0	r-0	r-0	rw-0

<b>FWKEY</b>	Bits 15–8	FCTLx password. Always read as 096h. Must be written as 0A5h or a PUC is generated.
<b>LOCKINFO</b>	Bit 7	Lock information memory. If set, the information memory cannot be erased in segment erase mode and cannot be written to.
<b>Reserved</b>	Bit 6	Reserved. Always read as 0.
<b>MRG1</b>	Bit 5	Marginal read 1 mode. This bit enables the marginal 1 read mode. The marginal read 1 bit is valid for reads from the flash memory only. During a fetch cycle, the marginal mode is turned off automatically. If both MRG1 and MRG0 are set, MRG1 is active and MRG0 is ignored. 0 Marginal 1 read mode is disabled. 1 Marginal 1 read mode is enabled.
<b>MRG0</b>	Bit 4	Marginal read 0 mode. This bit enables the marginal 0 read mode. The marginal read 1 bit is valid for reads from the flash memory only. During a fetch cycle, the marginal mode is turned off automatically. If both MRG1 and MRG0 are set, MRG1 is active and MRG0 is ignored. 0 Marginal 0 read mode is disabled. 1 Marginal 0 read mode is enabled.
<b>Reserved</b>	Bits 3–1	Reserved. Always read as 0.
<b>VPE</b>	Bit 0	Voltage changed during program error. This bit is set by hardware and can only be cleared by software. If DVCC changed significantly during programming, this bit is set to indicate an invalid result. The ACCVIFG bit is set if VPE is set.

**Interrupt Enable 1 Register (SFRIE1, SFRIE1\_L, SFRIE1\_H)**

15	14	13	12	11	10	9	8
7	6	5	4	3	2	1	0
		<b>ACCVIE</b>					
		rw-0					

	Bits 15–6, 4–0	These bits may be used by other modules (see the device-specific data sheet and SYS chapter for details).
<b>ACCVIE</b>	Bit 5	Flash memory access violation interrupt enable. This bit enables the ACCVIFG interrupt. Because other bits in SFRIE1 may be used for other modules, it is recommended to set or clear this bit using <code>BIS.B</code> or <code>BIC.B</code> instructions, rather than <code>MOV.B</code> or <code>CLR.B</code> instructions. See the <i>System Resets, Interrupts, and Operating Modes, System Control Module (SYS)</i> chapter for more details. 0 Interrupt not enabled 1 Interrupt enabled





## RAM Controller

---

---

---

The RAM controller (RAMCTL) allows control of the operation of the RAM.

Topic	Page
7.1 Ram Controller (RAMCTL) Introduction.....	282
7.2 RAMCTL Operation.....	282
7.3 RAMCTL Module Registers.....	283

## 7.1 Ram Controller (RAMCTL) Introduction

The RAMCTL provides access to the different power modes of the RAM. The RAMCTL allows the ability to reduce the leakage current while the CPU is off. The RAM can also be switched off. In retention mode, the RAM content is saved while the RAM content is lost in off mode. The RAM is partitioned in sectors, typically of 4KB (sector) size. See the device-specific data sheet for actual block allocation and size. Each sector is controlled by the RAM controller RAM Sector Off control bit (RCRSyOFF) of the RAMCTL Control 0 register (RCCTL0). The RCCTL0 register is password protected. Only if the correct password is written during a word write, the RCCTL0 register content can be modified. Byte write accesses or write accesses with a wrong password are ignored.

## 7.2 RAMCTL Operation

### Active mode

In active mode, the RAM can be read and written at any time. If a RAM address of a sector must hold data, the whole sector cannot be switched off.

### Low-power modes

In all low-power modes, the CPU is switched off. As soon as the CPU is switched off, the RAM enters retention mode to reduce the leakage current.

### RAM off mode

Each sector can be turned off independently of each other by setting the respective RCRSyOFF bit to 1. Reading from a switched off RAM sector returns 0 as data. All data previously stored into a switched off RAM sector is lost and cannot be read, even if the sector is turned on again.

### Stack pointer

The program stack is located in RAM. Sectors holding the stack must not be turned off if an interrupt has to be executed, or a low-power mode is entered.

### USB buffer memory

On devices with USB, the USB buffer memory is located in RAM. Sector 7 is used for this purpose. RCRS7OFF can be set to switch off this memory if it is not required for USB operation or is not being utilized in normal operation.

### 7.3 RAMCTL Module Registers

The RAMCTL module register is listed in [Table 7-1](#). The base address can be found in the device-specific data sheet. The address offset is given in [Table 7-1](#).

---

**Note:** All registers have word or byte register access. For a generic register *ANYREG*, the suffix "\_L" (*ANYREG\_L*) refers to the lower byte of the register (bits 0 through 7). The suffix "\_H" (*ANYREG\_H*) refers to the upper byte of the register (bits 8 through 15).

---

**Table 7-1. RAMCTL Module Register**

Register	Short Form	Register Type	Register Access	Address Offset	Initial State
RAM Controller Control 0	RCCTL0	Read/write	Word	00h	6900h
	RCCTL0_L	Read/write	Byte	00h	00h
	RCCTL0_H	Read/write	Byte	01h	69h

**RAM Controller Control 0 Register (RCCTL0)**

15	14	13	12	11	10	9	8
<b>RCKEY</b> Always reads as 69h Must be written as 5Ah							
rw-0	rw-1	rw-1	rw-0	rw-1	rw-0	rw-0	rw-1
7	6	5	4	3	2	1	0
<b>RCRS7OFF</b>	<b>Reserved</b>			<b>RCRS3OFF</b>	<b>RCRS2OFF</b>	<b>RCRS1OFF</b>	<b>RCRS0OFF</b>
rw-0	r-0	r-0	r-0	rw-0	rw-0	rw-0	rw-0

<b>RCKEY</b>	Bits 15-8	RAM controller key. Always read as 69h. Must be written as 5Ah, otherwise the RAMCTL write is ignored.
<b>RCRS7OFF</b>	Bit 7	RAM controller RAM sector 7 off. Setting the bit to 1 turns off the RAM sector 7. All data of the RAM sector 7 is lost. On devices with USB, this sector is also used as USB buffer memory. See the device-specific data sheet to find the address range and size of each RAM sector.
<b>Reserved</b>	Bits 6-4	Reserved. Always read as 0.
<b>RCRSyOFF</b>	Bits 3-0	RAM controller RAM sector y off. Setting the bit to 1 turns off the RAM sector y. All data of the RAM sector y is lost. See the device-specific data sheet to find the address range and size of each RAM sector.



## Digital I/O

---

---

---

This chapter describes the operation of the digital I/O ports in all devices.

Topic	Page
8.1 Digital I/O Introduction .....	286
8.2 Digital I/O Operation .....	287
8.3 Digital I/O Registers .....	291

## 8.1 Digital I/O Introduction

Devices within the family may have up to 12 digital I/O ports implemented (P1 to P11 and PJ). Most ports have eight I/O pins, however, some ports may contain less (see the device-specific data sheet for ports available). Each I/O pin is individually configurable for input or output direction, and each I/O line can be individually read or written to. All ports have individually configurable pullup or pulldown resistors, as well as configurable drive strength.

Ports P1 and P2 always have interrupt capability. Each interrupt for the P1 and P2 I/O lines can be individually enabled and configured to provide an interrupt on a rising edge or falling edge of an input signal. All P1 I/O lines source a single interrupt vector P1IV, and all P2 I/O lines source a different, single interrupt vector P2IV. On some devices, additional ports with interrupt capability may be available (see the device-specific data sheet for details).

Individual ports can be accessed as byte-wide ports or can be combined into word-wide ports and accessed via word formats. Port pairs P1/P2, P3/P4, P5/P6, P7/P8, etc., are associated with the names PA, PB, PC, PD, etc., respectively. When writing to port PA with word operations, all 16 bits are written to the port. Writing to the lower byte of the PA port using byte operations, the upper byte remains unchanged. Similarly, writing to the upper byte of the PA port using byte instructions leaves the lower byte unchanged (similarly for other ports). Writing to a port that contains less than the maximum number of bits possible, the unused bits are a "don't care". All port registers are handled in this manner with this naming convention except for the interrupt vector registers, P1IV and P2IV. These are word accessible only, and PAIV does not exist.

Reading of the PA port using word operations causes all 16 bits to be transferred to the destination. Reading the lower or upper byte of the PA port (P1 or P2) and storing to memory using byte operations causes only the lower or upper byte to be transferred to the destination, respectively. Reading of the PA port and storing to a general-purpose register using byte operations causes the byte transferred to be written to the least significant byte of the register. The upper significant byte of the destination register will be cleared automatically. Ports PB, PC, PD, and PE behave similarly. When reading from ports that contain less than the maximum bits possible, unused bits are read as zeros (similarly for port PJ).

The digital I/O features include:

- Independently programmable individual I/Os
- Any combination of input or output
- Individually configurable P1 and P2 interrupts
- Independent input and output data registers
- Individually configurable pullup or pulldown resistors

## 8.2 Digital I/O Operation

The digital I/O is configured with user software. The setup and operation of the digital I/O is discussed in the following sections.

### 8.2.1 Input Registers PxIN

Each bit in each PxIN register reflects the value of the input signal at the corresponding I/O pin when the pin is configured as I/O function. These registers are read only.

- Bit = 0: Input is low
- Bit = 1: Input is high

---

**Note: Writing to read-only registers PxIN**

Writing to these read-only registers results in increased current consumption while the write attempt is active.

---

### 8.2.2 Output Registers PxOUT

Each bit in each PxOUT register is the value to be output on the corresponding I/O pin when the pin is configured as I/O function, output direction.

- Bit = 0: Output is low
- Bit = 1: Output is high

If the pin is configured as I/O function, input direction and the pullup/pulldown resistor is enabled; the corresponding bit in the PxOUT register selects pullup or pulldown.

- Bit = 0: Pin is pulled down
- Bit = 1: Pin is pulled up

### 8.2.3 Direction Registers PxDIR

Each bit in each PxDIR register selects the direction of the corresponding I/O pin, regardless of the selected function for the pin. PxDIR bits for I/O pins that are selected for other functions must be set as required by the other function.

- Bit = 0: Port pin is switched to input direction
- Bit = 1: Port pin is switched to output direction

### 8.2.4 Pullup/Pulldown Resistor Enable Registers PxREN

Each bit in each PxREN register enables or disables the pullup/pulldown resistor of the corresponding I/O pin. The corresponding bit in the PxOUT register selects if the pin is pulled up or pulled down.

- Bit = 0: Pullup/pulldown resistor disabled
- Bit = 1: Pullup/pulldown resistor enabled

[Table 8-1](#) summarizes the usage of PxDIRx, PxRENx, and PxOUTx for proper I/O configuration.

**Table 8-1. I/O Configuration**

PxDIRx	PxRENx	PxOUTx	I/O Configuration
0	0	x	Input
0	1	0	Input with pulldown resistor
0	1	1	Input with pullup resistor
1	x	x	Output

### 8.2.5 Output Drive Strength Registers PxDS

Each bit in each PxDS register selects either full drive or reduced drive strength. Default is reduced drive strength.

- Bit = 0: Reduced drive strength
- Bit = 1: Full drive strength

---

**Note: Drive strength and EMI**

All outputs default to reduced drive strength to reduce EMI. Using full drive strength can result in increased EMI.

---

### 8.2.6 Function Select Registers PxSEL

Port pins are often multiplexed with other peripheral module functions. See the device-specific data sheet to determine pin functions. Each PxSELx bit is used to select the pin function – I/O port or peripheral module function.

- Bit = 0: I/O Function is selected for the pin
- Bit = 1: Peripheral module function is selected for the pin

Setting PxSELx = 1 does not automatically set the pin direction. Other peripheral module functions may require the PxDIRx bits to be configured according to the direction needed for the module function. See the pin schematics in the device-specific data sheet.

---

**Note: P1 and P2 interrupts are disabled when PxSEL = 1**

When any PxSEL bit is set, the corresponding pin's interrupt function is disabled. Therefore, signals on these pins will not generate P1 or P2 interrupts, regardless of the state of the corresponding P1IE or P2IE bit.

---

When a port pin is selected as an input to a peripheral, the input signal to the peripheral is a latched representation of the signal at the device pin. While PxSELx = 1, the internal input signal follows the signal at the pin. However, if the PxSELx = 0, the input to the peripheral maintains the value of the input signal at the device pin before the PxSELx bit was reset.

### 8.2.7 P1 and P2 Interrupts

Each pin in ports P1 and P2 have interrupt capability, configured with the PxIFG, PxIE, and PxIES registers. All P1 interrupt flags are prioritized, with P1IFG.0 being the highest, and combined to source a single interrupt vector. The highest priority enabled interrupt generates a number in the P1IV register. This number can be evaluated or added to the program counter to automatically enter the appropriate software routine. Disabled P1 interrupts do not affect the P1IV value. The same functionality exists for P2. The PxIV registers are word access only.

Each PxIFGx bit is the interrupt flag for its corresponding I/O pin and is set when the selected input signal edge occurs at the pin. All PxIFGx interrupt flags request an interrupt when their corresponding PxIE bit and the GIE bit are set. Software can also set each PxIFG flag, providing a way to generate a software-initiated interrupt.

- Bit = 0: No interrupt is pending
- Bit = 1: An interrupt is pending

Only transitions, not static levels, cause interrupts. If any PxIFGx flag becomes set during a Px interrupt service routine, or is set after the RETI instruction of a Px interrupt service routine is executed, the set PxIFGx flag generates another interrupt. This ensures that each transition is acknowledged.



**Note: P1IFG flags when changing PxOUT, PxDIR, or PxREN**

Writing to P1OUT, P1DIR, P1REN, P2OUT, P2DIR, or P2REN can result in setting the corresponding P1IFG or P2IFG flags.

Any access (read or write) of the P1IV register automatically resets the highest pending interrupt flag. If another interrupt flag is set, another interrupt is immediately generated after servicing the initial interrupt. For example, assume that P1IFG.0 has the highest priority. If the P1IFG.0 and P1IFG.2 flags are set when the interrupt service routine accesses the P1IV register, P1IFG.0 is reset automatically. After the RETI instruction of the interrupt service routine is executed, the P1IFG.2 will generate another interrupt.

Port P2 interrupts behave similarly, and source a separate single interrupt vector and utilize the P2IV register.

**P1IV, P2IV Software Example**

The following software example shows the recommended use of P1IV and the handling overhead. The P1IV value is added to the PC to automatically jump to the appropriate routine. The P2IV is similar.

The numbers at the right margin show the necessary CPU cycles for each instruction. The software overhead for different interrupt sources includes interrupt latency and return-from-interrupt cycles, but not the task handling itself.

```

;Interrupt handler for P1IFGx
P1_HND      ...      ; Interrupt latency      Cycles
            ADD      &P1IV,PC      ; Add offset to Jump table      6
            RETI     ; Vector 0: No interrupt      3
            JMP      P1_0_HND      ; Vector 2: Port 1 bit 0      5
            JMP      P1_1_HND      ; Vector 4: Port 1 bit 1      2
            JMP      P1_2_HND      ; Vector 6: Port 1 bit 2      2
            JMP      P1_3_HND      ; Vector 8: Port 1 bit 3      2
            JMP      P1_4_HND      ; Vector 10: Port 1 bit 4     2
            JMP      P1_5_HND      ; Vector 12: Port 1 bit 5     2
            JMP      P1_6_HND      ; Vector 14: Port 1 bit 6     2
            JMP      P1_7_HND      ; Vector 16: Port 1 bit 7     2

P1_7_HND    ...      ; Vector 16: Port 1 bit 7
            RETI     ; Task starts here
            RETI     ; Back to main program      5

P1_6_HND    ...      ; Vector 14: Port 1 bit 6
            RETI     ; Task starts here
            RETI     ; Back to main program      5

P1_5_HND    ...      ; Vector 12: Port 1 bit 5
            RETI     ; Task starts here
            RETI     ; Back to main program      5

P1_4_HND    ...      ; Vector 10: Port 1 bit 4
            RETI     ; Task starts here
            RETI     ; Back to main program      5

P1_3_HND    ...      ; Vector 8: Port 1 bit 3
            RETI     ; Task starts here
            RETI     ; Back to main program      5

P1_2_HND    ...      ; Vector 6: Port 1 bit 2
            RETI     ; Task starts here
            RETI     ; Back to main program      5

P1_1_HND    ...      ; Vector 4: Port 1 bit 1
            RETI     ; Task starts here
            RETI     ; Back to main program      5

P1_0_HND    ...      ; Vector 2: Port 1 bit 0
            RETI     ; Task starts here
            RETI     ; Back to main program      5

```

## Interrupt Edge Select Registers P1IES, P2IES

Each PxIES bit selects the interrupt edge for the corresponding I/O pin.

- Bit = 0: PxIFGx flag is set with a low-to-high transition
- Bit = 1: PxIFGx flag is set with a high-to-low transition

---

**Note: Writing to PxIESx**

Writing to P1IES or P2IES can result in setting the corresponding interrupt flags.

PxIESx	PxINx	PxIFGx
0 → 1	0	May be set
0 → 1	1	Unchanged
1 → 0	0	Unchanged
1 → 0	1	May be set

---

## Interrupt Enable P1IE, P2IE

Each PxIE bit enables the associated PxIFG interrupt flag.

- Bit = 0: The interrupt is disabled
- Bit = 1: The interrupt is enabled

### 8.2.8 Configuring Unused Port Pins

Unused I/O pins should be configured as I/O function, output direction, and left unconnected on the PC board, to prevent a floating input and reduce power consumption. The value of the PxOUT bit is don't care, since the pin is unconnected. Alternatively, the integrated pullup/pulldown resistor can be enabled by setting the PxREN bit of the unused pin to prevent the floating input. See chapter *System Resets, Interrupts, and Operating Modes* for termination of unused pins.

---

**Note: Configuring port J and shared JTAG pins:**

It is important to remember in the application to take special precautions to ensure that the port J is configured properly to prevent any floating input. Since port PJ is shared with the JTAG function, floating inputs may not be noticed when in an emulation environment. Port J is initialized to high-impedance inputs by default.

---

### 8.3 Digital I/O Registers

The digital I/O registers are listed in [Table 8-2](#). The base addresses can be found in the device-specific data sheet. Each port grouping begins at its base address. The address offsets are given in [Table 8-2](#).

**Table 8-2. Digital I/O Registers**

Port	Register	Short Form	Address Offset	Register Type	Initial State
Port 1	Interrupt Vector	P1IV	0Eh	Read only	0000h
Port 2	Interrupt Vector	P2IV	1Eh	Read only	0000h
Port 1	Input	P1IN	00h	Read only	
	Output	P1OUT	02h	Read/write	Unchanged
	Direction	P1DIR	04h	Read/write	00h
	Resistor Enable	P1REN	06h	Read/write	00h
	Drive Strength	P1DS	08h	Read/write	00h
	Port Select	P1SEL	0Ah	Read/write	00h
	Interrupt Edge Select	P1IES	18h	Read/write	Unchanged
	Interrupt Enable	P1IE	1Ah	Read/write	00h
	Interrupt Flag	P1IFG	1Ch	Read/write	00h
Port 2	Input	P2IN	01h	Read only	
	Output	P2OUT	03h	Read/write	Unchanged
	Direction	P2DIR	05h	Read/write	00h
	Resistor Enable	P2REN	07h	Read/write	00h
	Drive Strength	P2DS	09h	Read/write	00h
	Port Select	P2SEL	0Bh	Read/write	00h
	Interrupt Edge Select	P2IES	19h	Read/write	Unchanged
	Interrupt Enable	P2IE	1Bh	Read/write	00h
	Interrupt Flag	P2IFG	1Dh	Read/write	00h
Port 3	Input	P3IN	00h	Read only	
	Output	P3OUT	02h	Read/write	Unchanged
	Direction	P3DIR	04h	Read/write	00h
	Resistor Enable	P3REN	06h	Read/write	00h
	Drive Strength	P3DS	08h	Read/write	00h
	Port Select	P3SEL	0Ah	Read/write	00h
Port 4	Input	P4IN	01h	Read only	
	Output	P4OUT	03h	Read/write	Unchanged
	Direction	P4DIR	05h	Read/write	00h
	Resistor Enable	P4REN	07h	Read/write	00h
	Drive Strength	P4DS	09h	Read/write	00h
	Port Select	P4SEL	0Bh	Read/write	00h
Port 5	Input	P5IN	00h	Read only	
	Output	P5OUT	02h	Read/write	Unchanged
	Direction	P5DIR	04h	Read/write	00h
	Resistor Enable	P5REN	06h	Read/write	00h
	Drive Strength	P5DS	08h	Read/write	00h
	Port Select	P5SEL	0Ah	Read/write	00h

**Table 8-2. Digital I/O Registers (continued)**

Port	Register	Short Form	Address Offset	Register Type	Initial State
Port 6	Input	P6IN	01h	Read only	
	Output	P6OUT	03h	Read/write	Unchanged
	Direction	P6DIR	05h	Read/write	00h
	Resistor Enable	P6REN	07h	Read/write	00h
	Drive Strength	P6DS	09h	Read/write	00h
	Port Select	P6SEL	0Bh	Read/write	00h
Port 7	Input	P7IN	00h	Read only	
	Output	P7OUT	02h	Read/write	Unchanged
	Direction	P7DIR	04h	Read/write	00h
	Resistor Enable	P7REN	06h	Read/write	00h
	Drive Strength	P7DS	08h	Read/write	00h
	Port Select	P7SEL	0Ah	Read/write	00h
Port 8	Input	P8IN	01h	Read only	
	Output	P8OUT	03h	Read/write	Unchanged
	Direction	P8DIR	05h	Read/write	00h
	Resistor Enable	P8REN	07h	Read/write	00h
	Drive Strength	P8DS	09h	Read/write	00h
	Port Select	P8SEL	0Bh	Read/write	00h
Port 9	Input	P9IN	00h	Read only	
	Output	P9OUT	02h	Read/write	Unchanged
	Direction	P9DIR	04h	Read/write	00h
	Resistor Enable	P9REN	06h	Read/write	00h
	Drive Strength	P9DS	08h	Read/write	00h
	Port Select	P9SEL	0Ah	Read/write	00h
Port 10	Input	P10IN	01h	Read only	
	Output	P10OUT	03h	Read/write	Unchanged
	Direction	P10DIR	05h	Read/write	00h
	Resistor Enable	P10REN	07h	Read/write	00h
	Drive Strength	P10DS	09h	Read/write	00h
	Port Select	P10SEL	0Bh	Read/write	00h
Port 11	Input	P11IN	00h	Read only	
	Output	P11OUT	02h	Read/write	Unchanged
	Direction	P11DIR	04h	Read/write	00h
	Resistor Enable	P11REN	06h	Read/write	00h
	Drive Strength	P11DS	08h	Read/write	00h
	Port Select	P11SEL	0Ah	Read/write	00h
Port J	Input	PJIN	00h	Read only	
	Output	PJOUT	02h	Read/write	Unchanged
	Direction	PJDIR	04h	Read/write	00h
	Resistor Enable	PJREN	06h	Read/write	00h
	Drive Strength	PJDS	08h	Read/write	00h

**Port 1 Interrupt Vector Register (P1IV)**

15	14	13	12	11	10	9	8	
0	0	0	0	0	0	0	0	
r0	r0	r0	r0	r0	r0	r0	r0	
7	6	5	4	3	2	1	0	
0	0	<b>P1IVx</b>						0
r0	r0	r0	r-0	r-0	r-0	r-0	r0	

**P1IVx** Bits 15-0 Port 1 interrupt vector value

P1IVx Contents	Interrupt Source	Interrupt Flag	Interrupt Priority
00h	No interrupt pending		
02h	Port 1.0 interrupt	P1IFG.0	Highest
04h	Port 1.1 interrupt	P1IFG.1	
06h	Port 1.2 interrupt	P1IFG.2	
08h	Port 1.3 interrupt	P1IFG.3	
0Ah	Port 1.4 interrupt	P1IFG.4	
0Ch	Port 1.5 interrupt	P1IFG.5	
0Eh	Port 1.6 interrupt	P1IFG.6	
10h	Port 1.7 interrupt	P1IFG.7	Lowest

**Port 2 Interrupt Vector Register (P2IV)**

15	14	13	12	11	10	9	8	
0	0	0	0	0	0	0	0	
r0	r0	r0	r0	r0	r0	r0	r0	
7	6	5	4	3	2	1	0	
0	0	<b>P2IVx</b>						0
r0	r0	r0	r-0	r-0	r-0	r-0	r0	

**P2IVx** Bits 15-0 Port 2 interrupt vector value

P2IVx Contents	Interrupt Source	Interrupt Flag	Interrupt Priority
00h	No interrupt pending		
02h	Port 2.0 interrupt	P2IFG.0	Highest
04h	Port 2.1 interrupt	P2IFG.1	
06h	Port 2.2 interrupt	P2IFG.2	
08h	Port 2.3 interrupt	P2IFG.3	
0Ah	Port 2.4 interrupt	P2IFG.4	
0Ch	Port 2.5 interrupt	P2IFG.5	
0Eh	Port 2.6 interrupt	P2IFG.6	
10h	Port 2.7 interrupt	P2IFG.7	Lowest

**Port 1 Interrupt Edge Select Register (P1IES)**

7	6	5	4	3	2	1	0
<b>P1IES</b>							
rw	rw	rw	rw	rw	rw	rw	rw

**P1IES**      Bits 7-0      Port 1 interrupt edge select  
 0   P1IFGx flag is set with a low-to-high transition.  
 1   P1IFGx flag is set with a high-to-low transition.

**Port 1 Interrupt Enable Register (P1IE)**

7	6	5	4	3	2	1	0
<b>P1IE</b>							
rw-0	rw-0	rw-0	rw-0	rw-0	rw-0	rw-0	rw-0

**P1IE**      Bits 7-0      Port 1 interrupt enable  
 0   Corresponding port interrupt disabled  
 1   Corresponding port interrupt enabled

**Port 1 Interrupt Flag Register (P1IFG)**

7	6	5	4	3	2	1	0
<b>P1IFG</b>							
rw-0	rw-0	rw-0	rw-0	rw-0	rw-0	rw-0	rw-0

**P1IFG**      Bits 7-0      Port 1 interrupt flag  
 0   No interrupt is pending.  
 1   Interrupt is pending.

**Port 2 Interrupt Edge Select Register (P2IES)**

7	6	5	4	3	2	1	0
<b>P2IES</b>							
rw	rw	rw	rw	rw	rw	rw	rw

**P2IES**      Bits 7-0      Port 2 interrupt edge select  
 0   P2IFGx flag is set with a low-to-high transition.  
 1   P2IFGx flag is set with a high-to-low transition.

**Port 2 Interrupt Enable Register (P2IE)**

7	6	5	4	3	2	1	0
<b>P2IE</b>							
rw-0	rw-0	rw-0	rw-0	rw-0	rw-0	rw-0	rw-0

**P2IE**      Bits 7-0      Port 2 interrupt enable  
 0   Corresponding port interrupt disabled  
 1   Corresponding port interrupt enabled

**Port 2 Interrupt Flag Register (P2IFG)**

7	6	5	4	3	2	1	0
<b>P2IFG</b>							
rw-0	rw-0	rw-0	rw-0	rw-0	rw-0	rw-0	rw-0

**P2IFG**      Bits 7-0      Port 2 interrupt flag  
 0   No interrupt is pending.  
 1   Interrupt is pending.

**Port x Input Register (PxIN)**

7	6	5	4	3	2	1	0
<b>PxIN</b>							
r	r	r	r	r	r	r	r

**PxIN**      Bits 7-0      Port x input. Read only.

**Port x Output Register (PxOUT)**

7	6	5	4	3	2	1	0
<b>PxOUT</b>							
rw	rw	rw	rw	rw	rw	rw	rw

**PxOUT**      Bits 7-0      Port x output  
 When I/O configured to output mode:  
 0   Output is low.  
 1   Output is high.  
 When I/O configured to input mode and pullups/pulldowns enabled:  
 0   Pulldown selected  
 1   Pullup selected

**Port x Direction Register (PxDIR)**

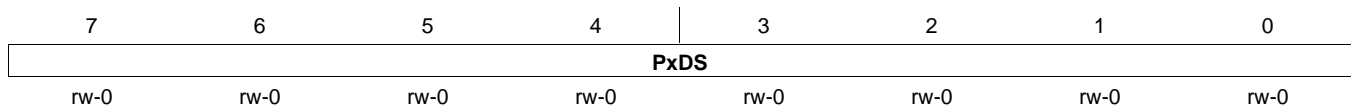
7	6	5	4	3	2	1	0
<b>PxDIR</b>							
rw-0	rw-0	rw-0	rw-0	rw-0	rw-0	rw-0	rw-0

**PxDIR**      Bits 7-0      Port x direction  
 0   Port configured as input  
 1   Port configured as output

**Port x Resistor Enable Register (PxREN)**

7	6	5	4	3	2	1	0
<b>PxREN</b>							
rw-0	rw-0	rw-0	rw-0	rw-0	rw-0	rw-0	rw-0

**PxREN**      Bits 7-0      Port x pullup/pulldown resistor enable  
 0   Pullup/pulldown disabled  
 1   Pullup/pulldown enabled

**Port x Drive Strength Register (PxDS)**

**PxDS**      Bits 7-0      Port x drive strength

0    Reduced output drive strength

1    Full output drive strength



## ***Port Mapping Controller***

---

---

---

The port mapping controller allows a flexible mapping of digital functions to port pins. This chapter describes the port mapping controller.

<b>Topic</b>	<b>Page</b>
<b>9.1 Port Mapping Controller Introduction.....</b>	<b>298</b>
<b>9.2 Port Mapping Controller Operation .....</b>	<b>298</b>
<b>9.3 Port Mapping Controller Registers .....</b>	<b>302</b>

## 9.1 Port Mapping Controller Introduction

The port mapping controller allows the flexible and reconfigurable mapping of digital functions to port pins.

The port mapping controller features are:

- Configuration protected by password.
- Default mapping provided for each port pin (device-dependent, the device pinout in the device-specific data sheet).
- Mapping can be reconfigured during runtime.
- Each output signal can be mapped to several output pins.

## 9.2 Port Mapping Controller Operation

The port mapping is configured with user software. The setup is discussed in the following sections.

### 9.2.1 Access

To enable write access to any of the port mapping controller registers, the correct password must be written into the PMAPPWD register. The PMAPPWD register always reads 096A5h. Writing the password 02D52h grants write access to all port mapping controller registers. Read access is always possible.

If an invalid password is written while write access is granted, any further write accesses are prevented. It is recommended that the application complete mapping configuration by writing an invalid password.

There is a timeout counter implemented that is incremented with each (assembler) instruction, and when it counts to 32, the write access is locked again. Any access to the port mapping controller registers resets the counter. Interrupts should be disabled during the configuration process or the application should take precautions that the execution of an interrupt service routine does not accidentally cause a permanent lock of the port mapping registers; e.g., by using the reconfiguration capability (see below).

The access status is reflected in the PMAPLOCK bit.

By default, the port mapping controller allows only one configuration after PUC. A second attempt to enable write access by writing the correct password is ignored, and the registers remain locked. A PUC is required to disable the permanent lock again. If it is necessary to reconfigure the mapping during runtime, the PMAPRECFG bit must be set during the first write access timeslot. If PMAPRECFG is cleared during later configuration sessions, no more configuration sessions are possible.

### 9.2.2 Mapping

For each port pin, Px.y, on ports providing the mapping functionality, a mapping register, PxMAPy, is available. Setting this register to a certain value maps a module's input and output signals to the respective port pin Px.y. The port pin itself is switched from a general purpose I/O to the selected peripheral/secondary function by setting the corresponding PxSEL.y bit to 1. If the input or the output function of the module is used, it is typically defined by the setting the PxDIR.y bit. If PxDIR.y = 0, the pin is an input, if PxDIR.y = 1, the pin is an output. There are also peripherals (e.g., the USCI module) that control the direction or even other functions of the pin (e.g., open drain), and these options are documented in the mapping table.

The mapping is device-dependent; see the device-specific data sheet for available functions and specific values. Use mapping-mnemonics to abstract the underlying PxMAPy values is recommended, to allow simple portability between different devices. [Table 9-1](#) shows some examples for mapping mnemonics of some common peripherals.

All mappable port pins provide the function PM\_ANALOG (0FFh). Setting the port mapping register PxMAPy of a port pin Px.y to PM\_ANALOG together with PxSEL.y = 1 disables the output driver and the input Schmitt-trigger, to prevent parasitic cross currents when applying analog signals.

**Table 9-1. Examples for Port Mapping Mnemonics and Functions**

PxMAPy Mnemonic	Input Pin Function With PxSEL.y = 1 and PxDIR.y = 0	Output Pin Function With PxSEL.y = 1 and PxDIR.y = 1
PM_NONE	None	DVSS
PM_ACLK	None	ACLK
PM_MCLK	None	MCLK
PM_SMCLK	None	SMCLK
PM_TA0CLK	Timer_A0 clock input	DVSS
PM_TA0CCR0A	Timer_A0 CCR0 capture input CCI0A	TA0 CCR0 compare output Out0
PM_TA0CCR1A	Timer_A0 CCR1 capture input CCI1A	TA0 CCR1 compare output Out1
PM_TA0CCR2A	Timer_A0 CCR2 capture input CCI2A	TA0 CCR2 compare output Out2
PM_TA0CCR3A	Timer_A0 CCR3 capture input CCI3A	TA0 CCR3 compare output Out3
PM_TA0CCR4A	Timer_A0 CCR4 capture input CCI4A	TA0 CCR4 compare output Out4
PM_TA1CLK	Timer_A1 clock input	DVSS
PM_TA1CCR0A	Timer_A1 CCR0 capture input CCI0A	TA1 CCR0 compare output Out0
PM_TA1CCR1A	Timer_A1 CCR1 capture input CCI1A	TA1 CCR1 compare output Out1
PM_TA1CCR2A	Timer_A1 CCR2 capture input CCI2A	TA1 CCR2 compare output Out2
PM_TBCLK	Timer_B clock input	DVSS
PM_TBOUTH	Timer_B outputs high impedance	DVSS
PM_TBCCR0A	Timer_B CCR0 capture input CCI0A	TB CCR0 compare output Out0 [direction controlled by Timer_B (TBOUTH)]
PM_TBCCR1A	Timer_B CCR1 capture input CCI1A	TB CCR1 compare output Out1 [direction controlled by Timer_B (TBOUTH)]
PM_TBCCR2A	Timer_B CCR2 capture input CCI2A	TB CCR2 compare output Out2 [direction controlled by Timer_B (TBOUTH)]
PM_TBCCR3A	Timer_B CCR3 capture input CCI3A	TB CCR3 compare output Out3 [direction controlled by Timer_B (TBOUTH)]
PM_TBCCR4A	Timer_B CCR4 capture input CCI4A	TB CCR4 compare output Out4 [direction controlled by Timer_B (TBOUTH)]
PM_TBCCR5A	Timer_B CCR5 capture input CCI3A	TB CCR5 compare output Out5 [direction controlled by Timer_B (TBOUTH)]
PM_TBCCR6A	Timer_B CCR6 capture input CCI4A	TB CCR6 compare output Out6 [direction controlled by Timer_B (TBOUTH)]
PM_UCA0RXD/ PM_UCA0SOMI	USCI_A0 UART RXD (direction controlled by USCI - input) USCI_A0 SPI slave out master in (direction controlled by USCI)	
PM_UCA0TXD/ PM_UCA0SIMO	USCI_A0 UART TXD (direction controlled by USCI - output) USCI_A0 SPI slave in master out (direction controlled by USCI)	
PM_UCA0CLK	USCI_A0 clock input/output (direction controlled by USCI)	
PM_UCA0STE	USCI_A0 SPI slave transmit enable (direction controlled by USCI)	
PM_UCB0SOMI/ PM_UCB0SCL	USCI_B0 SPI slave out master in (direction controlled by USCI) USCI_B0 I2C clock (open drain and direction controlled by USCI)	
PM_UCB0SIMO/ PM_UCB0SDA	USCI_B0 SPI slave in master out (direction controlled by USCI) USCI_B0 I2C data (open drain and direction controlled by USCI)	
PM_UCB0CLK	USCI_B0 clock input/output (direction controlled by USCI)	
PM_UCB0STE	USCI_B0 SPI slave transmit enable (direction controlled by USCI)	
PM_ANALOG	Disables the output driver and the input Schmitt-trigger to prevent parasitic cross currents when applying analog signals	

### 9.2.3 Software Example

The following is an example of how to configure the port mapping in software.

```

__no_init volatile unsigned short PMAPPWD @ 0x1C0;
__no_init volatile unsigned short PMAPCTL @ 0x1C2;
__no_init volatile unsigned char PxMAPy[4*8] @ 0x1C8;

const unsigned char port_mapping[4*8] = {
// Port P1:
    PM_TA0CCR0A,
    PM_TA0CCR1A,
    PM_TA0CCR2A,
    PM_TA0CCR3A,
    PM_TA0CCR4A,
    PM_TA1CCR0A,
    PM_TA1CCR1A,
    PM_TA1CCR2A,
// Port P2:
    PM_UCA0RXD,
    PM_UCA0TXD,
    PM_NONE,
    PM_NONE,
    PM_UCB0SOMI,
    PM_UCA0SIMO,
    PM_UCB0CLK,
    PM_UCB0STE,
// Port P3:
    PM_NONE,
    PM_NONE,
    PM_NONE,
    PM_NONE,
    PM_NONE,
    PM_NONE,
    PM_NONE,
    PM_NONE,
// Port P4:
    PM_NONE,
    PM_NONE,
    PM_NONE,
    PM_NONE,
    PM_NONE,
    PM_NONE,
    PM_NONE,
    PM_NONE};

void configure_ports()
{
    int i;

    // Disable all interrupts
    __disable_interrupt();

    // Get write-access to port mapping registers:
    PMAPPWD = 0x02D52;

#ifdef PORT_MAP_RECFG
    // Allow reconfiguration during runtime:
    PMAPCTL = PMAPRECFG;
#endif
}

```

```
// Configure Port Mapping:
for (i= 0; i<4*8; i++)
{
    PxMAPy[i]= port_mapping[i];
}

// Disable write-access to port mapping registers:
PMAPPWD = 0;

#ifdef PORT_MAP_EINT
    // Re-enable all interrupts
    __enable_interrupt();
#endif

} // configure_ports()
```

### 9.3 Port Mapping Controller Registers

The control register for the port mapping controller are listed in [Table 9-2](#). The mapping registers are listed in [Table 9-3](#). The mapping registers can also be accessed as words, as shown in [Table 9-4](#).

**Table 9-2. Port Mapping Control Registers**

Register	Short Form	Register Type	Address Offset	Initial State
Port mapping password register	PMAPPWD	Read/write	000h	Reset with PUC
Port mapping control register	PMAPCTL	Read/write	002h	Reset with PUC

**Table 9-3. Port Mapping Registers for Port Px – Byte Access**

Register	Short Form	Register Type	Address Offset	Initial State
Port Px.0 mapping register	PxMAP0	Read/write	000h	Device dependent
Port Px.1 mapping register	PxMAP1	Read/write	001h	Device dependent
Port Px.2 mapping register	PxMAP2	Read/write	002h	Device dependent
Port Px.3 mapping register	PxMAP3	Read/write	003h	Device dependent
Port Px.4 mapping register	PxMAP4	Read/write	004h	Device dependent
Port Px.5 mapping register	PxMAP5	Read/write	005h	Device dependent
Port Px.6 mapping register	PxMAP6	Read/write	006h	Device dependent
Port Px.7 mapping register	PxMAP7	Read/write	007h	Device dependent

**Table 9-4. Port Mapping Registers for Port Px – Word Access**

Register	Short Form	Register Type	Address Offset	Initial State
Port Px.0/Port Px.1 mapping register	PxMAP01	Read/write	000h	Device dependent
Port Px.2/Port Px.3 mapping register	PxMAP23	Read/write	002h	Device dependent
Port Px.4/Port Px.5 mapping register	PxMAP45	Read/write	004h	Device dependent
Port Px.6/Port Px.7 mapping register	PxMAP67	Read/write	006h	Device dependent

**PMAPPWD, Port Mapping Controller Password Register**

15	14	13	12	11	10	9	8
<b>PMAPPWDx, read as 096A5h, must be written as 02D52h</b>							
7	6	5	4	3	2	1	0
<b>PMAPPWDx, read as 096A5h, must be written as 02D52h</b>							

**PMAPPWDx** Bits 15-0 Port mapping password  
Always reads 096A5h. Must be written 02D52h for write access to the port mapping registers.

**PMAPCTL, Port Mapping Controller Control Register**

15	14	13	12	11	10	9	8
<b>Reserved</b>							
r0	r0	r0	r0	r0	r0	r0	r0
7	6	5	4	3	2	1	0
<b>Reserved</b>						<b>PMAPRECFG</b>	<b>PMAPLOCKED</b>
r0	r0	r0	r0	r0	r0	rw-0	r-1

**Reserved** Bits 15-2 Reserved  
**PMAPRECFG** Bit 1 Port mapping reconfiguration control bit  
0 Configuration allowed only once  
1 Allow reconfiguration of port mapping  
**PMAPLOCKED** Bit 0 Port mapping lock bit. Read only  
0 Access to mapping registers is granted  
1 Access to mapping registers is locked

**PxMAPy, Port Px.y Mapping Register**

7	6	5	4	3	2	1	0
<b>PMAPx</b>							
rw-0 <sup>(1)</sup>	rw-0 <sup>(1)</sup>	rw-0 <sup>(1)</sup>	rw-0 <sup>(1)</sup>	rw-0 <sup>(1)</sup>	rw-0 <sup>(1)</sup>	rw-0 <sup>(1)</sup>	rw-0 <sup>(1)</sup>

**PMAPx** Bits 7-0 Selects secondary port function. Settings are device-dependent; see the device-specific data sheet.

<sup>(1)</sup> If not all bits are required to decode all provided functions, the unused bits are r0.







## DMA Controller

---

---

---

The direct memory access (DMA) controller module transfers data from one address to another, without CPU intervention. This chapter describes the operation of the DMA controller.

Topic	Page
10.1 Direct Memory Access (DMA) Introduction .....	306
10.2 DMA Operation.....	308
10.3 DMA Registers .....	319

## 10.1 Direct Memory Access (DMA) Introduction

The DMA controller transfers data from one address to another, without CPU intervention, across the entire address range. For example, the DMA controller can move data from the ADC conversion memory to RAM.

Devices that contain a DMA controller may have up to eight DMA channels available. Therefore, depending on the number of DMA channels available, some features described in this chapter are not applicable to all devices. See the device-specific data sheet for number of channels supported.

Using the DMA controller can increase the throughput of peripheral modules. It can also reduce system power consumption by allowing the CPU to remain in a low-power mode, without having to awaken to move data to or from a peripheral.

DMA controller features include:

- Up to eight independent transfer channels
- Configurable DMA channel priorities
- Requires only two MCLK clock cycles per transfer
- Byte or word and mixed byte/word transfer capability
- Block sizes up to 65535 bytes or words
- Configurable transfer trigger selections
- Selectable-edge or level-triggered transfer
- Four addressing modes
- Single, block, or burst-block transfer modes

The DMA controller block diagram is shown in [Figure 10-1](#).

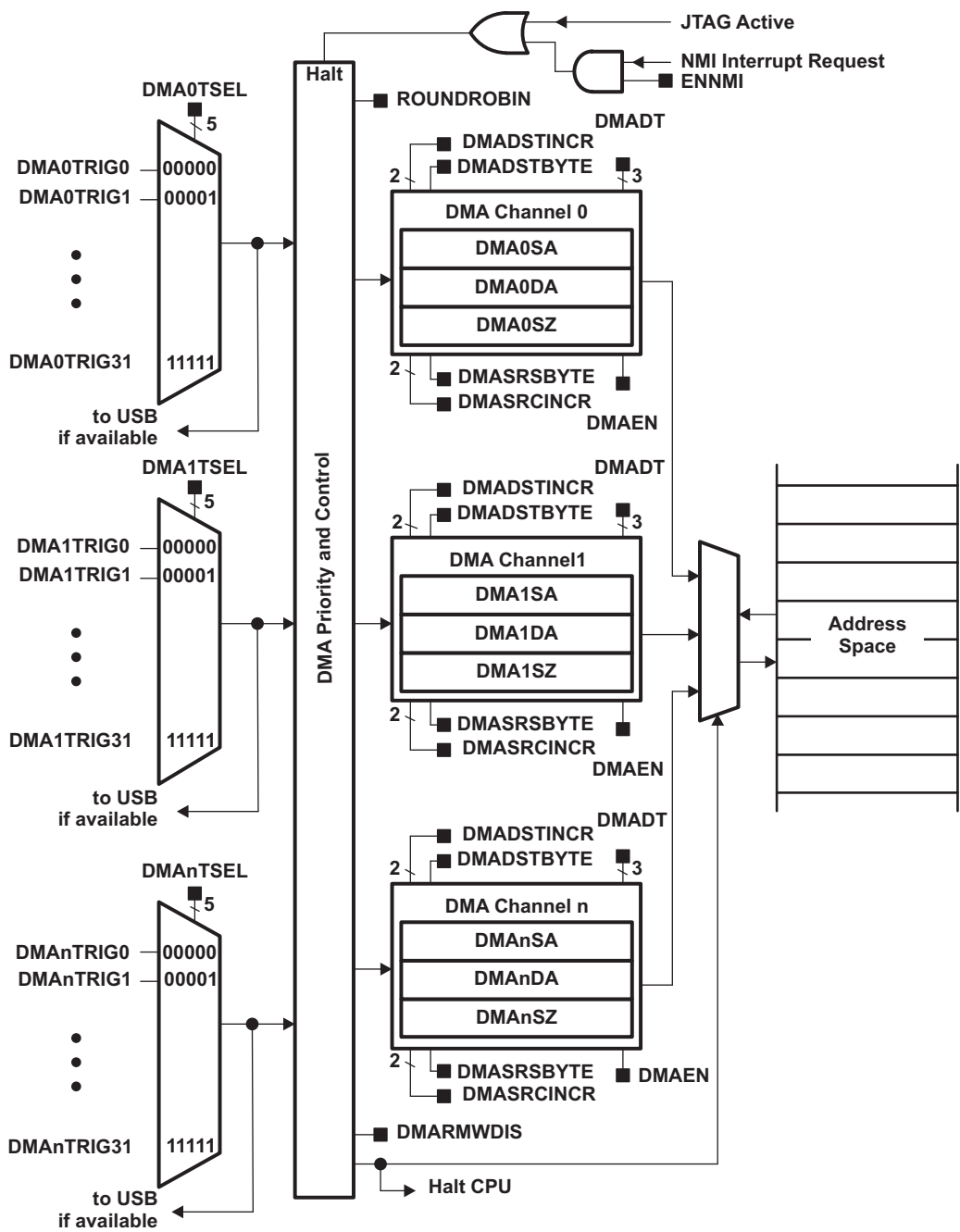


Figure 10-1. DMA Controller Block Diagram

## 10.2 DMA Operation

The DMA controller is configured with user software. The setup and operation of the DMA is discussed in the following sections.

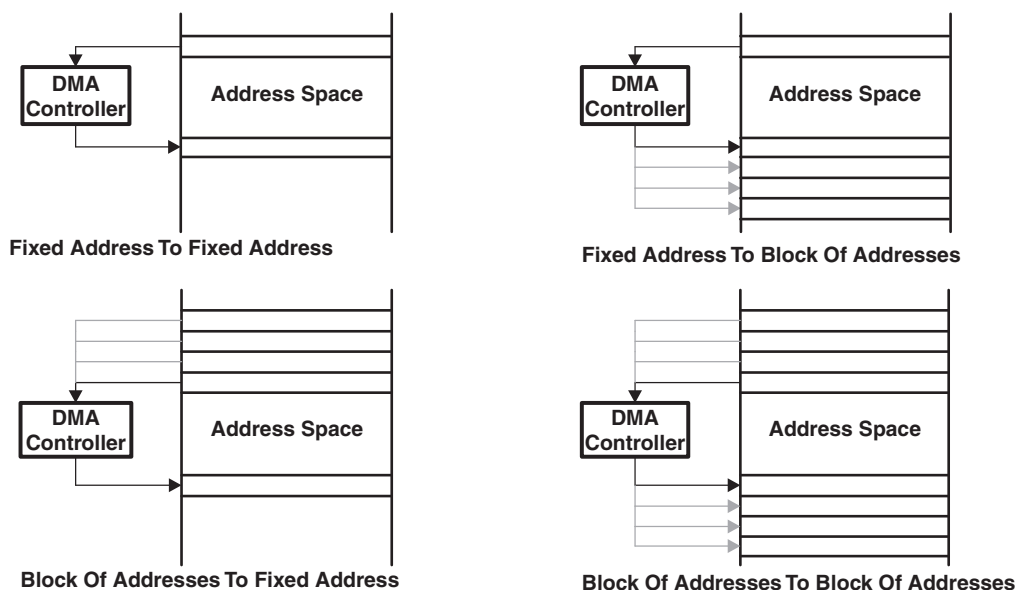
### 10.2.1 DMA Addressing Modes

The DMA controller has four addressing modes. The addressing mode for each DMA channel is independently configurable. For example, channel 0 may transfer between two fixed addresses, while channel 1 transfers between two blocks of addresses. The addressing modes are shown in [Figure 10-2](#). The addressing modes are:

- Fixed address to fixed address
- Fixed address to block of addresses
- Block of addresses to fixed address
- Block of addresses to block of addresses

The addressing modes are configured with the DMASRCINCR and DMADSTINCR control bits. The DMASRCINCR bits select if the source address is incremented, decremented, or unchanged after each transfer. The DMADSTINCR bits select if the destination address is incremented, decremented, or unchanged after each transfer.

Transfers may be byte to byte, word to word, byte to word, or word to byte. When transferring word to byte, only the lower byte of the source-word transfers. When transferring byte to word, the upper byte of the destination-word is cleared when the transfer occurs.



**Figure 10-2. DMA Addressing Modes**

### 10.2.2 DMA Transfer Modes

The DMA controller has six transfer modes selected by the DMADT bits as listed in [Table 10-1](#). Each channel is individually configurable for its transfer mode. For example, channel 0 may be configured in single transfer mode, while channel 1 is configured for burst-block transfer mode, and channel 2 operates in repeated block mode. The transfer mode is configured independently from the addressing mode. Any addressing mode can be used with any transfer mode.

Two types of data can be transferred selectable by the DMAxCTL DSTBYTE and SRCBYTE fields. The source and/or destination location can be either byte or word data. It is also possible to transfer byte to byte, word to word, or any combination.

**Table 10-1. DMA Transfer Modes**

DMADT	Transfer Mode	Description
000	Single transfer	Each transfer requires a trigger. DMAEN is automatically cleared when DMAxSZ transfers have been made.
001	Block transfer	A complete block is transferred with one trigger. DMAEN is automatically cleared at the end of the block transfer.
010, 011	Burst-block transfer	CPU activity is interleaved with a block transfer. DMAEN is automatically cleared at the end of the burst-block transfer.
100	Repeated single transfer	Each transfer requires a trigger. DMAEN remains enabled.
101	Repeated block transfer	A complete block is transferred with one trigger. DMAEN remains enabled.
110, 111	Repeated burst-block transfer	CPU activity is interleaved with a block transfer. DMAEN remains enabled.

## Single Transfer

In single transfer mode, each byte/word transfer requires a separate trigger. The single transfer state diagram is shown in [Figure 10-3](#).

The DMAxSZ register is used to define the number of transfers to be made. The DMADSTINCR and DMASRCINCR bits select if the destination address and the source address are incremented or decremented after each transfer. If DMAxSZ = 0, no transfers occur.

The DMAxSA, DMAxDA, and DMAxSZ registers are copied into temporary registers. The temporary values of DMAxSA and DMAxDA are incremented or decremented after each transfer. The DMAxSZ register is decremented after each transfer. When the DMAxSZ register decrements to zero, it is reloaded from its temporary register and the corresponding DMAIFG flag is set. When DMADT = {0}, the DMAEN bit is cleared automatically when DMAxSZ decrements to zero and must be set again for another transfer to occur.

In repeated single transfer mode, the DMA controller remains enabled with DMAEN = 1, and a transfer occurs every time a trigger occurs.

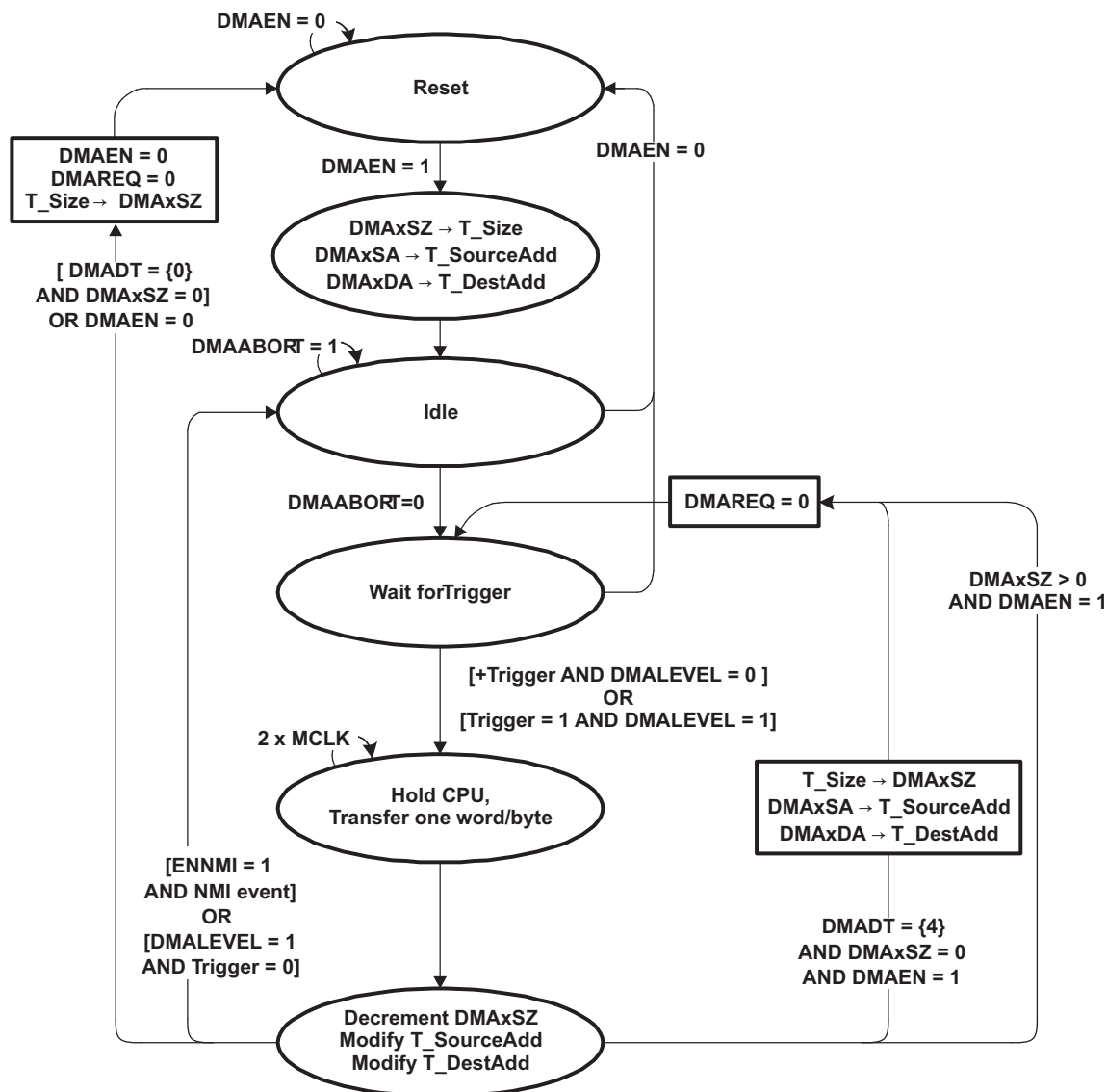


Figure 10-3. DMA Single Transfer State Diagram

## Block Transfer

In block transfer mode, a transfer of a complete block of data occurs after one trigger. When  $DMADT = \{1\}$ , the  $DMAEN$  bit is cleared after the completion of the block transfer and must be set again before another block transfer can be triggered. After a block transfer has been triggered, further trigger signals occurring during the block transfer are ignored. The block transfer state diagram is shown in Figure 10-4.

The  $DMAxSZ$  register is used to define the size of the block, and the  $DMADSTINCR$  and  $DMASRCINCR$  bits select if the destination address and the source address are incremented or decremented after each transfer of the block. If  $DMAxSZ = 0$ , no transfers occur.

The  $DMAxSA$ ,  $DMAxDA$ , and  $DMAxSZ$  registers are copied into temporary registers. The temporary values of  $DMAxSA$  and  $DMAxDA$  are incremented or decremented after each transfer in the block. The  $DMAxSZ$  register is decremented after each transfer of the block and shows the number of transfers remaining in the block. When the  $DMAxSZ$  register decrements to zero, it is reloaded from its temporary register and the corresponding  $DMAIFG$  flag is set.

During a block transfer, the CPU is halted until the complete block has been transferred. The block transfer takes  $2 \times \text{MCLK} \times \text{DMAxSZ}$  clock cycles to complete. CPU execution resumes with its previous state after the block transfer is complete.

In repeated block transfer mode, the DMAEN bit remains set after completion of the block transfer. The next trigger after the completion of a repeated block transfer triggers another block transfer.

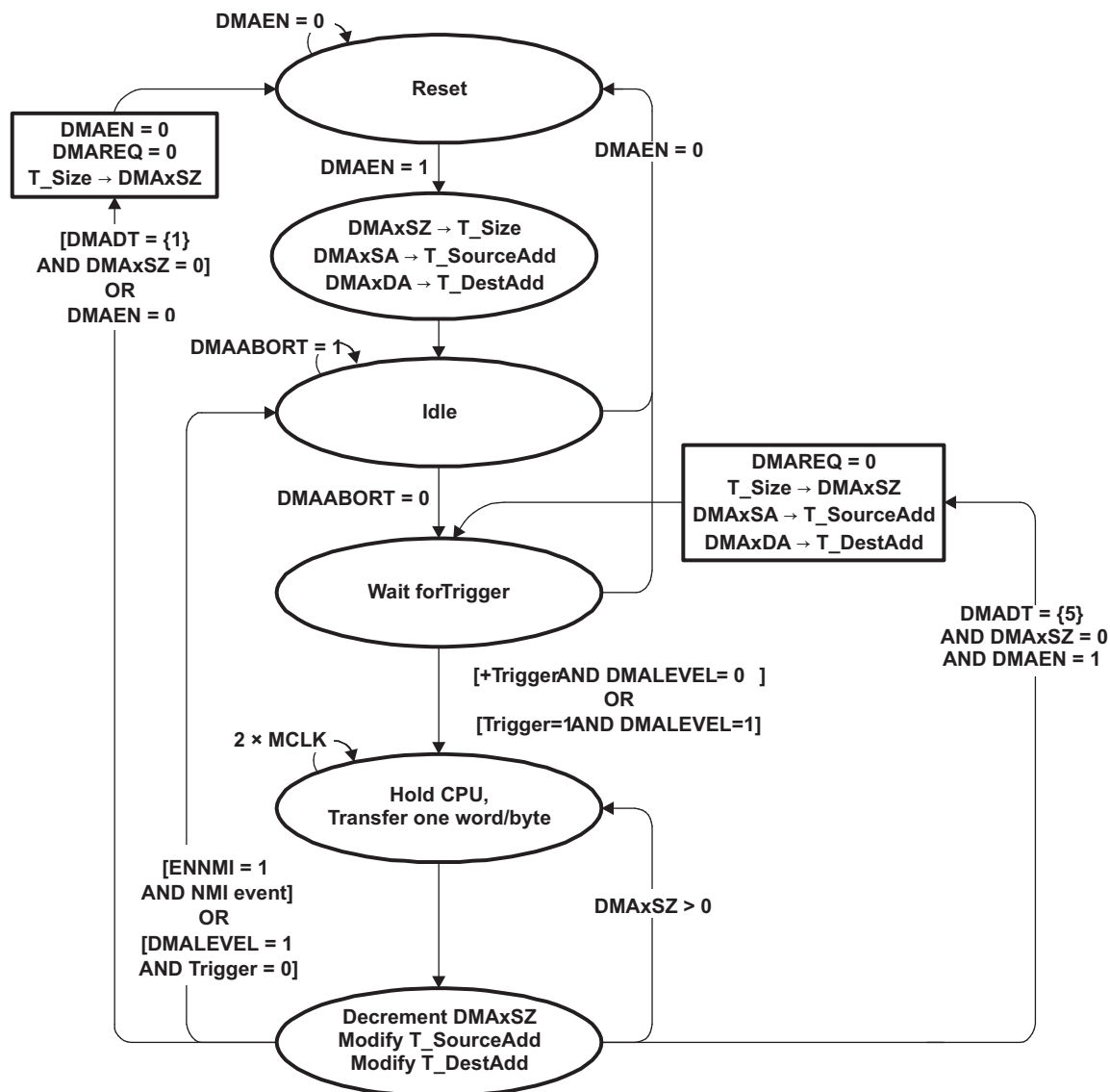


Figure 10-4. DMA Block Transfer State Diagram

### Burst-Block Transfer

In burst-block mode, transfers are block transfers with CPU activity interleaved. The CPU executes two MCLK cycles after every four byte/word transfers of the block, resulting in 20% CPU execution capacity. After the burst-block, CPU execution resumes at 100% capacity and the DMAEN bit is cleared. DMAEN must be set again before another burst-block transfer can be triggered. After a burst-block transfer has been triggered, further trigger signals occurring during the burst-block transfer are ignored. The burst-block transfer state diagram is shown in Figure 10-5.

The DMAxSZ register is used to define the size of the block, and the DMADSTINCR and DMASRCINCR bits select if the destination address and the source address are incremented or decremented after each transfer of the block. If DMAxSZ = 0, no transfers occur.

The DMAxSA, DMAxDA, and DMAxSZ registers are copied into temporary registers. The temporary values of DMAxSA and DMAxDA are incremented or decremented after each transfer in the block. The DMAxSZ register is decremented after each transfer of the block and shows the number of transfers remaining in the block. When the DMAxSZ register decrements to zero, it is reloaded from its temporary register and the corresponding DMAIFG flag is set.

In repeated burst-block mode, the DMAEN bit remains set after completion of the burst-block transfer and no further trigger signals are required to initiate another burst-block transfer. Another burst-block transfer begins immediately after completion of a burst-block transfer. In this case, the transfers must be stopped by clearing the DMAEN bit, or by an (non)maskable interrupt (NMI) when ENNMI is set. In repeated burst-block mode the CPU executes at 20% capacity continuously until the repeated burst-block transfer is stopped.



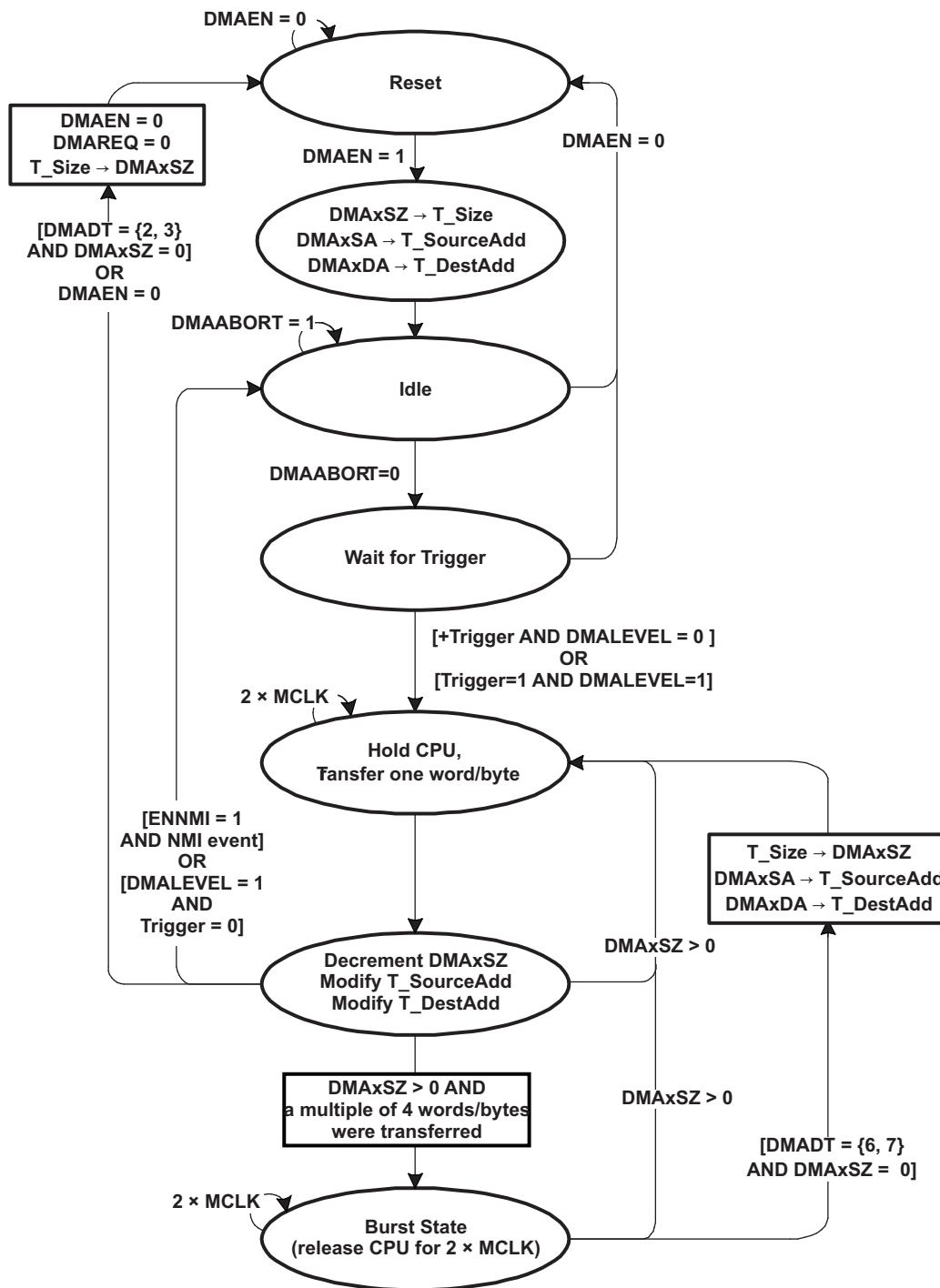


Figure 10-5. DMA Burst-Block Transfer State Diagram

### 10.2.3 Initiating DMA Transfers

Each DMA channel is independently configured for its trigger source with the DMAxTSEL. The DMAxTSEL bits should be modified only when the DMACTLx DMAEN bit is 0. Otherwise, unpredictable DMA triggers may occur. [Table 10-2](#) describes the trigger operation for each type of module. See the device-specific data sheet for the list of triggers available, along with their respective DMAxTSEL values.

When selecting the trigger, the trigger must not have already occurred, or the transfer does not take place.

---

**Note: DMA trigger selection and USB**

On devices that contain a USB module, the triggers selection from DMA channels 0, 1, or 2 can be used for the USB time stamp event selection (see the USB module description for further details).

---

#### Edge-Sensitive Triggers

When DMALEVEL = 0, edge-sensitive triggers are used, and the rising edge of the trigger signal initiates the transfer. In single-transfer mode, each transfer requires its own trigger. When using block or burst-block modes, only one trigger is required to initiate the block or burst-block transfer.

#### Level-Sensitive Triggers

When DMALEVEL = 1, level-sensitive triggers are used. For proper operation, level-sensitive triggers can only be used when external trigger DMAE0 is selected as the trigger. DMA transfers are triggered as long as the trigger signal is high and the DMAEN bit remains set.

The trigger signal must remain high for a block or burst-block transfer to complete. If the trigger signal goes low during a block or burst-block transfer, the DMA controller is held in its current state until the trigger goes back high or until the DMA registers are modified by software. If the DMA registers are not modified by software, when the trigger signal goes high again, the transfer resumes from where it was when the trigger signal went low.

When DMALEVEL = 1, transfer modes selected when DMADT = {0, 1, 2, 3} are recommended because the DMAEN bit is automatically reset after the configured transfer.

#### Halting Executing Instructions for DMA Transfers

The DMARMWDIS bit controls when the CPU is halted for DMA transfers. When DMARMWDIS = 0, the CPU is halted immediately and the transfer begins when a trigger is received. In this case, it is possible that CPU read-modify-write operations can be interrupted by a DMA transfer. When DMARMWDIS = 1, the CPU finishes the currently executing read-modify-write operation before the DMA controller halts the CPU and the transfer begins (see [Table 10-2](#)).

**Table 10-2. DMA Trigger Operation**

Module	Operation
DMA	A transfer is triggered when the DMAREQ bit is set. The DMAREQ bit is automatically reset when the transfer starts. A transfer is triggered when the DMAxIFG flag is set. DMA0IFG triggers channel 1, DMA1IFG triggers channel 2, and DMA2IFG triggers channel 0. None of the DMAxIFG flags are automatically reset when the transfer starts. A transfer is triggered by the external trigger DMAE0.
Timer_A	A transfer is triggered when the TAxCCR0 CCIFG flag is set. The TAxCCR0 CCIFG flag is automatically reset when the transfer starts. If the TAxCCR0 CCIE bit is set, the TAxCCR0 CCIFG flag does not trigger a transfer. A transfer is triggered when the TAxCCR2 CCIFG flag is set. The TAxCCR2 CCIFG flag is automatically reset when the transfer starts. If the TAxCCR2 CCIE bit is set, the TAxCCR2 CCIFG flag does not trigger a transfer.
Timer_B	A transfer is triggered when the TBxCCR0 CCIFG flag is set. The TBxCCR0 CCIFG flag is automatically reset when the transfer starts. If the TBxCCR0 CCIE bit is set, the TBxCCR0 CCIFG flag does not trigger a transfer. A transfer is triggered when the TBxCCR2 CCIFG flag is set. The TBxCCR2 CCIFG flag is automatically reset when the transfer starts. If the TBxCCR2 CCIE bit is set, the TBxCCR2 CCIFG flag does not trigger a transfer.
USCI_Ax	A transfer is triggered when USCI_Ax receives new data. UCAxRXIFG is automatically reset when the transfer starts. If UCAxRXIE is set, the UCAxRXIFG does not trigger a transfer. A transfer is triggered when USCI_Ax is ready to transmit new data. UCAxTXIFG is automatically reset when the transfer starts. If UCAxTXIE is set, the UCAxTXIFG does not trigger a transfer.
USCI_Bx	A transfer is triggered when USCI_Bx receives new data. UCBxRXIFG is automatically reset when the transfer starts. If UCBxRXIE is set, the UCBxRXIFG does not trigger a transfer. A transfer is triggered when USCI_Bx is ready to transmit new data. UCBxTXIFG is automatically reset when the transfer starts. If UCBxTXIE is set, the UCBxTXIFG does not trigger a transfer.
DAC12_A	A transfer is triggered when the DAC12_xCTL0 DAC12IFG flag is set. The DAC12_xCTL0 DAC12IFG flag is automatically cleared when the transfer starts. If the DAC12_xCTL0 DAC12IE bit is set, the DAC12_xCTL0 DAC12IFG flag does not trigger a transfer.
ADC12_A	A transfer is triggered by an ADC12IFG flag. When single-channel conversions are performed, the corresponding ADC12IFG is the trigger. When sequences are used, the ADC12IFG for the last conversion in the sequence is the trigger. A transfer is triggered when the conversion is completed and the ADC12IFG is set. Setting the ADC12IFG with software does not trigger a transfer. All ADC12IFG flags are automatically reset when the associated ADC12MEMx register is accessed by the DMA controller.
MPY	A transfer is triggered when the hardware multiplier is ready for a new operand.
Reserved	No transfer is triggered.

### 10.2.4 Stopping DMA Transfers

There are two ways to stop DMA transfers in progress:

- A single, block, or burst-block transfer may be stopped with an NMI, if the ENNMI bit is set in register DMACTL1.
- A burst-block transfer may be stopped by clearing the DMAEN bit.

### 10.2.5 DMA Channel Priorities

The default DMA channel priorities are DMA0 through DMA7. If two or three triggers happen simultaneously or are pending, the channel with the highest priority completes its transfer (single, block, or burst-block transfer) first, then the second priority channel, then the third priority channel. Transfers in progress are not halted if a higher-priority channel is triggered. The higher-priority channel waits until the transfer in progress completes before starting.

The DMA channel priorities are configurable with the ROUNDROBIN bit. When the ROUNDROBIN bit is set, the channel that completes a transfer becomes the lowest priority. The *order* of the priority of the channels always stays the same, DMA0-DMA1-DMA2, for example, for three channels. When the ROUNDROBIN bit is cleared, the channel priority returns to the default priority.

DMA Priority	Transfer Occurs	New DMA Priority
DMA0-DMA1-DMA2	DMA1	DMA2-DMA0-DMA1
DMA2-DMA0-DMA1	DMA2	DMA0-DMA1-DMA2
DMA0-DMA1-DMA2	DMA0	DMA1-DMA2-DMA0

### 10.2.6 DMA Transfer Cycle Time

The DMA controller requires one or two MCLK clock cycles to synchronize before each single transfer or complete block or burst-block transfer. Each byte/word transfer requires two MCLK cycles after synchronization, and one cycle of wait time after the transfer. Because the DMA controller uses MCLK, the DMA cycle time is dependent on the MSP430 operating mode and clock system setup.

If the MCLK source is active but the CPU is off, the DMA controller uses the MCLK source for each transfer, without reenabling the CPU. If the MCLK source is off, the DMA controller temporarily restarts MCLK, sourced with DCOCLK, for the single transfer or complete block or burst-block transfer. The CPU remains off and after the transfer completes, MCLK is turned off. The maximum DMA cycle time for all operating modes is shown in [Table 10-3](#).

**Table 10-3. Maximum Single-Transfer DMA Cycle Time**

CPU Operating Mode Clock Source	Maximum DMA Cycle Time
Active mode MCLK = DCOCLK	4 MCLK cycles
Active mode MCLK = LFXT1CLK	4 MCLK cycles
Low-power mode LPM0/1 MCLK = DCOCLK	5 MCLK cycles
Low-power mode LPM3/4 MCLK = DCOCLK	5 MCLK cycles + 5 $\mu$ s <sup>(1)</sup>
Low-power mode LPM0/1 MCLK = LFXT1CLK	5 MCLK cycles
Low-power mode LPM3 MCLK = LFXT1CLK	5 MCLK cycles
Low-power mode LPM4 MCLK = LFXT1CLK	5 MCLK cycles + 5 $\mu$ s <sup>(1)</sup>

<sup>(1)</sup> The additional 5  $\mu$ s are needed to start the DCOCLK. It is the  $t_{(LPMx)}$  parameter in the data sheet.

### 10.2.7 Using DMA With System Interrupts

DMA transfers are not interruptible by system interrupts. System interrupts remain pending until the completion of the transfer. NMIs can interrupt the DMA controller if the ENNMI bit is set.

System interrupt service routines are interrupted by DMA transfers. If an interrupt service routine or other routine must execute with no interruptions, the DMA controller should be disabled prior to executing the routine.

### 10.2.8 DMA Controller Interrupts

Each DMA channel has its own DMAIFG flag. Each DMAIFG flag is set in any mode when the corresponding DMAxSZ register counts to zero. If the corresponding DMAIE and GIE bits are set, an interrupt request is generated.

All DMAIFG flags are prioritized, with DMA0IFG being the highest, and combined to source a single interrupt vector. The highest-priority enabled interrupt generates a number in the DMAIV register. This number can be evaluated or added to the program counter (PC) to automatically enter the appropriate software routine. Disabled DMA interrupts do not affect the DMAIV value.

Any access, read or write, of the DMAIV register automatically resets the highest pending interrupt flag. If another interrupt flag is set, another interrupt is immediately generated after servicing the initial interrupt. For example, assume that DMA0 has the highest priority. If the DMA0IFG and DMA2IFG flags are set when the interrupt service routine accesses the DMAIV register, DMA0IFG is reset automatically. After the RETI instruction of the interrupt service routine is executed, the DMA2IFG generates another interrupt.

### DMAIV Software Example

The following software example shows the recommended use of DMAIV and the handling overhead for an eight channel DMA controller. The DMAIV value is added to the PC to automatically jump to the appropriate routine.

The numbers at the right margin show the necessary CPU cycles for each instruction. The software overhead for different interrupt sources includes interrupt latency and return-from-interrupt cycles, but not the task handling itself.

```

;Interrupt handler for DMAxIFG                                Cycles

DMA_HND    ...      ; Interrupt latency                    6
            ADD      &DMAIV,PC    ; Add offset to Jump table    3
            RETI     ; Vector 0: No interrupt            5
            JMP      DMA0_HND     ; Vector 2: DMA channel 0    2
            JMP      DMA1_HND     ; Vector 4: DMA channel 1    2
            JMP      DMA2_HND     ; Vector 6: DMA channel 2    2
            JMP      DMA3_HND     ; Vector 8: DMA channel 3    2
            JMP      DMA4_HND     ; Vector 10: DMA channel 4   2
            JMP      DMA5_HND     ; Vector 12: DMA channel 5   2
            JMP      DMA6_HND     ; Vector 14: DMA channel 6   2
            JMP      DMA7_HND     ; Vector 16: DMA channel 7   2

DMA7_HND   ; Vector 16: DMA channel 7
            ...      ; Task starts here
            RETI     ; Back to main program                5

DMA6_HND   ; Vector 14: DMA channel 6
            ...      ; Task starts here
            RETI     ; Back to main program                5

DMA5_HND   ; Vector 12: DMA channel 5
            ...      ; Task starts here
            RETI     ; Back to main program                5

DMA4_HND   ; Vector 10: DMA channel 4
            ...      ; Task starts here
            RETI     ; Back to main program                5

DMA3_HND   ; Vector 8: DMA channel 3
            ...      ; Task starts here
            RETI     ; Back to main program                5

DMA2_HND   ; Vector 6: DMA channel 2
            ...      ; Task starts here
            RETI     ; Back to main program                5

DMA1_HND   ; Vector 4: DMA channel 1
            ...      ; Task starts here
            RETI     ; Back to main program                5

DMA0_HND   ; Vector 2: DMA channel 0
            ...      ; Task starts here
            RETI     ; Back to main program                5

```

### 10.2.9 Using the USCI\_B I<sup>2</sup>C Module With the DMA Controller

The USCI\_B I<sup>2</sup>C module provides two trigger sources for the DMA controller. The USCI\_B I<sup>2</sup>C module can trigger a transfer when new I<sup>2</sup>C data is received and the when the transmit data is needed.

### 10.2.10 Using ADC12 With the DMA Controller

MSP430 devices with an integrated DMA controller can automatically move data from any ADC12MEMx register to another location. DMA transfers are done without CPU intervention and independently of any low-power modes. The DMA controller increases throughput of the ADC12 module, and enhances low-power applications allowing the CPU to remain off while data transfers occur.

DMA transfers can be triggered from any ADC12IFG flag. When CONSEQx = {0,2}, the ADC12IFG flag for the ADC12MEMx used for the conversion can trigger a DMA transfer. When CONSEQx = {1,3}, the ADC12IFG flag for the last ADC12MEMx in the sequence can trigger a DMA transfer. Any ADC12IFG flag is automatically cleared when the DMA controller accesses the corresponding ADC12MEMx.

### 10.2.11 Using DAC12 With the DMA Controller

MSP430 devices with an integrated DMA controller can automatically move data to the DAC12\_xDAT register. DMA transfers are done without CPU intervention and independently of any low-power modes. The DMA controller increases throughput to the DAC12 module, and enhances low-power applications allowing the CPU to remain off while data transfers occur.

Applications requiring periodic waveform generation can benefit from using the DMA controller with the DAC12. For example, an application that produces a sinusoidal waveform may store the sinusoid values in a table. The DMA controller can continuously and automatically transfer the values to the DAC12 at specific intervals creating the sinusoid with zero CPU execution. The DAC12\_xCTL DAC12IFG flag is automatically cleared when the DMA controller accesses the DAC12\_xDAT register.

### 10.3 DMA Registers

The DMA module registers are listed in [Table 10-4](#). The base addresses can be found in the device-specific data sheet. Each channel starts at its respective base address. The address offsets are listed in [Table 10-4](#).

**Note:** All registers have word or byte register access. For a generic register *ANYREG*, the suffix "\_L" (*ANYREG\_L*) refers to the lower byte of the register (bits 0 through 7). The suffix "\_H" (*ANYREG\_H*) refers to the upper byte of the register (bits 8 through 15).

**Table 10-4. DMA Registers**

Register	Short Form	Register Type	Register Access	Address Offset	Initial State
DMA Control 0	DMACTL0	Read/write	Word	00h	0000h
	DMACTL0_L	Read/write	Byte	00h	00h
	DMACTL0_H	Read/write	Byte	01h	00h
DMA Control 1	DMACTL1	Read/write	Word	02h	0000h
	DMACTL1_L	Read/write	Byte	02h	00h
	DMACTL1_H	Read/write	Byte	03h	00h
DMA Control 2	DMACTL2	Read/write	Word	04h	0000h
	DMACTL2_L	Read/write	Byte	04h	00h
	DMACTL2_H	Read/write	Byte	05h	00h
DMA Control 3	DMACTL3	Read/write	Word	06h	0000h
	DMACTL3_L	Read/write	Byte	06h	00h
	DMACTL3_H	Read/write	Byte	07h	00h
DMA Control 4	DMACTL4	Read/write	Word	08h	0000h
	DMACTL4_L	Read/write	Byte	08h	00h
	DMACTL4_H	Read/write	Byte	09h	00h
DMA Interrupt Vector	DMAIV	Read only	Word	0Eh	0000h
	DMAIV_L	Read only	Byte	0Eh	00h
	DMAIV_H	Read only	Byte	0Fh	00h
DMA Channel 0 Control	DMA0CTL	Read/write	Word	00h	0000h
	DMA0CTL_L	Read/write	Byte	00h	00h
	DMA0CTL_H	Read/write	Byte	01h	00h
DMA Channel 0 Source Address	DMA0SA	Read/write		02h	undefined
DMA Channel 0 Destination Address	DMA0DA	Read/write		06h	undefined
DMA Channel 0 Transfer Size	DMA0SZ	Read/write	Word	0Ah	undefined
	DMA0SZ_L	Read/write	Byte	0Ah	undefined
	DMA0SZ_H	Read/write	Byte	0Bh	undefined
DMA Channel 1 Control	DMA1CTL	Read/write	Word	00h	0000h
	DMA1CTL_L	Read/write	Byte	00h	00h
	DMA1CTL_H	Read/write	Byte	01h	00h
DMA Channel 1 Source Address	DMA1SA	Read/write		02h	undefined
DMA Channel 1 Destination Address	DMA1DA	Read/write		06h	undefined
DMA Channel 1 Transfer Size	DMA1SZ	Read/write	Word	0Ah	undefined
	DMA1SZ_L	Read/write	Byte	0Ah	undefined
	DMA1SZ_H	Read/write	Byte	0Bh	undefined
DMA Channel 2 Control	DMA2CTL	Read/write	Word	00h	0000h
	DMA2CTL_L	Read/write	Byte	00h	00h
	DMA2CTL_H	Read/write	Byte	01h	00h

**Table 10-4. DMA Registers (continued)**

Register	Short Form	Register Type	Register Access	Address Offset	Initial State
DMA Channel 2 Source Address	DMA2SA	Read/write		02h	undefined
DMA Channel 2 Destination Address	DMA2DA	Read/write		06h	undefined
DMA Channel 2 Transfer Size	DMA2SZ	Read/write	Word	0Ah	undefined
	DMA2SZ_L	Read/write	Byte	0Ah	undefined
	DMA2SZ_H	Read/write	Byte	0Bh	undefined
DMA Channel 3 Control	DMA3CTL	Read/write	Word	00h	0000h
	DMA3CTL_L	Read/write	Byte	00h	00h
	DMA3CTL_H	Read/write	Byte	01h	00h
DMA Channel 3 Source Address	DMA3SA	Read/write		02h	undefined
DMA Channel 3 Destination Address	DMA3DA	Read/write		06h	undefined
DMA Channel 3 Transfer Size	DMA3SZ	Read/write	Word	0Ah	undefined
	DMA3SZ_L	Read/write	Byte	0Ah	undefined
	DMA3SZ_H	Read/write	Byte	0Bh	undefined
DMA Channel 4 Control	DMA4CTL	Read/write	Word	00h	0000h
	DMA4CTL_L	Read/write	Byte	00h	00h
	DMA4CTL_H	Read/write	Byte	01h	00h
DMA Channel 4 Source Address	DMA4SA	Read/write		02h	undefined
DMA Channel 4 Destination Address	DMA4DA	Read/write		06h	undefined
DMA Channel 4 Transfer Size	DMA4SZ	Read/write	Word	0Ah	undefined
	DMA4SZ_L	Read/write	Byte	0Ah	undefined
	DMA4SZ_H	Read/write	Byte	0Bh	undefined
DMA Channel 5 Control	DMA5CTL	Read/write	Word	00h	0000h
	DMA5CTL_L	Read/write	Byte	00h	00h
	DMA5CTL_H	Read/write	Byte	01h	00h
DMA Channel 5 Source Address	DMA5SA	Read/write		02h	undefined
DMA Channel 5 Destination Address	DMA5DA	Read/write		06h	undefined
DMA Channel 5 Transfer Size	DMA5SZ	Read/write	Word	0Ah	undefined
	DMA5SZ_L	Read/write	Byte	0Ah	undefined
	DMA5SZ_H	Read/write	Byte	0Bh	undefined
DMA Channel 6 Control	DMA6CTL	Read/write	Word	00h	0000h
	DMA6CTL_L	Read/write	Byte	00h	00h
	DMA6CTL_H	Read/write	Byte	01h	00h
DMA Channel 6 Source Address	DMA6SA	Read/write		02h	undefined
DMA Channel 6 Destination Address	DMA6DA	Read/write		06h	undefined
DMA Channel 6 Transfer Size	DMA6SZ	Read/write	Word	0Ah	undefined
	DMA6SZ_L	Read/write	Byte	0Ah	undefined
	DMA6SZ_H	Read/write	Byte	0Bh	undefined
DMA Channel 7 Control	DMA7CTL	Read/write	Word	00h	0000h
	DMA7CTL_L	Read/write	Byte	00h	00h
	DMA7CTL_H	Read/write	Byte	01h	00h
DMA Channel 7 Source Address	DMA7SA	Read/write		02h	undefined
DMA Channel 7 Destination Address	DMA7DA	Read/write		06h	undefined
DMA Channel 7 Transfer Size	DMA7SZ	Read/write	Word	0Ah	undefined
	DMA7SZ_L	Read/write	Byte	0Ah	undefined
	DMA7SZ_H	Read/write	Byte	0Bh	undefined



**DMA Control 0 Register (DMACTL0)**

15	14	13	12	11	10	9	8
Reserved			DMA1TSEL				
r0	r0	r0	rw-(0)	rw-(0)	rw-(0)	rw-(0)	rw-(0)
7	6	5	4	3	2	1	0
Reserved			DMA0TSEL				
r0	r0	r0	rw-(0)	rw-(0)	rw-(0)	rw-(0)	rw-(0)

**Reserved** Bits 15-13 Reserved. Read only. Always read as 0.

**DMA1TSEL** Bits 12-8 DMA trigger select. These bits select the DMA transfer trigger. See the device-specific data sheet for number of channels and trigger assignment.

00000 DMA1TRIG0

00001 DMA1TRIG1

00010 DMA1TRIG2

⋮

11110 DMA1TRIG30

11111 DMA1TRIG31

**Reserved** Bits 7-5 Reserved. Read only. Always read as 0.

**DMA0TSEL** Bits 4-0 Same as DMA1TSEL

**DMA Control 1 Register (DMACTL1)**

15	14	13	12	11	10	9	8
Reserved			DMA3TSEL				
r0	r0	r0	rw-(0)	rw-(0)	rw-(0)	rw-(0)	rw-(0)
7	6	5	4	3	2	1	0
Reserved			DMA2TSEL				
r0	r0	r0	rw-(0)	rw-(0)	rw-(0)	rw-(0)	rw-(0)

**Reserved** Bits 15-13 Reserved. Read only. Always read as 0.

**DMA3TSEL** Bits 12-8 DMA trigger select. These bits select the DMA transfer trigger. See the device-specific data sheet for number of channels and trigger assignment.

00000 DMA3TRIG0

00001 DMA3TRIG1

00010 DMA3TRIG2

⋮

11110 DMA3TRIG30

11111 DMA3TRIG31

**Reserved** Bits 7-5 Reserved. Read only. Always read as 0.

**DMA2TSEL** Bits 4-0 Same as DMA3TSEL

**DMA Control 2 Register (DMACTL2)**

www.ti.com

**DMA Control 2 Register (DMACTL2)**

15	14	13	12	11	10	9	8
<b>Reserved</b>			<b>DMA5TSEL</b>				
r0	r0	r0	rw-(0)	rw-(0)	rw-(0)	rw-(0)	rw-(0)
7	6	5	4	3	2	1	0
<b>Reserved</b>			<b>DMA4TSEL</b>				
r0	r0	r0	rw-(0)	rw-(0)	rw-(0)	rw-(0)	rw-(0)

**Reserved** Bits 15-13 Reserved. Read only. Always read as 0.**DMA5TSEL** Bits 12-8 DMA trigger select. These bits select the DMA transfer trigger. See the device-specific data sheet for number of channels and trigger assignment.

00000 DMA5TRIG0

00001 DMA5TRIG1

00010 DMA5TRIG2

⋮

11110 DMA5TRIG30

11111 DMA5TRIG31

**Reserved** Bits 7-5 Reserved. Read only. Always read as 0.**DMA4TSEL** Bits 4-0 Same as DMA5TSEL**DMA Control 3 Register (DMACTL3)**

15	14	13	12	11	10	9	8
<b>Reserved</b>			<b>DMA7TSEL</b>				
r0	r0	r0	rw-(0)	rw-(0)	rw-(0)	rw-(0)	rw-(0)
7	6	5	4	3	2	1	0
<b>Reserved</b>			<b>DMA6TSEL</b>				
r0	r0	r0	rw-(0)	rw-(0)	rw-(0)	rw-(0)	rw-(0)

**Reserved** Bits 15-13 Reserved. Read only. Always read as 0.**DMA7TSEL** Bits 12-8 DMA trigger select. These bits select the DMA transfer trigger. See the device-specific data sheet for number of channels and trigger assignment.

00000 DMA7TRIG0

00001 DMA7TRIG1

00010 DMA7TRIG2

⋮

11110 DMA7TRIG30

11111 DMA7TRIG31

**Reserved** Bits 7-5 Reserved. Read only. Always read as 0.**DMA6TSEL** Bits 4-0 Same as DMA7TSEL

**DMA Control 4 Register (DMACTL4)**

15	14	13	12	11	10	9	8
0	0	0	0	0	0	0	0
r0	r0	r0	r0	r0	r0	r0	r0
7	6	5	4	3	2	1	0
0	0	0	0	0	DMARMWDIS	ROUND ROBIN	ENNMI
r0	r0	r0	r0	r0	rw-(0)	rw-(0)	rw-(0)

<b>Reserved</b>	Bits 15-3	Reserved. Read only. Always read as 0.
<b>DMARMWDIS</b>	Bit 2	Read-modify-write disable. When set, this bit inhibits any DMA transfers from occurring during CPU read-modify-write operations. 0 DMA transfers can occur during read-modify-write CPU operations. 1 DMA transfers inhibited during read-modify-write CPU operations
<b>ROUNDROBIN</b>	Bit 1	Round robin. This bit enables the round-robin DMA channel priorities. 0 DMA channel priority is DMA0-DMA1-DMA2 - ..... -DMA7. 1 DMA channel priority changes with each transfer.
<b>ENNMI</b>	Bit 0	Enable NMI. This bit enables the interruption of a DMA transfer by an NMI. When an NMI interrupts a DMA transfer, the current transfer is completed normally, further transfers are stopped and DMAABORT is set. 0 NMI does not interrupt DMA transfer. 1 NMI interrupts a DMA transfer.

**DMA Channel x Control Register (DMAxCTL)**

15	14	13	12	11	10	9	8
<b>Reserved</b>	<b>DMADT</b>			<b>DMADSTINCR</b>		<b>DMASRCINCR</b>	
r0	rw-(0)	rw-(0)	rw-(0)	rw-(0)	rw-(0)	rw-(0)	rw-(0)
7	6	5	4	3	2	1	0
<b>DMA DSTBYTE</b>	<b>DMA SRCBYTE</b>	<b>DMALEVEL</b>	<b>DMAEN</b>	<b>DMAIFG</b>	<b>DMAIE</b>	<b>DMAABORT</b>	<b>DMAREQ</b>
rw-(0)	rw-(0)	rw-(0)	rw-(0)	rw-(0)	rw-(0)	rw-(0)	rw-(0)

<b>Reserved</b>	Bit 15	Reserved. Read only. Always read as 0.
<b>DMADT</b>	Bits 14-12	<p>DMA transfer mode</p> <p>000 Single transfer</p> <p>001 Block transfer</p> <p>010 Burst-block transfer</p> <p>011 Burst-block transfer</p> <p>100 Repeated single transfer</p> <p>101 Repeated block transfer</p> <p>110 Repeated burst-block transfer</p> <p>111 Repeated burst-block transfer</p>
<b>DMADSTINCR</b>	Bits 11-10	<p>DMA destination increment. This bit selects automatic incrementing or decrementing of the destination address after each byte or word transfer. When DMADSTBYTE = 1, the destination address increments/decrements by one. When DMADSTBYTE = 0, the destination address increments/decrements by two. The DMAxDA is copied into a temporary register and the temporary register is incremented or decremented. DMAxDA is not incremented or decremented.</p> <p>00 Destination address is unchanged.</p> <p>01 Destination address is unchanged.</p> <p>10 Destination address is decremented.</p> <p>11 Destination address is incremented.</p>
<b>DMASRCINCR</b>	Bits 9-8	<p>DMA source increment. This bit selects automatic incrementing or decrementing of the source address for each byte or word transfer. When DMASRCBYTE = 1, the source address increments/decrements by one. When DMASRCBYTE = 0, the source address increments/decrements by two. The DMAxSA is copied into a temporary register and the temporary register is incremented or decremented. DMAxSA is not incremented or decremented.</p> <p>00 Source address is unchanged.</p> <p>01 Source address is unchanged.</p> <p>10 Source address is decremented.</p> <p>11 Source address is incremented.</p>
<b>DMADSTBYTE</b>	Bit 7	<p>DMA destination byte. This bit selects the destination as a byte or word.</p> <p>0 Word</p> <p>1 Byte</p>
<b>DMASRCBYTE</b>	Bit 6	<p>DMA source byte. This bit selects the source as a byte or word.</p> <p>0 Word</p> <p>1 Byte</p>
<b>DMALEVEL</b>	Bit 5	<p>DMA level. This bit selects between edge-sensitive and level-sensitive triggers.</p> <p>0 Edge sensitive (rising edge)</p> <p>1 Level sensitive (high level)</p>
<b>DMAEN</b>	Bit 4	<p>DMA enable</p> <p>0 Disabled</p> <p>1 Enabled</p>



---

<b>DMAIFG</b>	Bit 3	DMA interrupt flag
		0 No interrupt pending
		1 Interrupt pending
<b>DMAIE</b>	Bit 2	DMA interrupt enable
		0 Disabled
		1 Enabled
<b>DMAABORT</b>	Bit 1	DMA abort. This bit indicates if a DMA transfer was interrupt by an NMI.
		0 DMA transfer not interrupted
		1 DMA transfer interrupted by NMI
<b>DMAREQ</b>	Bit 0	DMA request. Software-controlled DMA start. DMAREQ is reset automatically.
		0 No DMA start
		1 Start DMA

**DMA Source Address Register (DMAxSA)**

31	30	29	28	27	26	25	24
<b>Reserved</b>							
r0	r0	r0	r0	r0	r0	r0	r0
23	22	21	20	19	18	17	16
<b>Reserved</b>				<b>DMAxSA</b>			
r0	r0	r0	r0	rw	rw	rw	rw
15	14	13	12	11	10	9	8
<b>DMAxSA</b>							
rw	rw	rw	rw	rw	rw	rw	rw
7	6	5	4	3	2	1	0
<b>DMAxSA</b>							
rw	rw	rw	rw	rw	rw	rw	rw

**Reserved** Bits 31-20 Reserved. Read only. Always read as 0.

**DMAxSA** Bits 15-0 DMA source address. The source address register points to the DMA source address for single transfers or the first source address for block transfers. The source address register remains unchanged during block and burst-block transfers. There are two words for the DMAxSA register. Bits 31–20 are reserved and always read as zero. Reading or writing bits 19-16 requires the use of extended instructions. When writing to DMAxSA with word instructions, bits 19–16 are cleared.

**DMA Destination Address Register (DMAxDA)**

31	30	29	28	27	26	25	24
<b>Reserved</b>							
r0	r0	r0	r0	r0	r0	r0	r0
23	22	21	20	19	18	17	16
<b>Reserved</b>				<b>DMAxDA</b>			
r0	r0	r0	r0	rw	rw	rw	rw
15	14	13	12	11	10	9	8
<b>DMAxDA</b>							
rw	rw	rw	rw	rw	rw	rw	rw
7	6	5	4	3	2	1	0
<b>DMAxDA</b>							
rw	rw	rw	rw	rw	rw	rw	rw

**Reserved** Bits 31-20 Reserved. Read only. Always read as 0.

**DMAxDA** Bits 15-0 DMA destination address. The destination address register points to the DMA destination address for single transfers or the first destination address for block transfers. The destination address register remains unchanged during block and burst-block transfers. There are two words for the DMAxDA register. Bits 31–20 are reserved and always read as zero. Reading or writing bits 19–16 requires the use of extended instructions. When writing to DMAxDA with word instructions, bits 19–16 are cleared.

**DMA Size Address Register (DMAxSZ)**

15	14	13	12	11	10	9	8
<b>DMAxSZ</b>							
rw	rw	rw	rw	rw	rw	rw	rw
7	6	5	4	3	2	1	0
<b>DMAxSZ</b>							
rw	rw	rw	rw	rw	rw	rw	rw

<b>DMAxSZ</b>	Bits 15-0	DMA size. The DMA size register defines the number of byte/word data per block transfer. DMAxSZ register decrements with each word or byte transfer. When DMAxSZ decrements to 0, it is immediately and automatically reloaded with its previously initialized value.
	00000h	Transfer is disabled.
	00001h	One byte or word is transferred.
	00002h	Two bytes or words are transferred.
	:	
	0FFFFh	65535 bytes or words are transferred.

**DMA Interrupt Vector Register (DMAIV)**

15	14	13	12	11	10	9	8	
<b>0</b>	<b>0</b>	<b>0</b>	<b>0</b>	<b>0</b>	<b>0</b>	<b>0</b>	<b>0</b>	
r0	r0	r0	r0	r0	r0	r0	r0	
7	6	5	4	3	2	1	0	
<b>0</b>	<b>0</b>	<b>DMAIV</b>						<b>0</b>
r0	r0	r(0)	r(0)	r(0)	r(0)	r(0)	r0	

<b>DMAIV</b>	Bits 15-0	DMA interrupt vector value
--------------	-----------	----------------------------

DMAIV Contents	Interrupt Source	Interrupt Flag	Interrupt Priority
00h	No interrupt pending		
02h	DMA channel 0	DMA0IFG	Highest
04h	DMA channel 1	DMA1IFG	
06h	DMA channel 2	DMA2IFG	
08h	DMA channel 3	DMA3IFG	
0Ah	DMA channel 4	DMA4IFG	
0Ch	DMA channel 5	DMA5IFG	
0Eh	DMA channel 6	DMA6IFG	
10h	DMA channel 7	DMA7IFG	Lowest







## 32-Bit Hardware Multiplier (MPY32)

---

---

---

This chapter describes the 32-bit hardware multiplier (MPY32). The MPY32 module is implemented in all devices.

Topic	Page
11.1 32-Bit Hardware Multiplier (MPY32) Introduction .....	330
11.2 MPY32 Operation.....	332
11.3 MPY32 Registers .....	345

## 11.1 32-Bit Hardware Multiplier (MPY32) Introduction

The MPY32 is a peripheral and is not part of the CPU. This means its activities do not interfere with the CPU activities. The multiplier registers are peripheral registers that are loaded and read with CPU instructions.

The MPY32 supports:

- Unsigned multiply
- Signed multiply
- Unsigned multiply accumulate
- Signed multiply accumulate
- 8-bit, 16-bit, 24-bit, and 32-bit operands
- Saturation
- Fractional numbers
- 8-bit and 16-bit operation compatible with 16-bit hardware multiplier
- 8-bit and 24-bit multiplications without requiring a "sign extend" instruction

The MPY32 block diagram is shown in [Figure 11-1](#).

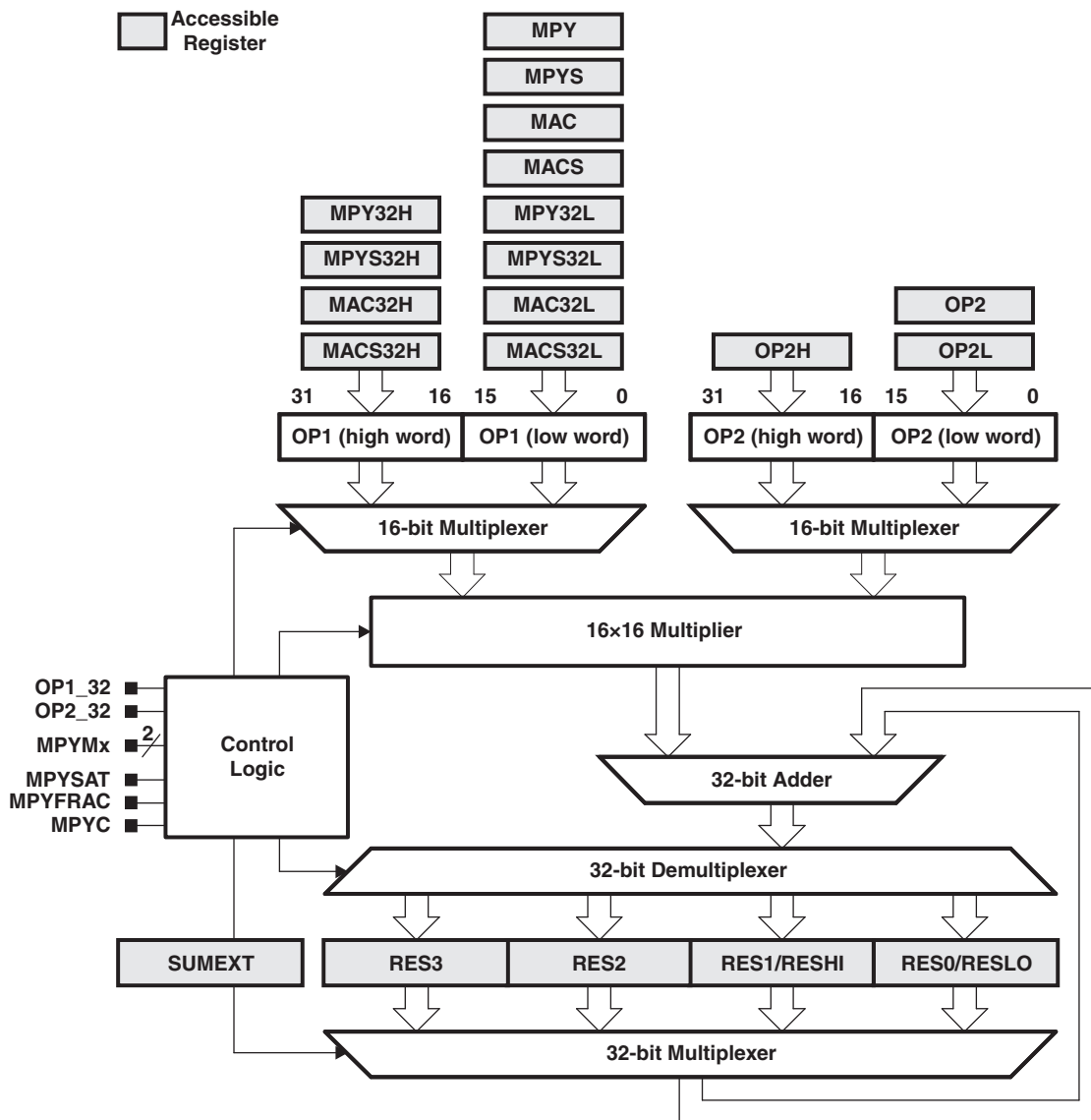


Figure 11-1. MPY32 Block Diagram

## 11.2 MPY32 Operation

The MPY32 supports 8-bit, 16-bit, 24-bit, and 32-bit operands with unsigned multiply, signed multiply, unsigned multiply-accumulate, and signed multiply-accumulate operations. The size of the operands are defined by the address the operand is written to and if it is written as word or byte. The type of operation is selected by the address the first operand is written to.

The hardware multiplier has two 32-bit operand registers – operand one (OP1) and operand two (OP2), and a 64-bit result register accessible via registers RES0 to RES3. For compatibility with the 16×16 hardware multiplier, the result of a 8-bit or 16-bit operation is accessible via RESLO, RESHI, and SUMEXT, as well. RESLO stores the low word of the 16×16-bit result, RESHI stores the high word of the result, and SUMEXT stores information about the result.

The result of a 8-bit or 16-bit operation is ready in three MCLK cycles and can be read with the next instruction after writing to OP2, except when using an indirect addressing mode to access the result. When using indirect addressing for the result, a `NOP` is required before the result is ready.

The result of a 24-bit or 32-bit operation can be read with successive instructions after writing OP2 or OP2H starting with RES0, except when using an indirect addressing mode to access the result. When using indirect addressing for the result, a `NOP` is required before the result is ready.

[Table 11-1](#) summarizes when each word of the 64-bit result is available for the various combinations of operand sizes. With a 32-bit-wide second operand, OP2L and OP2H must be written. Depending on when the two 16-bit parts are written, the result availability may vary; thus, the table shows two entries, one for OP2L written and one for OP2H written. The worst case defines the actual result availability.

**Table 11-1. Result Availability (MPYFRAC = 0, MPYSAT = 0)**

Operation (OP1 × OP2)	Result Ready in MCLK Cycles					After
	RES0	RES1	RES2	RES3	MPYC Bit	
8/16 × 8/16	3	3	4	4	3	OP2 written
24/32 × 8/16	3	5	6	7	7	OP2 written
8/16 × 24/32	3	5	6	7	7	OP2L written
	N/A	3	4	4	4	OP2H written
24/32 × 24/32	3	8	10	11	11	OP2L written
	N/A	3	5	6	6	OP2H written

### 11.2.1 Operand Registers

Operand one (OP1) has 12 registers (see [Table 11-2](#)) used to load data into the multiplier and also select the multiply mode. Writing the low word of the first operand to a given address selects the type of multiply operation to be performed, but does not start any operation. When writing a second word to a high-word register with suffix 32H, the multiplier assumes a 32-bit-wide OP1, otherwise, 16 bits are assumed. The last address written prior to writing OP2 defines the width of the first operand. For example, if MPY32L is written first followed by MPY32H, all 32 bits are used and the data width of OP1 is set to 32 bits. If MPY32H is written first followed by MPY32L, the multiplication ignores MPY32H and assumes a 16-bit-wide OP1 using the data written into MPY32L.

Repeated multiply operations may be performed without reloading OP1 if the OP1 value is used for successive operations. It is not necessary to rewrite the OP1 value to perform the operations.

**Table 11-2. OP1 Registers**

OP1 Register	Operation
MPY	Unsigned multiply – operand bits 0 up to 15
MPYS	Signed multiply – operand bits 0 up to 15
MAC	Unsigned multiply accumulate – operand bits 0 up to 15
MACS	Signed multiply accumulate – operand bits 0 up to 15
MPY32L	Unsigned multiply – operand bits 0 up to 15
MPY32H	Unsigned multiply – operand bits 16 up to 31
MPYS32L	Signed multiply – operand bits 0 up to 15
MPYS32H	Signed multiply – operand bits 16 up to 31
MAC32L	Unsigned multiply accumulate – operand bits 0 up to 15
MAC32H	Unsigned multiply accumulate – operand bits 16 up to 31
MACS32L	Signed multiply accumulate – operand bits 0 up to 15
MACS32H	Signed multiply accumulate – operand bits 16 up to 31

Writing the second operand to the OP2 initiates the multiply operation. Writing OP2 starts the selected operation with a 16-bit-wide second operand together with the values stored in OP1. Writing OP2L starts the selected operation with a 32-bit-wide second operand and the multiplier expects a the high word to be written to OP2H. Writing to OP2H without a preceding write to OP2L is ignored.

**Table 11-3. OP2 Registers**

OP2 Register	Operation
OP2	Start multiplication with 16-bit-wide OP2 – operand bits 0 up to 15
OP2L	Start multiplication with 32-bit-wide OP2 – operand bits 0 up to 15
OP2H	Continue multiplication with 32-bit-wide OP2 – operand bits 16 up to 31

For 8-bit or 24-bit operands, the operand registers can be accessed with byte instructions. Accessing the multiplier with a byte instruction during a signed operation automatically causes a sign extension of the byte within the multiplier module. For 24-bit operands, only the high word should be written as byte. If the 24-bit operands are sign-extended as defined by the register, that is used to write the low word to, because this register defines if the operation is unsigned or signed.

The high-word of a 32-bit operand remains unchanged when changing the size of the operand to 16 bit, either by modifying the operand size bits or by writing to the respective operand register. During the execution of the 16-bit operation, the content of the high-word is ignored.

---

**Note: Changing of first or second operand during multiplication**

By default, changing OP1 or OP2 while the selected multiply operation is being calculated renders any results invalid that are not ready at the time the new operand(s) are changed. Writing OP2 or OP2L aborts any ongoing calculation and starts a new operation. Results that are not ready at that time are also invalid for following MAC or MACS operations.

To avoid this behavior, the MPYDLYWRNEN bit can be set to 1. Then, all writes to any MPY32 registers are delayed with MPYDLY32 = 0 until the 64-bit result is ready or with MPYDLY32 = 1 until the 32-bit result is ready. For MAC and MACS operations, the complete 64-bit result should always be ready.

See [Table 11-1](#) for how many CPU cycles are needed until a certain result register is ready and valid for each of the different modes.

---

### 11.2.2 Result Registers

The multiplication result is always 64 bits wide. It is accessible via registers RES0 to RES3. Used with a signed operation, MPYS or MACS, the results are appropriately sign extended. If the result registers are loaded with initial values before a MACS operation, the user software must take care that the written value is properly sign extended to 64 bits.

---

**Note: Changing of result registers during multiplication**

The result registers must not be modified by the user software after writing the second operand into OP2 or OP2L until the initiated operation is completed.

---

In addition to RES0 to RES3, for compatibility with the 16×16 hardware multiplier, the 32-bit result of a 8-bit or 16-bit operation is accessible via RESLO, RESHI, and SUMEXT. In this case, the result low register RESLO holds the lower 16 bits of the calculation result and the result high register RESHI holds the upper 16 bits. RES0 and RES1 are identical to RESLO and RESHI, respectively, in usage and access of calculated results.

The sum extension register SUMEXT contents depend on the multiply operation and are listed in [Table 11-4](#). If all operands are 16 bits wide or less, the 32-bit result is used to determine sign and carry. If one of the operands is larger than 16 bits, the 64-bit result is used.

The MPYC bit reflects the multiplier's carry as listed in [Table 11-4](#) and, thus, can be used as 33rd or 65th bit of the result, if fractional or saturation mode is not selected. With MAC or MACS operations, the MPYC bit reflects the carry of the 32-bit or 64-bit accumulation and is not taken into account for successive MAC and MACS operations as the 33rd or 65th bit.

**Table 11-4. SUMEXT and MPYC Contents**

Mode	SUMEXT	MPYC
MPY	SUMEXT is always 0000h.	MPYC is always 0.
MPYS	SUMEXT contains the extended sign of the result.	MPYC contains the sign of the result.
	00000h Result was positive or zero	0 Result was positive or zero
	0FFFFh Result was negative	1 Result was negative
MAC	SUMEXT contains the carry of the result.	MPYC contains the carry of the result.
	0000h No carry for result	0 No carry for result
	0001h Result has a carry	1 Result has a carry
MACS	SUMEXT contains the extended sign of the result.	MPYC contains the carry of the result.
	00000h Result was positive or zero	0 No carry for result
	0FFFFh Result was negative	1 Result has a carry

### MACS Underflow and Overflow

The multiplier does not automatically detect underflow or overflow in MACS mode. For example, working with 16-bit input data and 32-bit results (i.e., using only RESLO and RESHI), the available range for positive numbers is 0 to 07FFF FFFFh and for negative numbers is 0FFFF FFFFh to 08000 0000h. An underflow occurs when the sum of two negative numbers yields a result that is in the range for a positive number. An overflow occurs when the sum of two positive numbers yields a result that is in the range for a negative number.

The SUMEXT register contains the sign of the result in both cases described above, 0FFFFh for a 32-bit overflow and 0000h for a 32-bit underflow. The MPYC bit in MPY32CTL0 can be used to detect the overflow condition. If the carry is different from the sign reflected by the SUMEXT register, an overflow or underflow occurred. User software must handle these conditions appropriately.

### 11.2.3 Software Examples

Examples for all multiplier modes follow. All 8×8 modes use the absolute address for the registers, because the assembler does not allow .B access to word registers when using the labels from the standard definitions file.

There is no sign extension necessary in software. Accessing the multiplier with a byte instruction during a signed operation automatically causes a sign extension of the byte within the multiplier module.

```

; 32x32 Unsigned Multiply
MOV    #01234h,&MPY32L    ; Load low word of 1st operand
MOV    #01234h,&MPY32H    ; Load high word of 1st operand
MOV    #05678h,&OP2L     ; Load low word of 2nd operand
MOV    #05678h,&OP2H     ; Load high word of 2nd operand
; ...                      ; Process results

; 16x16 Unsigned Multiply
MOV    #01234h,&MPY       ; Load 1st operand
MOV    #05678h,&OP2      ; Load 2nd operand
; ...                      ; Process results

; 8x8 Unsigned Multiply. Absolute addressing.
MOV.B  #012h,&MPY_B      ; Load 1st operand
MOV.B  #034h,&OP2_B      ; Load 2nd operand
; ...                      ; Process results

; 32x32 Signed Multiply
MOV    #01234h,&MPYS32L  ; Load low word of 1st operand
MOV    #01234h,&MPYS32H  ; Load high word of 1st operand
MOV    #05678h,&OP2L     ; Load low word of 2nd operand
MOV    #05678h,&OP2H     ; Load high word of 2nd operand
; ...                      ; Process results

; 16x16 Signed Multiply
MOV    #01234h,&MPYS     ; Load 1st operand
MOV    #05678h,&OP2      ; Load 2nd operand
; ...                      ; Process results

; 8x8 Signed Multiply. Absolute addressing.
MOV.B  #012h,&MPYS_B     ; Load 1st operand
MOV.B  #034h,&OP2_B     ; Load 2nd operand
; ...                      ; Process results

```

### 11.2.4 Fractional Numbers

The MPY32 provides support for fixed-point signal processing. In fixed-point signal processing, fractional numbers are represented by using a fixed decimal point. To classify different ranges of decimal numbers, a Q-format is used. Different Q-formats represent different locations of the decimal point. Figure 11-2 shows the format of a signed Q15 number using 16 bits. Every bit after the decimal point has a resolution of  $1/2$ , the most significant bit (MSB) is used as the sign bit. The most negative number is 08000h and the maximum positive number is 07FFFh. This gives a range from  $-1.0$  to  $0.999969482 \approx 1.0$  for the signed Q15 format with 16 bits.

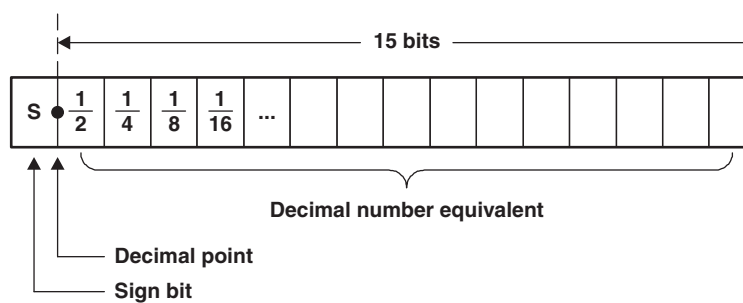
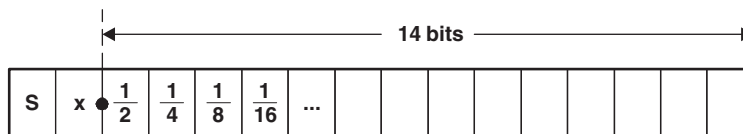


Figure 11-2. Q15 Format Representation



The range can be increased by shifting the decimal point to the right as shown in Figure 11-3. The signed Q14 format with 16 bits gives a range from  $-2.0$  to  $1.999938965 \approx 2.0$ .



**Figure 11-3. Q14 Format Representation**

The benefit of using 16-bit signed Q15 or 32-bit signed Q31 numbers with multiplication is that the product of two number in the range from  $-1.0$  to  $1.0$  is always in that same range.

### Fractional Number Mode

Multiplying two fractional numbers using the default multiplication mode with  $MPYFRAC = 0$  and  $MPYSAT = 0$  gives a result with two sign bits. For example, if two 16-bit Q15 numbers are multiplied, a 32-bit result in Q30 format is obtained. To convert the result into Q15 format manually, the first 15 trailing bits and the extended sign bit must be removed. However, when the fractional mode of the multiplier is used, the redundant sign bit is automatically removed, yielding a result in Q31 format for the multiplication of two 16-bit Q15 numbers. Reading the result register RES1 gives the result as 16-bit Q15 number. The 32-bit Q31 result of a multiplication of two 32-bit Q31 numbers is accessed by reading registers RES2 and RES3.

The fractional mode is enabled with  $MPYFRAC = 1$  in register MPY32CTL0. The actual content of the result register(s) is not modified when  $MPYFRAC = 1$ . When the result is accessed using software, the value is left shifted one bit, resulting in the final Q formatted result. This allows user software to switch between reading both the shifted (fractional) and the unshifted result. The fractional mode should only be enabled when required and disabled after use.

In fractional mode, the SUMEXT register contains the sign extended bits 32 and 33 of the shifted result for  $16 \times 16$ -bit operations and bits 64 and 65 for  $32 \times 32$ -bit operations – not only bits 32 or 64, respectively.

The MPYC bit is not affected by the fractional mode. It always reads the carry of the nonfractional result.

```

; Example using
; Fractional 16x16 multiplication
BIS      #MPYFRAC, &MPY32CTL0    ; Turn on fractional mode
MOV      &FRACT1, &MPYS          ; Load 1st operand as Q15
MOV      &FRACT2, &OP2           ; Load 2nd operand as Q15
MOV      &RES1, &PROD            ; Save result as Q15
BIC      #MPYFRAC, &MPY32CTL0    ; Back to normal mode

```

**Table 11-5. Result Availability in Fractional Mode ( $MPYFRAC = 1$ ,  $MPYSAT = 0$ )**

Operation (OP1 $\times$ OP2)	Result Ready in MCLK Cycles					After
	RES0	RES1	RES2	RES3	MPYC Bit	
8/16 $\times$ 8/16	3	3	4	4	3	OP2 written
24/32 $\times$ 8/16	3	5	6	7	7	OP2 written
8/16 $\times$ 24/32	3	5	6	7	7	OP2L written
	N/A	3	4	4	4	OP2H written
24/32 $\times$ 24/32	3	8	10	11	11	OP2L written
	N/A	3	5	6	6	OP2H written

### Saturation Mode

The multiplier prevents overflow and underflow of signed operations in saturation mode. The saturation mode is enabled with  $MPYSAT = 1$  in register MPY32CTL0. If an overflow occurs, the result is set to the most-positive value available. If an underflow occurs, the result is set to the most-negative value available. This is useful to reduce mathematical artifacts in control systems on overflow and underflow conditions. The saturation mode should only be enabled when required and disabled after use.

The actual content of the result register(s) is not modified when MPYSAT = 1. When the result is accessed using software, the value is automatically adjusted providing the most-positive or most-negative result when an overflow or underflow has occurred. The adjusted result is also used for successive multiply-and-accumulate operations. This allows user software to switch between reading the saturated and the nonsaturated result.

With 16×16 operations, the saturation mode only applies to the least significant 32 bits, i.e., the result registers RES0 and RES1. Using the saturation mode in MAC or MACS operations that mix 16×16 operations with 32×32, 16×32, or 32×16 operations leads to unpredictable results.

With 32×32, 16×32, and 32×16 operations, the saturated result can only be calculated when RES3 is ready. In non-5xx devices, reading RES0 to RES2 prior to the complete result being ready delivers the nonsaturated results independent of the MPYSAT bit setting.

Enabling the saturation mode does not affect the content of the SUMEXT register nor the content of the MPYC bit.

```

; Example using
; Fractional 16x16 multiply accumulate with Saturation
; Turn on fractional and saturation mode:
BIS      #MPYSAT+MPYFRAC,&MPY32CTL0
MOV      &A1,&MPYS          ; Load A1 for 1st term
MOV      &K1,&OP2           ; Load K1 to get A1*K1
MOV      &A2,&MACS         ; Load A2 for 2nd term
MOV      &K2,&OP2           ; Load K2 to get A2*K2
MOV      &RES1,&PROD        ; Save A1*K1+A2*K2 as result
BIC      #MPYSAT+MPYFRAC,&MPY32CTL0 ; turn back to normal

```

**Table 11-6. Result Availability in Saturation Mode (MPYSAT = 1)**

Operation (OP1 × OP2)	Result Ready in MCLK Cycles					MPYC Bit	After
	RES0	RES1	RES2	RES3			
8/16 × 8/16	3	3	N/A	N/A	3	OP2 written	
24/32 × 8/16	7	7	7	7	7	OP2 written	
8/16 × 24/32	7	7	7	7	7	OP2L written	
	4	4	4	4	4	OP2H written	
24/32 × 24/32	11	11	11	11	11	OP2L written	
	6	6	6	6	6	OP2H written	

Figure 11-4 shows the flow for 32-bit saturation used for 16×16 bit multiplications and the flow for 64-bit saturation used in all other cases. Primarily, the saturated results depends on the carry bit MPYC and the MSB of the result. Secondly, if the fractional mode is enabled, it depends also on the two MSBs of the unshift result, i.e., the result that is read with fractional mode disabled.

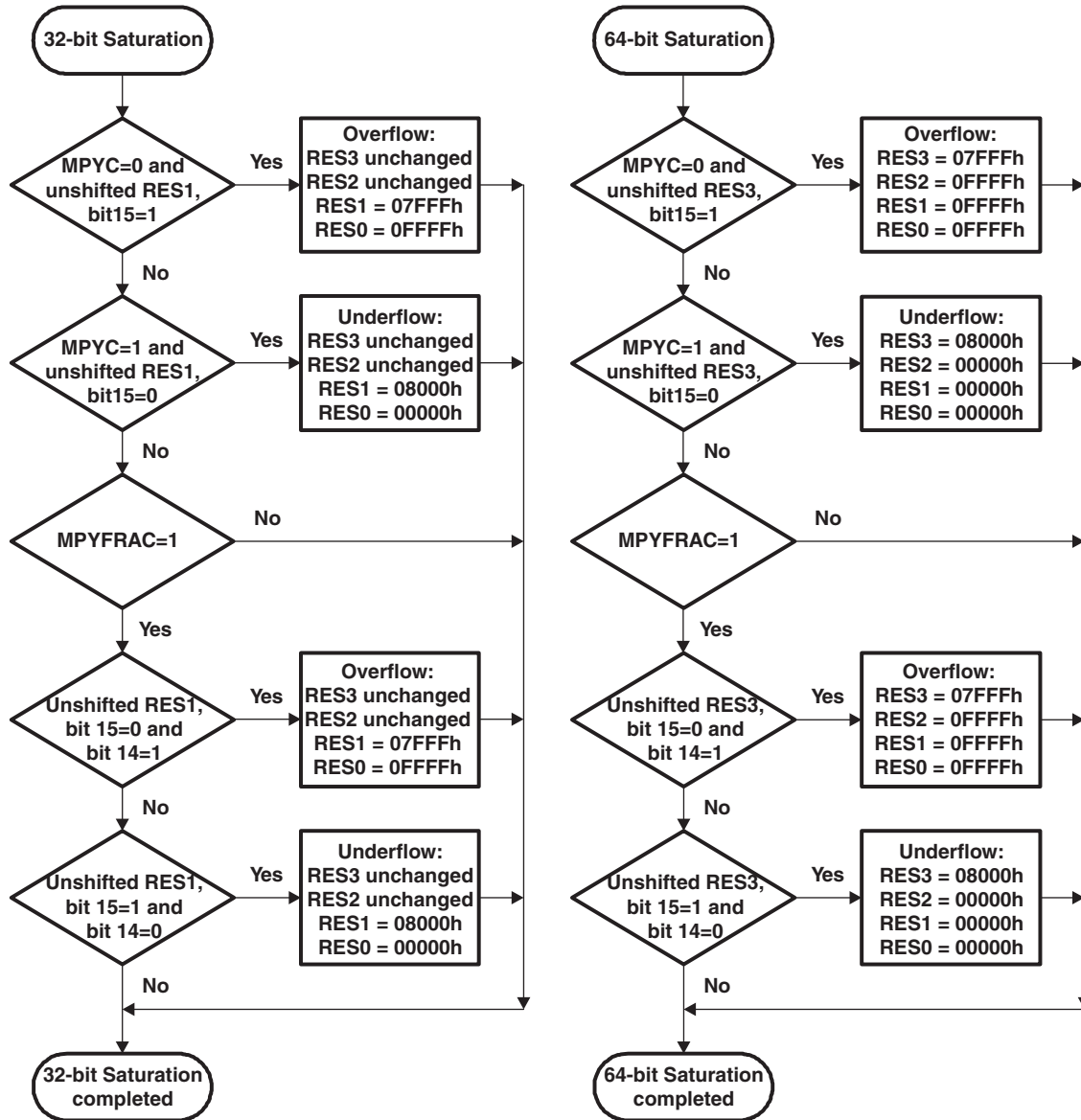


Figure 11-4. Saturation Flow Chart

**Note: Saturation in fractional mode**

In case of multiplying  $-1.0 \times -1.0$  in fractional mode, the result of  $+1.0$  is out of range, thus, the saturated result gives the most positive result.

When using multiply-and-accumulate operations, the accumulated values are saturated as if  $MPYFRAC = 0$  – only during read accesses to the result registers the values are saturated taking the fractional mode into account. This provides additional dynamic range during the calculation and only the end result is then saturated if needed.

The following example illustrates a special case showing the saturation function in fractional mode. It also uses the 8-bit functionality of the MPY32 module.

```

; Turn on fractional and saturation mode,
; clear all other bits in MPY32CTL0:
MOV      #MPYSAT+MPYFRAC,&MPY32CTL0
;Pre-load result registers to demonstrate overflow
MOV      #0,&RES3          ;
MOV      #0,&RES2          ;
MOV      #07FFFh,&RES1     ;
MOV      #0FA60h,&RES0     ;
MOV.B    #050h,&MACS_B     ; 8-bit signed MAC operation
MOV.B    #012h,&OP2_B     ; Start 16x16 bit operation
MOV      &RES0,R6         ; R6 = 0FFFFh
MOV      &RES1,R7         ; R7 = 07FFFh

```

The result is saturated because already the result not converted into a fractional number shows an overflow. The multiplication of the two positive numbers 00050h and 00012h gives 005A0h. 005A0h added to 07FFF FA60h results in 8000 059Fh, without MPYC being set. Because the MSB of the unmodified result RES1 is 1 and MPYC = 0, the result is saturated according [Figure 11-4](#).

---

**Note: Validity of saturated result**

The saturated result is only valid if the registers RES0 to RES3, the size of OP1 and OP2, and MPYC are not modified.

If the saturation mode is used with a preloaded result, user software must ensure that MPYC in the MPY32CTL0 register is loaded with the sign bit of the written result, otherwise, the saturation mode erroneously saturates the result.

---

### 11.2.5 Putting It All Together

Figure 11-5 shows the complete multiplication flow, depending on the various selectable modes for the MPY32 module.

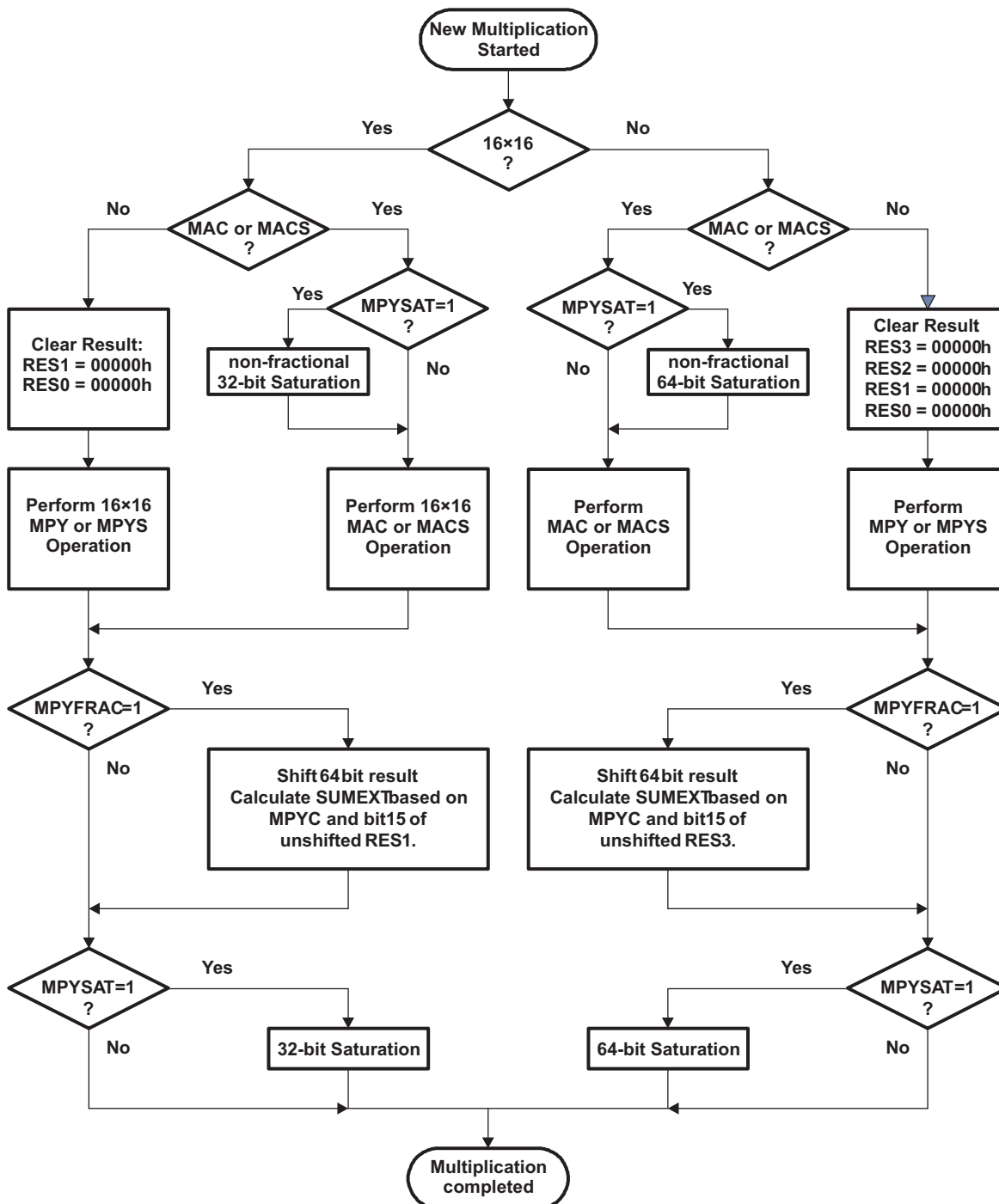


Figure 11-5. Multiplication Flow Chart

Given the separation in processing of 16-bit operations (32-bit results) and 32-bit operations (64-bit results) by the module, it is important to understand the implications when using MAC/MACS operations and mixing 16-bit operands/results with 32-bit operands/results. User software must address these points during usage when mixing these operations. The following code snippet illustrates the issue.

```

; Mixing 32x24 multiplication with 16x16 MACS operation
MOV     #MPYSAT,&MPY32CTL0    ; Saturation mode
MOV     #052C5h,&MPY32L      ; Load low word of 1st operand
MOV     #06153h,&MPY32H      ; Load high word of 1st operand
MOV     #001ABh,&OP2L        ; Load low word of 2nd operand
MOV.B   #023h,&OP2H_B        ; Load high word of 2nd operand
;... 5 NOPs required

MOV     &RES0,R6              ; R6 = 00E97h
MOV     &RES1,R7              ; R7 = 0A6EAh
MOV     &RES2,R8              ; R8 = 04F06h
MOV     &RES3,R9              ; R9 = 0000Dh
; Note that MPYC = 0!

MOV     #0CCC3h,&MACS         ; Signed MAC operation
MOV     #0FFB6h,&OP2          ; 16x16 bit operation
MOV     &RESLO,R6             ; R6 = 0FFFFh
MOV     &RESHI,R7            ; R7 = 07FFFh

```

The second operation gives a saturated result because the 32-bit value used for the 16×16-bit MACS operation was already saturated when the operation was started; the carry bit MPYC was 0 from the previous operation, but the MSB in result register RES1 is set. As one can see in the flow chart, the content of the result registers are saturated for multiply-and-accumulate operations after starting a new operation based on the previous results, but depending on the size of the result (32 bit or 64 bit) of the newly initiated operation.

The saturation before the multiplication can cause issues if the MPYC bit is not properly set as the following code example illustrates.

```

;Pre-load result registers to demonstrate overflow
MOV     #0,&RES3              ;
MOV     #0,&RES2              ;
MOV     #0,&RES1              ;
MOV     #0,&RES0              ;
; Saturation mode and set MPYC:
MOV     #MPYSAT+MPYC,&MPY32CTL0
MOV.B   #082h,&MACS_B        ; 8-bit signed MAC operation
MOV.B   #04Fh,&OP2_B         ; Start 16x16 bit operation
MOV     &RES0,R6              ; R6 = 00000h
MOV     &RES1,R7              ; R7 = 08000h

```

Even though the result registers were loaded with all zeros, the final result is saturated. This is because the MPYC bit was set causing the result used for the multiply-and-accumulate to be saturated to 08000 0000h. Adding a negative number to it would again cause an underflow, thus, the final result is also saturated to 08000 0000h.

### 11.2.6 Indirect Addressing of Result Registers

When using indirect or indirect autoincrement addressing mode to access the result registers and the multiplier requires three cycles until result availability according to [Table 11-1](#), at least one instruction is needed between loading the second operand and accessing the result registers:

```
; Access multiplier 16x16 results with indirect addressing
MOV    #RES0,R5          ; RES0 address in R5 for indirect
MOV    &OPER1,&MPY       ; Load 1st operand
MOV    &OPER2,&OP2       ; Load 2nd operand
NOP                    ; Need one cycle
MOV    @R5+,&xxx         ; Move RES0
MOV    @R5,&xxx          ; Move RES1
```

In case of a 32×16 multiplication, there is also one instruction required between reading the first result register RES0 and the second result register RES1:

```
; Access multiplier 32x16 results with indirect addressing
MOV    #RES0,R5          ; RES0 address in R5 for indirect
MOV    &OPER1L,&MPY32L   ; Load low word of 1st operand
MOV    &OPER1H,&MPY32H   ; Load high word of 1st operand
MOV    &OPER2,&OP2       ; Load 2nd operand (16 bits)
NOP                    ; Need one cycle
MOV    @R5+,&xxx         ; Move RES0
NOP                    ; Need one additional cycle
MOV    @R5,&xxx          ; Move RES1
                          ; No additional cycles required!
MOV    @R5,&xxx          ; Move RES2
```

### 11.2.7 Using Interrupts

If an interrupt occurs after writing OP, but before writing OP2, and the multiplier is used in servicing that interrupt, the original multiplier mode selection is lost and the results are unpredictable. To avoid this, disable interrupts before using the MPY32, do not use the MPY32 in interrupt service routines, or use the save and restore functionality of the MPY32.

```
; Disable interrupts before using the hardware multiplier
DINT                    ; Disable interrupts
NOP                    ; Required for DINT
MOV    #xxh,&MPY        ; Load 1st operand
MOV    #xxh,&OP2        ; Load 2nd operand
EINT                    ; Interrupts may be enabled before
                          ; processing results if result
                          ; registers are stored and restored in
                          ; interrupt service routines
```

## Save and Restore

If the multiplier is used in interrupt service routines, its state can be saved and restored using the MPY32CTL0 register. The following code example shows how the complete multiplier status can be saved and restored to allow interruptible multiplications together with the usage of the multiplier in interrupt service routines. Because the state of the MPYSAT and MPYFRAC bits are unknown, they should be cleared before the registers are saved as shown in the code example.

```

; Interrupt service routine using multiplier
MPY_USING_ISR
    PUSH    &MPY32CTL0      ; Save multiplier mode, etc.
    BIC     #MPYSAT+MPYFRAC,&MPY32CTL0
                                ; Clear MPYSAT+MPYFRAC

    PUSH    &RES3           ; Save result 3
    PUSH    &RES2           ; Save result 2
    PUSH    &RES1           ; Save result 1
    PUSH    &RES0           ; Save result 0
    PUSH    &MPY32H        ; Save operand 1, high word
    PUSH    &MPY32L        ; Save operand 1, low word
    PUSH    &OP2H          ; Save operand 2, high word
    PUSH    &OP2L          ; Save operand 2, low word
                                ;
    ...                        ; Main part of ISR
                                ; Using standard MPY routines
                                ;

    POP     &OP2L          ; Restore operand 2, low word
    POP     &OP2H          ; Restore operand 2, high word
                                ; Starts dummy multiplication but
                                ; result is overwritten by
                                ; following restore operations:

    POP     &MPY32L        ; Restore operand 1, low word
    POP     &MPY32H        ; Restore operand 1, high word
    POP     &RES0          ; Restore result 0
    POP     &RES1          ; Restore result 1
    POP     &RES2          ; Restore result 2
    POP     &RES3          ; Restore result 3
    POP     &MPY32CTL0     ; Restore multiplier mode, etc.
    reti                                ; End of interrupt service routine

```

### 11.2.8 Using DMA

In devices with a DMA controller, the multiplier can trigger a transfer when the complete result is available. The DMA controller needs to start reading the result with MPY32RES0 successively up to MPY32RES3. Not all registers need to be read. The trigger timing is such that the DMA controller starts reading MPY32RES0 when its ready, and that the MPY32RES3 can be read exactly in the clock cycle when it is available to allow fastest access via DMA. The signal into the DMA controller is 'Multiplier ready' (see the *DMA Controller* chapter for details).



### 11.3 MPY32 Registers

MPY32 registers are listed in [Table 11-7](#). The base address can be found in the device-specific data sheet. The address offsets are listed in [Table 11-7](#).

**Note:** All registers have word or byte register access. For a generic register *ANYREG*, the suffix "\_L" (*ANYREG\_L*) refers to the lower byte of the register (bits 0 through 7). The suffix "\_H" (*ANYREG\_H*) refers to the upper byte of the register (bits 8 through 15).

**Table 11-7. MPY32 Registers**

Register	Short Form	Register Type	Register Access	Address Offset	Initial State
16-bit operand one – multiply	MPY	Read/write	Word	00h	Undefined
	MPY_L	Read/write	Byte	00h	Undefined
	MPY_H	Read/write	Byte	01h	Undefined
8-bit operand one – multiply	MPY_B	Read/write	Byte	00h	Undefined
16-bit operand one – signed multiply	MPYS	Read/write	Word	02h	Undefined
	MPYS_L	Read/write	Byte	02h	Undefined
	MPYS_H	Read/write	Byte	03h	Undefined
8-bit operand one – signed multiply	MPYS_B	Read/write	Byte	02h	Undefined
16-bit operand one – multiply accumulate	MAC	Read/write	Word	04h	Undefined
	MAC_L	Read/write	Byte	04h	Undefined
	MAC_H	Read/write	Byte	05h	Undefined
8-bit operand one – multiply accumulate	MAC_B	Read/write	Byte	04h	Undefined
16-bit operand one – signed multiply accumulate	MACS	Read/write	Word	06h	Undefined
	MACS_L	Read/write	Byte	06h	Undefined
	MACS_H	Read/write	Byte	07h	Undefined
8-bit operand one – signed multiply accumulate	MACS_B	Read/write	Byte	06h	Undefined
16-bit operand two	OP2	Read/write	Word	08h	Undefined
	OP2_L	Read/write	Byte	08h	Undefined
	OP2_H	Read/write	Byte	09h	Undefined
8-bit operand two	OP2_B	Read/write	Byte	08h	Undefined
16x16-bit result low word	RESLO	Read/write	Word	0Ah	Undefined
	RESLO_L	Read/write	Byte	0Ah	Undefined
	RESLO_H	Read/write	Byte	0Bh	Undefined
16x16-bit result high word	RESHI	Read/write	Word	0Ch	Undefined
	RESHI_L	Read/write	Byte	0Ch	Undefined
	RESHI_H	Read/write	Byte	0Dh	Undefined
16x16-bit sum extension register	SUMEXT	Read	Word	0Eh	Undefined
	SUMEXT_L	Read	Byte	0Eh	Undefined
	SUMEXT_H	Read	Byte	0Fh	Undefined
32-bit operand 1 – multiply – low word	MPY32L	Read/write	Word	10h	Undefined
	MPY32L_L	Read/write	Byte	10h	Undefined
	MPY32L_H	Read/write	Byte	11h	Undefined
32-bit operand 1 – multiply – high word	MPY32H	Read/write	Word	12h	Undefined
	MPY32H_L	Read/write	Byte	12h	Undefined
	MPY32H_H	Read/write	Byte	13h	Undefined
24-bit operand 1 – multiply – high byte	MPY32H_B	Read/write	Byte	12h	Undefined
32-bit operand 1 – signed multiply – low word	MPYS32L	Read/write	Word	14h	Undefined
	MPYS32L_L	Read/write	Byte	14h	Undefined

**Table 11-7. MPY32 Registers (continued)**

Register	Short Form	Register Type	Register Access	Address Offset	Initial State
32-bit operand 1 – signed multiply – high word	MPYS32L_H	Read/write	Byte	15h	Undefined
	MPYS32H	Read/write	Word	16h	Undefined
	MPYS32H_L	Read/write	Byte	16h	Undefined
24-bit operand 1 – signed multiply – high byte	MPYS32H_H	Read/write	Byte	17h	Undefined
	MPYS32H_B	Read/write	Byte	16h	Undefined
32-bit operand 1 – multiply accumulate – low word	MAC32L	Read/write	Word	18h	Undefined
	MAC32L_L	Read/write	Byte	18h	Undefined
	MAC32L_H	Read/write	Byte	19h	Undefined
32-bit operand 1 – multiply accumulate – high word	MAC32H	Read/write	Word	1Ah	Undefined
	MAC32H_L	Read/write	Byte	1Ah	Undefined
	MAC32H_H	Read/write	Byte	1Bh	Undefined
24-bit operand 1 – multiply accumulate – high byte	MAC32H_B	Read/write	Byte	1Ah	Undefined
32-bit operand 1 – signed multiply accumulate – low word	MACS32L	Read/write	Word	1Ch	Undefined
	MACS32L_L	Read/write	Byte	1Ch	Undefined
	MACS32L_H	Read/write	Byte	1Dh	Undefined
32-bit operand 1 – signed multiply accumulate – high word	MACS32H	Read/write	Word	1Eh	Undefined
	MACS32H_L	Read/write	Byte	1Eh	Undefined
	MACS32H_H	Read/write	Byte	1Fh	Undefined
24-bit operand 1 – signed multiply accumulate – high byte	MACS32H_B	Read/write	Byte	1Eh	Undefined
32-bit operand 2 – low word	OP2L	Read/write	Word	20h	Undefined
	OP2L_L	Read/write	Byte	20h	Undefined
	OP2L_H	Read/write	Byte	21h	Undefined
32-bit operand 2 – high word	OP2H	Read/write	Word	22h	Undefined
	OP2H_L	Read/write	Byte	22h	Undefined
	OP2H_H	Read/write	Byte	23h	Undefined
24-bit operand 2 – high byte	OP2H_B	Read/write	Byte	22h	Undefined
32x32-bit result 0 – least significant word	RES0	Read/write	Word	24h	Undefined
	RES0_L	Read/write	Byte	24h	Undefined
	RES0_H	Read/write	Byte	25h	Undefined
32x32-bit result 1	RES1	Read/write	Word	26h	Undefined
	RES1_L	Read/write	Byte	26h	Undefined
	RES1_H	Read/write	Byte	27h	Undefined
32x32-bit result 2	RES2	Read/write	Word	28h	Undefined
	RES2_L	Read/write	Byte	28h	Undefined
	RES2_H	Read/write	Byte	29h	Undefined
32x32-bit result 3 – most significant word	RES3	Read/write	Word	2Ah	Undefined
	RES3_L	Read/write	Byte	2Ah	Undefined
	RES3_H	Read/write	Byte	2Bh	Undefined
MPY32 control register 0	MPY32CTL0	Read/write	Word	2Ch	Undefined
	MPY32CTL0_L	Read/write	Byte	2Ch	Undefined
	MPY32CTL0_H	Read/write	Byte	2Dh	00h

The registers listed in [Table 11-8](#) are treated equally.

**Table 11-8. Alternative Registers**

<b>Register</b>	<b>Alternative 1</b>	<b>Alternative 2</b>
16-bit operand one – multiply	MPY	MPY32L
8-bit operand one – multiply	MPY_B or MPY_L	MPY32L_B or MPY32L_L
16-bit operand one – signed multiply	MPYS	MPYS32L
8-bit operand one – signed multiply	MPYS_B or MPYS_L	MPYS32L_B or MPYS32L_L
16-bit operand one – multiply accumulate	MAC	MAC32L
8-bit operand one – multiply accumulate	MAC_B or MAC_L	MAC32L_B or MAC32L_L
16-bit operand one – signed multiply accumulate	MACS	MACS32L
8-bit operand one – signed multiply accumulate	MACS_B or MACS_L	MACS32L_B or MACS32L_L
16x16-bit result low word	RESLO	RES0
16x16-bit result high word	RESHI	RES1

**32-Bit Hardware Multiplier Control 0 Register (MPY32CTL0)**

15	14	13	12	11	10	9	8
Reserved						MPYDLY32	MPYDLYWRTEN
r-0	r-0	r-0	r-0	r-0	r-0	rw-0	rw-0
7	6	5	4	3	2	1	0
MPYOP2_32	MPYOP1_32	MPYMx		MPYSAT	MPYFRAC	Reserved	MPYC
rw	rw	rw	rw	rw-0	rw-0	rw-0	rw

<b>Reserved</b>	Bits 15-10	Reserved
<b>MPYDLY32</b>	Bit 9	Delayed write mode 0 Writes are delayed until 64-bit result (RES0 to RES3) is available. 1 Writes are delayed until 32-bit result (RES0 to RES1) is available.
<b>MPYDLYWRTEN</b>	Bit 8	Delayed write enable All writes to any MPY32 register are delayed until the 64-bit (MPYDLY32 = 0) or 32-bit (MPYDLY32 = 1) result is ready. 0 Writes are not delayed. 1 Writes are delayed.
<b>MPYOP2_32</b>	Bit 7	Multiplier bit width of operand 2 0 16 bits 1 32 bits
<b>MPYOP1_32</b>	Bit 6	Multiplier bit width of operand 1 0 16 bits 1 32 bits
<b>MPYMx</b>	Bits 5-4	Multiplier mode 00 MPY – Multiply 01 MPYS – Signed multiply 10 MAC – Multiply accumulate 11 MACS – Signed multiply accumulate
<b>MPYSAT</b>	Bit 3	Saturation mode 0 Saturation mode disabled 1 Saturation mode enabled
<b>MPYFRAC</b>	Bit 2	Fractional mode 0 Fractional mode disabled 1 Fractional mode enabled
<b>Reserved</b>	Bit 1	Reserved
<b>MPYC</b>	Bit 0	Carry of the multiplier. It can be considered as 33rd or 65th bit of the result if fractional or saturation mode is not selected, because the MPYC bit does not change when switching to saturation or fractional mode. It is used to restore the SUMEXT content in MAC mode. 0 No carry for result 1 Result has a carry



## CRC Module

---

---

---

The cyclic redundancy check (CRC) module provides a signature for a given data sequence. This chapter describes the operation and use of the CRC module.

---

**Note:** The CRC module on the MSP430F543x and MSP430F541x non-A versions does not support the bit-wise reverse feature described in this module description. Registers CRCDIRB and CRCRESR, along with their respective functionality, are not available.

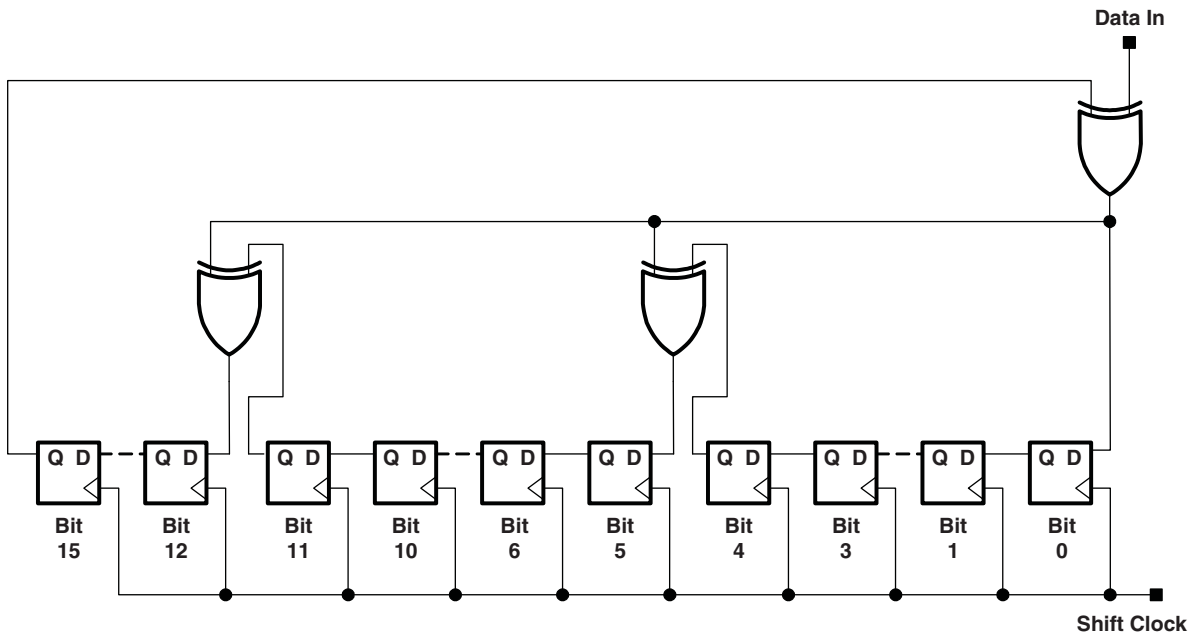
---

Topic	Page
12.1 Cyclic Redundancy Check (CRC) Module Introduction.....	350
12.2 CRC Checksum Generation .....	351
12.3 CRC Module Registers .....	354

## 12.1 Cyclic Redundancy Check (CRC) Module Introduction

The CRC module produces a signature for a given sequence of data values. The signature is generated through a feedback path from data bits 0, 4, 11, and 15 (see [Figure 12-1](#)). The CRC signature is based on the polynomial given in the CRC-CCITT-BR polynomial (see [Equation 12-1](#)).

$$f(x) = x^{16} + x^{12} + x^5 + 1 \quad (12-1)$$



**Figure 12-1. LFSR Implementation of CRC-CCITT Standard, Bit 0 is the MSB of the Result**

Identical input data sequences result in identical signatures when the CRC is initialized with a fixed seed value, whereas different sequences of input data, in general, result in different signatures.

## 12.2 CRC Checksum Generation

The CRC generator is first initialized by writing a 16-bit word (seed) to the CRC Initialization and Result (CRCINIRES) register. Any data that should be included into the CRC calculation must be written to the CRC Data Input (CRCDI or CRCDIRB) register in the same order that the original CRC signature was calculated. The actual signature can be read from the CRCINIRES register to compare the computed checksum with the expected checksum.

Signature generation describes a method on how the result of a signature operation can be calculated. The calculated signature, which is computed by an external tool, is called checksum in the following text. The checksum is stored in the product's memory and is used to check the correctness of the CRC operation result.

### 12.2.1 CRC Implementation

To allow parallel processing of the CRC, the linear feedback shift register (LFSR) functionality is implemented with an XOR tree. This implementation shows the identical behavior as the LFSR approach after 8 bits of data are shifted in when the LSB is 'shifted' in first. The generation of a signature calculation has to be started by writing a seed to the CRCINIRES register to initialize the register. Software or hardware (e.g., DMA) can transfer data to the CRCDI or CRCDIRB register (e.g., from memory). The value in CRCDI or CRCDIRB is then included into the signature, and the result is available in the signature result registers at the next read access (CRCINIRES and CRCRESR). The signature can be generated using word or byte data.

If a word data is processed, the lower byte at the even address is used at the first clock (MCLK) cycle. During the second clock cycle, the higher byte is processed. Thus, it takes two clock cycles to process word data, while it takes only one clock (MCLK) cycle to process byte data.

Data bytes written to CRCDIRB in word mode or the data byte in byte mode are bit-wise reversed before the CRC engine adds them to the signature. The bits among each byte are reversed. Data bytes written to CRCDI in word mode or the data byte in byte mode are not bit reversed before use by the CRC engine.

If the Check Sum itself (with reversed bit order) is included into the CRC operation (as data written to CRCDI or CRCDIRB), the result in the CRCINIRES and CRCRESR registers must be zero.

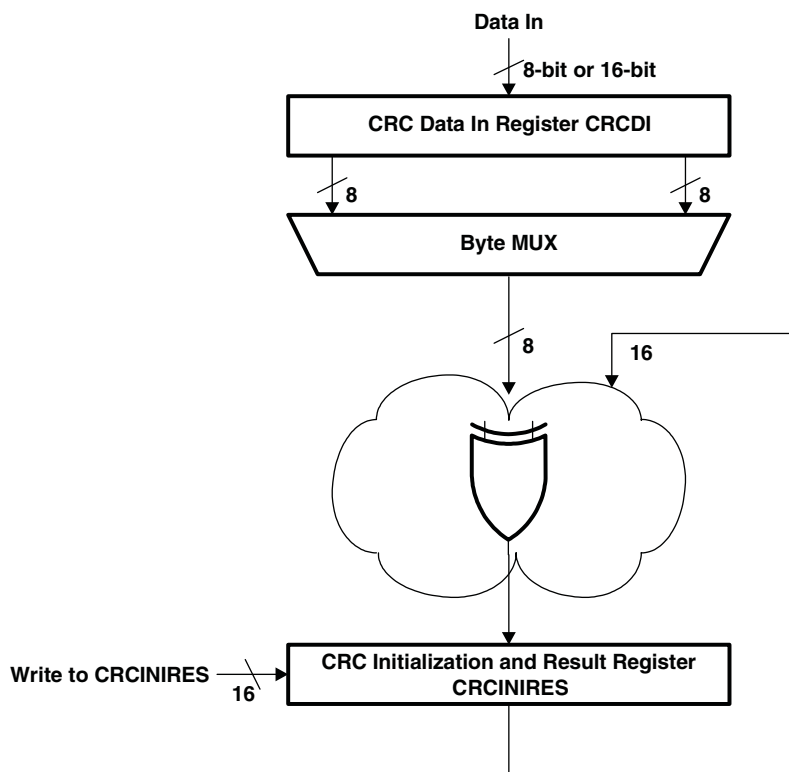


Figure 12-2. Implementation of CRC-CCITT using the CRCDI and CRCINIRES registers

## 12.2.2 Assembler Examples

### General Assembler Example

This example demonstrates the operation of the on-chip CRC:

```

...
PUSH  R4                ; Save registers
PUSH  R5
MOV   #StartAddress,R4  ; StartAddress < EndAddress
MOV   #EndAddress,R5
MOV   &INIT, &CRCINIRES ; INIT to CRCINIRES
L1 MOV @R4+, &CRCDI     ; Item to Data In register
CMP   R5, R4            ; End address reached?
JLO   L1                ; No
MOV   &Check_Sum, &CRCDI ; Yes, Include checksum
TST   &CRCINIRES        ; Result = 0?
JNZ   CRC_ERROR        ; No, CRCRES <> 0: error
...                      ; Yes, CRCRES=0:
                          ; information ok.
POP   R5                ; Restore registers
POP   R4

```



## Reference Data Sequence

The details of the implemented CRC algorithm is shown by the following data sequences using word or byte accesses and the CRC data-in as well as the CRC data-in reverse byte registers:

```

...
mov    #0FFFFh,&CRCINIRES ; initialize CRC
mov.b  #00031h,&CRCDI_L   ; "1"
mov.b  #00032h,&CRCDI_L   ; "2"
mov.b  #00033h,&CRCDI_L   ; "3"
mov.b  #00034h,&CRCDI_L   ; "4"
mov.b  #00035h,&CRCDI_L   ; "5"
mov.b  #00036h,&CRCDI_L   ; "6"
mov.b  #00037h,&CRCDI_L   ; "7"
mov.b  #00038h,&CRCDI_L   ; "8"
mov.b  #00039h,&CRCDI_L   ; "9"

cmp    #089F6h,&CRCINIRES ; compare result
                                ; CRCRESR contains 06F91h
jeq    &Success           ; no error
br     &Error             ; to error handler

mov    #0FFFFh,&CRCINIRES ; initialize CRC
mov.w  #03231h,&CRCDI      ; "1" & "2"
mov.w  #03433h,&CRCDI      ; "3" & "4"
mov.w  #03635h,&CRCDI      ; "5" & "6"
mov.w  #03837h,&CRCDI      ; "7" & "8"
mov.b  #039h, &CRCDI_L     ; "9"

cmp    #089F6h,&CRCINIRES ; compare result
                                ; CRCRESR contains 06F91h
jeq    &Success           ; no error
br     &Error             ; to error handler

...
mov    #0FFFFh,&CRCINIRES ; initialize CRC
mov.b  #00031h,&CRCDIRB_L  ; "1"
mov.b  #00032h,&CRCDIRB_L  ; "2"
mov.b  #00033h,&CRCDIRB_L  ; "3"
mov.b  #00034h,&CRCDIRB_L  ; "4"
mov.b  #00035h,&CRCDIRB_L  ; "5"
mov.b  #00036h,&CRCDIRB_L  ; "6"
mov.b  #00037h,&CRCDIRB_L  ; "7"
mov.b  #00038h,&CRCDIRB_L  ; "8"
mov.b  #00039h,&CRCDIRB_L  ; "9"

cmp    #029B1h,&CRCINIRES ; compare result
                                ; CRCRESR contains 08D94h
jeq    &Success           ; no error
br     &Error             ; to error handler

...
mov    #0FFFFh,&CRCINIRES ; initialize CRC
mov.w  #03231h,&CRCDIRB    ; "1" & "2"
mov.w  #03433h,&CRCDIRB    ; "3" & "4"
mov.w  #03635h,&CRCDIRB    ; "5" & "6"
mov.w  #03837h,&CRCDIRB    ; "7" & "8"
mov.b  #039h, &CRCDIRB_L  ; "9"

cmp    #029B1h,&CRCINIRES ; compare result
                                ; CRCRESR contains 08D94h
jeq    &Success           ; no error
br     &Error             ; to error handler

```

## 12.3 CRC Module Registers

The CRC module registers are listed in [Table 12-1](#). The base address can be found in the device-specific data sheet. The address offset is given in [Table 12-1](#).

**Note:** All registers have word or byte register access. For a generic register *ANYREG*, the suffix "\_L" (*ANYREG\_L*) refers to the lower byte of the register (bits 0 through 7). The suffix "\_H" (*ANYREG\_H*) refers to the upper byte of the register (bits 8 through 15).

**Table 12-1. CRC Module Registers**

Register	Short Form	Register Type	Register Access	Address Offset	Initial State
CRC Data In	CRCDI	Read/write	Word	0000h	0000h
	CRCDI_L	Read/write	Byte	0000h	00h
	CRCDI_H	Read/write	Byte	0001h	00h
CRC Data In Reverse Byte <sup>(1)</sup>	CRCDIRB	Read/write	Word	0002h	0000h
	CRCDIRB_L	Read/write	Byte	0002h	00h
	CRCDIRB_H	Read/write	Byte	0003h	00h
CRC Initialization and Result	CRCINIRES	Read/write	Word	0004h	FFFFh
	CRCINIRES_L	Read/write	Byte	0004h	FFh
	CRCINIRES_H	Read/write	Byte	0005h	FFh
CRC Result Reverse <sup>(1)</sup>	CRCRESR	Read only	Word	0006h	FFFFh
	CRCRESR_L	Read/write	Byte	0006h	FFh
	CRCRESR_H	Read/write	Byte	0007h	FFh

<sup>(1)</sup> Not available on MSP430F543x and MSP430F541x non-A versions.

### CRC Data In Register (CRCDI)

15	14	13	12	11	10	9	8
<b>CRCDI</b>							
rw-0	rw-0	rw-0	rw-0	rw-0	rw-0	rw-0	rw-0
7	6	5	4	3	2	1	0
<b>CRCDI</b>							
rw-0	rw-0	rw-0	rw-0	rw-0	rw-0	rw-0	rw-0

**CRCDI** Bits 15-0 CRC data in. Data written to the CRCDI register is included to the present signature in the CRCINIRES register according to the CRC-CCITT standard.

### CRC Data In Reverse Register (CRCDIRB)

15	14	13	12	11	10	9	8
<b>CRCDIRB</b>							
rw-0	rw-0	rw-0	rw-0	rw-0	rw-0	rw-0	rw-0
7	6	5	4	3	2	1	0
<b>CRCDIRB</b>							
rw-0	rw-0	rw-0	rw-0	rw-0	rw-0	rw-0	rw-0

**CRCDIRB** Bits 15-0 CRC data in reverse byte. Data written to the CRCDIRB register is included to the present signature in the CRCINIRES and CRCRESR registers according to the CRC-CCITT standard. Reading the register returns the register CRCDI content.

**CRC Initialization and Result Register (CRCINIRES)**

15	14	13	12	11	10	9	8
<b>CRCINIRES</b>							
rw-1	rw-1	rw-1	rw-1	rw-1	rw-1	rw-1	rw-1
7	6	5	4	3	2	1	0
<b>CRCINIRES</b>							
rw-1	rw-1	rw-1	rw-1	rw-1	rw-1	rw-1	rw-1

**CRCINIRES** Bits 15-0 CRC initialization and result. This register holds the current CRC result (according to the CRC-CCITT standard). Writing to this register initializes the CRC calculation with the value written to it. The value just written can be read from CRCINIRES register.

**CRC Reverse Result Register (CRCRESR)**

15	14	13	12	11	10	9	8
<b>CRCRESR</b>							
r-1	r-1	r-1	r-1	r-1	r-1	r-1	r-1
7	6	5	4	3	2	1	0
<b>CRCRES R</b>							
r-1	r-1	r-1	r-1	r-1	r-1	r-1	r-1

**CRCRESR** Bits 15-0 CRC reverse result. This register holds the current CRC result (according to the CRC-CCITT standard). The order of bits is reverse (e.g., CRCINIRES[15] = CRCRESR[0]) to the order of bits in the CRCINIRES register (see example code).





## **AES Accelerator**

---

---

---

The AES accelerator module performs AES128 encryption or decryption in hardware. This chapter describes the AES accelerator.

<b>Topic</b>	<b>Page</b>
<b>13.1 AES Accelerator Introduction.....</b>	<b>358</b>
<b>13.2 AES Accelerator Operation.....</b>	<b>359</b>
<b>13.3 AES Accelerator Registers .....</b>	<b>364</b>

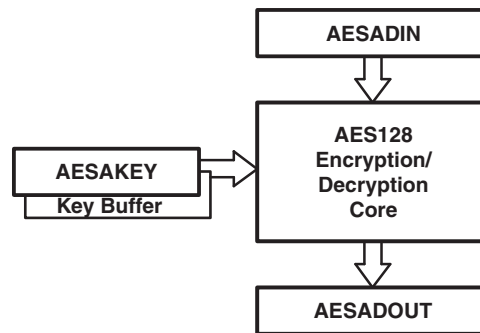
### 13.1 AES Accelerator Introduction

The AES accelerator module performs encryption and decryption of 128-bit data with 128-bit keys according to the advanced encryption standard (AES) (FIPS PUB 197) in hardware.

The AES accelerator features are:

- Encryption and decryption according to AES FIPS PUB 197 with 128-bit key
- On-the-fly key expansion for encryption and decryption
- Off-line key generation for decryption
- Byte and word access to key, input, and output data
- AES ready interrupt flag

The AES accelerator block diagram is shown in [Figure 13-1](#).

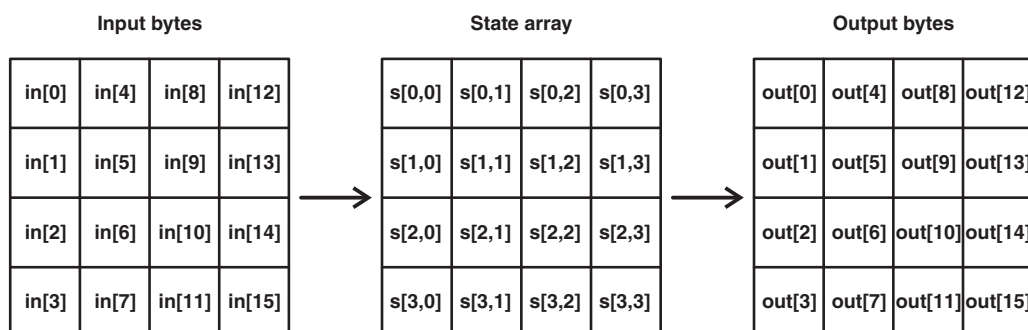


**Figure 13-1. AES Accelerator Block Diagram**

## 13.2 AES Accelerator Operation

The AES accelerator is configured with user software. The setup and operation is discussed in the following sections.

Internally, the AES algorithm's operations are performed on a two-dimensional array of bytes called the State. For AES-128, the State consists of four rows of bytes, each containing four bytes. The input is assigned to the State array as illustrated in Figure 13-2, with in[0] being the first data byte written into the AES accelerator data input register, AESADIN. The encrypt or decrypt operations are then conducted on the State array, after which its final values can be read from the output with out[0] being the first data byte read from the AES accelerator data output register, AESADOUT.



**Figure 13-2. AES State Array Input and Output**

The module allows word and byte access to all data registers, AESAKEY, AESADIN, and AESADOUT. Word and byte access should not be mixed while reading from or writing into one of the registers. However, it is possible to write one of the registers using byte access and another using word access.

---

### Note: Access Restrictions

While the AES accelerator is busy (AESBUSY = 1), AESADOUT always reads as zero, the AESDOUTCNTx counter, the AESDOUTRD flag, and the AESDINWR flag are reset, any attempt to change AESOPx, AESDINWR, or AESKEYWR is ignored, and writing to AESAKEY or AESADIN aborts the current operation, the complete module is reset (except for AESRDYIE and AESOPx), and the AES error flag AESERRFG is set.

AESADIN and AESAKEY are write-only registers and always read as zero.

Writing data into AESADIN influences the content of the corresponding output data; e.g., writing in[0] alters out[0], writing in[1] alters out[1], etc., but interleaved operation is possible; e.g., first reading out[0], then writing in[0], and continuing with reading out[1], writing in[1], etc.

---

### 13.2.1 Encryption

Figure 13-3 shows the encryption process with the cipher being a series of transformations that converts the plaintext written into the AESADIN register to a ciphertext that can be read from the AESADOUT register using the cipher key provided via the AESAKEY register.

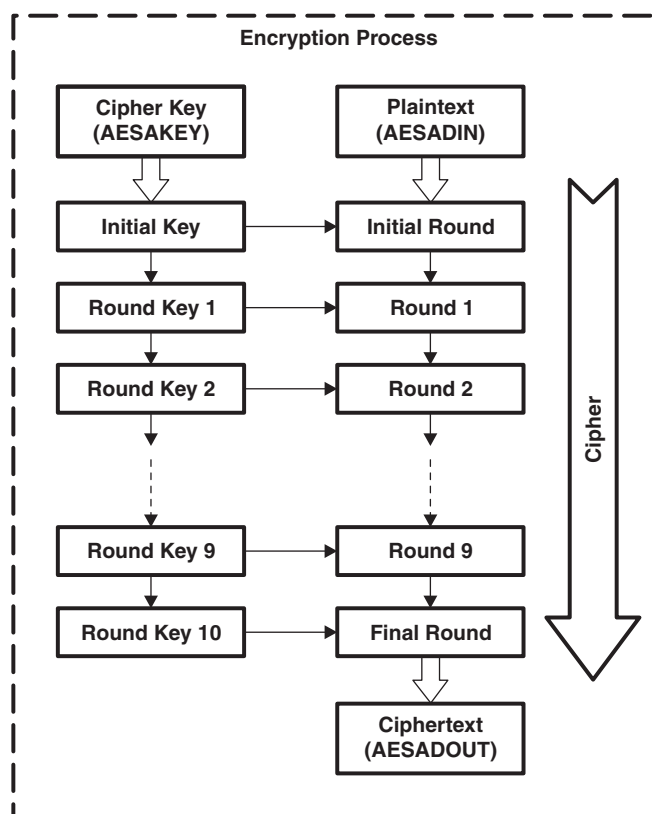


Figure 13-3. AES-128 Encryption Process

The steps to perform encryption are:

1. Set AESOPx = 00 to select encryption. Changing the AESOPx bits clears the AESKEYWR flag, and a new key must be loaded in the next step.
2. Load the 128-bit key into AESAKEY or set the AESKEYWR flag by software, if the key from a previous operation should be used. When all 16 bytes are written, the AESKEYWR flag indicates completion. If a key was loaded previously without changing AESOPx, the AESKEYWR flag is cleared with the first write access to AESAKEY. Loading the key must be completed before the next step is performed.
3. Load 128-bit data into AESADIN, or set the AESDINWR flag by software if the output data from a previous operation should be encrypted. When all 16 bytes are written, the AESDINWR flag indicates completion. The module starts encrypting the presented data when AESDINWR = 1.
4. While the AES module is performing encryption, the AESBUSY bit is 1. The encryption takes 167 MCLK clock cycles. After its completion, the AESRDYIFG is set, and the result can be read from AESADOUT. When all 16 bytes are read, the AESDOUTRD flag indicates completion. The AESRDYIFG flag is cleared when reading AESADOUT or writing to AESAKEY or AESADIN.
5. If additional data should be encrypted with the same key loaded in step 2, new data can be written into AESADIN after the results of the operation on the previous data were read from AESADOUT. When an additional 16 data bytes are written, the module automatically starts the encryption using the key loaded in step 2.

When using the output feedback (OFB) cipher block chaining mode, setting the AESDINWR flag is sufficient to trigger the next encryption, and the module starts the encryption automatically using the output data from the previous encryption as input data.



### 13.2.2 Decryption

Figure 13-4 shows the decryption process with the inverse cipher being a series of transformations that convert the ciphertext written into the AESADIN register to a plaintext that can be read from the AESADOUT register using the cipher key provided via the AESAKEY register.

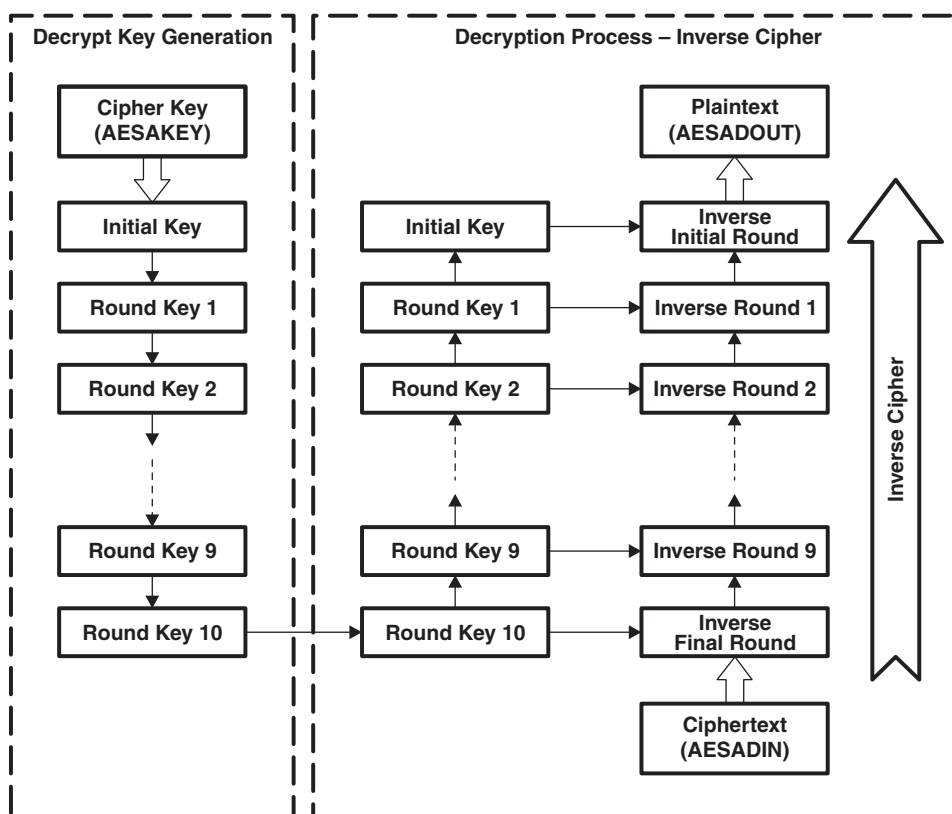


Figure 13-4. AES-128 Decryption Process using AESOPx = 01

The steps to perform decryption are:

1. Set AESOPx = 01 to select decryption using the same key used for encryption. Set AESOPx = 11 if the first-round key required for decryption (round key 10) is already generated and will be loaded in step 2. Changing the AESOPx bits clears the AESKEYWR flag, and a new key must be loaded in step 2.

2. Load the 128-bit key into AESAKEY, or set the AESKEYWR flag by software, if the key from a previous operation should be used. When all 16 bytes are written, the AESKEYWR flag indicates completion.

If a key was loaded previously without changing AESOPx, the AESKEYWR flag is cleared with the first write access to AESAKEY. Loading the key must be completed before the next step is performed.

3. Load 128-bit data into AESADIN or set the AESDINWR flag by software if the output data from a previous operation should be decrypted. When all 16 bytes are written, the AESDINWR flag indicates completion. The module starts decrypting the presented data as soon as AESDINWR = 1.
4. While the AES module is performing decryption, the AESBUSY bit is 1. The decryption takes 214 MCLK clock cycles with AESOPx = 01 and 167 MCLK clock cycles with AESOPx = 11. After its completion, the AESRDYIFG is set, and the result can be read from AESADOUT. When all 16 bytes are read the AESDOUTRD flag indicates completion.

The AESRDYIFG flag is cleared when reading AESADOUT or writing to AESAKEY or AESADIN.

5. If additional data should be decrypted with the same key loaded in step 2, new data can be written into AESADIN after the results of the operation on the previous data were read from AESADOUT. When additional 16 data bytes are written, the module automatically starts the decryption using the key loaded in step 2.

### 13.2.3 Decryption Key Generation

Figure 13-5 shows the decryption process with a pregenerated decryption key. In this case, the decryption key is calculated first with AESOPx = 10, then the precalculated key can be used together with the decryption operation AESOPx = 11.

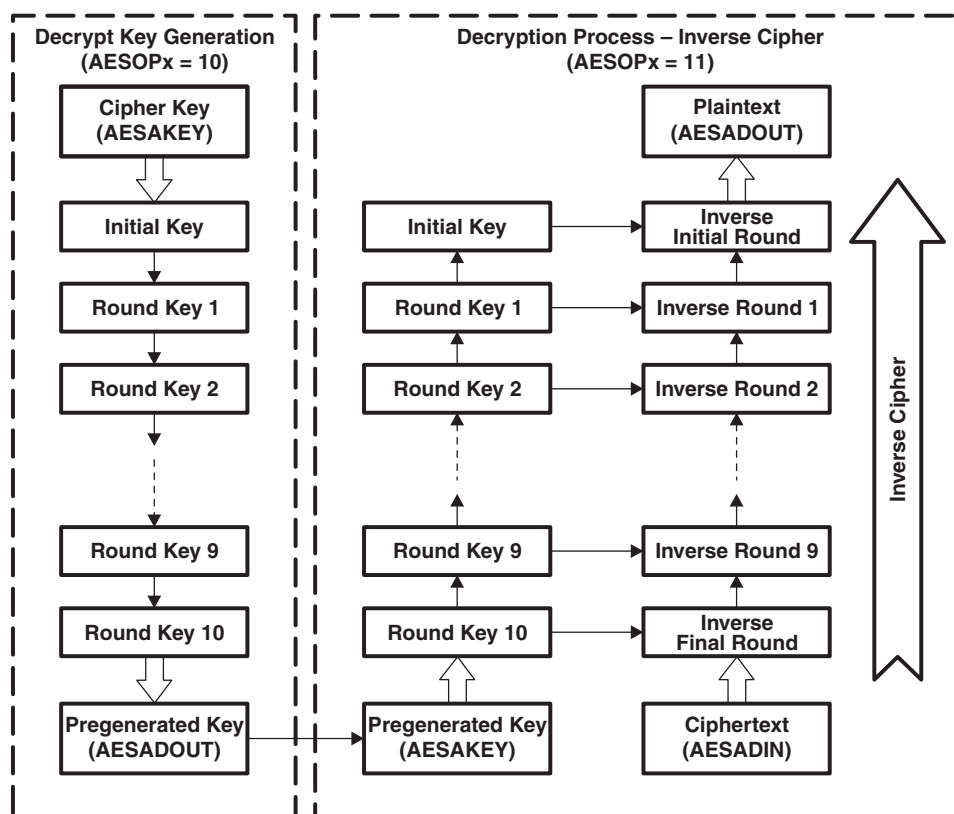


Figure 13-5. AES-128 Decryption Process using AESOPx = 10 and 11

To generate the decryption key independent from the actual decryption, the following steps are required:

1. Set AESOPx = 10 to select decryption key generation. Changing the AESOPx bits clears the AESKEYWR flag, and a new key must be loaded in step 2.
2. Load the 128-bit key into AESAKEY, or set the AESKEYWR flag by software if the key from a previous operation should be used. When all 16 bytes are written, the AESKEYWR flag indicates completion. The generation of the first round key required for decryption is started immediately.
3. While the AES module is performing the key generation, the AESBUSY bit is 1. It takes 52 CPU clock cycles to complete the key generation. After its completion, the AESRDYIFG is set, and the result can be read from AESADOUT. When all 16 bytes are read, the AESDOUTRD flag indicates completion. The AESRDYIFG flag is cleared when reading AESADOUT or writing to AESAKEY or AESADIN.
4. If data should be decrypted with the generated key, AESOPx must be set to 11. Then the generated key must be loaded or, if it was just generated with AESOPx = 10, it is sufficient to set the AESKEYWR flag by software to indicate that the key is already valid. Afterward, the steps described in Section 13.2.2 to load the data, etc., must be followed.

---

### **13.2.4 Using the AES Accelerator With Low-Power Modes**

The AES accelerator module provides automatic clock activation for MCLK for use with low-power modes. When the AES accelerator is busy, it automatically activates MCLK, regardless of the control-bit settings for the clock source. The clock remains active until the AES accelerator completes its operation.

### **13.2.5 AES Accelerator Interrupts**

The AESRDYIFG interrupt flag is set when the AES module completes the selected operation on the provided data. An interrupt request is generated if AESRDYIE and GIE are also set. AESRDYIFG is automatically reset if the AES interrupt is serviced, if AESADOUT is read, or if AESADIN or AESAKEY are written. AESRDYIFG is reset after a PUC or with AESSWRST = 1. AESRDYIE is reset after a PUC but is not reset by AESSWRST = 1.

### **13.2.6 Implementing Block Cipher Modes**

All block cipher modes can be implemented using the AES accelerator together with software. A separate application report describes the block cipher modes together with their implementation in software.

### 13.3 AES Accelerator Registers

The AES Accelerator registers are listed in [Table 13-1](#).

**Table 13-1. AES Accelerator Registers**

Register	Short Form	Register Type	Address Offset	Initial State
AES accelerator control register 0	AESACTL0	Read/write	000h	Reset with PUC
Reserved	Reserved	Read/write	002h	Reset with PUC
AES accelerator status register	AESASTAT	Read only	004h	Reset with PUC
AES accelerator key register	AESAKEY	Read/write	006h	Reset with PUC
AES accelerator data in register	AESADIN	Read/write	008h	Reset with PUC
AES accelerator data out register	AESADOUT	Read/write	00Ah	Reset with PUC

**AESACTL0, AES Accelerator Control Register 0**

15	14	13	12	11	10	9	8
Reserved			<b>AESRDYIE</b>	<b>AESERRFG</b>	Reserved		<b>AESRDYIFG</b>
r0	r0	r0	rw-0	rw-0	r0	r0	rw-0
7	6	5	4	3	2	1	0
<b>AESSWRST</b>	Reserved					<b>AESOPx</b>	
rw-0	r0	r0	r0	r0	r0	rw-0	rw-0

<b>Reserved</b>	Bits 15-13	Reserved
<b>AESRDYIE</b>	Bit 12	AES ready interrupt enable. AESRDYIE is not reset by AESSWRST = 1. 0 Interrupt disabled 1 Interrupt enabled
<b>AESERRFG</b>	Bit 11	AES error flag. AESAKEY or AESADIN were written while an AES operation was in progress. The bit must be cleared by software. 0 No error 1 Error occurred
<b>Reserved</b>	Bits 10-9	Reserved
<b>AESRDYIFG</b>	Bit 8	AES ready interrupt flag. Set when the selected AES operation was completed and the result can be read from AESADOUT. Automatically cleared when AESADOUT is read or AESAKEY or AESADIN is written. 0 No interrupt pending 1 Interrupt pending
<b>AESSWRST</b>	Bit 7	AES software reset. Immediately resets the complete AES accelerator module even when busy except for the AESRDYIE and AESOPx bits. The AESSWRST bit is automatically reset and is always read as zero. 0 No reset 1 Reset AES accelerator module
<b>Reserved</b>	Bits 6-2	Reserved
<b>AESOPx</b>	Bits 1-0	AES operation. The AESOPx bits are not reset by AESSWRST = 1. 00 Encryption 01 Decryption. The provided key is the same key used for encryption. 10 Generate first round key required for decryption. 11 Decryption. The provided key is the first round key required for decryption.

**AESASTAT, AES Accelerator Status Register (read only)**

15	14	13	12	11	10	9	8
<b>AESDOUTCNTx</b>				<b>AESDINCNTx</b>			
r-0	r-0	r-0	r-0	r-0	r-0	r-0	r-0
7	6	5	4	3	2	1	0
<b>AESKEYCNTx</b>				<b>AESDOUTRD</b>	<b>AESDINWR</b>	<b>AEKEYWR</b>	<b>AESBUSY</b>
r-0	r-0	r-0	r-0	r-0	rw-0	rw-0	r-0

<b>AESDOUTCNTx</b>	Bits 15-12	Bytes read via AESADOUT. Reset when AESDOUTRD is reset. If AESDOUTCNTx = 0 and AESDOUTRD = 0, no bytes were read. If AESDOUTCNTx = 0 and AESDOUTRD = 1, all bytes were read.
<b>AESDINCNTx</b>	Bits 11-8	Bytes written via AESADIN. Reset when AESDINWR is reset. If AESDINCNTx = 0 and AESDINWR = 0, no bytes were written. If AESDINCNTx = 0 and AESDINWR = 1, all bytes were written.
<b>AESKEYCNTx</b>	Bit 7-4	Bytes written via AESAKEY. Reset when AESKEYWR is reset. If AESKEYCNTx = 0 and AESKEYWR = 0, no bytes were written. If AESKEYCNTx = 0 and AESKEYWR = 1, all bytes were written.
<b>AESDOUTRD</b>	Bit 3	All 16 bytes read from AESADOUT. AESDOUTRD is reset by PUC, AESSWRST, an error condition, changing AESOPx, when the AES accelerator is busy, and when the output data is read again. 0 Not all bytes read. 1 All bytes read.
<b>AESDINWR</b>	Bit 2	All 16 bytes written to AESADIN. This bit can be modified by software. Changing its state by software also resets the AEDINCNTx bits. AESDINWR is reset by PUC, AESSWRST, an error condition, changing AESOPx, the start to (over)write the data, and when the AES accelerator is busy. Because it is reset when AESOPx is changed it can be set by software again to indicate that the current data is still valid (e.g. for OFB cipher block chaining). 0 Not all bytes written. 1 All bytes written.
<b>AEKEYWR</b>	Bit 1	All 16 bytes written to AESAKEY. This bit can be modified by software. Changing its state by software also resets the AESKEYCNTx bits. AESKEYWR is reset by PUC, AESSWRST, an error condition, changing AESOPx, and the start to (over)write a new key. Because it is reset when AESOPx is changed it can be set by software again to indicate that the loaded key is still valid 0 Not all bytes written. 1 All bytes written.
<b>AESBUSY</b>	Bit 0	AES accelerator module busy; encryption, decryption, or key generation in progress. 0 Not busy 1 Busy

**AESKEY, AES Accelerator Key Register**

15	14	13	12	11	10	9	8
<b>AESKEY1x (Key Byte n+1)</b>							
w-0	w-0	w-0	w-0	w-0	w-0	w-0	w-0
7	6	5	4	3	2	1	0
<b>AESKEY0x (Key Byte n)</b>							
w-0	w-0	w-0	w-0	w-0	w-0	w-0	w-0

<b>AESKEY1x</b>	Bits 15-8	AES key byte n+1 when AESKEY is written as word. Do not use these bits for byte access. Do not mix word and byte access. Always reads as zero. The key is reset by PUC or by AESSWRST = 1.
<b>AESKEY0x</b>	Bits 7-0	AES key byte n when AESKEY is written as word. AES next key byte when AESKEY_L is written as byte. Do not mix word and byte access. Always reads as zero. The key is reset by PUC or by AESSWRST = 1.

**AESADIN, AES Accelerator Data In Register**

15	14	13	12	11	10	9	8
<b>AESDIN1x (DIN Byte n+1)</b>							
w-0	w-0	w-0	w-0	w-0	w-0	w-0	w-0
7	6	5	4	3	2	1	0
<b>AESDIN0x (DIN Byte n)</b>							
w-0	w-0	w-0	w-0	w-0	w-0	w-0	w-0

<b>AESDIN1x</b>	Bits 15-8	AES data in byte n+1 when AESADIN is written as word. Do not use these bits for byte access. Do not mix word and byte access. Always reads as zero.
<b>AESDIN0x</b>	Bits 7-0	AES data in byte n when AESADIN is written as word. AES next data in byte when AESADIN_L is written as byte. Do not mix word and byte access. Always reads as zero.

**AESADOUT, AES Accelerator Data Out Register**

15	14	13	12	11	10	9	8
<b>AESDOUT1x (DOUT Byte n+1)</b>							
r-0	r-0	r-0	r-0	r-0	r-0	r-0	r-0
7	6	5	4	3	2	1	0
<b>AESDOUT0x (DOUT Byte n)</b>							
r-0	r-0	r-0	r-0	r-0	r-0	r-0	r-0

<b>AESDOUT1x</b>	Bits 15-8	AES data out byte n+1 when AESADOUT is read as word. Do not use these bits for byte access. Do not mix word and byte access.
<b>AESDOUT0x</b>	Bits 7-0	AES data out byte n when AESADOUT is read as word. AES next data out byte when AESADOUT_L is read as byte. Do not mix word and byte access.





## Timer\_A

---

---

---

Timer\_A is a 16-bit timer/counter with multiple capture/compare registers. There can be multiple Timer\_A modules on a given device (see the device-specific data sheet). This chapter describes the operation and use of the Timer\_A module.

Topic	Page
14.1 Timer_A Introduction .....	370
14.2 Timer_A Operation .....	371
14.3 Timer_A Registers .....	384

## 14.1 Timer\_A Introduction

Timer\_A is a 16-bit timer/counter with up to seven capture/compare registers. Timer\_A can support multiple capture/compares, PWM outputs, and interval timing. Timer\_A also has extensive interrupt capabilities. Interrupts may be generated from the counter on overflow conditions and from each of the capture/compare registers.

Timer\_A features include:

- Asynchronous 16-bit timer/counter with four operating modes
- Selectable and configurable clock source
- Up to seven configurable capture/compare registers
- Configurable outputs with pulse width modulation (PWM) capability
- Asynchronous input and output latching
- Interrupt vector register for fast decoding of all Timer\_A interrupts

The block diagram of Timer\_A is shown in [Figure 14-1](#).

---

**Note: Use of the word *count***

*Count* is used throughout this chapter. It means the counter must be in the process of counting for the action to take place. If a particular value is directly written to the counter, an associated action does not take place.

---

**Note: Nomenclature**

There may be multiple instantiations of Timer\_A on a given device. The prefix TAx is used, where x is a greater than equal to zero indicating the Timer\_A instantiation. For devices with one instantiation, x = 0. The suffix n, where n = 0 to 6, represents the specific capture/compare registers associated with the Timer\_A instantiation.

---

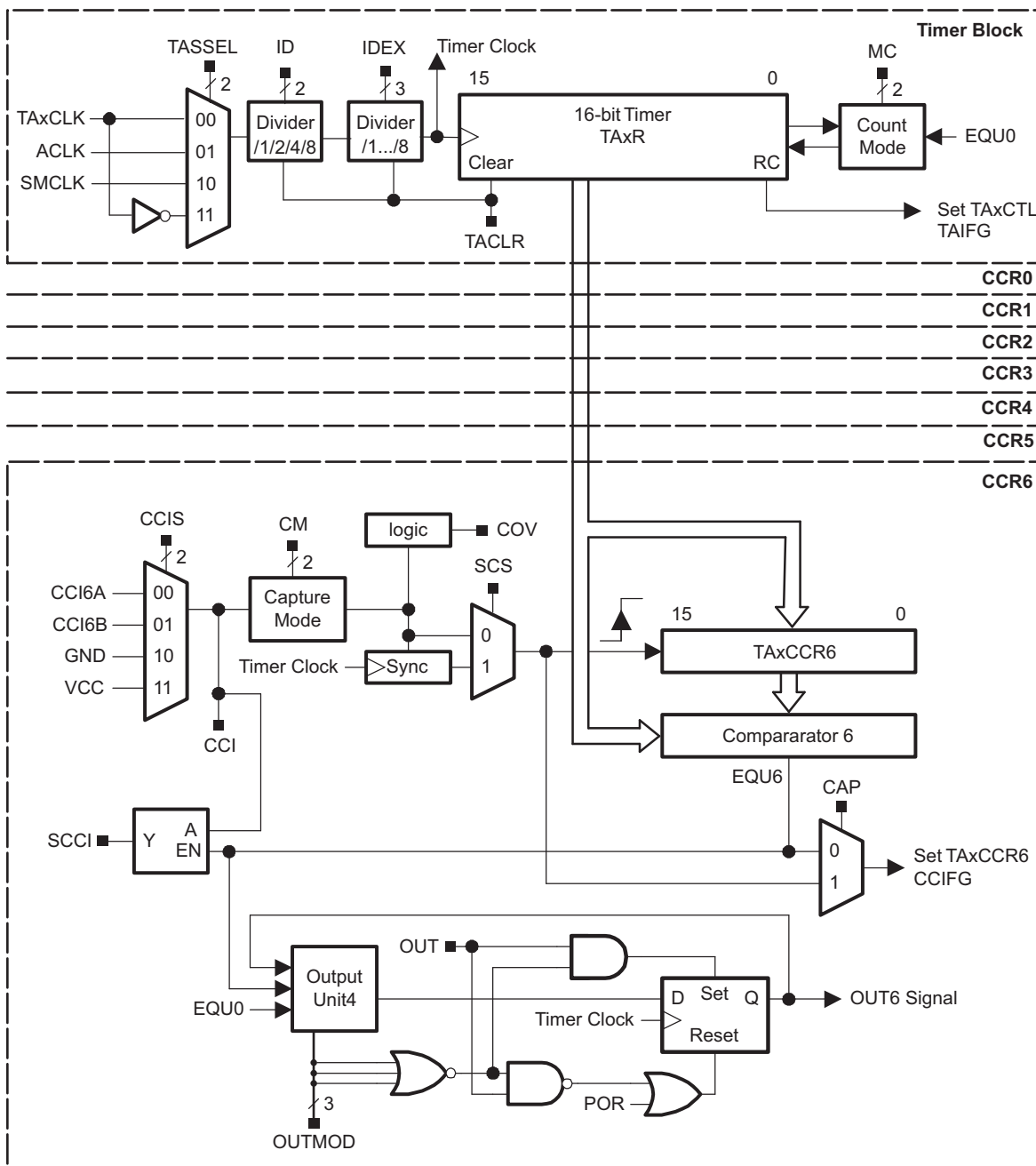


Figure 14-1. Timer\_A Block Diagram

## 14.2 Timer\_A Operation

The Timer\_A module is configured with user software. The setup and operation of Timer\_A are discussed in the following sections.

### 14.2.1 16-Bit Timer Counter

The 16-bit timer/counter register, TAXR, increments or decrements (depending on mode of operation) with each rising edge of the clock signal. TAXR can be read or written with software. Additionally, the timer can generate an interrupt when it overflows.

TAxR may be cleared by setting the TACLRL bit. Setting TACLRL also clears the clock divider and count direction for up/down mode.

---

**Note: Modifying Timer\_A registers**

It is recommended to stop the timer before modifying its operation (with exception of the interrupt enable, interrupt flag, and TACLRL) to avoid errant operating conditions.

When the timer clock is asynchronous to the CPU clock, any read from TAxR should occur while the timer is not operating or the results may be unpredictable. Alternatively, the timer may be read multiple times while operating, and a majority vote taken in software to determine the correct reading. Any write to TAxR takes effect immediately.

---

## Clock Source Select and Divider

The timer clock can be sourced from ACLK, SMCLK, or externally via TAxCLK. The clock source is selected with the TASSEL bits. The selected clock source may be passed directly to the timer or divided by 2, 4, or 8, using the ID bits. The selected clock source can be further divided by 2, 3, 4, 5, 6, 7, or 8 using the IDEX bits. The timer clock dividers are reset when TACLRL is set.

---

**Note: Timer\_A dividers**

Setting the TACLRL bit clears the contents of TAxR and the clock dividers. The clock dividers are implemented as down counters. Therefore, when the TACLRL bit is cleared, the timer clock immediately begins clocking at the first rising edge of the Timer\_A clock source selected with the TASSEL bits and continues clocking at the divider settings set by the ID and IDEX bits.

---

### 14.2.2 Starting the Timer

The timer may be started or restarted in the following ways:

- The timer counts when  $MC > \{ 0 \}$  and the clock source is active.
- When the timer mode is either up or up/down, the timer may be stopped by writing 0 to TAxCCR0. The timer may then be restarted by writing a nonzero value to TAxCCR0. In this scenario, the timer starts incrementing in the up direction from zero.

### 14.2.3 Timer Mode Control

The timer has four modes of operation: stop, up, continuous, and up/down (see [Table 14-1](#)). The operating mode is selected with the MC bits.

**Table 14-1. Timer Modes**

MCx	Mode	Description
00	Stop	The timer is halted.
01	Up	The timer repeatedly counts from zero to the value of TAxCCR0
10	Continuous	The timer repeatedly counts from zero to 0FFFFh.
11	Up/down	The timer repeatedly counts from zero up to the value of TAxCCR0 and back down to zero.

## Up Mode

The up mode is used if the timer period must be different from 0FFFFh counts. The timer repeatedly counts up to the value of compare register TAxCCR0, which defines the period (see [Figure 14-2](#)). The number of timer counts in the period is  $TAxCCR0 + 1$ . When the timer value equals TAxCCR0, the timer restarts counting from zero. If up mode is selected when the timer value is greater than TAxCCR0, the timer immediately restarts counting from zero.

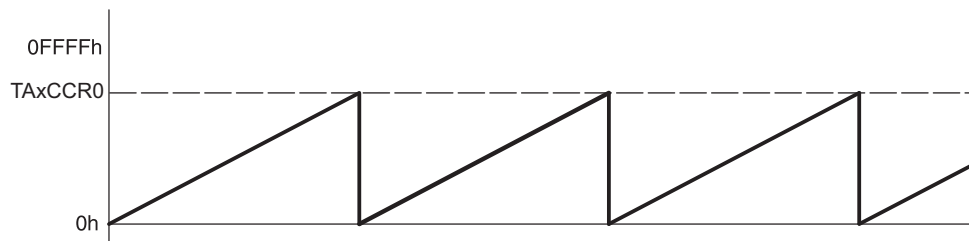


Figure 14-2. Up Mode

The TAxCCR0 CCIFG interrupt flag is set when the timer *counts* to the TAxCCR0 value. The TAIFG interrupt flag is set when the timer *counts* from TAxCCR0 to zero. Figure 14-3 shows the flag set cycle.

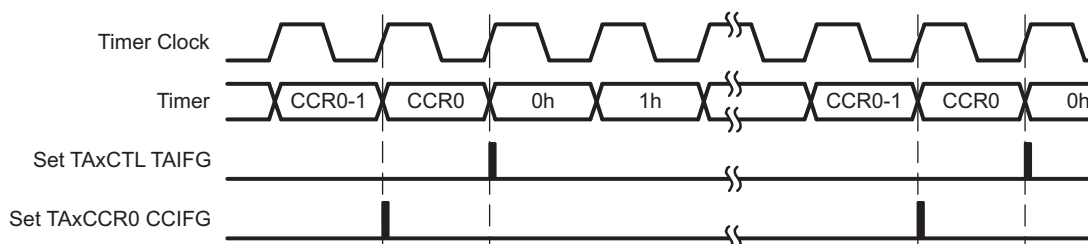


Figure 14-3. Up Mode Flag Setting

## Changing Period Register TAxCCR0

When changing TAxCCR0 while the timer is running, if the new period is greater than or equal to the old period or greater than the current count value, the timer counts up to the new period. If the new period is less than the current count value, the timer rolls to zero. However, one additional count may occur before the counter rolls to zero.

## Continuous Mode

In the continuous mode, the timer repeatedly counts up to 0FFFFh and restarts from zero as shown in Figure 14-4. The capture/compare register TAxCCR0 works the same way as the other capture/compare registers.

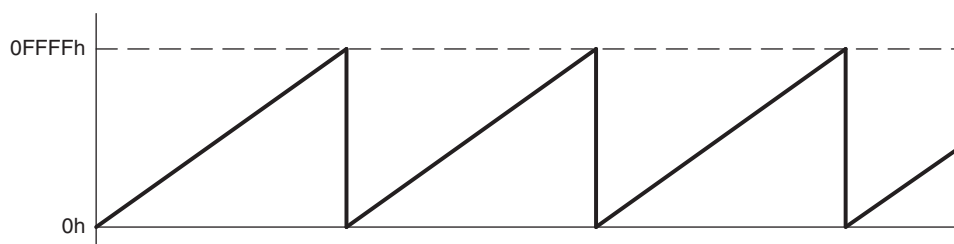


Figure 14-4. Continuous Mode

The TAIFG interrupt flag is set when the timer *counts* from 0FFFFh to zero. Figure 14-5 shows the flag set cycle.

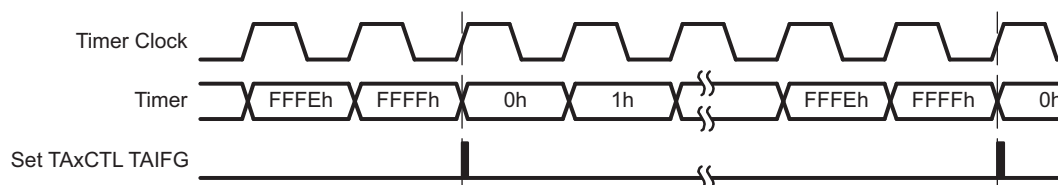
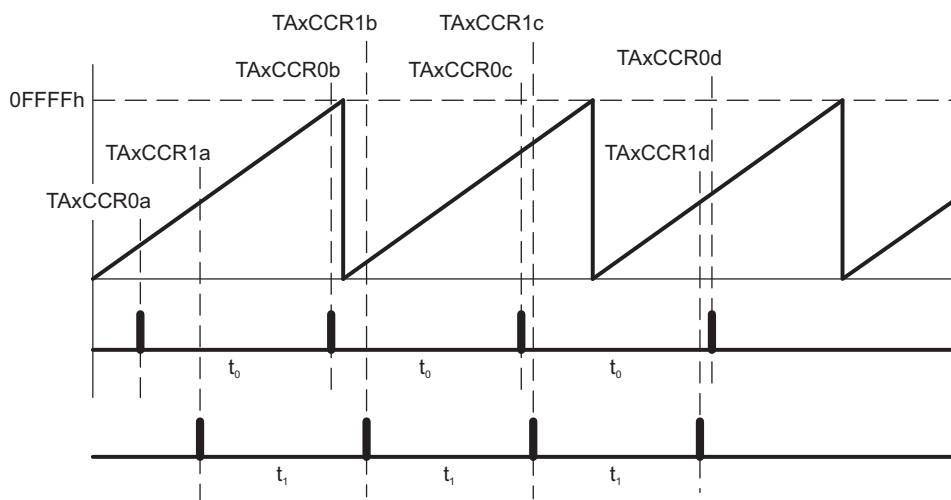


Figure 14-5. Continuous Mode Flag Setting

## Use of Continuous Mode

The continuous mode can be used to generate independent time intervals and output frequencies. Each time an interval is completed, an interrupt is generated. The next time interval is added to the  $TAxCCRn$  register in the interrupt service routine. Figure 14-6 shows two separate time intervals,  $t_0$  and  $t_1$ , being added to the capture/compare registers. In this usage, the time interval is controlled by hardware, not software, without impact from interrupt latency. Up to  $n$  (where  $n = 0$  to 6), independent time intervals or output frequencies can be generated using capture/compare registers.

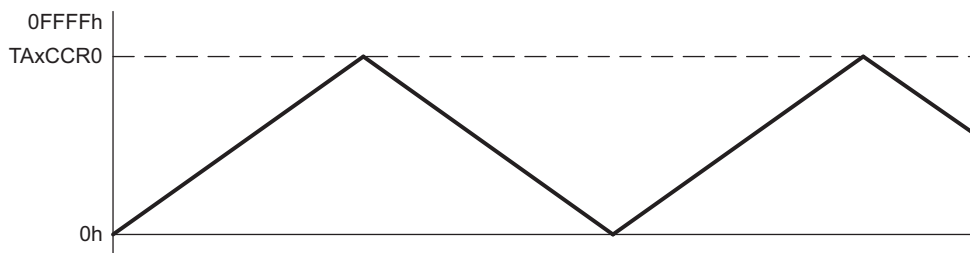


**Figure 14-6. Continuous Mode Time Intervals**

Time intervals can be produced with other modes as well, where  $TAxCCR0$  is used as the period register. Their handling is more complex since the sum of the old  $TAxCCRn$  data and the new period can be higher than the  $TAxCCR0$  value. When the previous  $TAxCCRn$  value plus  $t_x$  is greater than the  $TAxCCR0$  data, the  $TAxCCR0$  value must be subtracted to obtain the correct time interval.

## Up/Down Mode

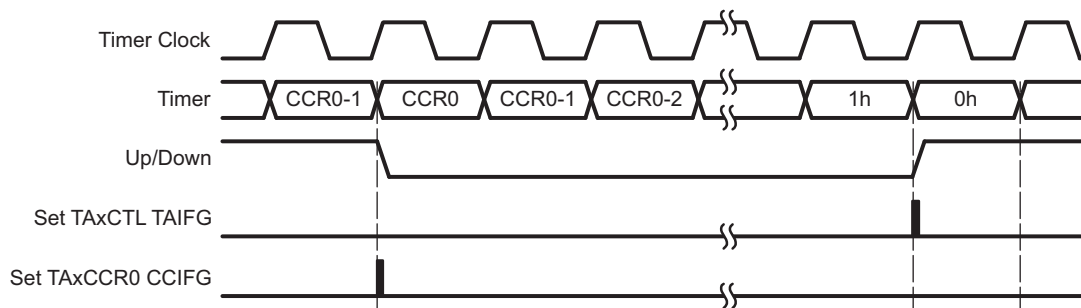
The up/down mode is used if the timer period must be different from 0FFFFh counts, and if symmetrical pulse generation is needed. The timer repeatedly counts up to the value of compare register  $TAxCCR0$  and back down to zero (see Figure 14-7). The period is twice the value in  $TAxCCR0$ .



**Figure 14-7. Up/Down Mode**

The count direction is latched. This allows the timer to be stopped and then restarted in the same direction it was counting before it was stopped. If this is not desired, the  $TACL$ R bit must be set to clear the direction. The  $TACL$ R bit also clears the  $TAxR$  value and the timer clock divider.

In up/down mode, the  $TAxCCR0$  CCIFG interrupt flag and the  $TAIFG$  interrupt flag are set only once during a period, separated by one-half the timer period. The  $TAxCCR0$  CCIFG interrupt flag is set when the timer counts from  $TAxCCR0-1$  to  $TAxCCR0$ , and  $TAIFG$  is set when the timer completes counting down from 0001h to 0000h. Figure 14-8 shows the flag set cycle.



**Figure 14-8. Up/Down Mode Flag Setting**

## Changing Period Register TAxCCR0

When changing TAxCCR0 while the timer is running and counting in the down direction, the timer continues its descent until it reaches zero. The new period takes affect after the counter counts down to zero.

When the timer is counting in the up direction, and the new period is greater than or equal to the old period or greater than the current count value, the timer counts up to the new period before counting down. When the timer is counting in the up direction and the new period is less than the current count value, the timer begins counting down. However, one additional count may occur before the counter begins counting down.

## Use of Up/Down Mode

The up/down mode supports applications that require dead times between output signals (see section *Timer\_A Output Unit*). For example, to avoid overload conditions, two outputs driving an H-bridge must never be in a high state simultaneously. In the example shown in [Figure 14-9](#), the  $t_{\text{dead}}$  is:

$$t_{\text{dead}} = t_{\text{timer}} \times (\text{TAxCCR1} - \text{TAxCCR2})$$

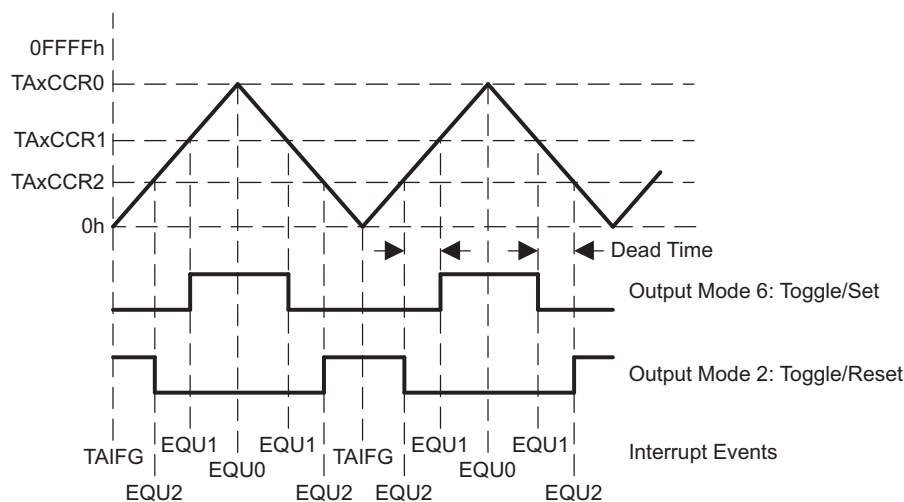
Where:

$t_{\text{dead}}$  = Time during which both outputs need to be inactive

$t_{\text{timer}}$  = Cycle time of the timer clock

TAxCCRn = Content of capture/compare register n

The TAxCCRn registers are not buffered. They update immediately when written to. Therefore, any required dead time is not maintained automatically.



**Figure 14-9. Output Unit in Up/Down Mode**

### 14.2.4 Capture/Compare Blocks

Up to seven identical capture/compare blocks, TAxCCRn (where n = 0 to 7), are present in Timer\_A. Any of the blocks may be used to capture the timer data or to generate time intervals.

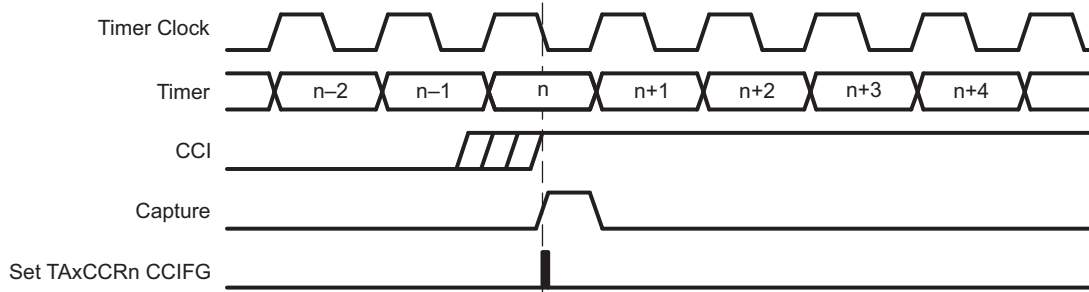
#### Capture Mode

The capture mode is selected when CAP = 1. Capture mode is used to record time events. It can be used for speed computations or time measurements. The capture inputs CCIxA and CCIxB are connected to external pins or internal signals and are selected with the CCIS bits. The CM bits select the capture edge of the input signal as rising, falling, or both. A capture occurs on the selected edge of the input signal. If a capture occurs:

- The timer value is copied into the TAxCCRn register.
- The interrupt flag CCIFG is set.

The input signal level can be read at any time via the CCI bit. Devices may have different signals connected to CCIxA and CCIxB. See the device-specific data sheet for the connections of these signals.

The capture signal can be asynchronous to the timer clock and cause a race condition. Setting the SCS bit synchronizes the capture with the next timer clock. Setting the SCS bit to synchronize the capture signal with the timer clock is recommended (see [Figure 14-10](#)).



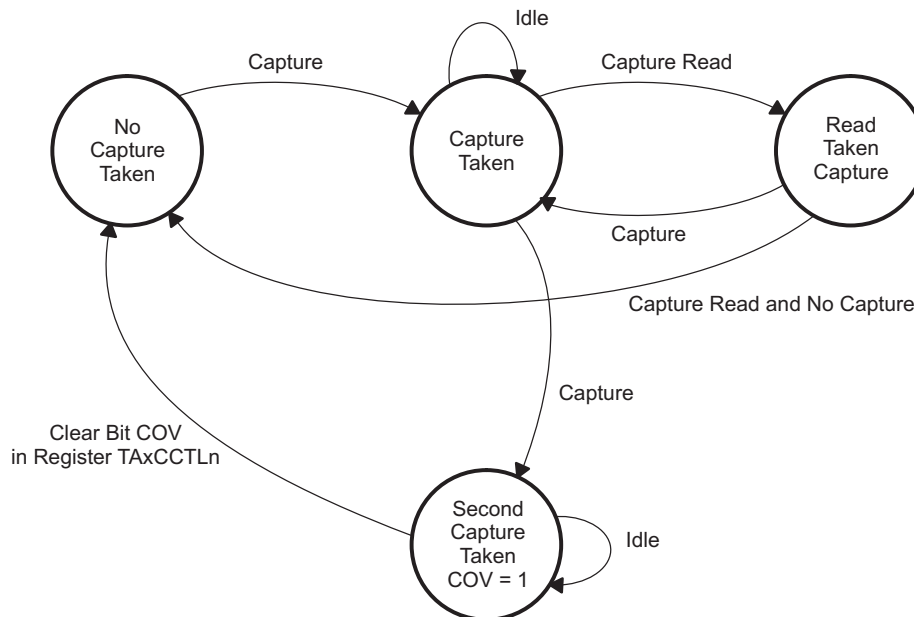
**Figure 14-10. Capture Signal (SCS = 1)**

#### Note: Changing Capture Inputs

Changing capture inputs while in capture mode may cause unintended capture events. To avoid this scenario, capture inputs should only be changed when capture mode is disabled (CM = {0} or CAP = 0).

Overflow logic is provided in each capture/compare register to indicate if a second capture was performed before the value from the first capture was read. Bit COV is set when this occurs as shown in [Figure 14-11](#). COV must be reset with software.





**Figure 14-11. Capture Cycle**

### Capture Initiated by Software

Captures can be initiated by software. The CMx bits can be set for capture on both edges. Software then sets CCIS1 = 1 and toggles bit CCIS0 to switch the capture signal between V<sub>CC</sub> and GND, initiating a capture each time CCIS0 changes state:

```

MOV  #CAP+SCS+CCIS1+CM_3,&TA0CCTL1 ; Setup TA0CCTL1, synch. capture mode
                                ; Event trigger on both edges of capture input.
XOR  #CCIS0,&TA0CCTL1             ; TA0CCR1 = TA0R
  
```

---

**Note: Capture Initiated by Software**

In general, changing capture inputs while in capture mode may cause unintended capture events. For this scenario, switching the capture input between VCC and GND, disabling the capture mode is not required.

---

### Compare Mode

The compare mode is selected when CAP = 0. The compare mode is used to generate PWM output signals or interrupts at specific time intervals. When TA<sub>x</sub>R counts to the value in a TA<sub>x</sub>CCR<sub>n</sub>, where n represents the specific capture/compare register.

- Interrupt flag CCIFG is set.
- Internal signal EQU<sub>n</sub> = 1.
- EQU<sub>n</sub> affects the output according to the output mode.
- The input signal CCI is latched into SCCI.

#### 14.2.5 Output Unit

Each capture/compare block contains an output unit. The output unit is used to generate output signals, such as PWM signals. Each output unit has eight operating modes that generate signals based on the EQU<sub>0</sub> and EQU<sub>n</sub> signals.

## Output Modes

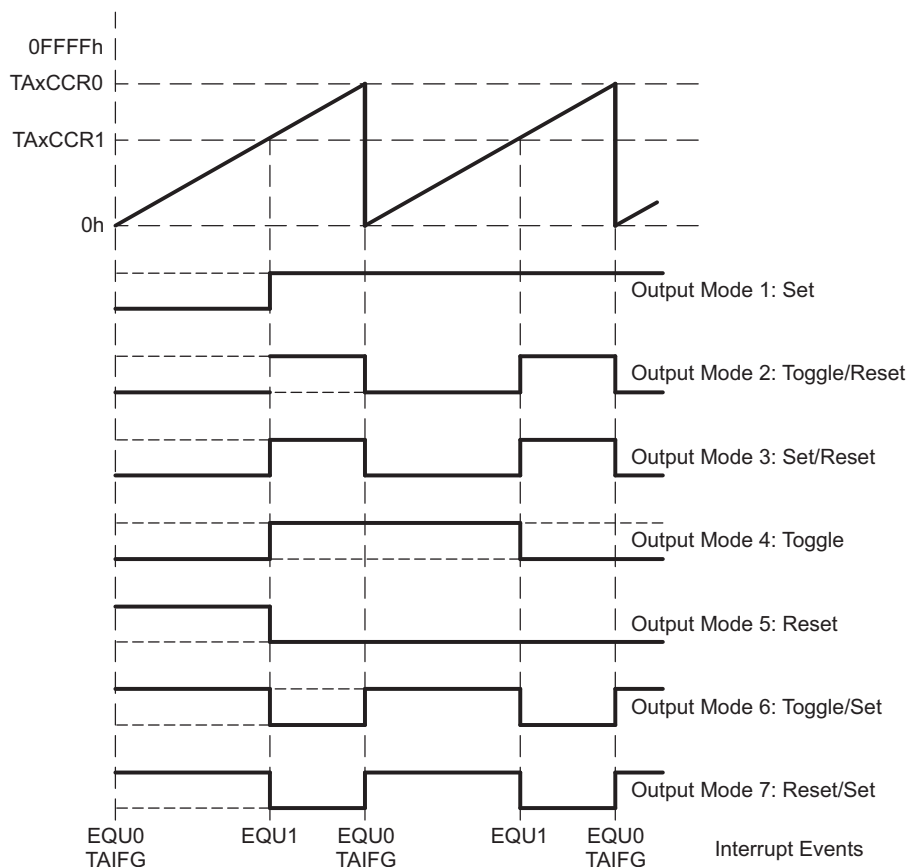
The output modes are defined by the OUTMOD bits and are described in [Table 14-2](#). The OUTn signal is changed with the rising edge of the timer clock for all modes except mode 0. Output modes 2, 3, 6, and 7 are not useful for output unit 0 because EQU<sub>n</sub> = EQU<sub>0</sub>.

**Table 14-2. Output Modes**

OUTMODx	Mode	Description
000	Output	The output signal OUTn is defined by the OUT bit. The OUTn signal updates immediately when OUT is updated.
001	Set	The output is set when the timer <i>counts</i> to the TAxCCRn value. It remains set until a reset of the timer, or until another output mode is selected and affects the output.
010	Toggle/Reset	The output is toggled when the timer <i>counts</i> to the TAxCCRn value. It is reset when the timer <i>counts</i> to the TAxCCR0 value.
011	Set/Reset	The output is set when the timer <i>counts</i> to the TAxCCRn value. It is reset when the timer <i>counts</i> to the TAxCCR0 value.
100	Toggle	The output is toggled when the timer <i>counts</i> to the TAxCCRn value. The output period is double the timer period.
101	Reset	The output is reset when the timer <i>counts</i> to the TAxCCRn value. It remains reset until another output mode is selected and affects the output.
110	Toggle/Set	The output is toggled when the timer <i>counts</i> to the TAxCCRn value. It is set when the timer <i>counts</i> to the TAxCCR0 value.
111	Reset/Set	The output is reset when the timer <i>counts</i> to the TAxCCRn value. It is set when the timer <i>counts</i> to the TAxCCR0 value.

### Output Example—Timer in Up Mode

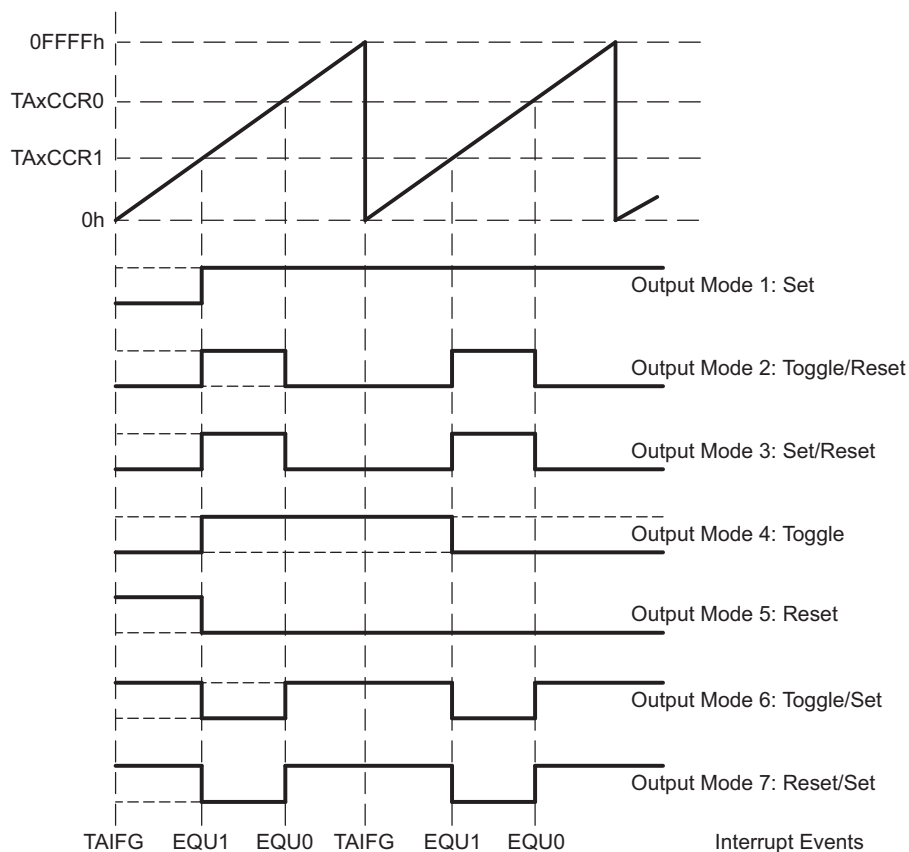
The OUTn signal is changed when the timer *counts* up to the TAxCCRn value and rolls from TAxCCR0 to zero, depending on the output mode. An example is shown in [Figure 14-12](#) using TAxCCR0 and TAxCCR1.



**Figure 14-12. Output Example – Timer in Up Mode**

## Output Example – Timer in Continuous Mode

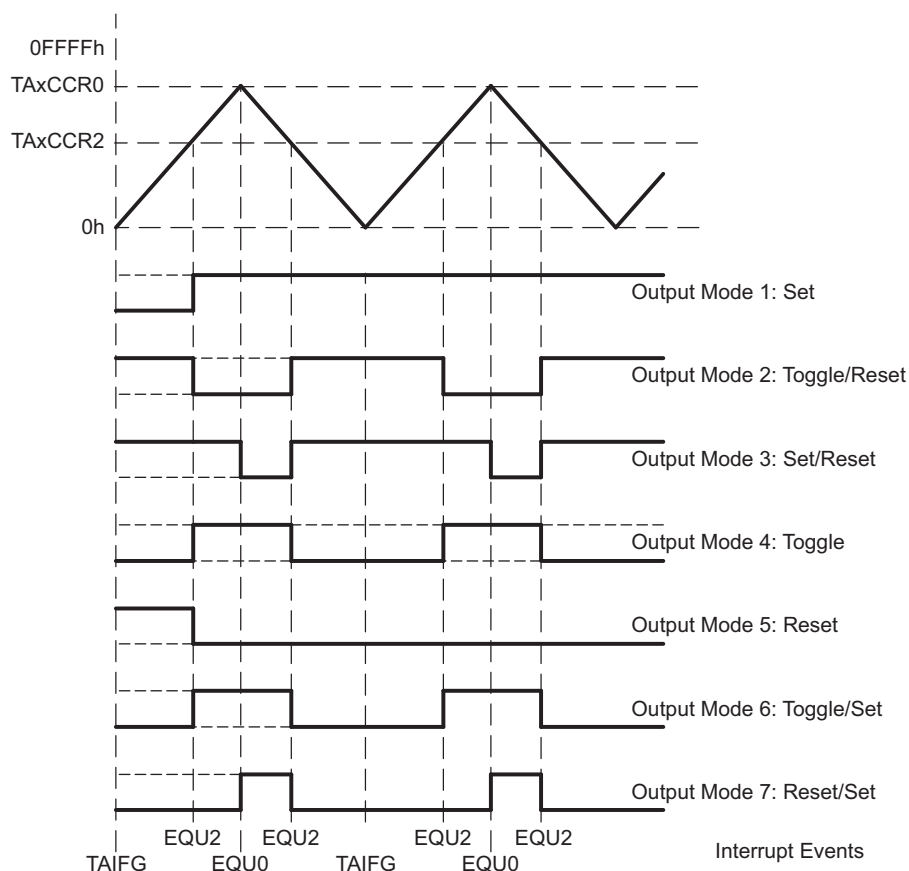
The OUTn signal is changed when the timer reaches the TAxCCRn and TAxCCR0 values, depending on the output mode. An example is shown in [Figure 14-13](#) using TAxCCR0 and TAxCCR1.



**Figure 14-13. Output Example – Timer in Continuous Mode**

## Output Example – Timer in Up/Down Mode

The OUTn signal changes when the timer equals TAxCCRn in either count direction and when the timer equals TAxCCR0, depending on the output mode. An example is shown in [Figure 14-14](#) using TAxCCR0 and TAxCCR2.



**Figure 14-14. Output Example – Timer in Up/Down Mode**

### Note: Switching between output modes

When switching between output modes, one of the OUTMOD bits should remain set during the transition, unless switching to mode 0. Otherwise, output glitching can occur, because a NOR gate decodes output mode 0. A safe method for switching between output modes is to use output mode 7 as a transition state:

```
BIS  #OUTMOD_7,&TA0CCTL1      ; Set output mode=7
BIC  #OUTMOD,&TA0CCTL1       ; Clear unwanted bits
```

### 14.2.6 Timer\_A Interrupts

Two interrupt vectors are associated with the 16-bit Timer\_A module:

- TAXCCR0 interrupt vector for TAXCCR0 CCIFG
- TAXIV interrupt vector for all other CCIFG flags and TAIFG

In capture mode, any CCIFG flag is set when a timer value is captured in the associated TAXCCRn register. In compare mode, any CCIFG flag is set if TAXR *counts* to the associated TAXCCRn value. Software may also set or clear any CCIFG flag. All CCIFG flags request an interrupt when their corresponding CCIE bit and the GIE bit are set.

#### TAXCCR0 Interrupt

The TAXCCR0 CCIFG flag has the highest Timer\_A interrupt priority and has a dedicated interrupt vector as shown in Figure 14-15. The TAXCCR0 CCIFG flag is automatically reset when the TAXCCR0 interrupt request is serviced.

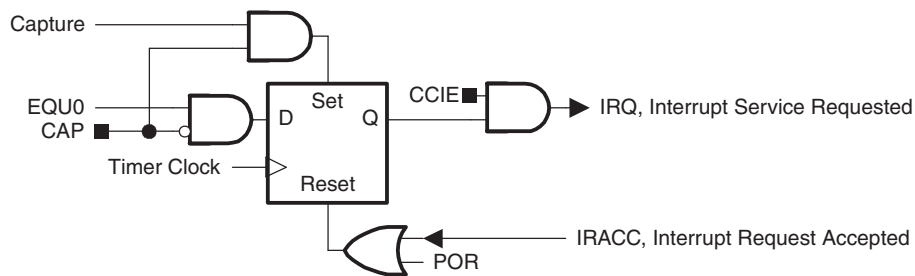


Figure 14-15. Capture/Compare TAXCCR0 Interrupt Flag

#### TAXIV, Interrupt Vector Generator

The TAXCCRy CCIFG flags and TAIFG flags are prioritized and combined to source a single interrupt vector. The interrupt vector register TAXIV is used to determine which flag requested an interrupt.

The highest-priority enabled interrupt generates a number in the TAXIV register (see register description). This number can be evaluated or added to the program counter to automatically enter the appropriate software routine. Disabled Timer\_A interrupts do not affect the TAXIV value.

Any access, read or write, of the TAXIV register automatically resets the highest-pending interrupt flag. If another interrupt flag is set, another interrupt is immediately generated after servicing the initial interrupt. For example, if the TAXCCR1 and TAXCCR2 CCIFG flags are set when the interrupt service routine accesses the TAXIV register, TAXCCR1 CCIFG is reset automatically. After the RETI instruction of the interrupt service routine is executed, the TAXCCR2 CCIFG flag generates another interrupt.

## TAxIV Software Example

The following software example shows the recommended use of TAxIV and the handling overhead. The TAxIV value is added to the PC to automatically jump to the appropriate routine. The example assumes a single instantiation of the largest timer configuration available.

The numbers at the right margin show the necessary CPU cycles for each instruction. The software overhead for different interrupt sources includes interrupt latency and return-from-interrupt cycles, but not the task handling itself. The latencies are:

- Capture/compare block TA0CCR0: 11 cycles
- Capture/compare blocks TA0CCR1, TA0CCR2, TA0CCR3, TA0CCR4, TA0CCR5, TA0CCR6: 16 cycles
- Timer overflow TA0IFG: 14 cycles

```

; Interrupt handler for TA0CCR0 CCIFG.                                Cycles
CCIFG_0_HND
;      ...      ; Start of handler Interrupt latency      6
      RETI                                             5

; Interrupt handler for TA0IFG, TA0CCR1 through TA0CCR6 CCIFG.

TA0_HND      ...      ; Interrupt latency      6
      ADD      &TA0IV,PC      ; Add offset to Jump table      3
      RETI      ; Vector 0: No interrupt      5
      JMP      CCIFG_1_HND    ; Vector 2: TA0CCR1      2
      JMP      CCIFG_2_HND    ; Vector 4: TA0CCR2      2
      JMP      CCIFG_3_HND    ; Vector 6: TA0CCR3      2
      JMP      CCIFG_4_HND    ; Vector 8: TA0CCR4      2
      JMP      CCIFG_5_HND    ; Vector 10: TA0CCR5     2
      JMP      CCIFG_6_HND    ; Vector 12: TA0CCR6     2

TA0IFG_HND      ; Vector 14: TA0IFG Flag
      ...      ; Task starts here
      RETI                                             5

CCIFG_6_HND      ; Vector 12: TA0CCR6
      ...      ; Task starts here
      RETI      ; Back to main program      5

CCIFG_5_HND      ; Vector 10: TA0CCR5
      ...      ; Task starts here
      RETI      ; Back to main program      5

CCIFG_4_HND      ; Vector 8: TA0CCR4
      ...      ; Task starts here
      RETI      ; Back to main program      5

CCIFG_3_HND      ; Vector 6: TA0CCR3
      ...      ; Task starts here
      RETI      ; Back to main program      5

CCIFG_2_HND      ; Vector 4: TA0CCR2
      ...      ; Task starts here
      RETI      ; Back to main program      5

CCIFG_1_HND      ; Vector 2: TA0CCR1
      ...      ; Task starts here
      RETI      ; Back to main program      5

```

### 14.3 Timer\_A Registers

Timer\_A registers are listed in [Table 14-3](#) for the largest configuration available. The base address can be found in the device-specific data sheet. The address offsets are listed in [Table 14-3](#).

**Note:** All registers have word or byte register access. For a generic register *ANYREG*, the suffix "\_L" (*ANYREG\_L*) refers to the lower byte of the register (bits 0 through 7). The suffix "\_H" (*ANYREG\_H*) refers to the upper byte of the register (bits 8 through 15).

**Table 14-3. Timer\_A Registers**

Register	Short Form	Register Type	Register Access	Address Offset	Initial State
Timer_A Control	TAxCTL	Read/write	Word	00h	0000h
	TAxCTL_L	Read/write	Byte	00h	00h
	TAxCTL_H	Read/write	Byte	01h	00h
Timer_A Capture/Compare Control 0	TAxCCTL0	Read/write	Word	02h	0000h
	TAxCCTL0_L	Read/write	Byte	02h	00h
	TAxCCTL0_H	Read/write	Byte	03h	00h
Timer_A Capture/Compare Control 1	TAxCCTL1	Read/write	Word	04h	0000h
	TAxCCTL1_L	Read/write	Byte	04h	00h
	TAxCCTL1_H	Read/write	Byte	05h	00h
Timer_A Capture/Compare Control 2	TAxCCTL2	Read/write	Word	06h	0000h
	TAxCCTL2_L	Read/write	Byte	06h	00h
	TAxCCTL2_H	Read/write	Byte	07h	00h
Timer_A Capture/Compare Control 3	TAxCCTL3	Read/write	Word	08h	0000h
	TAxCCTL3_L	Read/write	Byte	08h	00h
	TAxCCTL3_H	Read/write	Byte	09h	00h
Timer_A Capture/Compare Control 4	TAxCCTL4	Read/write	Word	0Ah	0000h
	TAxCCTL4_L	Read/write	Byte	0Ah	00h
	TAxCCTL4_H	Read/write	Byte	0Bh	00h
Timer_A Capture/Compare Control 5	TAxCCTL5	Read/write	Word	0Ch	0000h
	TAxCCTL5_L	Read/write	Byte	0Ch	00h
	TAxCCTL5_H	Read/write	Byte	0Dh	00h
Timer_A Capture/Compare Control 6	TAxCCTL6	Read/write	Word	0Eh	0000h
	TAxCCTL6_L	Read/write	Byte	0Eh	00h
	TAxCCTL6_H	Read/write	Byte	0Fh	00h
Timer_A Counter	TAxR	Read/write	Word	10h	0000h
	TAxR_L	Read/write	Byte	10h	00h
	TAxR_H	Read/write	Byte	11h	00h
Timer_A Capture/Compare 0	TAxCCR0	Read/write	Word	12h	0000h
	TAxCCR0_L	Read/write	Byte	12h	00h
	TAxCCR0_H	Read/write	Byte	13h	00h
Timer_A Capture/Compare 1	TAxCCR1	Read/write	Word	14h	0000h
	TAxCCR1_L	Read/write	Byte	14h	00h
	TAxCCR1_H	Read/write	Byte	15h	00h
Timer_A Capture/Compare 2	TAxCCR2	Read/write	Word	16h	0000h
	TAxCCR2_L	Read/write	Byte	16h	00h
	TAxCCR2_H	Read/write	Byte	17h	00h



**Table 14-3. Timer\_A Registers (continued)**

Register	Short Form	Register Type	Register Access	Address Offset	Initial State
Timer_A Capture/Compare 3	TAxCCR3	Read/write	Word	18h	0000h
	TAxCCR3_L	Read/write	Byte	18h	00h
	TAxCCR3_H	Read/write	Byte	19h	00h
Timer_A Capture/Compare 4	TAxCCR4	Read/write	Word	1Ah	0000h
	TAxCCR4_L	Read/write	Byte	1Ah	00h
	TAxCCR4_H	Read/write	Byte	1Bh	00h
Timer_A Capture/Compare 5	TAxCCR5	Read/write	Word	1Ch	0000h
	TAxCCR5_L	Read/write	Byte	1Ch	00h
	TAxCCR5_H	Read/write	Byte	1Dh	00h
Timer_A Capture/Compare 6	TAxCCR6	Read/write	Word	1Eh	0000h
	TAxCCR6_L	Read/write	Byte	1Eh	00h
	TAxCCR6_H	Read/write	Byte	1Fh	00h
Timer_A Interrupt Vector	TAxIV	Read only	Word	2Eh	0000h
	TAxIV_L	Read only	Byte	2Eh	00h
	TAxIV_H	Read only	Byte	2Fh	00h
Timer_A Expansion 0	TAxEX0	Read/write	Word	20h	0000h
	TAxEX0_L	Read/write	Byte	20h	00h
	TAxEX0_H	Read/write	Byte	21h	00h

**Timer\_A Control Register (TAxCTL)**

15	14	13	12	11	10	9	8
Unused				TASSEL			
rw-(0)	rw-(0)	rw-(0)	rw-(0)	rw-(0)	rw-(0)	rw-(0)	rw-(0)
7	6	5	4	3	2	1	0
ID	MC	Unused	TACL	TAIE	TAIFG		
rw-(0)	rw-(0)	rw-(0)	rw-(0)	w-(0)	rw-(0)	rw-(0)	rw-(0)

<b>Unused</b>	Bits 15-10	Unused
<b>TASSEL</b>	Bits 9-8	Timer_A clock source select
	00	TAxCLK
	01	ACLK
	10	SMCLK
	11	Inverted TAxCLK
<b>ID</b>	Bits 7-6	Input divider. These bits along with the IDEX bits select the divider for the input clock.
	00	/1
	01	/2
	10	/4
	11	/8
<b>MC</b>	Bits 5-4	Mode control. Setting MCx = 00h when Timer_A is not in use conserves power.
	00	Stop mode: Timer is halted
	01	Up mode: Timer counts up to TAxCCR0
	10	Continuous mode: Timer counts up to 0FFFFh
	11	Up/down mode: Timer counts up to TAxCCR0 then down to 0000h
<b>Unused</b>	Bit 3	Unused
<b>TACL</b>	Bit 2	Timer_A clear. Setting this bit resets TAxR, the timer clock divider, and the count direction. The TACL bit is automatically reset and is always read as zero.
<b>TAIE</b>	Bit 1	Timer_A interrupt enable. This bit enables the TAIFG interrupt request.
	0	Interrupt disabled
	1	Interrupt enabled
<b>TAIFG</b>	Bit 0	Timer_A interrupt flag
	0	No interrupt pending
	1	Interrupt pending

**Timer\_A Counter Register (TAxR)**

15	14	13	12	11	10	9	8
TAxR							
rw-(0)	rw-(0)	rw-(0)	rw-(0)	rw-(0)	rw-(0)	rw-(0)	rw-(0)
7	6	5	4	3	2	1	0
TAxR							
rw-(0)	rw-(0)	rw-(0)	rw-(0)	rw-(0)	rw-(0)	rw-(0)	rw-(0)

<b>TAxR</b>	Bits 15-0	Timer_A register. The TAxR register is the count of Timer_A.
-------------	-----------	--

**Capture/Compare Control Register (TAXCCTLn)**

15	14	13	12	11	10	9	8
<b>CM</b>		<b>CCIS</b>		<b>SCS</b>	<b>SCCI</b>	<b>Unused</b>	<b>CAP</b>
rw-(0)	rw-(0)	rw-(0)	rw-(0)	rw-(0)	r-(0)	r-(0)	rw-(0)
7	6	5	4	3	2	1	0
<b>OUTMOD</b>			<b>CCIE</b>	<b>CCI</b>	<b>OUT</b>	<b>COV</b>	<b>CCIFG</b>
rw-(0)	rw-(0)	rw-(0)	rw-(0)	r	rw-(0)	rw-(0)	rw-(0)

<b>CM</b>	Bits 15-14	Capture mode 00 No capture 01 Capture on rising edge 10 Capture on falling edge 11 Capture on both rising and falling edges
<b>CCIS</b>	Bits 13-12	Capture/compare input select. These bits select the TAXCCRn input signal. See the device-specific data sheet for specific signal connections. 00 CCIxA 01 CCIxB 10 GND 11 V <sub>CC</sub>
<b>SCS</b>	Bit 11	Synchronize capture source. This bit is used to synchronize the capture input signal with the timer clock. 0 Asynchronous capture 1 Synchronous capture
<b>SCCI</b>	Bit 10	Synchronized capture/compare input. The selected CCI input signal is latched with the EQUx signal and can be read via this bit.
<b>Unused</b>	Bit 9	Unused. Read only. Always read as 0.
<b>CAP</b>	Bit 8	Capture mode 0 Compare mode 1 Capture mode
<b>OUTMOD</b>	Bits 7-5	Output mode. Modes 2, 3, 6, and 7 are not useful for TAXCCR0 because EQUx = EQU0. 000 OUT bit value 001 Set 010 Toggle/reset 011 Set/reset 100 Toggle 101 Reset 110 Toggle/set 111 Reset/set
<b>CCIE</b>	Bit 4	Capture/compare interrupt enable. This bit enables the interrupt request of the corresponding CCIFG flag. 0 Interrupt disabled 1 Interrupt enabled
<b>CCI</b>	Bit 3	Capture/compare input. The selected input signal can be read by this bit.
<b>OUT</b>	Bit 2	Output. For output mode 0, this bit directly controls the state of the output. 0 Output low 1 Output high
<b>COV</b>	Bit 1	Capture overflow. This bit indicates a capture overflow occurred. COV must be reset with software. 0 No capture overflow occurred 1 Capture overflow occurred

## Timer\_A Registers

www.ti.com

<b>CCIFG</b>	Bit 0	Capture/compare interrupt flag
	0	No interrupt pending
	1	Interrupt pending

## Timer\_A Interrupt Vector Register (TAxIV)

15	14	13	12	11	10	9	8
0	0	0	0	0	0	0	0
r0	r0	r0	r0	r0	r0	r0	r0
7	6	5	4	3	2	1	0
0	0	0	0	TAIV			0
r0	r0	r0	r0	r-(0)	r-(0)	r-(0)	r0

**TAIV** Bits 15-0 Timer\_A interrupt vector value

TAIV Contents	Interrupt Source	Interrupt Flag	Interrupt Priority
00h	No interrupt pending		
02h	Capture/compare 1	TAxCCR1 CCIFG	Highest
04h	Capture/compare 2	TAxCCR2 CCIFG	
06h	Capture/compare 3	TAxCCR3 CCIFG	
08h	Capture/compare 4	TAxCCR4 CCIFG	
0Ah	Capture/compare 5	TAxCCR5 CCIFG	
0Ch	Capture/compare 6	TAxCCR6 CCIFG	
0Eh	Timer overflow	TAxCTL TAIFG	Lowest

## Timer\_A Expansion 0 Register (TAxEX0)

15	14	13	12	11	10	9	8
Unused	Unused	Unused	Unused	Unused	Unused	Unused	Unused
r0	r0	r0	r0	r0	r0	r0	r0
7	6	5	4	3	2	1	0
Unused	Unused	Unused	Unused	Unused	IDEX		
r0	r0	r0	r0	r0	rw-(0)	rw-(0)	rw-(0)

**Unused** Bits 15-3 Unused. Read only. Always read as 0.

**IDEX** Bits 2-0 Input divider expansion. These bits along with the ID bits select the divider for the input clock.

000	/1
001	/2
010	/3
011	/4
100	/5
101	/6
110	/7
111	/8



## Real-Time Clock (RTC\_A)

---

---

---

The Real-Time Clock (RTC\_A) module provides clock counters with a calendar, a flexible programmable alarm, and calibration. This chapter describes the RTC\_A module.

Topic	Page
15.1 RTC_A Introduction .....	390
15.2 RTC_A Operation .....	392
15.3 Real-Time Clock Registers .....	397

## 15.1 RTC\_A Introduction

The RTC\_A module provides a real-time clock and calendar function that can also be configured as a general-purpose counter.

RTC\_A features include:

- Configurable for real-time clock with calendar function or general-purpose counter
- Provides seconds, minutes, hours, day of week, day of month, month, and year in real-time clock with calendar function
- Interrupt capability
- Selectable BCD or binary format in real-time clock mode
- Programmable alarms in real-time clock mode
- Calibration logic for time offset correction in real-time clock mode

The RTC\_A block diagram is shown in [Figure 15-1](#).

---

**Note: Real-time clock initialization**

Most RTC\_A module registers have no initial condition. These registers must be configured by user software before use.

---

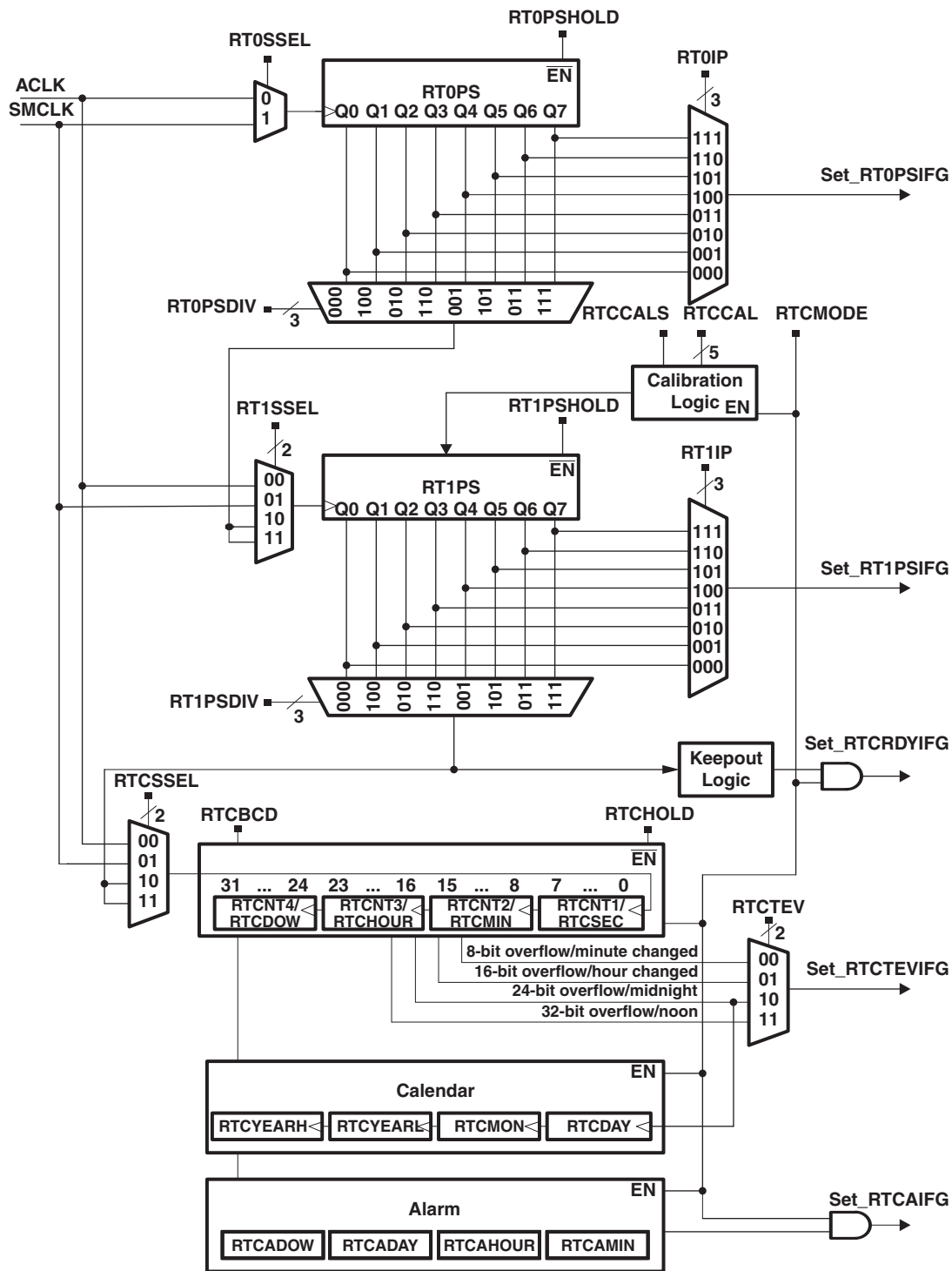


Figure 15-1. RTC\_A

## 15.2 RTC\_A Operation

The RTC\_A module can be configured as a real-time clock with calendar function (calendar mode) or as a 32-bit general purpose counter (counter mode) with the RTCMODE bit.

### 15.2.1 Counter Mode

Counter mode is selected when RTCMODE is reset. In this mode, a 32-bit counter is provided that is directly accessible by software. Switching from calendar mode to counter mode resets the count value (RTCNT1, RTCNT2, RTCNT3, RTCNT4), as well as the prescale counters (RT0PS, RT1PS).

The clock to increment the counter can be sourced from ACLK, SMCLK, or prescaled versions of ACLK or SMCLK. Prescaled versions of ACLK or SMCLK are sourced from the prescale dividers (RT0PS and RT1PS). RT0PS and RT1PS output /2, /4, /8, /16, /32, /64, /128, and /256 versions of ACLK and SMCLK, respectively. The output of RT0PS can be cascaded with RT1PS. The cascaded output can be used as a clock source input to the 32-bit counter.

Four individual 8-bit counters are cascaded to provide the 32-bit counter. This provides 8-bit, 16-bit, 24-bit, or 32-bit overflow intervals of the counter clock. The RTCTEV bits select the respective trigger event. An RTCTEV event can trigger an interrupt by setting the RTCTEVIE bit. Each counter, RTCNT1 through RTCNT4, is individually accessible and may be written to.

RT0PS and RT1PS can be configured as two 8-bit counters or cascaded into a single 16-bit counter. RT0PS and RT1PS can be halted on an individual basis by setting their respective RT0PSHOLD and RT1PSHOLD bits. When RT0PS is cascaded with RT1PS, setting RT0PSHOLD causes both RT0PS and RT1PS to be halted. The 32-bit counter can be halted several ways depending on the configuration. If the 32-bit counter is sourced directly from ACLK or SMCLK, it can be halted by setting RTCHOLD. If it is sourced from the output of RT1PS, it can be halted by setting RT1PSHOLD or RTCHOLD. Finally, if it is sourced from the cascaded outputs of RT0PS and RT1PS, it can be halted by setting RT0PSHOLD, RT1PSHOLD, or RTCHOLD.

---

**Note: Accessing the RTCNT1, RTCNT2, RTCNT3, RTCNT4, RT0PS, RT1PS registers**

When the counter clock is asynchronous to the CPU clock, any read from any RTCNT1, RTCNT2, RTCNT3, RTCNT4, RT0PS, or RT1PS register should occur while the counter is not operating. Otherwise, the results may be unpredictable. Alternatively, the counter may be read multiple times while operating, and a majority vote taken in software to determine the correct reading. Any write to these registers takes effect immediately.

---

### 15.2.2 Calendar Mode

Calendar mode is selected when RTCMODE is set. In calendar mode, the RTC\_A module provides seconds, minutes, hours, day of week, day of month, month, and year in selectable BCD or hexadecimal format. The calendar includes a leap-year algorithm that considers all years evenly divisible by four as leap years. This algorithm is accurate from the year 1901 through 2099.

### Real-Time Clock and Prescale Dividers

The prescale dividers, RT0PS and RT1PS, are automatically configured to provide a 1-s clock interval for the RTC\_A. RT0PS is sourced from ACLK. ACLK must be set to 32768 Hz (nominal) for proper RTC\_A calendar operation. RT1PS is cascaded with the output ACLK/256 of RT0PS. The RTC\_A is sourced with the /128 output of RT1PS, thereby providing the required 1-s interval. Switching from counter to calendar mode clears the seconds, minutes, hours, day-of-week, and year counts and sets day-of-month and month counts to 1. In addition, RT0PS and RT1PS are cleared.

When RTCBCD = 1, BCD format is selected for the calendar registers. The format must be selected before the time is set. Changing the state of RTCBCD clears the seconds, minutes, hours, day-of-week, and year counts and sets day-of-month and month counts to 1. In addition, RT0PS and RT1PS are cleared.



In calendar mode, the RT0SSEL, RT1SSEL, RT0PSDIV, RT1PSDIV, RT0PSHOLD, RT1PSHOLD, and RTCSEL bits are don't care. Setting RTCHOLD halts the real-time counters and prescale counters, RT0PS and RT1PS.

## Real-Time Clock Alarm Function

The RTC\_A module provides for a flexible alarm system. There is a single user-programmable alarm that can be programmed based on the settings contained in the alarm registers for minutes, hours, day of week, and day of month. The user-programmable alarm function is only available in the calendar mode of operation.

Each alarm register contains an alarm enable (AE) bit that can be used to enable the respective alarm register. By setting AE bits of the various alarm registers, a variety of alarm events can be generated.

- Example 1: A user wishes to set an alarm every hour at 15 minutes past the hour; i.e., 00:15:00, 01:15:00, 02:15:00, etc. This is possible by setting RTCAMIN to 15. By setting the AE bit of the RTCAMIN and clearing all other AE bits of the alarm registers, the alarm is enabled. When enabled, the AF is set when the count transitions from 00:14:59 to 00:15:00, 01:14:59 to 01:15:00, 02:14:59 to 02:15:00, etc.
- Example 2: A user wishes to set an alarm every day at 04:00:00. This is possible by setting RTCAHOUR to 4. By setting the AE bit of the RTCHOUR and clearing all other AE bits of the alarm registers, the alarm is enabled. When enabled, the AF is set when the count transitions from 03:59:59 to 04:00:00.
- Example 3: A user wishes to set an alarm for 06:30:00. RTCAHOUR would be set to 6 and RTCAMIN would be set to 30. By setting the AE bits of RTCAHOUR and RTCAMIN, the alarm is enabled. Once enabled, the AF is set when the the time count transitions from 06:29:59 to 06:30:00. In this case, the alarm event occurs every day at 06:30:00.
- Example 4: A user wishes to set an alarm every Tuesday at 06:30:00. RTCADOW would be set to 2, RTCAHOUR would be set to 6 and RTCAMIN would be set to 30. By setting the AE bits of RTCADOW, RTCAHOUR and RTCAMIN, the alarm is enabled. Once enabled, the AF is set when the the time count transitions from 06:29:59 to 06:30:00 and the RTCDOW transitions from 1 to 2.
- Example 5: A user wishes to set an alarm the fifth day of each month at 06:30:00. RTCADAY would be set to 5, RTCAHOUR would be set to 6 and RTCAMIN would be set to 30. By setting the AE bits of RTCADAY, RTCAHOUR and RTCAMIN, the alarm is enabled. Once enabled, the AF is set when the the time count transitions from 06:29:59 to 06:30:00 and the RTCDAY equals 5.

---

### Note: Invalid alarm settings

Invalid alarm settings are not checked via hardware. It is the user's responsibility to ensure that valid alarm settings are entered.

---



---

### Note: Invalid time and date values

Writing of invalid date and/or time information or data values outside the legal ranges specified in the RTCSEC, RTCMIN, RTCHOUR, RTCDAY, RTCDOW, RTCYEARH, RTCYEARL, RTCAMIN, RTCAHOUR, RTCADAY, and RTCADOW registers can result in unpredictable behavior.

---



---

### Note: Setting the alarm

To prevent potential erroneous alarm conditions from occurring, the alarms should be disabled by clearing the RTCAIE, RTCAIFG, and AE bits prior to writing new time values to the RTC time registers.

---

## Reading or Writing Real-Time Clock Registers in Calendar Mode

Because the system clock may be asynchronous to the RTC\_A clock source, special care must be taken when accessing the real-time clock registers.

In calendar mode, the real-time clock registers are updated once per second. To prevent reading any real-time clock register at the time of an update, which could result in an invalid time being read, a keepout window is provided. The keepout window is centered approximately -128/32768 s around the update transition. The read-only RTCRDY bit is reset during the keepout window period and set outside the keepout the window period. Any read of the clock registers while RTCRDY is reset is considered to be potentially invalid, and the time read should be ignored.

An easy way to safely read the real-time clock registers is to use the RTCRDYIFG interrupt flag. Setting RTCRDYIE enables the RTCRDYIFG interrupt. Once enabled, an interrupt is generated based on the rising edge of the RTCRDY bit, causing the RTCRDYIFG to be set. At this point, the application has nearly a complete second to safely read any or all of the real-time clock registers. This synchronization process prevents reading the time value during transition. The RTCRDYIFG flag is reset automatically when the interrupt is serviced, or can be reset with software.

In counter mode, the RTCRDY bit remains reset. RTCRDYIE is a don't care and RTCRDYIFG remains reset.

---

### Note: Reading or writing real-time clock registers

When the counter clock is asynchronous to the CPU clock, any read from any RTCSEC, RTCMIN, RTCHOUR, RTCDOW, RTCDAY, RTCMON, RTCYEARL, or RTCYEARH register while the RTCRDY is reset may result in invalid data being read. To safely read the counting registers, either polling of the RTCRDY bit or the synchronization procedure previously described can be used. Alternatively, the counter register can be read multiple times while operating, and a majority vote taken in software to determine the correct reading. Reading the RT0PS and RT1PS can only be handled by reading the registers multiple times and a majority vote taken in software to determine the correct reading or by halting the counters.

Any write to any counting register takes effect immediately. However, the clock is stopped during the write. In addition, RT0PS and RT1PS registers are reset. This could result in losing up to 1 s during a write. Writing of data outside the legal ranges or invalid time stamp combinations results in unpredictable behavior.

---

## 15.2.3 Real-Time Clock Interrupts

The RTC\_A module has five interrupt sources available, each with independent enables and flags.

### Real-Time Clock Interrupts in Calendar Mode

In calendar mode, five sources for interrupts are available, namely RT0PSIFG, RT1PSIFG, RTCRDYIFG, RTCTEVIFG, and RTCAIFG. These flags are prioritized and combined to source a single interrupt vector. The interrupt vector register (RTCIV) is used to determine which flag requested an interrupt.

The highest-priority enabled interrupt generates a number in the RTCIV register (see register description). This number can be evaluated or added to the program counter (PC) to automatically enter the appropriate software routine. Disabled RTC interrupts do not affect the RTCIV value.

Any access, read or write, of the RTCIV register automatically resets the highest-pending interrupt flag. If another interrupt flag is set, another interrupt is immediately generated after servicing the initial interrupt. In addition, all flags can be cleared via software.

The user-programmable alarm event sources the real-time clock interrupt, RTCAIFG. Setting RTCAIE enables the interrupt. In addition to the user-programmable alarm, the RTC\_A module provides for an interval alarm that sources real-time clock interrupt, RTCTEVIFG. The interval alarm can be selected to cause an alarm event when RTCMIN changed or RTCHOUR changed, every day at midnight (00:00:00) or every day at noon (12:00:00). The event is selectable with the RTCTEV bits. Setting the RTCTEVIE bit enables the interrupt.

The RTCRDY bit sources the real-time clock interrupt, RTCRDYIFG, and is useful in synchronizing the read of time registers with the system clock. Setting the RTCRDYIE bit enables the interrupt.

RT0PSIFG can be used to generate interrupt intervals selectable by the RT0IP bits. In calendar mode, RT0PS is sourced with ACLK at 32768 Hz, so intervals of 16384 Hz, 8192 Hz, 4096 Hz, 2048 Hz, 1024 Hz, 512 Hz, 256 Hz, or 128 Hz are possible. Setting the RT0PSIE bit enables the interrupt.

RT1PSIFG can generate interrupt intervals selectable by the RT1IP bits. In calendar mode, RT1PS is sourced with the output of RT0PS, which is 128 Hz (32768/256 Hz). Therefore, intervals of 64 Hz, 32 Hz, 16 Hz, 8 Hz, 4 Hz, 2 Hz, 1 Hz, or 0.5 Hz are possible. Setting the RT1PSIE bit enables the interrupt.

### Real-Time Clock Interrupts in Counter Mode

In counter mode, three interrupt sources are available: RT0PSIFG, RT1PSIFG, and RTCTEVIFG. RTCAIFG and RTCRDYIFG are cleared. RTCRDYIE and RTCAIE are don't care.

RT0PSIFG can be used to generate interrupt intervals selectable by the RT0IP bits. In counter mode, RT0PS is sourced with ACLK or SMCLK, so divide ratios of /2, /4, /8, /16, /32, /64, /128, and /256 of the respective clock source are possible. Setting the RT0PSIE bit enables the interrupt.

RT1PSIFG can be used to generate interrupt intervals selectable by the RT1IP bits. In counter mode, RT1PS is sourced with ACLK, SMCLK, or the output of RT0PS, so divide ratios of /2, /4, /8, /16, /32, /64, /128, and /256 of the respective clock source are possible. Setting the RT1PSIE bit enables the interrupt.

The RTC\_A module provides for an interval timer that sources real-time clock interrupt, RTCTEVIFG. The interval timer can be selected to cause an interrupt event when an 8-bit, 16-bit, 24-bit, or 32-bit overflow occurs within the 32-bit counter. The event is selectable with the RTCTEV bits. Setting the RTCTEVIE bit enables the interrupt.

### RTCIV Software Example

The following software example shows the recommended use of RTCIV and the handling overhead. The RTCIV value is added to the PC to automatically jump to the appropriate routine.

The numbers at the right margin show the necessary CPU cycles for each instruction. The software overhead for different interrupt sources includes interrupt latency and return-from-interrupt cycles, but not the task handling itself.

```

; Interrupt handler for RTC interrupt flags.
RTC_HND                                ; Interrupt latency                6
    ADD    &RTCIV,PC                    ; Add offset to Jump table        3
    RETI                                     ; Vector 0: No interrupt          5
    JMP    RTCRDYIFG_HND                 ; Vector 2: RTCRDYIFG            2
    JMP    RTCTEVIFG_HND                 ; Vector 4: RTCTEVIFG            2
    JMP    RTCAIFG                       ; Vector 6: RTCAIFG              5
    JMP    RT0PSIFG                      ; Vector 8: RT0PSIFG             5
    JMP    RT1PSIFG                      ; Vector A: RT1PSIFG             5
    RETI                                     ; Vector C: Reserved             5
RTC_HND                                ; Vector 2: RTCRDYIFG Flag
    to                                       ; Task starts here
    RETI                                     ;                                     5
RTC_HND                                ; Vector 4: RTCTEVIFG
    to                                       ; Task starts here
    RETI                                     ; Back to main program           5
RTC_HND                                ; Vector 6: RTCAIFG
    to                                       ; Task starts here
RTC_HND                                ; Vector 8: RT0PSIFG
    to                                       ; Task starts here
RTC_HND                                ; Vector A: RT1PSIFG
    to                                       ; Task starts here

```

### 15.2.4 Real-Time Clock Calibration

The RTC\_A module has calibration logic that allows for adjusting the crystal frequency in +4-ppm or -2-ppm steps, allowing for higher time keeping accuracy from standard crystals.

The RTCCAL bits are used to adjust the frequency. When RTCCALS is set, each RTCCAL LSB causes a +4-ppm adjustment. When RTCCALS is cleared, each RTCCAL LSB causes a -2-ppm adjustment.

To calibrate the frequency, the RTCCLK output signal is available at a pin. RTCCALF bits can be used to select the frequency rate of the output signal. During calibration, RTCCLK can be measured. The result of this measurement can be applied to the RTCCALS and RTCCAL bits to effectively reduce the initial offset of the clock. For example, say RTCCLK is output at a frequency of 512 Hz. The measured RTCCLK is 511.9658 Hz. This frequency error is approximately 67 ppm too low. To increase the frequency by 67 ppm, RTCCALS would be set, and RTCCAL would be set to 17 (67/4).

In counter mode (RTCMODE = 0), the calibration logic is disabled.

---

**Note: Calibration output frequency**

The 512-Hz and 256-Hz output frequencies observed at the RTCCLK pin are not affected by changes in the calibration settings. The 1-Hz output frequency is affected by changes in the calibration settings.

---

### 15.3 Real-Time Clock Registers

The RTC\_A module registers are listed in and [Table 15-1](#). The base register for the RTC\_A module registers can be found in the device-specific data sheet. The address offsets are given in [Table 15-1](#).

**Note:** All registers have word or byte register access. For a generic register *ANYREG*, the suffix "\_L" (*ANYREG\_L*) refers to the lower byte of the register (bits 0 through 7). The suffix "\_H" (*ANYREG\_H*) refers to the upper byte of the register (bits 8 through 15).

**Table 15-1. Real-Time Clock Registers**

Register	Short Form	Register Type	Register Access	Address Offset	Initial State
Real-Time Clock Control 0, 1	RTCCTL01	Read/write	Word	00h	4000h
Real-Time Clock Control 0	RTCCTL0 or RTCCTL01_L	Read/write	Byte	00h	00h
Real-Time Clock Control 1	RTCCTL1 or RTCCTL01_H	Read/write	Byte	01h	40h
Real-Time Clock Control 2, 3	RTCCTL23	Read/write	Word	02h	0000h
Real-Time Clock Control 2	RTCCTL2 or RTCCTL23_L	Read/write	Byte	02h	00h
Real-Time Clock Control 3	RTCCTL3 or RTCCTL23_H	Read/write	Byte	03h	00h
Real-Time Prescale Timer 0 Control	RTCPS0CTL	Read/write	Word	08h	0100h
	RTCPS0CTLL or RTCPS0CTL_L	Read/write	Byte	08h	00h
	RTCPS0CTLH or RTCPS0CTL_H	Read/write	Byte	09h	01h
Real-Time Prescale Timer 1 Control	RTCPS1CTL	Read/write	Word	0Ah	0100h
	RTCPS1CTLL or RTCPS1CTL_L	Read/write	Byte	0Ah	00h
	RTCPS0CTLH or RTCPS0CTL_H	Read/write	Byte	0Bh	01h
Real-Time Prescale Timer 0, 1 Counter	RTCPS	Read/write	Word	0Ch	undefined
Real-Time Prescale Timer 0 Counter	RT0PS or RTCPS_L	Read/write	Byte	0Ch	undefined
Real-Time Prescale Timer 1 Counter	RT1PS or RTCPS_H	Read/write	Byte	0Dh	undefined
Real Time Clock Interrupt Vector	RTCIV	Read	Word	0Eh	0000h
	RTCIV_L	Read	Byte	0Eh	00h
	RTCIV_H	Read	Byte	0Fh	00h
Real-Time Clock Seconds, Minutes/ Real-Time Counter 1, 2	RTCTIM0 or RTCNT12	Read/write	Word	10h	undefined
Real-Time Clock Seconds/ Real-Time Counter 1	RTCSEC /RTCNT1 or RTCTIM0_L	Read/write	Byte	10h	undefined
Real-Time Clock Minutes/ Real-Time Counter 2	RTCMIN/RTCNT2 or RTCTIM0_H	Read/write	Byte	11h	undefined
Real-Time Clock Hour, Day of Week/ Real-Time Counter 3, 4	RTCTIM1 or RTCNT34	Read/write	Word	12h	undefined
Real-Time Clock Hour/ Real-Time Counter 3	RTCHOUR/RTCNT3 or RTCTIM1_L	Read/write	Byte	12h	undefined
Real-Time Clock Day of Week/ Real-Time Counter 4	RTCDOWRTCNT4 or RTCTIM1_H	Read/write	Byte	13h	undefined

**Table 15-1. Real-Time Clock Registers (continued)**

Register	Short Form	Register Type	Register Access	Address Offset	Initial State
Real-Time Clock Date	RTCDATE	Read/write	Word	14h	undefined
Real-Time Clock Day of Month	RTCDAY or RTCDATE_L	Read/write	Byte	14h	undefined
Real-Time Clock Month	RTCMON or RTCDATE_H	Read/write	Byte	15h	undefined
Real-Time Clock Year	RTCYEAR	Read/write	Word	16h	undefined
	RTCYEARL or RTCYEAR_L	Read/write	Byte	16h	undefined
	RTCYEARH or RTCYEAR_H	Read/write	Byte	17h	undefined
Real-Time Clock Minutes, Hour Alarm	RTCAMINHR	Read/write	Word	18h	undefined
Real-Time Clock Minutes Alarm	RTCAMIN or RTCAMINHR_L	Read/write	Byte	18h	undefined
Real-Time Clock Hours Alarm	RTCAHOUR or RTCAMINHR_H	Read/write	Byte	19h	undefined
Real-Time Clock Day of Week, Day of Month Alarm	RTCADOWDAY	Read/write	Word	1Ah	undefined
Real-Time Clock Day of Week Alarm	RTCADOW or RTCADOWDAY_L	Read/write	Byte	1Ah	undefined
Real-Time Clock Day of Month Alarm	RTCADAY or RTCADOWDAY_H	Read/write	Byte	1Bh	undefined

**Real-Time Clock Control 0 Register (RTCCTL0)**

7	6	5	4	3	2	1	0
<b>Reserved</b>	<b>RTCTEVIE</b>	<b>RTCAIE</b>	<b>RTCRDYIE</b>	<b>Reserved</b>	<b>RTCTEVIFG</b>	<b>RTCAIFG</b>	<b>RTCRDYIFG</b>
r0	rw-0	rw-0	rw-0	r0	rw-(0)	rw-(0)	rw-(0)

<b>Reserved</b>	Bit 7	Reserved. Always read as 0.
<b>RTCTEVIE</b>	Bit 6	Real-time clock time event interrupt enable 0 Interrupt not enabled 1 Interrupt enabled
<b>RTCAIE</b>	Bit 5	Real-time clock alarm interrupt enable. This bit remains cleared when in counter mode (RTCMODE = 0). 0 Interrupt not enabled 1 Interrupt enabled
<b>RTCRDYIE</b>	Bit 4	Real-time clock alarm interrupt enable 0 Interrupt not enabled 1 Interrupt enabled
<b>Reserved</b>	Bit 3	Reserved. Always read as 0.
<b>RTCTEVIFG</b>	Bit 2	Real-time clock time event flag 0 No time event occurred. 1 Time event occurred.
<b>RTCAIFG</b>	Bit 1	Real-time clock alarm flag. This bit remains cleared when in counter mode (RTCMODE = 0). 0 No time event occurred. 1 Time event occurred.
<b>RTCRDYIFG</b>	Bit 0	Real-time clock alarm flag 0 RTC cannot be read safely. 1 RTC can be read safely.

**RTCCTL1, Real-Time Clock Control Register 1**

7	6	5	4	3	2	1	0
RTCBCD	RTCHOLD	RTCMODE	RTCRDY	RTCSSEL		RTCTEV	
rw-(0)	rw-(1)	rw-(0)	r-(0)	rw-(0)	rw-(0)	rw-(0)	rw-(0)

<b>RTCBCD</b>	Bit 7	Real-time clock BCD select. Selects BCD counting for real-time clock. Applies to calendar mode (RTCMODE = 1) only; setting is ignored in counter mode. Changing this bit clears seconds, minutes, hours, day of week, and year to 0 and sets day of month and month to 1. The real-time clock registers must be set by software afterwards.  0 Binary/hexadecimal code selected 1 BCD Binary coded decimal (BCD) code selected
<b>RTCHOLD</b>	Bit 6	Real-time clock hold  0 Real-time clock (32-bit counter or calendar mode) is operational. 1 In counter mode (RTCMODE = 0), only the 32-bit counter is stopped. In calendar mode (RTCMODE = 1), the calendar is stopped as well as the prescale counters, RT0PS and RT1PS. RT0PSHOLD and RT1PSHOLD are don't care.
<b>RTCMODE</b>	Bit 5	Real-time clock mode  0 32-bit counter mode 1 Calendar mode. Switching between counter and calendar mode resets the real-time clock/counter registers. Switching to calendar mode clears seconds, minutes, hours, day of week, and year to 0 and sets day of month and month to 1. The real-time clock registers must be set by software afterwards. RT0PS and RT1PS are also cleared.
<b>RTCRDY</b>	Bit 4	Real-time clock ready  0 RTC time values in transition (calendar mode only) 1 RTC time values safe for reading (calendar mode only). This bit indicates when the real-time clock time values are safe for reading (calendar mode only). In counter mode, RTCRDY signal remains cleared.
<b>RTCSSEL</b>	Bits 3-2	Real-time clock source select. Selects clock input source to the RTC/32-bit counter. In calendar mode, these bits are don't care. The clock input is automatically set to the output of RT1PS.  00 ACLK 01 SMCLK 10 Output from RT1PS 11 Output from RT1PS
<b>RTCTEV</b>	Bits 1-0	Real-time clock time event

RTC Mode	RTCTEV	Interrupt Interval
Counter mode (RTCMODE = 0)	00	8-bit overflow
	01	16-bit overflow
	10	24-bit overflow
	11	32-bit overflow
Calendar mode (RTCMODE = 1)	00	Minute changed
	01	Hour changed
	10	Every day at midnight (00:00)
	11	Every day at noon (12:00)



**Real-Time Clock Control 2 Register (RTCCTL2)**

7	6	5	4	3	2	1	0
<b>RTCCALS</b>		<b>Reserved</b>		<b>RTCCAL</b>			
rw-(0)	r0	rw-(0)	rw-(0)	rw-(0)	rw-(0)	rw-(0)	rw-(0)

<b>RTCCALS</b>	Bit 7	Real-time clock calibration sign 0 Frequency adjusted down 1 Frequency adjusted up
<b>Reserved</b>	Bit 6	Reserved. Always read as 0.
<b>RTCCAL</b>	Bits 5-0	Real-time clock calibration. Each LSB represents approximately +4-ppm (RTCCALS = 1) or a -2-ppm (RTCCALS = 0) adjustment in frequency.

**Real-Time Clock Control 3 Register (RTCCTL3)**

7	6	5	4	3	2	1	0
<b>Reserved</b>						<b>RTCCALF</b>	
r0	r0	r0	r0	r0	r0	rw-(0)	rw-(0)

<b>Reserved</b>	Bits 7-2	Reserved. Always read as 0.
<b>RTCCALF</b>	Bits 1-0	Real-time clock calibration frequency. Selects frequency output to RTCCLK pin for calibration measurement. The corresponding port must be configured for the peripheral module function. The RTCCLK is not available in counter mode and remains low, and the RTCCALF bits are don't care. 00 No frequency output to RTCCLK pin 01 512 Hz 10 256 Hz 11 1 Hz

**Real-Time Clock Counter 1 Register (RTCNT1) – Counter Mode**

7	6	5	4	3	2	1	0
<b>RTCNT1</b>							
rw	rw	rw	rw	rw	rw	rw	rw

**RTCNT1** Bits 7-0 The RTCNT1 register is the count of RTCNT1.

**Real-Time Clock Counter 2 Register (RTCNT2) – Counter Mode**

7	6	5	4	3	2	1	0
<b>RTCNT2</b>							
rw	rw	rw	rw	rw	rw	rw	rw

**RTCNT2** Bits 7-0 The RTCNT2 register is the count of RTCNT2.

**Real-Time Clock Counter 3 Register (RTCNT3) – Counter Mode**

7	6	5	4	3	2	1	0
<b>RTCNT3</b>							
rw	rw	rw	rw	rw	rw	rw	rw

**RTCNT3** Bits 7-0 The RTCNT3 register is the count of RTCNT3.

**Real-Time Clock Counter 4 Register (RTCNT4) – Counter Mode**

7	6	5	4	3	2	1	0
<b>RTCNT4</b>							
rw	rw	rw	rw	rw	rw	rw	rw

**RTCNT4**      Bits 7-0      The RTCNT4 register is the count of RTCNT4.

**Real-Time Clock Seconds Register (RTCSEC) – Calendar Mode With Hexadecimal Format**

7	6	5	4	3	2	1	0
<b>0</b>	<b>0</b>	<b>Seconds (0 to 59)</b>					
r-0	r-0	rw	rw	rw	rw	rw	rw

**Real-Time Clock Seconds Register (RTCSEC) – Calendar Mode With BCD Format**

7	6	5	4	3	2	1	0
<b>0</b>	<b>Seconds – high digit (0 to 5)</b>			<b>Seconds – low digit (0 to 9)</b>			
r-0	rw	rw	rw	rw	rw	rw	rw

**Real-Time Clock Minutes Register (RTCMIN) – Calendar Mode With Hexadecimal Format**

7	6	5	4	3	2	1	0
<b>0</b>	<b>0</b>	<b>Minutes (0 to 59)</b>					
r-0	r-0	rw	rw	rw	rw	rw	rw

**Real-Time Clock Minutes Register (RTCMIN) – Calendar Mode With BCD Format**

7	6	5	4	3	2	1	0
<b>0</b>	<b>Minutes – high digit (0 to 5)</b>			<b>Minutes – low digit (0 to 9)</b>			
r-0	rw	rw	rw	rw	rw	rw	rw

**Real-Time Clock Hours Register (RTCHOUR) – Calendar Mode With Hexadecimal Format**

7	6	5	4	3	2	1	0
<b>0</b>	<b>0</b>	<b>0</b>	<b>Hours (0 to 24)</b>				
r-0	r-0	r-0	rw	rw	rw	rw	rw

**Real-Time Clock Hours Register (RTCHOUR) – Calendar Mode With BCD Format**

7	6	5	4	3	2	1	0
<b>0</b>	<b>0</b>	<b>Hours – high digit (0 to 2)</b>		<b>Hours – low digit (0 to 9)</b>			
r-0	r-0	rw	rw	rw	rw	rw	rw

**Real-Time Clock Day of Week Register (RTCDOW) – Calendar Mode**

7	6	5	4	3	2	1	0
<b>0</b>	<b>0</b>	<b>0</b>	<b>0</b>	<b>0</b>	<b>Day of week (0 to 6)</b>		
r-0	r-0	r-0	r-0	r-0	rw	rw	rw

**Real-Time Clock Day of Month Register (RTCDAAY) – Calendar Mode With Hexadecimal Format**

7	6	5	4	3	2	1	0
<b>0</b>	<b>0</b>	<b>0</b>	<b>Day of month (1 to 28, 29, 30, 31)</b>				
r-0	r-0	r-0	rw	rw	rw	rw	rw

**Real-Time Clock Day of Month Register (RTCDAY) – Calendar Mode With BCD Format**

7	6	5	4	3	2	1	0
0	0	Day of month – high digit (0 to 3)		Day of month – low digit (0 to 9)			
r-0	r-0	rw	rw	rw	rw	rw	rw

**Real-Time Clock Month Register (RTCMON) – Calendar Mode With Hexadecimal Format**

7	6	5	4	3	2	1	0
0	0	0	0	Month (1 to 12)			
r-0	r-0	r-0	r-0	rw	rw	rw	rw

**Real-Time Clock Month Register (RTCMON) – Calendar Mode With BCD Format**

7	6	5	4	3	2	1	0
0	0	0	Month – high digit (0 to 3)	Month – low digit (0 to 9)			
r-0	r-0	r-0	rw	rw	rw	rw	rw

**Real-Time Clock Year Low-Byte Register (RTCYEARL) – Calendar Mode With Hexadecimal Format**

7	6	5	4	3	2	1	0
Year – low byte of 0 to 4095							
rw	rw	rw	rw	rw	rw	rw	rw

**Real-Time Clock Year Low-Byte Register (RTCYEARL) – Calendar Mode With BCD Format**

7	6	5	4	3	2	1	0
Decade (0 to 9)				Year – lowest digit (0 to 9)			
rw	rw	rw	rw	rw	rw	rw	rw

**Real-Time Clock Year High-Byte Register (RTCYEARH) – Calendar Mode With Hexadecimal Format**

7	6	5	4	3	2	1	0
0	0	0	0	Year – high byte of 0 to 4095			
r-0	r-0	r-0	r-0	rw	rw	rw	rw

**Real-Time Clock Year High-Byte Register (RTCYEARH) – Calendar Mode With BCD Format**

7	6	5	4	3	2	1	0
0	Century – high digit (0 to 4)			Century – low digit (0 to 9)			
r-0	rw	rw	rw	rw	rw	rw	rw

**Real-Time Clock Minutes Alarm Register (RTCAMIN) – Calendar Mode With Hexadecimal Format**

7	6	5	4	3	2	1	0
AE	0	Minutes (0 to 59)					
rw-0	r-0	rw	rw	rw	rw	rw	rw

**Real-Time Clock Minutes Alarm Register (RTCAMIN) – Calendar Mode With BCD Format**

7	6	5	4	3	2	1	0
AE	Minutes – high digit (0 to 5)			Minutes – low digit (0 to 9)			
rw-0	rw	rw	rw	rw	rw	rw	rw

**Real-Time Clock Hours Alarm Register (RTCAHOUR) – Calendar Mode With Hexadecimal Format**

7	6	5	4	3	2	1	0
<b>AE</b>	<b>0</b>	<b>0</b>	<b>Hours (0 to 24)</b>				
rw-0	r-0	r-0	rw	rw	rw	rw	rw

**Real-Time Clock Hours Alarm Register (RTCAHOUR) – Calendar Mode With BCD Format**

7	6	5	4	3	2	1	0
<b>AE</b>	<b>0</b>	<b>Hours – high digit (0 to 2)</b>		<b>Hours – low digit (0 to 9)</b>			
rw-0	r-0	rw	rw	rw	rw	rw	rw

**Real-Time Clock Day of Week Alarm Register (RTCADOW) – Calendar Mode**

7	6	5	4	3	2	1	0
<b>AE</b>	<b>0</b>	<b>0</b>	<b>0</b>	<b>0</b>	<b>Day of week (0 to 6)</b>		
rw-0	r-0	r-0	r-0	r-0	rw	rw	rw

**Real-Time Clock Day of Month Alarm Register (RTCADAY) – Calendar Mode With Hexadecimal Format**

7	6	5	4	3	2	1	0
<b>AE</b>	<b>0</b>	<b>0</b>	<b>Day of month (1 to 28, 29, 30, 31)</b>				
rw-0	r-0	r-0	rw	rw	rw	rw	rw

**Real-Time Clock Day of Month Alarm Register (RTCADAY) – Calendar Mode With BCD Format**

7	6	5	4	3	2	1	0
<b>AE</b>	<b>0</b>	<b>Day of month – high digit (0 to 3)</b>		<b>Day of month – low digit (0 to 9)</b>			
rw-0	r-0	rw	rw	rw	rw	rw	rw

**Real-Time Clock Prescale Timer 0 Control Register (RTCPS0CTL)**

15	14	13	12	11	10	9	8
<b>Reserved</b>	<b>RTOSSEL</b>	<b>RTOSDIV</b>			<b>Reserved</b>	<b>Reserved</b>	<b>RTOSHOLD</b>
r0	rw-0	rw-0	rw-0	rw-0	r0	r0	rw-1
7	6	5	4	3	2	1	0
<b>Reserved</b>	<b>Reserved</b>	<b>Reserved</b>	<b>RTOSIP</b>		<b>RTOSIE</b>	<b>RTOSIFG</b>	
r0	r0	r0	rw-0	rw-0	rw-0	rw-0	rw-(0)

<b>Reserved</b>	Bit 15	Reserved. Always read as 0.
<b>RTOSSEL</b>	Bit 14	Prescale timer 0 clock source select. Selects clock input source to the RTOPS counter. In real-time clock calendar mode, these bits are don't care. RTOPS clock input is automatically set to ACLK. RT1PS clock input is automatically set to the output of RTOPS. 0     ACLK 1     SMCLK
<b>RTOSDIV</b>	Bits 13-11	Prescale timer 0 clock divide. These bits control the divide ratio of the RTOPS counter. In real-time clock calendar mode, these bits are don't care for RTOPS and RT1PS. RTOPS clock output is automatically set to /256. RT1PS clock output is automatically set to /128. 000   /2 001   /4 010   /8 011   /16 100   /32 101   /64 110   /128 111   /256
<b>Reserved</b>	Bits 10-9	Reserved. Always read as 0.
<b>RTOSHOLD</b>	Bit 8	Prescale timer 0 hold. In real-time clock calendar mode, this bit is don't care. RTOPS is stopped via the RTCHOLD bit. 0     RTOPS is operational. 1     RTOPS is held.
<b>Reserved</b>	Bits 7-5	Reserved. Always read as 0.
<b>RTOSIP</b>	Bits 4-2	Prescale timer 0 interrupt interval 000   /2 001   /4 010   /8 011   /16 100   /32 101   /64 110   /128 111   /256
<b>RTOSIE</b>	Bit 1	Prescale timer 0 interrupt enable 0     Interrupt not enabled 1     Interrupt enabled
<b>RTOSIFG</b>	Bit 0	Prescale timer 0 interrupt flag 0     No time event occurred. 1     Time event occurred.

**Real-Time Clock Prescale Timer 1 Control Register (RTCPS1CTL)**

15	14	13	12	11	10	9	8
<b>RT1SSEL</b>		<b>RT1PSDIV</b>			<b>Reserved</b>	<b>Reserved</b>	<b>RT1PSHOLD</b>
rw-0	rw-0	rw-0	rw-0	rw-0	r0	r0	rw-1
7	6	5	4	3	2	1	0
<b>Reserved</b>	<b>Reserved</b>	<b>Reserved</b>	<b>RT1IP</b>		<b>RT1PSIE</b>	<b>RT1PSIFG</b>	
r0	r0	r0	rw-0	rw-0	rw-0	rw-0	rw-(0)

<b>RT1SSEL</b>	Bits 15-14	Prescale timer 1 clock source select. Selects clock input source to the RT1PS counter. In real-time clock calendar mode, these bits are do not care. RT1PS clock input is automatically set to the output of RT0PS. 00 ACLK 01 SMCLK 10 Output from RT0PS 11 Output from RT0PS
<b>RT1PSDIV</b>	Bits 13-11	Prescale timer 1 clock divide. These bits control the divide ratio of the RT0PS counter. In real-time clock calendar mode, these bits are don't care for RT0PS and RT1PS. RT0PS clock output is automatically set to /256. RT1PS clock output is automatically set to /128. 000 /2 001 /4 010 /8 011 /16 100 /32 101 /64 110 /128 111 /256
<b>Reserved</b>	Bits 10-9	Reserved. Always read as 0.
<b>RT1PSHOLD</b>	Bit 8	Prescale timer 1 hold. In real-time clock calendar mode, this bit is don't care. RT1PS is stopped via the RTCHOLD bit. 0 RT1PS is operational. 1 RT1PS is held.
<b>Reserved</b>	Bits 7-5	Reserved. Always read as 0.
<b>RT1IP</b>	Bits 4-2	Prescale timer 1 interrupt interval 000 /2 001 /4 010 /8 011 /16 100 /32 101 /64 110 /128 111 /256
<b>RT1PSIE</b>	Bit 1	Prescale timer 1 interrupt enable 0 Interrupt not enabled 1 Interrupt enabled
<b>RT1PSIFG</b>	Bit 0	Prescale timer 1 interrupt flag 0 No time event occurred. 1 Time event occurred.

**Real-Time Clock Prescale Timer 0 Counter Register (RT0PS)**

7	6	5	4	3	2	1	0
<b>RT0PS</b>							
rw	rw	rw	rw	rw	rw	rw	rw

**RT0PS**      Bits 7-0      Prescale timer 0 counter value

**Real-Time Clock Prescale Timer 1 Counter Register (RT1PS)**

7	6	5	4	3	2	1	0
<b>RT1PS</b>							
rw	rw	rw	rw	rw	rw	rw	rw

**RT1PS**      Bits 7-0      Prescale timer 1 counter value

**Real-Time Clock Interrupt Vector Register (RTCIV)**

15	14	13	12	11	10	9	8
<b>0</b>	<b>0</b>	<b>0</b>	<b>0</b>	<b>0</b>	<b>0</b>	<b>0</b>	<b>0</b>
r0	r0	r0	r0	r0	r0	r0	r0
7	6	5	4	3	2	1	0
<b>0</b>	<b>0</b>						<b>0</b>
r0	r0	r0	r-(0)	r-(0)	r-(0)	r-(0)	r0

**RTCIV**      Bits 15-0      Real-time clock interrupt vector value

RTCIV Contents	Interrupt Source	Interrupt Flag	Interrupt Priority
00h	No interrupt pending		
02h	RTC ready	RTCRDYIFG	Highest
04h	RTC interval timer	RTCTEVIFG	
06h	RTC user alarm	RTCAIFG	
08h	RTC prescaler 0	RT0PSIFG	
0Ah	RTC prescaler 1	RT1PSIFG	
0Ch	Reserved		
0Eh	Reserved		
10h	Reserved		Lowest





## ***Universal Serial Communication Interface – UART Mode***

---

---

---

The universal serial communication interface (USCI) supports multiple serial communication modes with one hardware module. This chapter discusses the operation of the asynchronous UART mode.

<b>Topic</b>	<b>Page</b>
<b>16.1 Universal Serial Communication Interface (USCI) Overview.....</b>	<b>410</b>
<b>16.2 USCI Introduction – UART Mode .....</b>	<b>411</b>
<b>16.3 USCI Operation – UART Mode.....</b>	<b>413</b>
<b>16.4 USCI Registers – UART Mode .....</b>	<b>429</b>

## 16.1 Universal Serial Communication Interface (USCI) Overview

The USCI modules support multiple serial communication modes. Different USCI modules support different modes. Each different USCI module is named with a different letter. For example, USCI\_A is different from USCI\_B, etc. If more than one identical USCI module is implemented on one device, those modules are named with incrementing numbers. For example, if one device has two USCI\_A modules, they are named USCI\_A0 and USCI\_A1. See the device-specific data sheet to determine which USCI modules, if any, are implemented on which devices.

USCI\_Ax modules support:

- UART mode
- Pulse shaping for IrDA communications
- Automatic baud-rate detection for LIN communications
- SPI mode

USCI\_Bx modules support:

- I<sup>2</sup>C mode
- SPI mode

## 16.2 USCI Introduction – UART Mode

In asynchronous mode, the USCI\_Ax modules connect the device to an external system via two external pins, UCAXRXD and UCAXTXD. UART mode is selected when the UCSYNC bit is cleared.

UART mode features include:

- 7- or 8-bit data with odd, even, or non-parity
- Independent transmit and receive shift registers
- Separate transmit and receive buffer registers
- LSB-first or MSB-first data transmit and receive
- Built-in idle-line and address-bit communication protocols for multiprocessor systems
- Receiver start-edge detection for auto wake up from LPMx modes
- Programmable baud rate with modulation for fractional baud-rate support
- Status flags for error detection and suppression
- Status flags for address detection
- Independent interrupt capability for receive and transmit

Figure 16-1 shows the USCI\_Ax when configured for UART mode.

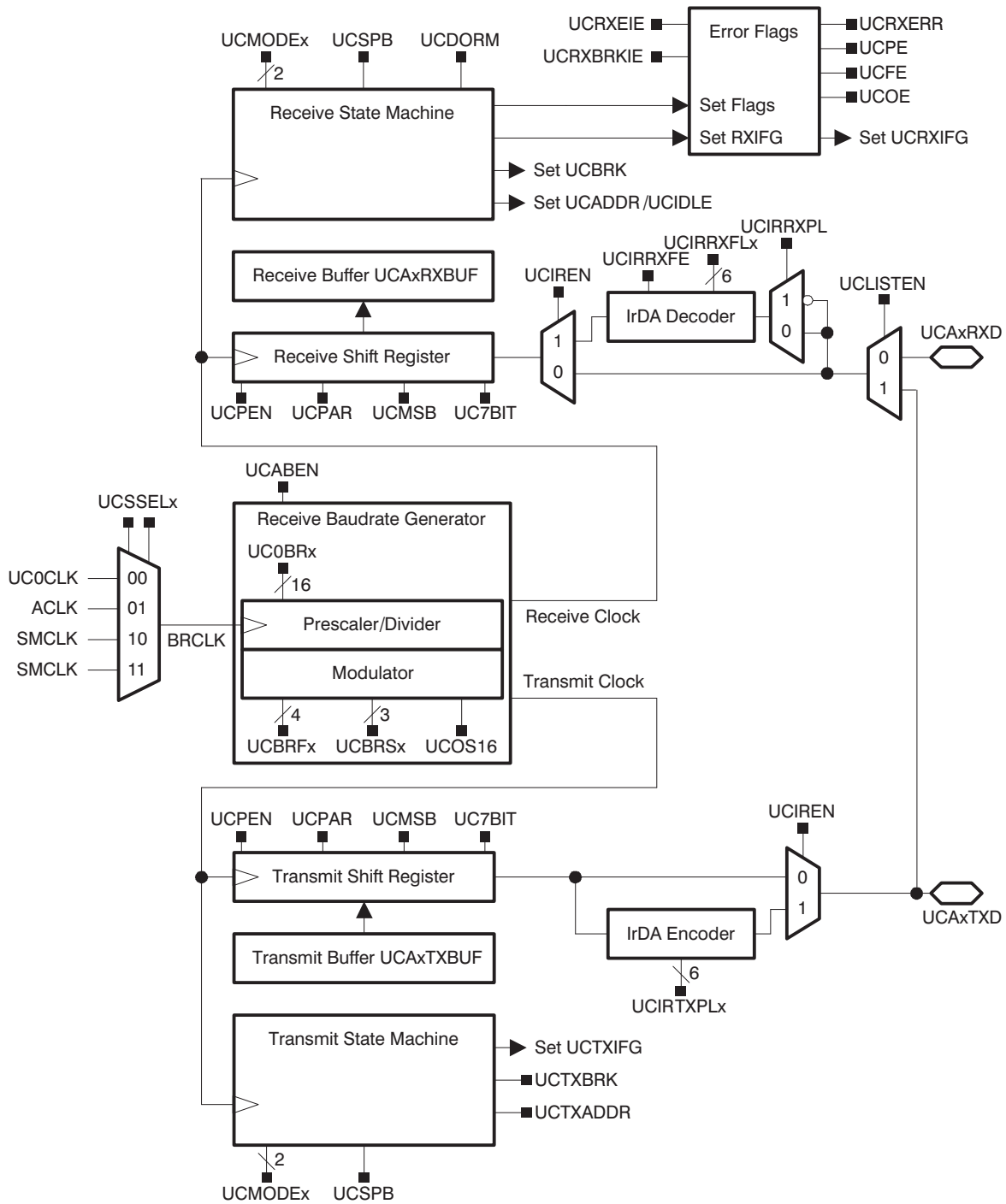


Figure 16-1. USCI\_Ax Block Diagram – UART Mode (UCSYNC = 0)

## 16.3 USCI Operation – UART Mode

In UART mode, the USCI transmits and receives characters at a bit rate asynchronous to another device. Timing for each character is based on the selected baud rate of the USCI. The transmit and receive functions use the same baud-rate frequency.

### 16.3.1 USCI Initialization and Reset

The USCI is reset by a PUC or by setting the UCSWRST bit. After a PUC, the UCSWRST bit is automatically set, keeping the USCI in a reset condition. When set, the UCSWRST bit resets the UCRXIE, UCTXIE, UCRXIFG, UCRXERR, UCBRK, UCPE, UCOE, UCFE, UCSTOE, and UCBTOE bits, and sets the UCTXIFG bit. Clearing UCSWRST releases the USCI for operation.

---

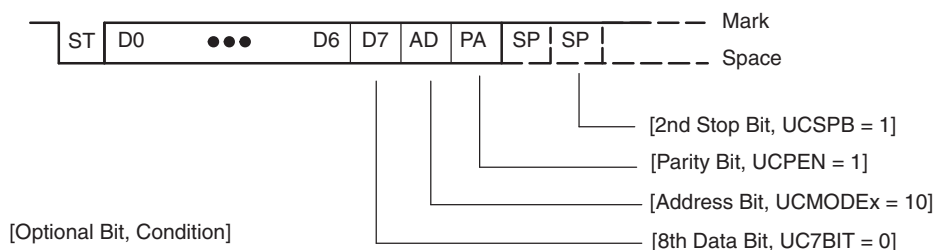
**Note: Initializing or reconfiguring the USCI module**

The recommended USCI initialization/reconfiguration process is:

1. Set UCSWRST (BIS.B #UCSWRST, &UCAxCTL1).
  2. Initialize all USCI registers with UCSWRST = 1 (including UCAxCTL1).
  3. Configure ports.
  4. Clear UCSWRST via software (BIC.B #UCSWRST, &UCAxCTL1).
  5. Enable interrupts (optional) via UCRXIE and/or UCTXIE.
- 

### 16.3.2 Character Format

The UART character format (see [Figure 16-2](#)) consists of a start bit, seven or eight data bits, an even/odd/no parity bit, an address bit (address-bit mode), and one or two stop bits. The UCMSB bit controls the direction of the transfer and selects LSB or MSB first. LSB first is typically required for UART communication.



**Figure 16-2. Character Format**

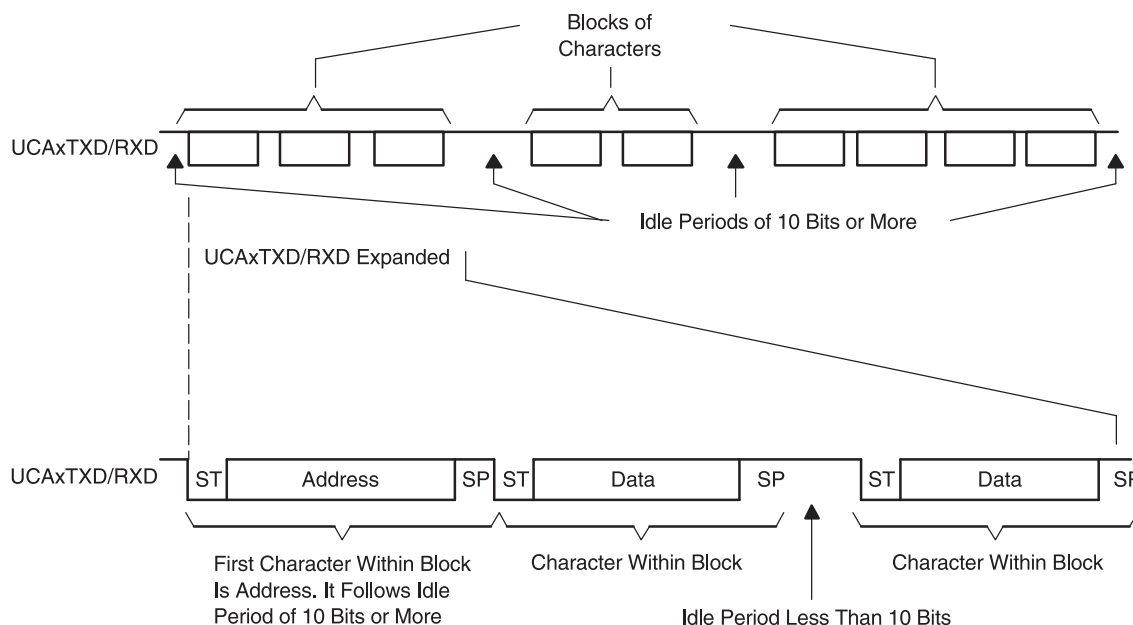
### 16.3.3 Asynchronous Communication Format

When two devices communicate asynchronously, no multiprocessor format is required for the protocol. When three or more devices communicate, the USCI supports the idle-line and address-bit multiprocessor communication formats.

#### Idle-Line Multiprocessor Format

When UCMODEx = 01, the idle-line multiprocessor format is selected. Blocks of data are separated by an idle time on the transmit or receive lines (see [Figure 16-3](#)). An idle receive line is detected when ten or more continuous ones (marks) are received after the one or two stop bits of a character. The baud-rate generator is switched off after reception of an idle line until the next start edge is detected. When an idle line is detected, the UCIDLE bit is set.

The first character received after an idle period is an address character. The UCIDLE bit is used as an address tag for each block of characters. In idle-line multiprocessor format, this bit is set when a received character is an address.



**Figure 16-3. Idle-Line Format**

The UCDORM bit is used to control data reception in the idle-line multiprocessor format. When UCDORM = 1, all non-address characters are assembled but not transferred into the UCAxRXBUF, and interrupts are not generated. When an address character is received, the character is transferred into UCAxRXBUF, UCRXIFG is set, and any applicable error flag is set when UCRXEIE = 1. When UCRXEIE = 0 and an address character is received but has a framing error or parity error, the character is not transferred into UCAxRXBUF and UCRXIFG is not set.

If an address is received, user software can validate the address and must reset UCDORM to continue receiving data. If UCDORM remains set, only address characters are received. When UCDORM is cleared during the reception of a character, the receive interrupt flag is set after the reception completed. The UCDORM bit is not modified by the USCI hardware automatically.

For address transmission in idle-line multiprocessor format, a precise idle period can be generated by the USCI to generate address character identifiers on UCAxTXD. The double-buffered UCTXADDR flag indicates if the next character loaded into UCAxTXBUF is preceded by an idle line of 11 bits. UCTXADDR is automatically cleared when the start bit is generated.

### Transmitting an Idle Frame

The following procedure sends out an idle frame to indicate an address character followed by associated data:

1. Set UCTXADDR, then write the address character to UCAxTXBUF. UCAxTXBUF must be ready for new data (UCTXIFG = 1).  
This generates an idle period of exactly 11 bits followed by the address character. UCTXADDR is reset automatically when the address character is transferred from UCAxTXBUF into the shift register.
2. Write desired data characters to UCAxTXBUF. UCAxTXBUF must be ready for new data (UCTXIFG = 1).  
The data written to UCAxTXBUF is transferred to the shift register and transmitted as soon as the shift register is ready for new data.  
The idle-line time must not be exceeded between address and data transmission or between data transmissions. Otherwise, the transmitted data is misinterpreted as an address.

### Address-Bit Multiprocessor Format

When UCMODEx = 10, the address-bit multiprocessor format is selected. Each processed character contains an extra bit used as an address indicator (see Figure 16-4). The first character in a block of characters carries a set address bit that indicates that the character is an address. The USCI UCADDR bit is set when a received character has its address bit set and is transferred to UCAxRXBUF.

The UCDORM bit is used to control data reception in the address-bit multiprocessor format. When UCDORM is set, data characters with address bit = 0 are assembled by the receiver but are not transferred to UCAxRXBUF and no interrupts are generated. When a character containing a set address bit is received, the character is transferred into UCAxRXBUF, UCRXIFG is set, and any applicable error flag is set when UCRXEIE = 1. When UCRXEIE = 0 and a character containing a set address bit is received but has a framing error or parity error, the character is not transferred into UCAxRXBUF and UCRXIFG is not set.

If an address is received, user software can validate the address and must reset UCDORM to continue receiving data. If UCDORM remains set, only address characters with address bit = 1 are received. The UCDORM bit is not modified by the USCI hardware automatically.

When UCDORM = 0, all received characters set the receive interrupt flag UCRXIFG. If UCDORM is cleared during the reception of a character, the receive interrupt flag is set after the reception is completed.

For address transmission in address-bit multiprocessor mode, the address bit of a character is controlled by the UCTXADDR bit. The value of the UCTXADDR bit is loaded into the address bit of the character transferred from UCAxTXBUF to the transmit shift register. UCTXADDR is automatically cleared when the start bit is generated.

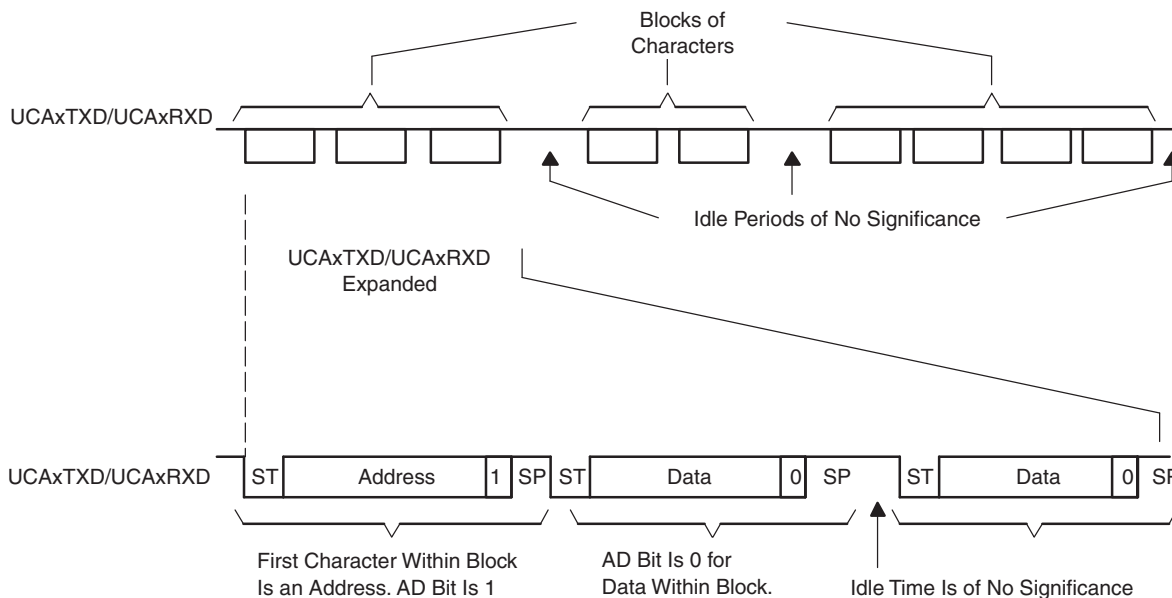


Figure 16-4. Address-Bit Multiprocessor Format

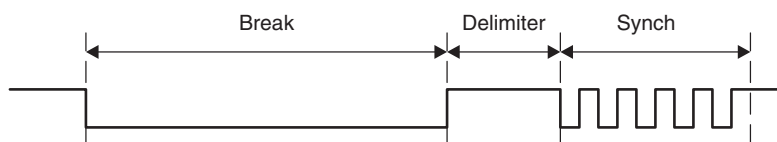
### Break Reception and Generation

When UCMODEx = 00, 01, or 10, the receiver detects a break when all data, parity, and stop bits are low, regardless of the parity, address mode, or other character settings. When a break is detected, the UCBRK bit is set. If the break interrupt enable bit (UCBRKIE) is set, the receive interrupt flag UCRXIFG is also set. In this case, the value in UCAxRXBUF is 0h, because all data bits were zero.

To transmit a break, set the UCTXBRK bit, then write 0h to UCAxTXBUF. UCAxTXBUF must be ready for new data (UCTXIFG = 1). This generates a break with all bits low. UCTXBRK is automatically cleared when the start bit is generated.

### 16.3.4 Automatic Baud-Rate Detection

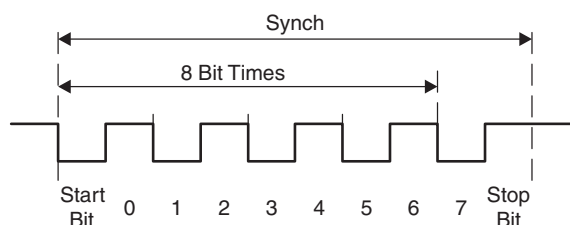
When UCMODEx = 11, UART mode with automatic baud-rate detection is selected. For automatic baud-rate detection, a data frame is preceded by a synchronization sequence that consists of a break and a synch field. A break is detected when 11 or more continuous zeros (spaces) are received. If the length of the break exceeds 21 bit times the break timeout error flag UCSTOE is set. The USCI can not transmit data while receiving the break/synch field. The synch field follows the break as shown in Figure 16-5.



**Figure 16-5. Auto Baud-Rate Detection – Break/Synch Sequence**

For LIN conformance, the character format should be set to eight data bits, LSB first, no parity, and one stop bit. No address bit is available.

The synch field consists of the data 055h inside a byte field (see Figure 16-6). The synchronization is based on the time measurement between the first falling edge and the last falling edge of the pattern. The transmit baud-rate generator is used for the measurement if automatic baud-rate detection is enabled by setting UCABDEN. Otherwise, the pattern is received but not measured. The result of the measurement is transferred into the baud-rate control registers (UCAxBR0, UCAxBR1, and UCAxMCTL). If the length of the synch field exceeds the measurable time, the synch timeout error flag UCSTOE is set.



**Figure 16-6. Auto Baud-Rate Detection – Synch Field**

The UCDORM bit is used to control data reception in this mode. When UCDORM is set, all characters are received but not transferred into the UCAxRXBUF, and interrupts are not generated. When a break/synch field is detected, the UCBRK flag is set. The character following the break/synch field is transferred into UCAxRXBUF and the UCRXIFG interrupt flag is set. Any applicable error flag is also set. If the UCBRKIE bit is set, reception of the break/synch sets the UCRXIFG. The UCBRK bit is reset by user software or by reading the receive buffer UCAxRXBUF.

When a break/synch field is received, user software must reset UCDORM to continue receiving data. If UCDORM remains set, only the character after the next reception of a break/synch field is received. The UCDORM bit is not modified by the USCI hardware automatically.

When UCDORM = 0, all received characters set the receive interrupt flag UCRXIFG. If UCDORM is cleared during the reception of a character, the receive interrupt flag is set after the reception is complete.

The counter used to detect the baud rate is limited to 07FFFh (32767) counts. This means the minimum baud rate detectable is 488 baud in oversampling mode and 30 baud in low-frequency mode.

The automatic baud-rate detection mode can be used in a full-duplex communication system with some restrictions. The USCI can not transmit data while receiving the break/synch field and, if a 0h byte with framing error is received, any data transmitted during this time gets corrupted. The latter case can be discovered by checking the received data and the UCFE bit.



## Transmitting a Break/Synch Field

The following procedure transmits a break/synch field:

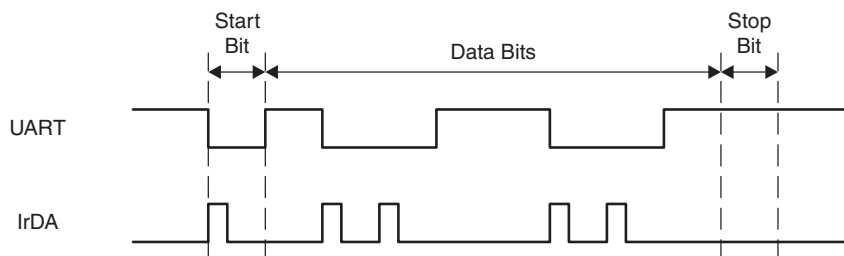
1. Set UCTXBRK with UMODEx = 11.
2. Write 055h to UCAXTXBUF. UCAXTXBUF must be ready for new data (UCTXIFG = 1).  
This generates a break field of 13 bits followed by a break delimiter and the synch character. The length of the break delimiter is controlled with the UCDELIMx bits. UCTXBRK is reset automatically when the synch character is transferred from UCAXTXBUF into the shift register.
3. Write desired data characters to UCAXTXBUF. UCAXTXBUF must be ready for new data (UCTXIFG = 1).  
The data written to UCAXTXBUF is transferred to the shift register and transmitted as soon as the shift register is ready for new data.

### 16.3.5 IrDA Encoding and Decoding

When UCIREN is set, the IrDA encoder and decoder are enabled and provide hardware bit shaping for IrDA communication.

#### IrDA Encoding

The encoder sends a pulse for every zero bit in the transmit bit stream coming from the UART (see [Figure 16-7](#)). The pulse duration is defined by UCIRTXPLx bits specifying the number of one-half clock periods of the clock selected by UCIRTXCLK.



**Figure 16-7. UART vs IrDA Data Format**

To set the pulse time of 3/16 bit period required by the IrDA standard, the BITCLK16 clock is selected with UCIRTXCLK = 1, and the pulse length is set to six one-half clock cycles with UCIRTXPLx = 6 - 1 = 5.

When UCIRTXCLK = 0, the pulse length  $t_{PULSE}$  is based on BRCLK and is calculated as:

$$UCIRTXPLX = t_{PULSE} \times 2 \times f_{BRCLK} - 1$$

When UCIRTXCLK = 0, the prescaler UCBRx must to be set to a value greater or equal to 5.

#### IrDA Decoding

The decoder detects high pulses when UCIRRXPL = 0. Otherwise, it detects low pulses. In addition to the analog glitch filter, an additional programmable digital filter stage can be enabled by setting UCIRRXFE. When UCIRRXFE is set, only pulses longer than the programmed filter length are passed. Shorter pulses are discarded. The equation to program the filter length UCIRRXFLx is:

$$UCIRRXFLX = (t_{PULSE} - t_{WAKE}) \times 2 \times f_{BRCLK} - 4$$

Where:

$t_{PULSE}$  = Minimum receive pulse width

$t_{WAKE}$  = Wake time from any low-power mode. Zero when the device is in active mode.

### 16.3.6 Automatic Error Detection

Glitch suppression prevents the USCI from being accidentally started. Any pulse on UCAXRXD shorter than the deglitch time  $t_d$  (approximately 150 ns) is ignored (see the device-specific data sheet for parameters).

When a low period on UCAXRXD exceeds  $t_d$ , a majority vote is taken for the start bit. If the majority vote fails to detect a valid start bit, the USCI halts character reception and waits for the next low period on UCAXRXD. The majority vote is also used for each bit in a character to prevent bit errors.

The USCI module automatically detects framing errors, parity errors, overrun errors, and break conditions when receiving characters. The bits UCFE, UCPE, UCOE, and UCBRK are set when their respective condition is detected. When the error flags UCFE, UCPE, or UCOE are set, UCRXERR is also set. The error conditions are described in [Table 16-1](#).

**Table 16-1. Receive Error Conditions**

Error Condition	Error Flag	Description
Framing error	UCFE	A framing error occurs when a low stop bit is detected. When two stop bits are used, both stop bits are checked for framing error. When a framing error is detected, the UCFE bit is set.
Parity error	UCPE	A parity error is a mismatch between the number of 1s in a character and the value of the parity bit. When an address bit is included in the character, it is included in the parity calculation. When a parity error is detected, the UCPE bit is set.
Receive overrun	UCOE	An overrun error occurs when a character is loaded into UCAXRXBUF before the prior character has been read. When an overrun occurs, the UCOE bit is set.
Break condition	UCBRK	When not using automatic baud-rate detection, a break is detected when all data, parity, and stop bits are low. When a break condition is detected, the UCBRK bit is set. A break condition can also set the interrupt flag UCRXIFG if the break interrupt enable UCBRKIE bit is set.

When UCRXEIE = 0 and a framing error or parity error is detected, no character is received into UCAXRXBUF. When UCRXEIE = 1, characters are received into UCAXRXBUF and any applicable error bit is set.

When any of the UCFE, UCPE, UCOE, UCBRK, or UCRXERR bit is set, the bit remains set until user software resets it or UCAXRXBUF is read. UCOE must be reset by reading UCAXRXBUF. Otherwise, it does not function properly. To detect overflows reliably the following flow is recommended. After a character was received and UCAXRXIFG is set, first read UCAXSTAT to check the error flags including the overflow flag UCOE. Read UCAXRXBUF next. This clears all error flags except UCOE, if UCAXRXBUF was overwritten between the read access to UCAXSTAT and to UCAXRXBUF. Therefore, the UCOE flag should be checked after reading UCAXRXBUF to detect this condition. Note that, in this case, the UCRXERR flag is not set.

### 16.3.7 USCI Receive Enable

The USCI module is enabled by clearing the UCSWRST bit and the receiver is ready and in an idle state. The receive baud rate generator is in a ready state but is not clocked nor producing any clocks.

The falling edge of the start bit enables the baud rate generator and the UART state machine checks for a valid start bit. If no valid start bit is detected the UART state machine returns to its idle state and the baud rate generator is turned off again. If a valid start bit is detected, a character is received.

When the idle-line multiprocessor mode is selected with UCMODEx = 01 the UART state machine checks for an idle line after receiving a character. If a start bit is detected another character is received. Otherwise the UCIDLE flag is set after 10 ones are received and the UART state machine returns to its idle state and the baud rate generator is turned off.

### Receive Data Glitch Suppression

Glitch suppression prevents the USCI from being accidentally started. Any glitch on UCAXRXD shorter than the deglitch time  $t_t$  (approximately 150 ns) is ignored by the USCI, and further action is initiated as shown in Figure 16-8 (see the device-specific data sheet for parameters).

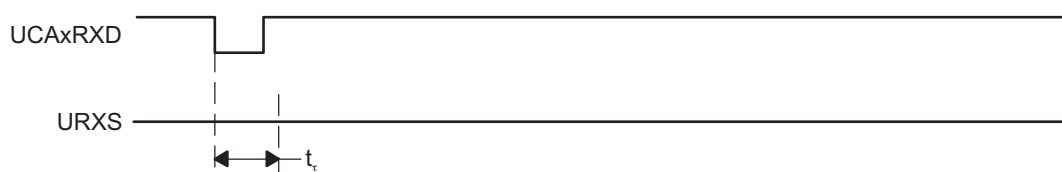


Figure 16-8. Glitch Suppression, USCI Receive Not Started

When a glitch is longer than  $t_t$ , or a valid start bit occurs on UCAXRXD, the USCI receive operation is started and a majority vote is taken (see Figure 16-9). If the majority vote fails to detect a start bit, the USCI halts character reception.

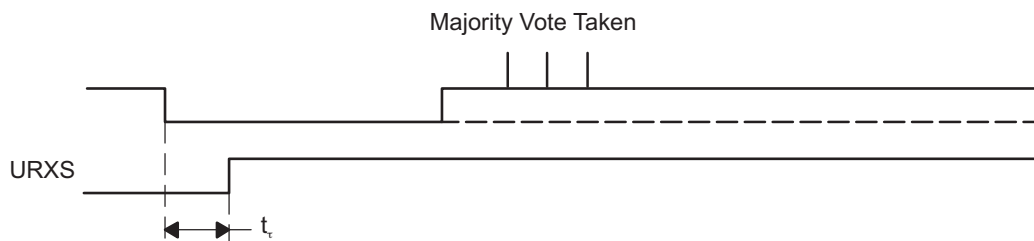


Figure 16-9. Glitch Suppression, USCI Activated

### 16.3.8 USCI Transmit Enable

The USCI module is enabled by clearing the UCSWRST bit and the transmitter is ready and in an idle state. The transmit baud-rate generator is ready but is not clocked nor producing any clocks.

A transmission is initiated by writing data to UCAXTXBUF. When this occurs, the baud-rate generator is enabled, and the data in UCAXTXBUF is moved to the transmit shift register on the next BITCLK after the transmit shift register is empty. UCTXIFG is set when new data can be written into UCAXTXBUF.

Transmission continues as long as new data is available in UCAXTXBUF at the end of the previous byte transmission. If new data is not in UCAXTXBUF when the previous byte has transmitted, the transmitter returns to its idle state and the baud-rate generator is turned off.

### 16.3.9 UART Baud-Rate Generation

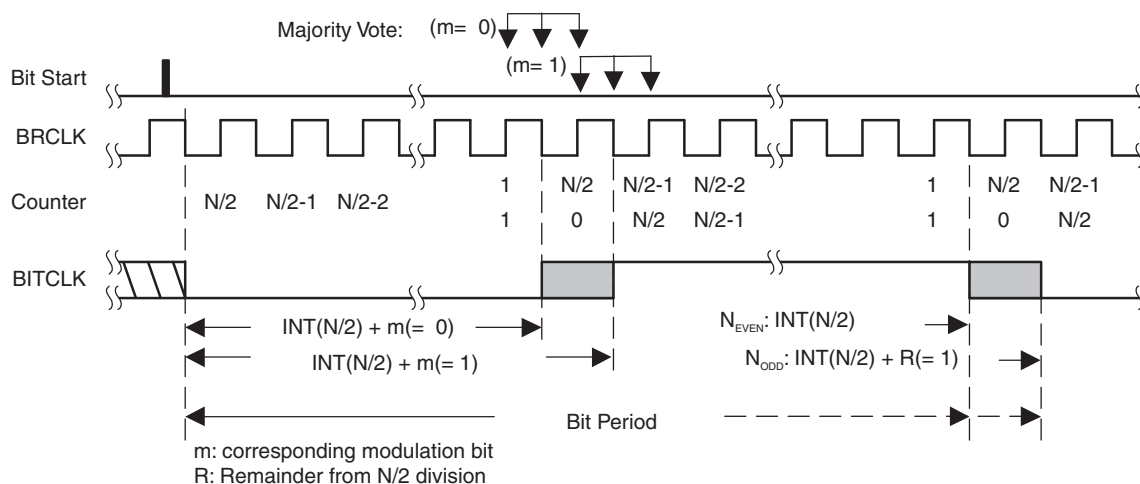
The USCI baud-rate generator is capable of producing standard baud rates from nonstandard source frequencies. It provides two modes of operation selected by the UCOS16 bit.

#### Low-Frequency Baud-Rate Generation

The low-frequency mode is selected when UCOS16 = 0. This mode allows generation of baud rates from low frequency clock sources (e.g., 9600 baud from a 32768-Hz crystal). By using a lower input frequency, the power consumption of the module is reduced. Using this mode with higher frequencies and higher prescaler settings causes the majority votes to be taken in an increasingly smaller window and, thus, decrease the benefit of the majority vote.

In low-frequency mode, the baud-rate generator uses one prescaler and one modulator to generate bit clock timing. This combination supports fractional divisors for baud-rate generation. In this mode, the maximum USCI baud rate is one-third the UART source clock frequency BRCLK.

Timing for each bit is shown in Figure 16-10. For each bit received, a majority vote is taken to determine the bit value. These samples occur at the  $N/2 - 1/2$ ,  $N/2$ , and  $N/2 + 1/2$  BRCLK periods, where N is the number of BRCLKs per BITCLK.



**Figure 16-10. BITCLK Baud-Rate Timing With UCOS16 = 0**

Modulation is based on the UCBSRx setting (see Table 16-2). A 1 in the table indicates that  $m = 1$  and the corresponding BITCLK period is one BRCLK period longer than a BITCLK period with  $m = 0$ . The modulation wraps around after eight bits but restarts with each new start bit.

**Table 16-2. BITCLK Modulation Pattern**

UCBSRx	Bit 0 (Start Bit)	Bit 1	Bit 2	Bit 3	Bit 4	Bit 5	Bit 6	Bit 7
0	0	0	0	0	0	0	0	0
1	0	1	0	0	0	0	0	0
2	0	1	0	0	0	1	0	0
3	0	1	0	1	0	1	0	0
4	0	1	0	1	0	1	0	1
5	0	1	1	1	0	1	0	1
6	0	1	1	1	0	1	1	1
7	0	1	1	1	1	1	1	1

## Oversampling Baud-Rate Generation

The oversampling mode is selected when UCOS16 = 1. This mode supports sampling a UART bit stream with higher input clock frequencies. This results in majority votes that are always 1/16 of a bit clock period apart. This mode also easily supports IrDA pulses with a 3/16 bit time when the IrDA encoder and decoder are enabled.

This mode uses one prescaler and one modulator to generate the BITCLK16 clock that is 16 times faster than the BITCLK. An additional divider and modulator stage generates BITCLK from BITCLK16. This combination supports fractional divisions of both BITCLK16 and BITCLK for baud-rate generation. In this mode, the maximum USCI baud rate is 1/16 the UART source clock frequency BRCLK. When UCBRx is set to 0 or 1, the first prescaler and modulator stage is bypassed and BRCLK is equal to BITCLK16 – in this case, no modulation for the BITCLK16 is possible and, thus, the UCBRFx bits are ignored.

Modulation for BITCLK16 is based on the UCBRFx setting (see [Table 16-3](#)). A 1 in the table indicates that the corresponding BITCLK16 period is one BRCLK period longer than the periods m = 0. The modulation restarts with each new bit timing.

Modulation for BITCLK is based on the UCBRSx setting (see [Table 16-2](#)) as previously described.

**Table 16-3. BITCLK16 Modulation Pattern**

UCBRFx	No. of BITCLK16 Clocks After Last Falling BITCLK Edge															
	0	1	2	3	4	5	6	7	8	9	10	11	12	13	14	15
00h	0	0	0	0	0	0	0	0	0	0	0	0	0	0	0	0
01h	0	1	0	0	0	0	0	0	0	0	0	0	0	0	0	0
02h	0	1	0	0	0	0	0	0	0	0	0	0	0	0	0	1
03h	0	1	1	0	0	0	0	0	0	0	0	0	0	0	0	1
04h	0	1	1	0	0	0	0	0	0	0	0	0	0	0	1	1
05h	0	1	1	1	0	0	0	0	0	0	0	0	0	0	1	1
06h	0	1	1	1	0	0	0	0	0	0	0	0	0	1	1	1
07h	0	1	1	1	1	0	0	0	0	0	0	0	0	1	1	1
08h	0	1	1	1	1	0	0	0	0	0	0	0	1	1	1	1
09h	0	1	1	1	1	1	0	0	0	0	0	0	1	1	1	1
0Ah	0	1	1	1	1	1	0	0	0	0	0	1	1	1	1	1
0Bh	0	1	1	1	1	1	1	0	0	0	0	1	1	1	1	1
0Ch	0	1	1	1	1	1	1	0	0	0	1	1	1	1	1	1
0Dh	0	1	1	1	1	1	1	1	0	0	1	1	1	1	1	1
0Eh	0	1	1	1	1	1	1	1	0	1	1	1	1	1	1	1
0Fh	0	1	1	1	1	1	1	1	1	1	1	1	1	1	1	1

### 16.3.10 Setting a Baud Rate

For a given BRCLK clock source, the baud rate used determines the required division factor N:

$$N = f_{\text{BRCLK}} / \text{Baudrate}$$

The division factor N is often a noninteger value, thus, at least one divider and one modulator stage is used to meet the factor as closely as possible.

If N is equal or greater than 16, the oversampling baud-rate generation mode can be chosen by setting UCOS16.

### Low-Frequency Baud-Rate Mode Setting

In low-frequency mode, the integer portion of the divisor is realized by the prescaler:

$$\text{UCBRx} = \text{INT}(N)$$

and the fractional portion is realized by the modulator with the following nominal formula:

$$\text{UCBRsX} = \text{round}[(N - \text{INT}(N)) \times 8]$$

Incrementing or decrementing the UCBRSx setting by one count may give a lower maximum bit error for any given bit. To determine if this is the case, a detailed error calculation must be performed for each bit for each UCBRSx setting.

### Oversampling Baud-Rate Mode Setting

In the oversampling mode, the prescaler is set to:

$$\text{UCBRx} = \text{INT}(N/16)$$

and the first stage modulator is set to:

$$\text{UCBRFx} = \text{round}[(N/16) - \text{INT}(N/16)] \times 16$$

When greater accuracy is required, the UCBRSx modulator can also be implemented with values from 0 to 7. To find the setting that gives the lowest maximum bit error rate for any given bit, a detailed error calculation must be performed for all settings of UCBRSx from 0 to 7 with the initial UCBRFx setting, and with the UCBRFx setting incremented and decremented by one.

### 16.3.11 Transmit Bit Timing

The timing for each character is the sum of the individual bit timings. Using the modulation features of the baud-rate generator reduces the cumulative bit error. The individual bit error can be calculated using the following steps.

#### Low-Frequency Baud-Rate Mode Bit Timing

In low-frequency mode, calculate the length of bit i  $T_{\text{bit,TX}}[i]$  based on the UCBRx and UCBRSx settings:

$$T_{\text{bit,TX}}[i] = (1/f_{\text{BRCLK}})(\text{UCBRx} + m_{\text{UCBRSx}}[i])$$

Where:

$$m_{\text{UCBRSx}}[i] = \text{Modulation of bit } i \text{ from Table 16-2}$$

#### Oversampling Baud-Rate Mode Bit Timing

In oversampling baud-rate mode, calculate the length of bit i  $T_{\text{bit,TX}}[i]$  based on the baud-rate generator UCBRx, UCBRFx and UCBRSx settings:

$$T_{\text{bit,TX}}[i] = \frac{1}{f_{\text{BRCLK}}} \left( (16 + m_{\text{UCBRSx}}[i]) \times \text{UCBRx} + \sum_{j=0}^{15} m_{\text{UCBRFx}}[j] \right)$$

Where:

$$\sum_{j=0}^{15} m_{\text{UCBRFx}}[j] = \text{Sum of ones from the corresponding row in Table 16-3}$$

$$m_{\text{UCBRSx}}[i] = \text{Modulation of bit } i \text{ from Table 16-2}$$

This results in an end-of-bit time  $t_{\text{bit,TX}}[i]$  equal to the sum of all previous and the current bit times:

$$T_{\text{bit,TX}}[i] = \sum_{j=0}^i T_{\text{bit,TX}}[j]$$

To calculate bit error, this time is compared to the ideal bit time  $t_{\text{bit,ideal,TX}}[i]$ :

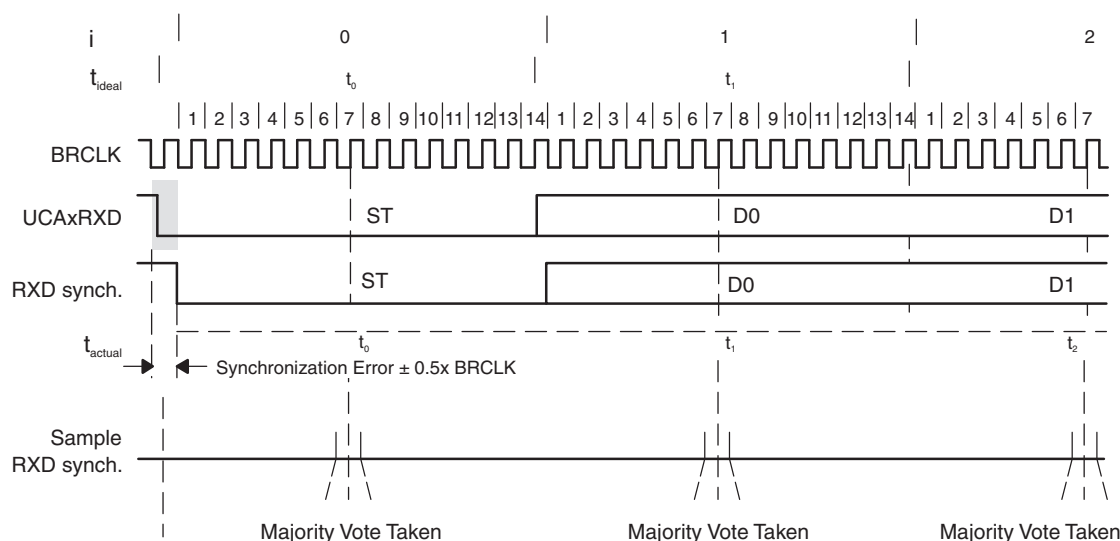
$$t_{\text{bit,ideal,TX}}[i] = (1/\text{Baudrate})(i + 1)$$

This results in an error normalized to one ideal bit time (1/baudrate):

$$\text{Error}_{\text{TX}}[i] = (t_{\text{bit,TX}}[i] - t_{\text{bit,ideal,TX}}[i]) \times \text{Baudrate} \times 100\%$$

### 16.3.12 Receive Bit Timing

Receive timing error consists of two error sources. The first is the bit-to-bit timing error similar to the transmit bit timing error. The second is the error between a start edge occurring and the start edge being accepted by the USCI module. Figure 16-11 shows the asynchronous timing errors between data on the UCxRXD pin and the internal baud-rate clock. This results in an additional synchronization error. The synchronization error  $t_{\text{SYNC}}$  is between  $-0.5$  BRCLKs and  $+0.5$  RCLKs, independent of the selected baud-rate generation mode.



**Figure 16-11. Receive Error**

The ideal sampling time  $t_{\text{bit,ideal,RX}}[i]$  is in the middle of a bit period:

$$t_{\text{bit,ideal,RX}}[i] = (1/\text{Baudrate})(i + 0.5)$$

The real sampling time,  $t_{\text{bit,RX}}[i]$ , is equal to the sum of all previous bits according to the formulas shown in the transmit timing section, plus one-half BITCLK for the current bit  $i$ , plus the synchronization error  $t_{\text{SYNC}}$ .

This results in the following  $t_{\text{bit,RX}}[i]$  for the low-frequency baud-rate mode:

$$t_{\text{bit,RX}}[i] = t_{\text{SYNC}} + \sum_{j=0}^{i-1} T_{\text{bit,RX}}[j] + \frac{1}{f_{\text{BRCLK}}} \left( \text{INT}(\frac{1}{2} \text{UCBRx}) + m_{\text{UCBRx}}[i] \right)$$

Where:

$$T_{\text{bit,RX}}[i] = (1/f_{\text{BRCLK}})(\text{UCBRx} + m_{\text{UCBRx}}[i])$$

$$m_{\text{UCBRx}}[i] = \text{Modulation of bit } i \text{ from Table 16-2}$$

For the oversampling baud-rate mode, the sampling time  $t_{\text{bit,RX}}[i]$  of bit  $i$  is calculated by:

$$t_{\text{bit,RX}}[i] = t_{\text{SYNC}} + \sum_{j=0}^{i-1} T_{\text{bit,RX}}[j] + \frac{1}{f_{\text{BRCLK}}} \left( (8 + m_{\text{UCBRsX}}[i]) \times \text{UCBRx} + \sum_{j=0}^{7 + m_{\text{UCBRsX}}[i]} m_{\text{UCBRFx}}[j] \right)$$

Where:

$$T_{\text{bit,RX}}[i] = \frac{1}{f_{\text{BRCLK}}} \left( (16 + m_{\text{UCBRsX}}[i]) \times \text{UCBRx} + \sum_{j=0}^{15} m_{\text{UCBRFx}}[j] \right)$$

$\sum_{j=0}^{7 + m_{\text{UCBRsX}}[i]} m_{\text{UCBRFx}}[j]$  = Sum of ones from columns 0 to  $(7 + m_{\text{UCBRsX}}[i])$  from the corresponding row in [Table 16-3](#).

$m_{\text{UCBRsX}}[i]$  = Modulation of bit  $i$  from [Table 16-2](#)

This results in an error normalized to one ideal bit time (1/baudrate) according to the following formula:

$$\text{Error}_{\text{RX}}[i] = (t_{\text{bit,RX}}[i] - t_{\text{bit,ideal,RX}}[i]) \times \text{Baudrate} \times 100\%$$

### 16.3.13 Typical Baud Rates and Errors

Standard baud-rate data for UCBRx, UCBRSx, and UCBRFx are listed in [Table 16-4](#) and [Table 16-5](#) for a 32,768-Hz crystal sourcing ACLK and typical SMCLK frequencies. Please ensure that the selected BRCLK frequency does not exceed the device specific maximum USCI input frequency (see the device-specific data sheet).

The receive error is the accumulated time versus the ideal scanning time in the middle of each bit. The worst-case error is given for the reception of an 8-bit character with parity and one stop bit including synchronization error.

The transmit error is the accumulated timing error versus the ideal time of the bit period. The worst-case error is given for the transmission of an 8-bit character with parity and stop bit.

**Table 16-4. Commonly Used Baud Rates, Settings, and Errors, UCOS16 = 0**

BRCLK Frequency (Hz)	Baud Rate (baud)	UCBRx	UCBRSx	UCBRFx	Maximum TX Error (%)	Maximum RX Error (%)	Maximum TX Error (%)	Maximum RX Error (%)
32,768	1200	27	2	0	-2.8	1.4	-5.9	2.0
32,768	2400	13	6	0	-4.8	6.0	-9.7	8.3
32,768	4800	6	7	0	-12.1	5.7	-13.4	19.0
32,768	9600	3	3	0	-21.1	15.2	-44.3	21.3
1,000,000	9600	104	1	0	-0.5	0.6	-0.9	1.2
1,000,000	19200	52	0	0	-1.8	0	-2.6	0.9
1,000,000	38400	26	0	0	-1.8	0	-3.6	1.8
1,000,000	57600	17	3	0	-2.1	4.8	-6.8	5.8
1,000,000	115200	8	6	0	-7.8	6.4	-9.7	16.1
1,048,576	9600	109	2	0	-0.2	0.7	-1.0	0.8
1,048,576	19200	54	5	0	-1.1	1.0	-1.5	2.5
1,048,576	38400	27	2	0	-2.8	1.4	-5.9	2.0
1,048,576	57600	18	1	0	-4.6	3.3	-6.8	6.6
1,048,576	115200	9	1	0	-1.1	10.7	-11.5	11.3
4,000,000	9600	416	6	0	-0.2	0.2	-0.2	0.4
4,000,000	19200	208	3	0	-0.2	0.5	-0.3	0.8
4,000,000	38400	104	1	0	-0.5	0.6	-0.9	1.2
4,000,000	57600	69	4	0	-0.6	0.8	-1.8	1.1
4,000,000	115200	34	6	0	-2.1	0.6	-2.5	3.1
4,000,000	230400	17	3	0	-2.1	4.8	-6.8	5.8



**Table 16-4. Commonly Used Baud Rates, Settings, and Errors, UCOS16 = 0 (continued)**

BRCLK Frequency (Hz)	Baud Rate (baud)	UCBRx	UCBRsX	UCBRFx	Maximum TX Error (%)	Maximum RX Error (%)		
4,194,304	9600	436	7	0	-0.3	0	-0.3	0.2
4,194,304	19200	218	4	0	-0.2	0.2	-0.3	0.6
4,194,304	57600	72	7	0	-1.1	0.6	-1.3	1.9
4,194,304	115200	36	3	0	-1.9	1.5	-2.7	3.4
8,000,000	9600	833	2	0	-0.1	0	-0.2	0.1
8,000,000	19200	416	6	0	-0.2	0.2	-0.2	0.4
8,000,000	38400	208	3	0	-0.2	0.5	-0.3	0.8
8,000,000	57600	138	7	0	-0.7	0	-0.8	0.6
8,000,000	115200	69	4	0	-0.6	0.8	-1.8	1.1
8,000,000	230400	34	6	0	-2.1	0.6	-2.5	3.1
8,000,000	460800	17	3	0	-2.1	4.8	-6.8	5.8
8,388,608	9600	873	7	0	-0.1	0.06	-0.2	0.1
8,388,608	19200	436	7	0	-0.3	0	-0.3	0.2
8,388,608	57600	145	5	0	-0.5	0.3	-1.0	0.5
8,388,608	115200	72	7	0	-1.1	0.6	-1.3	1.9
12,000,000	9600	1250	0	0	0	0	-0.05	0.05
12,000,000	19200	625	0	0	0	0	-0.2	0
12,000,000	38400	312	4	0	-0.2	0	-0.2	0.2
12,000,000	57600	208	2	0	-0.5	0.2	-0.6	0.5
12,000,000	115200	104	1	0	-0.5	0.6	-0.9	1.2
12,000,000	230400	52	0	0	-1.8	0	-2.6	0.9
12,000,000	460800	26	0	0	-1.8	0	-3.6	1.8
16,000,000	9600	1666	6	0	-0.05	0.05	-0.05	0.1
16,000,000	19200	833	2	0	-0.1	0.05	-0.2	0.1
16,000,000	38400	416	6	0	-0.2	0.2	-0.2	0.4
16,000,000	57600	277	7	0	-0.3	0.3	-0.5	0.4
16,000,000	115200	138	7	0	-0.7	0	-0.8	0.6
16,000,000	230400	69	4	0	-0.6	0.8	-1.8	1.1
16,000,000	460800	34	6	0	-2.1	0.6	-2.5	3.1
16,777,216	9600	1747	5	0	-0.04	0.03	-0.08	0.05
16,777,216	19200	873	7	0	-0.09	0.06	-0.2	0.1
16,777,216	57600	291	2	0	-0.2	0.2	-0.5	0.2
16,777,216	115200	145	5	0	-0.5	0.3	-1.0	0.5
20,000,000	9600	2083	2	0	-0.05	0.02	-0.09	0.02
20,000,000	19200	1041	6	0	-0.06	0.06	-0.1	0.1
20,000,000	38400	520	7	0	-0.2	0.06	-0.2	0.2
20,000,000	57600	347	2	0	-0.06	0.2	-0.3	0.3
20,000,000	115200	173	5	0	-0.4	0.3	-0.8	0.5
20,000,000	230400	86	7	0	-1.0	0.6	-1.0	1.7
20,000,000	460800	43	3	0	-1.4	1.3	-3.3	1.8

**Table 16-5. Commonly Used Baud Rates, Settings, and Errors, UCOS16 = 1**

BRCLK Frequency (Hz)	Baud Rate (baud)	UCBRx	UCBRsX	UCBRFx	Maximum TX Error (%)		Maximum RX Error (%)	
1,000,000	9600	6	0	8	-1.8	0	-2.2	0.4
1,000,000	19200	3	0	4	-1.8	0	-2.6	0.9
1,048,576	9600	6	0	13	-2.3	0	-2.2	0.8
1,048,576	19200	3	1	6	-4.6	3.2	-5.0	4.7
4,000,000	9600	26	0	1	0	0.9	0	1.1
4,000,000	19200	13	0	0	-1.8	0	-1.9	0.2
4,000,000	38400	6	0	8	-1.8	0	-2.2	0.4
4,000,000	57600	4	5	3	-3.5	3.2	-1.8	6.4
4,000,000	115200	2	3	2	-2.1	4.8	-2.5	7.3
4,194,304	9600	27	0	5	0	0.2	0	0.5
4,194,304	19200	13	0	10	-2.3	0	-2.4	0.1
4,194,304	57600	4	4	7	-2.5	2.5	-1.3	5.1
4,194,304	115200	2	6	3	-3.9	2.0	-1.9	6.7
8,000,000	9600	52	0	1	-0.4	0	-0.4	0.1
8,000,000	19200	26	0	1	0	0.9	0	1.1
8,000,000	38400	13	0	0	-1.8	0	-1.9	0.2
8,000,000	57600	8	0	11	0	0.88	0	1.6
8,000,000	115200	4	5	3	-3.5	3.2	-1.8	6.4
8,000,000	230400	2	3	2	-2.1	4.8	-2.5	7.3
8,388,608	9600	54	0	10	0	0.2	-0.05	0.3
8,388,608	19200	27	0	5	0	0.2	0	0.5
8,388,608	57600	9	0	2	0	2.8	-0.2	3.0
8,388,608	115200	4	4	7	-2.5	2.5	-1.3	5.1
12,000,000	9600	78	0	2	0	0	-0.05	0.05
12,000,000	19200	39	0	1	0	0	0	0.2
12,000,000	38400	19	0	8	-1.8	0	-1.8	0.1
12,000,000	57600	13	0	0	-1.8	0	-1.9	0.2
12,000,000	115200	6	0	8	-1.8	0	-2.2	0.4
12,000,000	230400	3	0	4	-1.8	0	-2.6	0.9
16,000,000	9600	104	0	3	0	0.2	0	0.3
16,000,000	19200	52	0	1	-0.4	0	-0.4	0.1
16,000,000	38400	26	0	1	0	0.9	0	1.1
16,000,000	57600	17	0	6	0	0.9	-0.1	1.0
16,000,000	115200	8	0	11	0	0.9	0	1.6
16,000,000	230400	4	5	3	-3.5	3.2	-1.8	6.4
16,000,000	460800	2	3	2	-2.1	4.8	-2.5	7.3
16,777,216	9600	109	0	4	0	0.2	-0.02	0.3
16,777,216	19200	54	0	10	0	0.2	-0.05	0.3
16,777,216	57600	18	0	3	-1.0	0	-1.0	0.3
16,777,216	115200	9	0	2	0	2.8	-0.2	3.0
20,000,000	9600	130	0	3	-0.2	0	-0.2	0.04
20,000,000	19200	65	0	2	0	0.4	-0.03	0.4
20,000,000	38400	32	0	9	0	0.4	0	0.5
20,000,000	57600	21	0	11	-0.7	0	-0.7	0.3
20,000,000	115200	10	0	14	0	2.5	-0.2	2.6

**Table 16-5. Commonly Used Baud Rates, Settings, and Errors, UCOS16 = 1 (continued)**

BRCLK Frequency (Hz)	Baud Rate (baud)	UCBRx	UCBRsx	UCBRFx	Maximum TX Error (%)	Maximum RX Error (%)		
20,000,000	230400	5	0	7	0	2.5	0	3.5
20,000,000	460800	2	6	10	-3.2	1.8	-2.8	4.6

### 16.3.14 Using the USCI Module in UART Mode With Low-Power Modes

The USCI module provides automatic clock activation for use with low-power modes. When the USCI clock source is inactive because the device is in a low-power mode, the USCI module automatically activates it when needed, regardless of the control-bit settings for the clock source. The clock remains active until the USCI module returns to its idle condition. After the USCI module returns to the idle condition, control of the clock source reverts to the settings of its control bits.

### 16.3.15 USCI Interrupts

The USCI has only one interrupt vector that is shared for transmission and for reception. USCI\_Ax and USCI\_Bx do not share the same interrupt vector.

#### USCI Transmit Interrupt Operation

The UCTXIFG interrupt flag is set by the transmitter to indicate that UCAXTXBUF is ready to accept another character. An interrupt request is generated if UCTXIE and GIE are also set. UCTXIFG is automatically reset if a character is written to UCAXTXBUF.

UCTXIFG is set after a PUC or when UCSWRST = 1. UCTXIE is reset after a PUC or when UCSWRST = 1.

#### USCI Receive Interrupt Operation

The UCRXIFG interrupt flag is set each time a character is received and loaded into UCAXRXBUF. An interrupt request is generated if UCRXIE and GIE are also set. UCRXIFG and UCRXIE are reset by a system reset PUC signal or when UCSWRST = 1. UCRXIFG is automatically reset when UCAXRXBUF is read.

Additional interrupt control features include:

- When UCAXRXEIE = 0, erroneous characters do not set UCRXIFG.
- When UCDORM = 1, nonaddress characters do not set UCRXIFG in multiprocessor modes. In plain UART mode, no characters are set UCRXIFG.
- When UCBRKIE = 1, a break condition sets the UCBRK bit and the UCRXIFG flag.

#### UCAXIV, Interrupt Vector Generator

The USCI interrupt flags are prioritized and combined to source a single interrupt vector. The interrupt vector register UCAXIV is used to determine which flag requested an interrupt. The highest-priority enabled interrupt generates a number in the UCAXIV register that can be evaluated or added to the program counter to automatically enter the appropriate software routine. Disabled interrupts do not affect the UCAXIV value.

Any access, read or write, of the UCAXIV register automatically resets the highest-pending interrupt flag. If another interrupt flag is set, another interrupt is immediately generated after servicing the initial interrupt.

## UCAxIV Software Example

The following software example shows the recommended use of UCAxIV. The UCAxIV value is added to the PC to automatically jump to the appropriate routine. The following example is given for USCI\_A0.

```
USCI_UART_ISR
    ADD    &UCA0IV, PC    ; Add offset to jump table
    RETI                               ; Vector 0: No interrupt
    JMP    RXIFG_ISR     ; Vector 2: RXIFG
TXIFG_ISR
    ...                               ; Task starts here
    RETI                               ; Return
RXIFG_ISR
    ...                               ; Vector 2
    ...                               ; Task starts here
    RETI                               ; Return
```

## 16.4 USCI Registers – UART Mode

The USCI registers applicable in UART mode listed in [Table 16-6](#). The base address can be found in the device-specific data sheet. The address offsets are listed in [Table 16-6](#).

**Table 16-6. USCI\_Ax Registers**

Register	Short Form	Register Type	Register Access	Address Offset	Initial State
USCI_Ax Control Word 0	UCAxCTLW0	Read/write	Word	00h	0001h
USCI_Ax Control 1	UCAxCTL1	Read/write	Byte	00h	01h
USCI_Ax Control 0	UCAxCTL0	Read/write	Byte	01h	00h
USCI_Ax Baud Rate Control Word	UCAxBRW	Read/write	Word	06h	0000h
USCI_Ax Baud Rate Control 0	UCAxBR0	Read/write	Byte	06h	00h
USCI_Ax Baud Rate Control 1	UCAxBR1	Read/write	Byte	07h	00h
USCI_Ax Modulation Control	UCAxMCTL	Read/write	Byte	08h	00h
Reserved - reads zero		Read	Byte	09h	00h
USCI_Ax Status	UCAxSTAT	Read/write	Byte	0Ah	00h
Reserved - reads zero		Read	Byte	0Bh	00h
USCI_Ax Receive Buffer	UCAxRXBUF	Read/write	Byte	0Ch	00h
Reserved - reads zero		Read	Byte	0Dh	00h
USCI_Ax Transmit Buffer	UCAxTXBUF	Read/write	Byte	0Eh	00h
Reserved - reads zero		Read	Byte	0Fh	00h
USCI_Ax Auto Baud Rate Control	UCAxABCTL	Read/write	Byte	10h	00h
Reserved - reads zero		Read	Byte	11h	00h
USCI_Ax IrDA Control	UCAxIRCTL	Read/write	Word	12h	0000h
USCI_Ax IrDA Transmit Control	UCAxIRTCTL	Read/write	Byte	12h	00h
USCI_Ax IrDA Receive Control	UCAxIRRCTL	Read/write	Byte	13h	00h
USCI_Ax Interrupt Control	UCAxICTL	Read/write	Word	1Ch	0000h
USCI_Ax Interrupt Enable	UCAxIE	Read/write	Byte	1Ch	00h
USCI_Ax Interrupt Flag	UCAxIFG	Read/write	Byte	1Dh	00h
USCI_Ax Interrupt Vector	UCAxIV	Read	Word	1Eh	0000h

**USCI\_Ax Control Register 0 (UCAxCTL0)**

7	6	5	4	3	2	1	0
<b>UCPEN</b>	<b>UCPAR</b>	<b>UCMSB</b>	<b>UC7BIT</b>	<b>UCSPB</b>	<b>UCMODEx</b>		<b>UCSYNC=0</b>
rw-0	rw-0	rw-0	rw-0	rw-0	rw-0	rw-0	rw-0

<b>UCPEN</b>	Bit 7	Parity enable 0 Parity disabled 1 Parity enabled. Parity bit is generated (UCAxTXD) and expected (UCAxRXD). In address-bit multiprocessor mode, the address bit is included in the parity calculation.
<b>UCPAR</b>	Bit 6	Parity select. UCPAR is not used when parity is disabled. 0 Odd parity 1 Even parity
<b>UCMSB</b>	Bit 5	MSB first select. Controls the direction of the receive and transmit shift register. 0 LSB first 1 MSB first
<b>UC7BIT</b>	Bit 4	Character length. Selects 7-bit or 8-bit character length. 0 8-bit data 1 7-bit data
<b>UCSPB</b>	Bit 3	Stop bit select. Number of stop bits. 0 One stop bit 1 Two stop bits
<b>UCMODEx</b>	Bits 2-1	USCI mode. The UCMODEx bits select the asynchronous mode when UCSYNC = 0. 00 UART mode 01 Idle-line multiprocessor mode 10 Address-bit multiprocessor mode 11 UART mode with automatic baud-rate detection
<b>UCSYNC</b>	Bit 0	Synchronous mode enable 0 Asynchronous mode 1 Synchronous mode

**USCI\_Ax Control Register 1 (UCAxCTL1)**

7	6	5	4	3	2	1	0
<b>UCSSELx</b>		<b>UCRXEIE</b>	<b>UCBRKIE</b>	<b>UCDORM</b>	<b>UCTXADDR</b>	<b>UCTXBRK</b>	<b>UCSWRST</b>
rw-0	rw-0	rw-0	rw-0	rw-0	rw-0	rw-0	rw-1

<b>UCSSELx</b>	Bits 7-6	USCI clock source select. These bits select the BRCLK source clock. 00 UCLK 01 ACLK 10 SMCLK 11 SMCLK
<b>UCRXEIE</b>	Bit 5	Receive erroneous-character interrupt enable 0 Erroneous characters rejected and UCRXIFG is not set. 1 Erroneous characters received set UCRXIFG.
<b>UCBRKIE</b>	Bit 4	Receive break character interrupt enable 0 Received break characters do not set UCRXIFG. 1 Received break characters set UCRXIFG.
<b>UCDORM</b>	Bit 3	Dormant. Puts USCI into sleep mode. 0 Not dormant. All received characters set UCRXIFG. 1 Dormant. Only characters that are preceded by an idle-line or with address bit set UCRXIFG. In UART mode with automatic baud-rate detection, only the combination of a break and synch field sets UCRXIFG.
<b>UCTXADDR</b>	Bit 2	Transmit address. Next frame to be transmitted is marked as address, depending on the selected multiprocessor mode. 0 Next frame transmitted is data. 1 Next frame transmitted is an address.
<b>UCTXBRK</b>	Bit 1	Transmit break. Transmits a break with the next write to the transmit buffer. In UART mode with automatic baud-rate detection, 055h must be written into UCAxTXBUF to generate the required break/synch fields. Otherwise, 0h must be written into the transmit buffer. 0 Next frame transmitted is not a break. 1 Next frame transmitted is a break or a break/synch.
<b>UCSWRST</b>	Bit 0	Software reset enable 0 Disabled. USCI reset released for operation. 1 Enabled. USCI logic held in reset state.

**USCI\_Ax Baud Rate Control Register 0 (UCAxBR0)**

7	6	5	4	3	2	1	0
<b>UCBRx - low byte</b>							
rw	rw	rw	rw	rw	rw	rw	rw

**USCI\_Ax Baud Rate Control Register 1 (UCAxBR1)**

7	6	5	4	3	2	1	0
<b>UCBRx - high byte</b>							
rw	rw	rw	rw	rw	rw	rw	rw

**UCBRx** Clock prescaler setting of the baud-rate generator. The 16-bit value of (UCAxBR0 + UCAxBR1 × 256) forms the prescaler value UCBRx.

**USCI\_Ax Modulation Control Register (UCAxMCTL)**

7	6	5	4	3	2	1	0
<b>UCBRFx</b>				<b>UCBRSx</b>			<b>UCOS16</b>
rw-0	rw-0	rw-0	rw-0	rw-0	rw-0	rw-0	rw-0

**UCBRFx** Bits 7-4 First modulation stage select. These bits determine the modulation pattern for BITCLK16 when UCOS16 = 1. Ignored with UCOS16 = 0. [Table 16-3](#) shows the modulation pattern.

**UCBRSx** Bits 3-1 Second modulation stage select. These bits determine the modulation pattern for BITCLK. [Table 16-2](#) shows the modulation pattern.

**UCOS16** Bit 0 Oversampling mode enabled

0 Disabled

1 Enabled



**USCI\_Ax Status Register (UCAxSTAT)**

7	6	5	4	3	2	1	0
<b>UCLISTEN</b>	<b>UCFE</b>	<b>UCOE</b>	<b>UCPE</b>	<b>UCBRK</b>	<b>UCRXERR</b>	<b>UCADDR/ UCIDLE</b>	<b>UCBUSY</b>
rw-0	rw-0	rw-0	rw-0	rw-0	rw-0	rw-0	r-0

<b>UCLISTEN</b>	Bit 7	Listen enable. The UCLISTEN bit selects loopback mode. 0 Disabled 1 Enabled. UCAxTXD is internally fed back to the receiver.
<b>UCFE</b>	Bit 6	Framing error flag 0 No error 1 Character received with low stop bit
<b>UCOE</b>	Bit 5	Overrun error flag. This bit is set when a character is transferred into UCAxRXBUF before the previous character was read. UCOE is cleared automatically when UCxRXBUF is read, and must not be cleared by software. Otherwise, it does not function correctly. 0 No error 1 Overrun error occurred.
<b>UCPE</b>	Bit 4	Parity error flag. When UCPEN = 0, UCPE is read as 0. 0 No error 1 Character received with parity error
<b>UCBRK</b>	Bit 3	Break detect flag 0 No break condition 1 Break condition occurred.
<b>UCRXERR</b>	Bit 2	Receive error flag. This bit indicates a character was received with error(s). When UCRXERR = 1, on or more error flags, UCFE, UCPE, or UCOE is also set. UCRXERR is cleared when UCAxRXBUF is read. 0 No receive errors detected 1 Receive error detected
<b>UCADDR</b>	Bit 1	Address received in address-bit multiprocessor mode. UCADDR is cleared when UCAxRXBUF is read. 0 Received character is data. 1 Received character is an address.
<b>UCIDLE</b>		Idle line detected in idle-line multiprocessor mode. UCIDLE is cleared when UCAxRXBUF is read. 0 No idle line detected 1 Idle line detected
<b>UCBUSY</b>	Bit 0	USCI busy. This bit indicates if a transmit or receive operation is in progress. 0 USCI inactive 1 USCI transmitting or receiving

**USCI\_Ax Receive Buffer Register (UCAxRXBUF)**

7	6	5	4	3	2	1	0
<b>UCRXBUFx</b>							
r	r	r	r	r	r	r	r

<b>UCRXBUFx</b>	Bits 7-0	The receive-data buffer is user accessible and contains the last received character from the receive shift register. Reading UCAxRXBUF resets the receive-error bits, the UCADDR or UCIDLE bit, and UCRXIFG. In 7-bit data mode, UCAxRXBUF is LSB justified and the MSB is always reset.
-----------------	----------	--

**USCI\_Ax Transmit Buffer Register (UCAxTXBUF)**

7	6	5	4	3	2	1	0
<b>UCTXBUFx</b>							
rw	rw	rw	rw	rw	rw	rw	rw

**UCTXBUFx** Bits 7-0 The transmit data buffer is user accessible and holds the data waiting to be moved into the transmit shift register and transmitted on UCAxTXD. Writing to the transmit data buffer clears UCTXIFG. The MSB of UCAxTXBUF is not used for 7-bit data and is reset.

**USCI\_Ax IrDA Transmit Control Register (UCAxIRTCTL)**

7	6	5	4	3	2	1	0
<b>UCIRTXPLx</b>						<b>UCIRTXCLK</b>	<b>UCIREN</b>
rw-0	rw-0	rw-0	rw-0	rw-0	rw-0	rw-0	rw-0

**UCIRTXPLx** Bits 7-2 Transmit pulse length  
Pulse length  $t_{PULSE} = (UCIRTXPLx + 1) / (2 \times f_{IRTCLK})$

**UCIRTXCLK** Bit 1 IrDA transmit pulse clock select  
0 BRCLK  
1 BITCLK16 when UCOS16 = 1. Otherwise, BRCLK.

**UCIREN** Bit 0 IrDA encoder/decoder enable  
0 IrDA encoder/decoder disabled  
1 IrDA encoder/decoder enabled

**USCI\_Ax IrDA Receive Control Register (UCAxIRRCTL)**

7	6	5	4	3	2	1	0
<b>UCIRRXFLx</b>						<b>UCIRRXPL</b>	<b>UCIRRXFE</b>
rw-0	rw-0	rw-0	rw-0	rw-0	rw-0	rw-0	rw-0

**UCIRRXFLx** Bits 7-2 Receive filter length. The minimum pulse length for receive is given by:  
 $t_{MIN} = (UCIRRXFLx + 4) / (2 \times f_{IRTCLK})$

**UCIRRXPL** Bit 1 IrDA receive input UCAxRXD polarity  
0 IrDA transceiver delivers a high pulse when a light pulse is seen.  
1 IrDA transceiver delivers a low pulse when a light pulse is seen.

**UCIRRXFE** Bit 0 IrDA receive filter enabled  
0 Receive filter disabled  
1 Receive filter enabled

**USCI\_Ax Auto Baud Rate Control Register (UCAxABCTL)**

7	6	5	4	3	2	1	0
<b>Reserved</b>		<b>UCDELIMx</b>		<b>UCSTOE</b>	<b>UCBTOE</b>	<b>Reserved</b>	<b>UCABDEN</b>
r-0	r-0	rw-0	rw-0	rw-0	rw-0	r-0	rw-0

<b>Reserved</b>	Bits 7-6	Reserved
<b>UCDELIMx</b>	Bits 5-4	Break/synch delimiter length 00 1 bit time 01 2 bit times 10 3 bit times 11 4 bit times
<b>UCSTOE</b>	Bit 3	Synch field time out error 0 No error 1 Length of synch field exceeded measurable time.
<b>UCBTOE</b>	Bit 2	Break time out error 0 No error 1 Length of break field exceeded 22 bit times.
<b>Reserved</b>	Bit 1	Reserved
<b>UCABDEN</b>	Bit 0	Automatic baud-rate detect enable 0 Baud-rate detection disabled. Length of break and synch field is not measured. 1 Baud-rate detection enabled. Length of break and synch field is measured and baud-rate settings are changed accordingly.

**USCI\_Ax Interrupt Enable Register (UCAxIE)**

7	6	5	4	3	2	1	0
<b>Reserved</b>						<b>UCTXIE</b>	<b>UCRXIE</b>
r-0	r-0	r-0	r-0	r-0	r-0	rw-0	rw-0

<b>Reserved</b>	Bits 7-2	Reserved
<b>UCTXIE</b>	Bit 1	Transmit interrupt enable 0 Interrupt disabled 1 Interrupt enabled
<b>UCRXIE</b>	Bit 0	Receive interrupt enable 0 Interrupt disabled 1 Interrupt enabled

**USCI\_Ax Interrupt Flag Register (UCAxIFG)**

7	6	5	4	3	2	1	0
<b>Reserved</b>						<b>UCTXIFG</b>	<b>UCRXIFG</b>
r-0	r-0	r-0	r-0	r-0	r-0	rw-1	rw-0

<b>Reserved</b>	Bits 7-2	Reserved
<b>UCTXIFG</b>	Bit 1	Transmit interrupt flag. UCTXIFG is set when UCAxTXBUF empty. 0 No interrupt pending 1 Interrupt pending
<b>UCRXIFG</b>	Bit 0	Receive interrupt flag. UCRXIFG is set when UCAxRXBUF has received a complete character. 0 No interrupt pending 1 Interrupt pending

**USCI\_Ax Interrupt Vector Register (UCAxIV)**

15	14	13	12	11	10	9	8
0	0	0	0	0	0	0	0
r0	r0	r0	r0	r0	r0	r0	r0
7	6	5	4	3	2	1	0
0	0	0	0	0	<b>UCIVx</b>		0
r0	r0	r0	r-0	r-0	r-0	r-0	r0

**UCIVx**

Bits 15-0 USCI interrupt vector value

<b>UCAxIV Contents</b>	<b>Interrupt Source</b>	<b>Interrupt Flag</b>	<b>Interrupt Priority</b>
000h	No interrupt pending		
002h	Data received	UCRXIFG	Highest
004h	Transmit buffer empty	UCTXIFG	Lowest

## ***Universal Serial Communication Interface – SPI Mode***

---

---

---

The universal serial communication interface (USCI) supports multiple serial communication modes with one hardware module. This chapter discusses the operation of the synchronous peripheral interface (SPI) mode.

<b>Topic</b>	<b>Page</b>
<b>17.1 Universal Serial Communication Interface (USCI) Overview.....</b>	<b>438</b>
<b>17.2 USCI Introduction – SPI Mode.....</b>	<b>439</b>
<b>17.3 USCI Operation – SPI Mode.....</b>	<b>441</b>
<b>17.4 USCI Registers – SPI Mode.....</b>	<b>446</b>

## 17.1 Universal Serial Communication Interface (USCI) Overview

The universal serial communication interface (USCI) modules support multiple serial communication modes. Different USCI modules support different modes. Each different USCI module is named with a different letter. For example, USCI\_A is different from USCI\_B, etc. If more than one identical USCI module is implemented on one device, those modules are named with incrementing numbers. For example, if one device has two USCI\_A modules, they are named USCI\_A0 and USCI\_A1. See the device-specific data sheet to determine which USCI modules, if any, are implemented on which devices.

USCI\_Ax modules support:

- UART mode
- Pulse shaping for IrDA communications
- Automatic baud-rate detection for LIN communications
- SPI mode

USCI\_Bx modules support:

- I<sup>2</sup>C mode
- SPI mode

## 17.2 USCI Introduction – SPI Mode

In synchronous mode, the USCI connects the device to an external system via three or four pins: UCxSIMO, UCxSOMI, UCxCLK, and UCxSTE. SPI mode is selected when the UCSYNC bit is set, and SPI mode (3-pin or 4-pin) is selected with the UCMODEx bits.

SPI mode features include:

- 7-bit or 8-bit data length
- LSB-first or MSB-first data transmit and receive
- 3-pin and 4-pin SPI operation
- Master or slave modes
- Independent transmit and receive shift registers
- Separate transmit and receive buffer registers
- Continuous transmit and receive operation
- Selectable clock polarity and phase control
- Programmable clock frequency in master mode
- Independent interrupt capability for receive and transmit
- Slave operation in LPM4

[Figure 17-1](#) shows the USCI when configured for SPI mode.

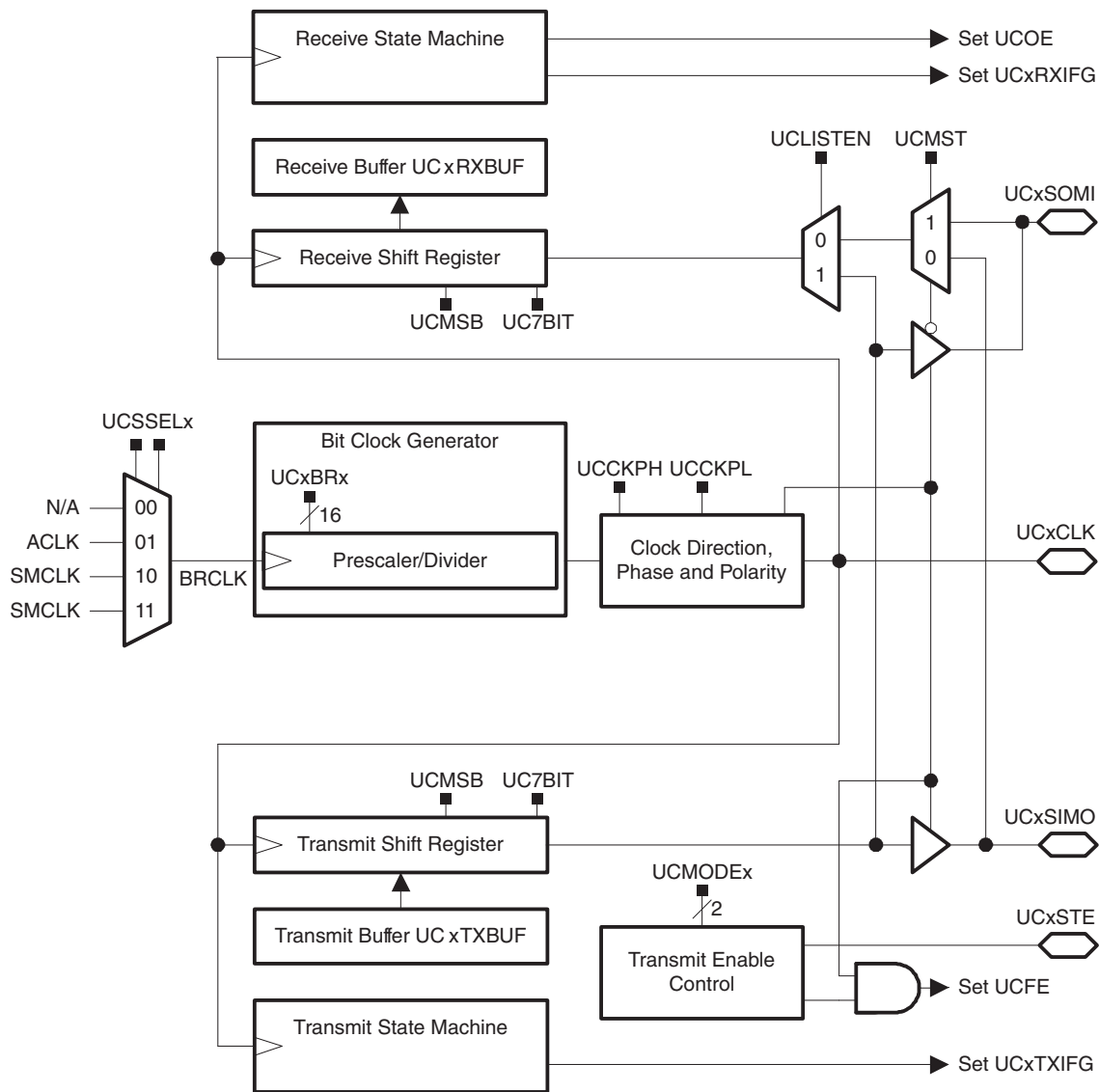


Figure 17-1. USCI Block Diagram – SPI Mode



### 17.3 USCI Operation – SPI Mode

In SPI mode, serial data is transmitted and received by multiple devices using a shared clock provided by the master. An additional pin, UCxSTE, is provided to enable a device to receive and transmit data and is controlled by the master.

Three or four signals are used for SPI data exchange:

- UCxSIMO slave in, master out Master mode: UCxSIMO is the data output line. Slave mode: UCxSIMO is the data input line.
- UCxSOMI slave out, master in Master mode: UCxSOMI is the data input line. Slave mode: UCxSOMI is the data output line.
- UCxCLK USCI SPI clock Master mode: UCxCLK is an output. Slave mode: UCxCLK is an input.
- UCxSTE slave transmit enable. Used in 4-pin mode to allow multiple masters on a single bus. Not used in 3-pin mode. [Table 17-1](#) describes the UCxSTE operation.

**Table 17-1. UCxSTE Operation**

UCMODEx	UCxSTE Active State	UCxSTE	Slave	Master
01	High	0	Inactive	Active
		1	Active	Inactive
10	Low	0	Active	Inactive
		1	Inactive	Active

#### 17.3.1 USCI Initialization and Reset

The USCI is reset by a PUC or by the UCSWRST bit. After a PUC, the UCSWRST bit is automatically set, keeping the USCI in a reset condition. When set, the UCSWRST bit resets the UCRXIE, UCTXIE, UCRXIFG, UCOE, and UCFE bits, and sets the UCTXIFG flag. Clearing UCSWRST releases the USCI for operation.

---

**Note: Initializing or reconfiguring the USCI module**

The recommended USCI initialization/reconfiguration process is:

1. Set UCSWRST (`BIS.B #UCSWRST, &UCxCTL1`).
  2. Initialize all USCI registers with UCSWRST = 1 (including UCxCTL1).
  3. Configure ports.
  4. Clear UCSWRST via software (`BIC.B #UCSWRST, &UCxCTL1`).
  5. Enable interrupts (optional) via UCRXIE and/or UCTXIE.
- 

#### 17.3.2 Character Format

The USCI module in SPI mode supports 7-bit and 8-bit character lengths selected by the UC7BIT bit. In 7-bit data mode, UCxRXBUF is LSB justified and the MSB is always reset. The UCMSB bit controls the direction of the transfer and selects LSB or MSB first.

---

**Note: Default character format**

The default SPI character transmission is LSB first. For communication with other SPI interfaces, MSB-first mode may be required.

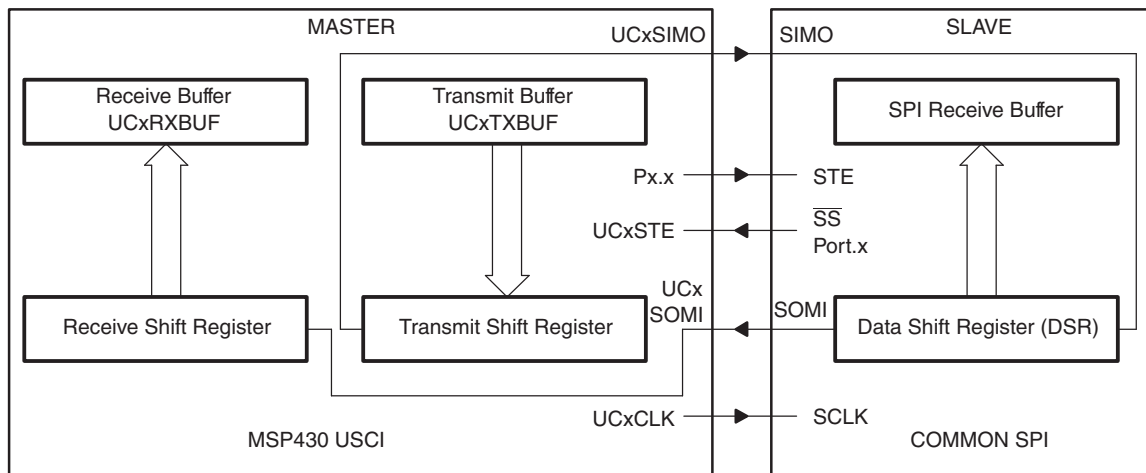
---

**Note: Character format for Figures**

Figures throughout this chapter use MSB-first format.

---

### 17.3.3 Master Mode



**Figure 17-2. USCI Master and External Slave**

Figure 17-2 shows the USCI as a master in both 3-pin and 4-pin configurations. The USCI initiates data transfer when data is moved to the transmit data buffer UCxTXBUF. The UCxTXBUF data is moved to the transmit (TX) shift register when the TX shift register is empty, initiating data transfer on UCxSIMO starting with either the MSB or LSB, depending on the UCMSB setting. Data on UCxSOMI is shifted into the receive shift register on the opposite clock edge. When the character is received, the receive data is moved from the receive (RX) shift register to the received data buffer UCxRXBUF and the receive interrupt flag UCRXIFG is set, indicating the RX/TX operation is complete.

A set transmit interrupt flag, UCTXIFG, indicates that data has moved from UCxTXBUF to the TX shift register and UCxTXBUF is ready for new data. It does not indicate RX/TX completion.

To receive data into the USCI in master mode, data must be written to UCxTXBUF, because receive and transmit operations operate concurrently.

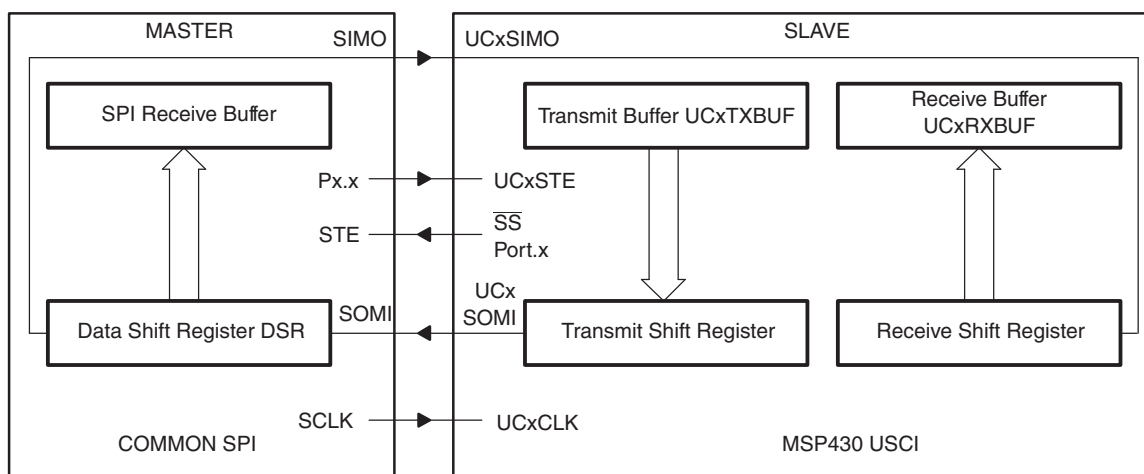
#### 4-Pin SPI Master Mode

In 4-pin master mode, UCxSTE is used to prevent conflicts with another master and controls the master as described in Table 17-1. When UCxSTE is in the master-inactive state:

- UCxSIMO and UCxCLK are set to inputs and no longer drive the bus.
- The error bit UCFE is set, indicating a communication integrity violation to be handled by the user.
- The internal state machines are reset and the shift operation is aborted.

If data is written into UCxTXBUF while the master is held inactive by UCxSTE, it is transmit as soon as UCxSTE transitions to the master-active state. If an active transfer is aborted by UCxSTE transitioning to the master-inactive state, the data must be rewritten into UCxTXBUF to be transferred when UCxSTE transitions back to the master-active state. The UCxSTE input signal is not used in 3-pin master mode.

### 17.3.4 Slave Mode



**Figure 17-3. USCI Slave and External Master**

Figure 17-3 shows the USCI as a slave in both 3-pin and 4-pin configurations. UCxCLK is used as the input for the SPI clock and must be supplied by the external master. The data-transfer rate is determined by this clock and not by the internal bit clock generator. Data written to UCxTXBUF and moved to the TX shift register before the start of UCxCLK is transmitted on UCxSOMI. Data on UCxSIMO is shifted into the receive shift register on the opposite edge of UCxCLK and moved to UCxRXBUF when the set number of bits are received. When data is moved from the RX shift register to UCxRXBUF, the UCRXIFG interrupt flag is set, indicating that data has been received. The overrun error bit UCOE is set when the previously received data is not read from UCxRXBUF before new data is moved to UCxRXBUF.

#### 4-Pin SPI Slave Mode

In 4-pin slave mode, UCxSTE is used by the slave to enable the transmit and receive operations and is provided by the SPI master. When UCxSTE is in the slave-active state, the slave operates normally. When UCxSTE is in the slave-inactive state:

- Any receive operation in progress on UCxSIMO is halted.
- UCxSOMI is set to the input direction.
- The shift operation is halted until the UCxSTE line transitions into the slave transmit active state.

The UCxSTE input signal is not used in 3-pin slave mode.

#### 17.3.5 SPI Enable

When the USCI module is enabled by clearing the UCSWRST bit, it is ready to receive and transmit. In master mode, the bit clock generator is ready, but is not clocked nor producing any clocks. In slave mode, the bit clock generator is disabled and the clock is provided by the master.

A transmit or receive operation is indicated by UCBUSY = 1.

A PUC or set UCSWRST bit disables the USCI immediately and any active transfer is terminated.

#### Transmit Enable

In master mode, writing to UCxTXBUF activates the bit clock generator, and the data begins to transmit.

In slave mode, transmission begins when a master provides a clock and, in 4-pin mode, when the UCxSTE is in the slave-active state.

#### Receive Enable

The SPI receives data when a transmission is active. Receive and transmit operations operate concurrently.

### 17.3.6 Serial Clock Control

UCxCLK is provided by the master on the SPI bus. When UCMST = 1, the bit clock is provided by the USCI bit clock generator on the UCxCLK pin. The clock used to generate the bit clock is selected with the UCSSELx bits. When UCMST = 0, the USCI clock is provided on the UCxCLK pin by the master, the bit clock generator is not used, and the UCSSELx bits are don't care. The SPI receiver and transmitter operate in parallel and use the same clock source for data transfer.

The 16-bit value of UCBRx in the bit rate control registers (UCxxBR1 and UCxxBR0) is the division factor of the USCI clock source, BRCLK. The maximum bit clock that can be generated in master mode is BRCLK. Modulation is not used in SPI mode, and UCAXMCTL should be cleared when using SPI mode for USCI\_A. The UCAXCLK/UCBxCLK frequency is given by:

$$f_{\text{BitClock}} = f_{\text{BRCLK}} / \text{UCBRx}$$

### Serial Clock Polarity and Phase

The polarity and phase of UCxCLK are independently configured via the UCCKPL and UCCKPH control bits of the USCI. Timing for each case is shown in [Figure 17-4](#).

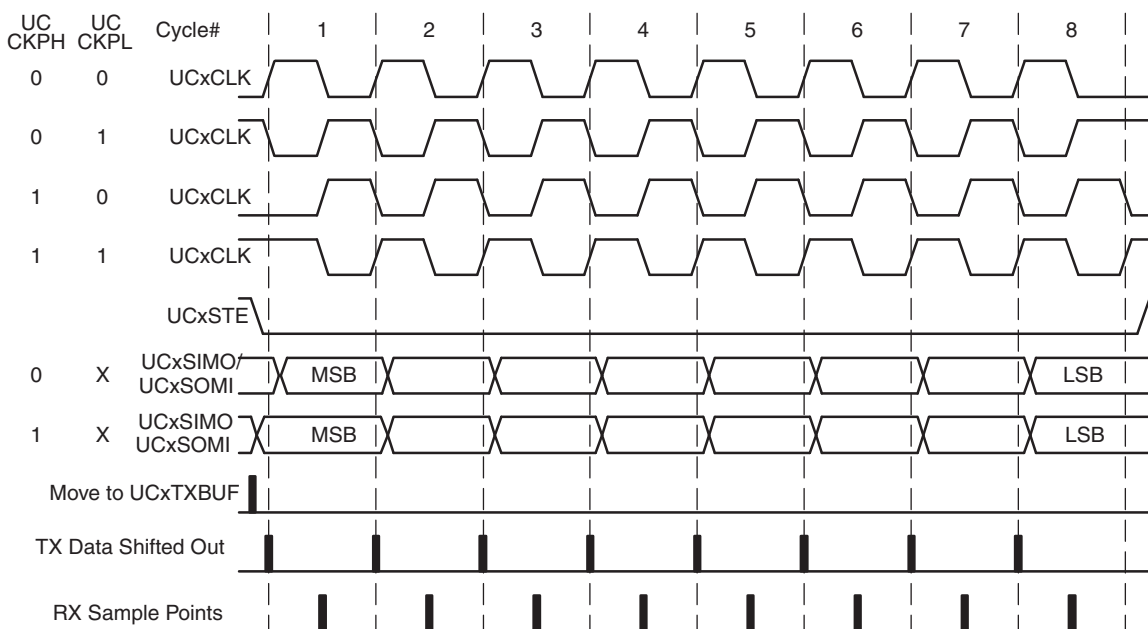


Figure 17-4. USCI SPI Timing With UCMSB = 1

### 17.3.7 Using the SPI Mode With Low-Power Modes

The USCI module provides automatic clock activation for use with low-power modes. When the USCI clock source is inactive because the device is in a low-power mode, the USCI module automatically activates it when needed, regardless of the control-bit settings for the clock source. The clock remains active until the USCI module returns to its idle condition. After the USCI module returns to the idle condition, control of the clock source reverts to the settings of its control bits.

In SPI slave mode, no internal clock source is required because the clock is provided by the external master. It is possible to operate the USCI in SPI slave mode while the device is in LPM4 and all clock sources are disabled. The receive or transmit interrupt can wake up the CPU from any low-power mode.

### 17.3.8 SPI Interrupts

The USCI has only one interrupt vector that is shared for transmission and for reception. USCI\_Ax and USC\_Bx do not share the same interrupt vector.

#### SPI Transmit Interrupt Operation

The UCTXIFG interrupt flag is set by the transmitter to indicate that UCxTXBUF is ready to accept another character. An interrupt request is generated if UCTXIE and GIE are also set. UCTXIFG is automatically reset if a character is written to UCxTXBUF. UCTXIFG is set after a PUC or when UCSWRST = 1. UCTXIE is reset after a PUC or when UCSWRST = 1.

---

**Note: Writing to UCxTXBUF in SPI mode**

Data written to UCxTXBUF when UCTXIFG = 0 may result in erroneous data transmission.

---

#### SPI Receive Interrupt Operation

The UCRXIFG interrupt flag is set each time a character is received and loaded into UCxRXBUF. An interrupt request is generated if UCRXIE and GIE are also set. UCRXIFG and UCRXIE are reset by a system reset PUC signal or when UCSWRST = 1. UCRXIFG is automatically reset when UCxRXBUF is read.

#### UCxIV, Interrupt Vector Generator

The USCI interrupt flags are prioritized and combined to source a single interrupt vector. The interrupt vector register UCxIV is used to determine which flag requested an interrupt. The highest-priority enabled interrupt generates a number in the UCxIV register that can be evaluated or added to the program counter (PC) to automatically enter the appropriate software routine. Disabled interrupts do not affect the UCxIV value.

Any access, read or write, of the UCxIV register automatically resets the highest-pending interrupt flag. If another interrupt flag is set, another interrupt is immediately generated after servicing the initial interrupt.

#### UCxIV Software Example

The following software example shows the recommended use of UCxIV. The UCxIV value is added to the PC to automatically jump to the appropriate routine. The following example is given for USCI\_B0.

```
USCI_SPI_ISR
    ADD    &UCB0IV, PC    ; Add offset to jump table
    RETI   ; Vector 0: No interrupt
    JMP    RXIFG_ISR     ; Vector 2: RXIFG
TXIFG_ISR
    ...    ; Task starts here
    RETI   ; Return
RXIFG_ISR
    ...    ; Task starts here
    RETI   ; Return
```

## 17.4 USCI Registers – SPI Mode

The USCI registers applicable in SPI mode are listed in [Table 17-2](#) and [Table 17-3](#). The base addresses can be found in the device-specific data sheet. The address offsets are listed in [Table 17-2](#) and [Table 17-3](#).

**Table 17-2. USCI\_Ax Registers**

Register	Short Form	Register Type	Register Access	Address Offset	Initial State
USCI_Ax Control Word 0	UCAxCTLW0	Read/write	Word	00h	0001h
USCI_Ax Control 1	UCAxCTL1	Read/write	Byte	00h	01h
USCI_Ax Control 0	UCAxCTL0	Read/write	Byte	01h	00h
USCI_Ax Bit Rate Control Word	UCAxBRW	Read/write	Word	06h	0000h
USCI_Ax Bit Rate Control 0	UCAxBR0	Read/write	Byte	06h	00h
USCI_Ax Bit Rate Control 1	UCAxBR1	Read/write	Byte	07h	00h
USCI_Ax Modulation Control	UCAxMCTL	Read/write	Byte	08h	00h
USCI_Ax Status	UCAxSTAT	Read/write	Byte	0Ah	00h
Reserved - reads zero		Read	Byte	0Bh	00h
USCI_Ax Receive Buffer	UCAxRXBUF	Read/write	Byte	0Ch	00h
Reserved - reads zero		Read	Byte	0Dh	00h
USCI_Ax Transmit Buffer	UCAxTXBUF	Read/write	Byte	0Eh	00h
Reserved - reads zero		Read	Byte	0Fh	00h
USCI_Ax Interrupt Control	UCAxICTL	Read/write	Word	1Ch	0200h
USCI_Ax Interrupt Enable	UCAxIE	Read/write	Byte	1Ch	00h
USCI_Ax Interrupt Flag	UCAxIFG	Read/write	Byte	1Dh	02h
USCI_Ax Interrupt Vector	UCAxIV	Read	Word	1Eh	0000h

**Table 17-3. USCI\_Bx Registers**

Register	Short Form	Register Type	Register Access	Address Offset	Initial State
USCI_Bx Control Word 0	UCBxCTLW0	Read/write	Word	00h	0101h
USCI_Bx Control 1	UCBxCTL1	Read/write	Byte	00h	01h
USCI_Bx Control 0	UCBxCTL0	Read/write	Byte	01h	01h
USCI_Bx Bit Rate Control Word	UCBxBRW	Read/write	Word	06h	0000h
USCI_Bx Bit Rate Control 0	UCBxBR0	Read/write	Byte	06h	00h
USCI_Bx Bit Rate Control 1	UCBxBR1	Read/write	Byte	07h	00h
USCI_Bx Modulation Control	UCBxMCTL	Read/write	Byte	08h	00h
USCI_Bx Status	UCBxSTAT	Read/write	Byte	0Ah	00h
Reserved - reads zero		Read	Byte	0Bh	00h
USCI_Bx Receive Buffer	UCBxRXBUF	Read/write	Byte	0Ch	00h
Reserved - reads zero		Read	Byte	0Dh	00h
USCI_Bx Transmit Buffer	UCBxTXBUF	Read/write	Byte	0Eh	00h
Reserved - reads zero		Read	Byte	0Fh	00h
USCI_Bx Interrupt Control	UCBxICTL	Read/write	Word	1Ch	0200h
USCI_Bx Interrupt Enable	UCBxIE	Read/write	Byte	1Ch	00h
USCI_Bx Interrupt Flag	UCBxIFG	Read/write	Byte	1Dh	02h
USCI_Bx Interrupt Vector	UCBxIV	Read	Word	1Eh	0000h

**USCI\_Ax Control Register 0 (UCAxCTL0)**  
**USCI\_Bx Control Register 0 (UCBxCTL0)**

7	6	5	4	3	2	1	0
UCCKPH	UCCKPL	UCMSB	UC7BIT	UCMST	UCMODEx		UCSYNC=1
rw-0	rw-0	rw-0	rw-0	rw-0	rw-0	rw-0	rw-0 <sup>(1)</sup> rw-1 <sup>(2)</sup>
<b>UCCKPH</b>	Bit 7	Clock phase select					
		0 Data is changed on the first UCLK edge and captured on the following edge.					
		1 Data is captured on the first UCLK edge and changed on the following edge.					
<b>UCCKPL</b>	Bit 6	Clock polarity select					
		0 The inactive state is low.					
		1 The inactive state is high.					
<b>UCMSB</b>	Bit 5	MSB first select. Controls the direction of the receive and transmit shift register.					
		0 LSB first					
		1 MSB first					
<b>UC7BIT</b>	Bit 4	Character length. Selects 7-bit or 8-bit character length.					
		0 8-bit data					
		1 7-bit data					
<b>UCMST</b>	Bit 3	Master mode select					
		0 Slave mode					
		1 Master mode					
<b>UCMODEx</b>	Bits 2-1	USCI mode. The UCMODEx bits select the synchronous mode when UCSYNC = 1.					
		00 3-pin SPI					
		01 4-pin SPI with UCxSTE active high: Slave enabled when UCxSTE = 1					
		10 4-pin SPI with UCxSTE active low: Slave enabled when UCxSTE = 0					
		11 I <sup>2</sup> C mode					
<b>UCSYNC</b>	Bit 0	Synchronous mode enable					
		0 Asynchronous mode					
		1 Synchronous mode					

(1) UCAxCTL0 (USCI\_Ax)

(2) UCBxCTL0 (USCI\_Bx)

**USCI\_Ax Control Register 1 (UCAxCTL1)**  
**USCI\_Bx Control Register 1 (UCBxCTL1)**

7	6	5	4	3	2	1	0
UCSSELx		Unused					UCSWRST
rw-0	rw-0	rw-0 <sup>(1)</sup> r0 <sup>(2)</sup>	rw-0	rw-0	rw-0	rw-0	rw-1
<b>UCSSELx</b>	Bits 7-6	USCI clock source select. These bits select the BRCLK source clock in master mode. UCxCLK is always used in slave mode.					
		00 NA					
		01 ACLK					
		10 SMCLK					
		11 SMCLK					
<b>Unused</b>	Bits 5-1	Unused					
<b>UCSWRST</b>	Bit 0	Software reset enable					
		0 Disabled. USCI reset released for operation.					
		1 Enabled. USCI logic held in reset state.					

(1) UCAxCTL1 (USCI\_Ax)

(2) UCBxCTL1 (USCI\_Bx)

**USCI\_Ax Bit Rate Control Register 0 (UCAxBR0)**  
**USCI\_Bx Bit Rate Control Register 0 (UCBxBR0)**

7	6	5	4	3	2	1	0
<b>UCBRx - low byte</b>							
rw	rw	rw	rw	rw	rw	rw	rw

**USCI\_Ax Bit Rate Control Register 1 (UCAxBR1)**  
**USCI\_Bx Bit Rate Control Register 1 (UCBxBR1)**

7	6	5	4	3	2	1	0
<b>UCBRx - high byte</b>							
rw	rw	rw	rw	rw	rw	rw	rw

**UCBRx**      Bits 7-0      Bit clock prescaler. The 16-bit value of (UCxxBR0 + UCxxBR1 × 256) forms the prescaler value UCBRx.

**USCI\_Ax Modulation Control Register (UCAxMCTL)**

7	6	5	4	3	2	1	0
<b>0</b>	<b>0</b>	<b>0</b>	<b>0</b>	<b>0</b>	<b>0</b>	<b>0</b>	<b>0</b>
rw-0	rw-0	rw-0	rw-0	rw-0	rw-0	rw-0	rw-0

Bits 7-0      Write as 0



**USCI\_Ax Status Register (UCAxSTAT)  
USCI\_Bx Status Register (UCBxSTAT)**

7	6	5	4	3	2	1	0
<b>UCLISTEN</b>	<b>UCFE</b>	<b>UCOE</b>	<b>Unused</b>				<b>UCBUSY</b>
rw-0	rw-0	rw-0	rw-0 <sup>(1)</sup> r0 <sup>(2)</sup>	rw-0 <sup>(1)</sup> r0 <sup>(2)</sup>	rw-0 <sup>(1)</sup> r0 <sup>(2)</sup>	rw-0 <sup>(1)</sup> r0 <sup>(2)</sup>	r-0

<b>UCLISTEN</b>	Bit 7	Listen enable. The UCLISTEN bit selects loopback mode. 0 Disabled 1 Enabled. The transmitter output is internally fed back to the receiver.
<b>UCFE</b>	Bit 6	Framing error flag. This bit indicates a bus conflict in 4-wire master mode. UCFE is not used in 3-wire master or any slave mode. 0 No error 1 Bus conflict occurred.
<b>UCOE</b>	Bit 5	Overflow error flag. This bit is set when a character is transferred into UCxRXBUF before the previous character was read. UCOE is cleared automatically when UCxRXBUF is read, and must not be cleared by software. Otherwise, it does not function correctly. 0 No error 1 Overflow error occurred.
<b>Unused</b>	Bits 4-1	Unused
<b>UCBUSY</b>	Bit 0	USCI busy. This bit indicates if a transmit or receive operation is in progress. 0 USCI inactive 1 USCI transmitting or receiving

(1) UCAxSTAT (USCI\_Ax)

(2) UCBxSTAT (USCI\_Bx)

**USCI\_Ax Receive Buffer Register (UCAxRXBUF)  
USCI\_Bx Receive Buffer Register (UCBxRXBUF)**

7	6	5	4	3	2	1	0
<b>UCRXBUFx</b>							
r	r	r	r	r	r	r	r

<b>UCRXBUFx</b>	Bits 7-0	The receive-data buffer is user accessible and contains the last received character from the receive shift register. Reading UCxRXBUF resets the receive-error bits and UCRXIFG. In 7-bit data mode, UCxRXBUF is LSB justified and the MSB is always reset.
-----------------	----------	---

**USCI\_Ax Transmit Buffer Register (UCAxTXBUF)  
USCI\_Bx Transmit Buffer Register (UCBxTXBUF)**

7	6	5	4	3	2	1	0
<b>UCTXBUFx</b>							
rw	rw	rw	rw	rw	rw	rw	rw

<b>UCTXBUFx</b>	Bits 7-0	The transmit data buffer is user accessible and holds the data waiting to be moved into the transmit shift register and transmitted. Writing to the transmit data buffer clears UCTXIFG. The MSB of UCxTXBUF is not used for 7-bit data and is reset.
-----------------	----------	---

**USCI\_Ax Interrupt Enable Register (UCAxIE)**  
**USCI\_Bx Interrupt Enable Register (UCBxIE)**

7	6	5	4	3	2	1	0
<b>Reserved</b>						<b>UCTXIE</b>	<b>UCRXIE</b>
r-0	r-0	r-0	r-0	r-0	r-0	rw-0	rw-0

<b>Reserved</b>	Bits 7-2	Reserved
<b>UCTXIE</b>	Bit 1	Transmit interrupt enable 0 Interrupt disabled 1 Interrupt enabled
<b>UCRXIE</b>	Bit 0	Receive interrupt enable 0 Interrupt disabled 1 Interrupt enabled

**USCI\_Ax Interrupt Flag Register (UCAxIFG)**  
**USCI\_Bx Interrupt Flag Register (UCBxIFG)**

7	6	5	4	3	2	1	0
<b>Reserved</b>						<b>UCTXIFG</b>	<b>UCRXIFG</b>
r-0	r-0	r-0	r-0	r-0	r-0	rw-1	rw-0

<b>Reserved</b>	Bits 7-2	Reserved
<b>UCTXIFG</b>	Bit 1	Transmit interrupt flag. UCTXIFG is set when UCxxTXBUF empty. 0 No interrupt pending 1 Interrupt pending
<b>UCRXIFG</b>	Bit 0	Receive interrupt flag. UCRXIFG is set when UCxxRXBUF has received a complete character. 0 No interrupt pending 1 Interrupt pending

**USCI\_Ax Interrupt Vector Register (UCAxIV)**  
**USCI\_Bx Interrupt Vector Register (UCBxIV)**

15	14	13	12	11	10	9	8
<b>0</b>	<b>0</b>	<b>0</b>	<b>0</b>	<b>0</b>	<b>0</b>	<b>0</b>	<b>0</b>
r0	r0	r0	r0	r0	r0	r0	r0
7	6	5	4	3	2	1	0
<b>0</b>	<b>0</b>	<b>0</b>	<b>0</b>	<b>0</b>	<b>UCIVx</b>		<b>0</b>
r0	r0	r0	r-0	r-0	r-0	r-0	r0

**UCIVx** Bits 15-0 USCI interrupt vector value

UCAxIV/ UCBxIV Contents	Interrupt Source	Interrupt Flag	Interrupt Priority
000h	No interrupt pending	–	
002h	Data received	UCRXIFG	Highest
004h	Transmit buffer empty	UCTXIFG	Lowest

## **Universal Serial Communication Interface – I<sup>2</sup>C Mode**

---

---

---

The universal serial communication interface (USCI) supports multiple serial communication modes with one hardware module. This chapter discusses the operation of the I<sup>2</sup>C mode.

<b>Topic</b>	<b>Page</b>
<b>18.1 Universal Serial Communication Interface (USCI) Overview.....</b>	<b>452</b>
<b>18.2 USCI Introduction – I<sup>2</sup>C Mode .....</b>	<b>453</b>
<b>18.3 USCI Operation – I<sup>2</sup>C Mode .....</b>	<b>454</b>
<b>18.4 USCI Registers– I<sup>2</sup>C Mode .....</b>	<b>473</b>

## 18.1 Universal Serial Communication Interface (USCI) Overview

The USCI modules support multiple serial communication modes. Different USCI modules support different modes. Each different USCI module is named with a different letter. For example, USCI\_A is different from USCI\_B, etc. If more than one identical USCI module is implemented on one device, those modules are named with incrementing numbers. For example, if one device has two USCI\_A modules, they are named USCI\_A0 and USCI\_A1. See the device-specific data sheet to determine which USCI modules, if any, are implemented on each device.

USCI\_Ax modules support:

- UART mode
- Pulse shaping for IrDA communications
- Automatic baud-rate detection for LIN communications
- SPI mode

USCI\_Bx modules support:

- I<sup>2</sup>C mode
- SPI mode

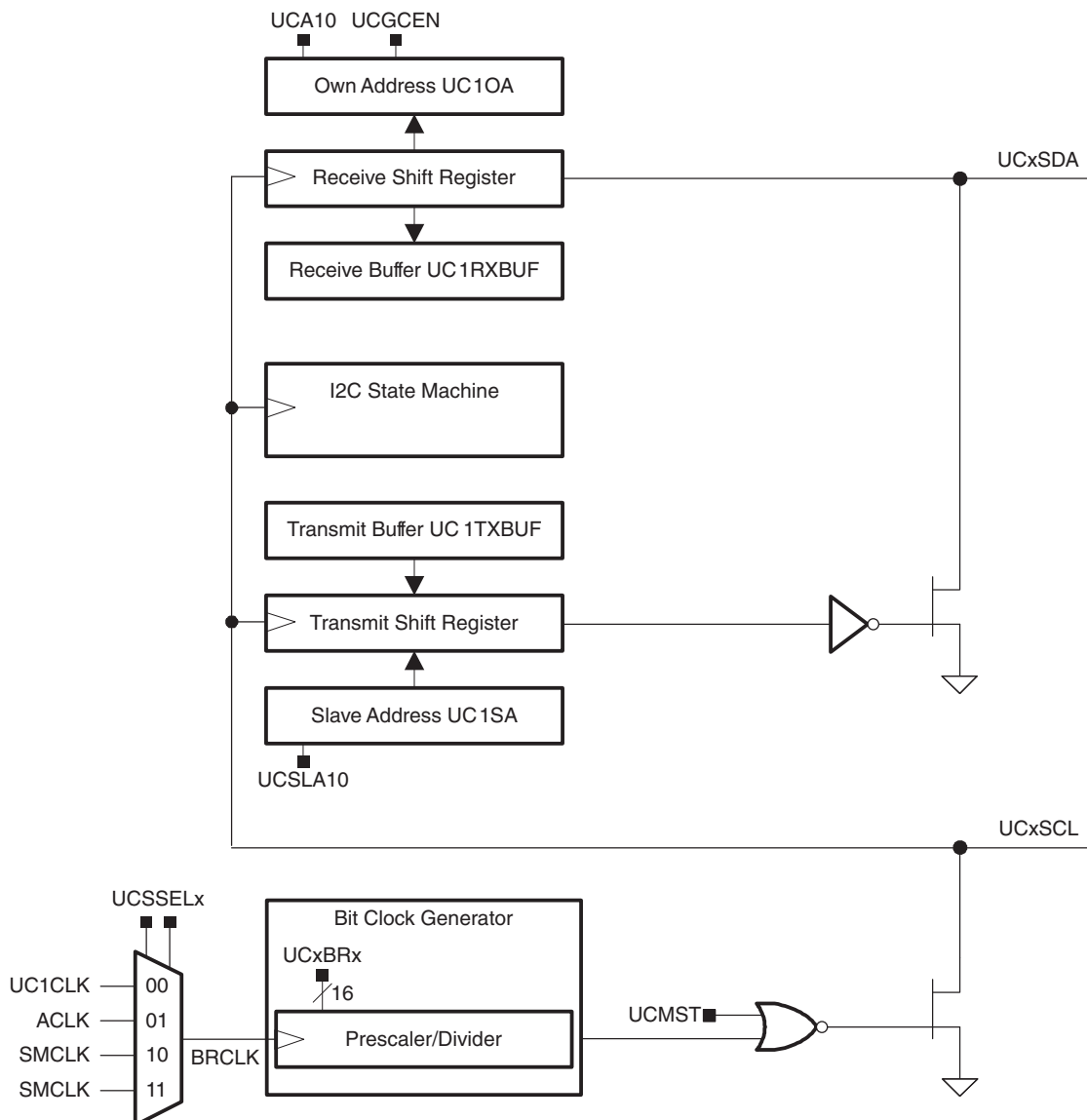
## 18.2 USCI Introduction – I<sup>2</sup>C Mode

In I<sup>2</sup>C mode, the USCI module provides an interface between the device and I<sup>2</sup>C-compatible devices connected by the two-wire I<sup>2</sup>C serial bus. External components attached to the I<sup>2</sup>C bus serially transmit and/or receive serial data to/from the USCI module through the 2-wire I<sup>2</sup>C interface.

The I<sup>2</sup>C mode features include:

- Compliance to the Philips Semiconductor I<sup>2</sup>C specification v2.1
- 7-bit and 10-bit device addressing modes
- General call
- START/RESTART/STOP
- Multi-master transmitter/receiver mode
- Slave receiver/transmitter mode
- Standard mode up to 100 kbps and fast mode up to 400 kbps support
- Programmable UCxCLK frequency in master mode
- Designed for low power
- Slave receiver START detection for auto wake up from LPMx modes
- Slave operation in LPM4

[Figure 18-1](#) shows the USCI when configured in I<sup>2</sup>C mode.

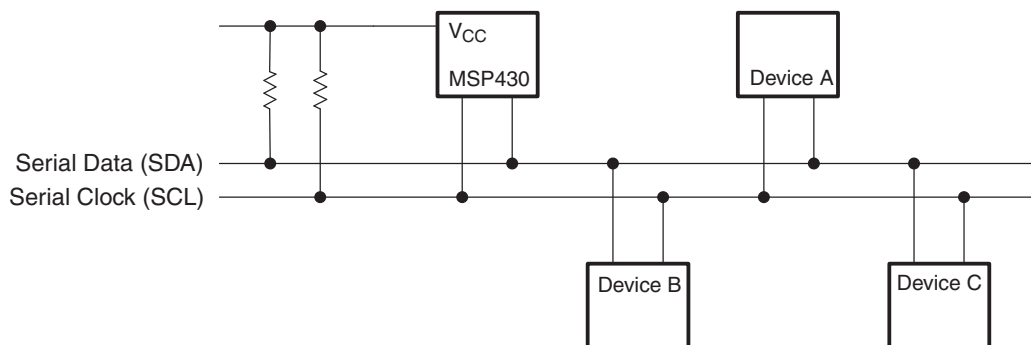


**Figure 18-1. USCI Block Diagram – I<sup>2</sup>C Mode**

### 18.3 USCI Operation – I<sup>2</sup>C Mode

The I<sup>2</sup>C mode supports any slave or master I<sup>2</sup>C-compatible device. Figure 18-2 shows an example of an I<sup>2</sup>C bus. Each I<sup>2</sup>C device is recognized by a unique address and can operate as either a transmitter or a receiver. A device connected to the I<sup>2</sup>C bus can be considered as the master or the slave when performing data transfers. A master initiates a data transfer and generates the clock signal SCL. Any device addressed by a master is considered a slave.

I<sup>2</sup>C data is communicated using the serial data (SDA) pin and the serial clock (SCL) pin. Both SDA and SCL are bidirectional and must be connected to a positive supply voltage using a pullup resistor.



**Figure 18-2. I<sup>2</sup>C Bus Connection Diagram**

---

**Note: SDA and SCL levels**

The SDA and SCL pins must not be pulled up above the device V<sub>CC</sub> level.

---

### 18.3.1 USCI Initialization and Reset

The USCI is reset by a PUC or by setting the UCSWRST bit. After a PUC, the UCSWRST bit is automatically set, keeping the USCI in a reset condition. To select I<sup>2</sup>C operation, the UCMODEx bits must be set to 11. After module initialization, it is ready for transmit or receive operation. Clearing UCSWRST releases the USCI for operation.

Configuring and reconfiguring the USCI module should be done when UCSWRST is set to avoid unpredictable behavior. Setting UCSWRST in I<sup>2</sup>C mode has the following effects:

- I<sup>2</sup>C communication stops.
- SDA and SCL are high impedance.
- UCBxI2CSTAT, bits 6–0 are cleared.
- Registers UCBxIE and UCBxIFG are cleared.
- All other bits and register remain unchanged.

---

**Note: Initializing or re-configuring the USCI module**

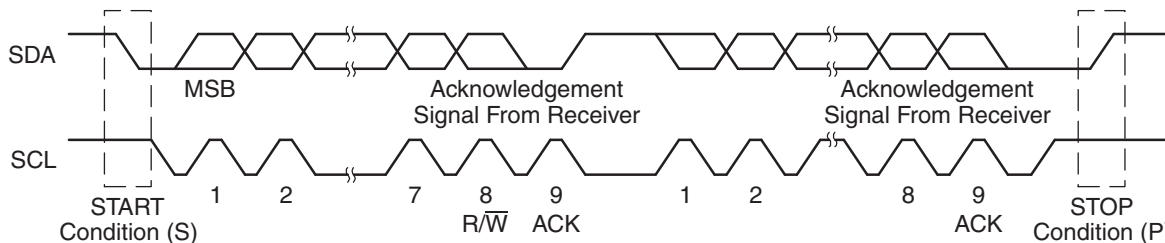
The recommended USCI initialization/reconfiguration process is:

1. Set UCSWRST (BIS.B #UCSWRST, &UCxCTL1).
  2. Initialize all USCI registers with UCSWRST = 1 (including UCxCTL1).
  3. Configure ports.
  4. Clear UCSWRST via software (BIC.B #UCSWRST, &UCxCTL1).
  5. Enable interrupts (optional).
- 

### 18.3.2 I<sup>2</sup>C Serial Data

One clock pulse is generated by the master device for each data bit transferred. The I<sup>2</sup>C mode operates with byte data. Data is transferred MSB first as shown in [Figure 18-3](#).

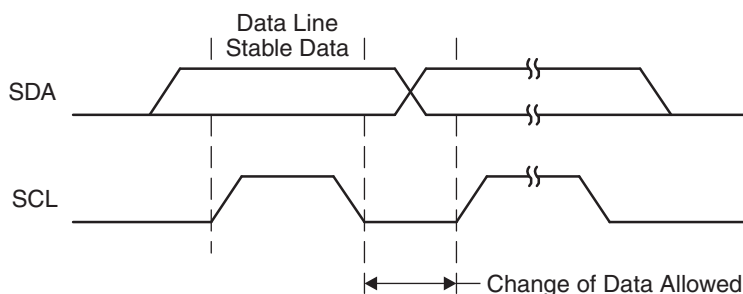
The first byte after a START condition consists of a 7-bit slave address and the R/W bit. When R/W = 0, the master transmits data to a slave. When R/W = 1, the master receives data from a slave. The ACK bit is sent from the receiver after each byte on the ninth SCL clock.



**Figure 18-3. I<sup>2</sup>C Module Data Transfer**

START and STOP conditions are generated by the master and are shown in [Figure 18-3](#). A START condition is a high-to-low transition on the SDA line while SCL is high. A STOP condition is a low-to-high transition on the SDA line while SCL is high. The bus busy bit, UCBBUSY, is set after a START and cleared after a STOP.

Data on SDA must be stable during the high period of SCL (see [Figure 18-4](#)). The high and low state of SDA can only change when SCL is low, otherwise START or STOP conditions are generated.



**Figure 18-4. Bit Transfer on I<sup>2</sup>C Bus**

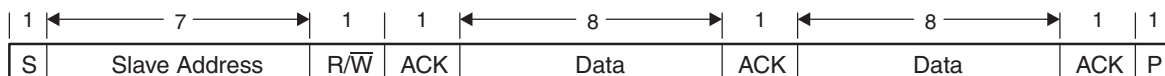


### 18.3.3 I<sup>2</sup>C Addressing Modes

The I<sup>2</sup>C mode supports 7-bit and 10-bit addressing modes.

#### 7-Bit Addressing

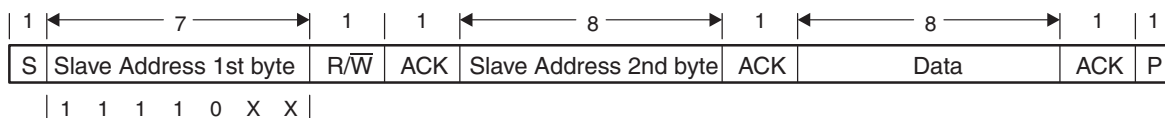
In the 7-bit addressing format (see [Figure 18-5](#)), the first byte is the 7-bit slave address and the R/W bit. The ACK bit is sent from the receiver after each byte.



**Figure 18-5. I<sup>2</sup>C Module 7-Bit Addressing Format**

#### 10-Bit Addressing

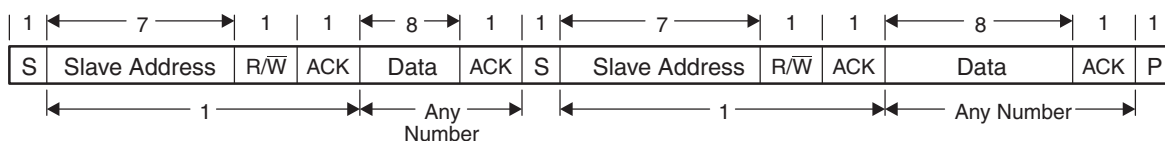
In the 10-bit addressing format (see [Figure 18-6](#)), the first byte is made up of 11110b plus the two MSBs of the 10-bit slave address and the R/W bit. The ACK bit is sent from the receiver after each byte. The next byte is the remaining eight bits of the 10-bit slave address, followed by the ACK bit and the 8-bit data. See [I<sup>2</sup>C Slave 10-bit Addressing Mode](#) and [I<sup>2</sup>C Master 10-bit Addressing Mode](#) for details how to use the 10-bit addressing mode with the USCI module.



**Figure 18-6. I<sup>2</sup>C Module 10-Bit Addressing Format**

#### Repeated Start Conditions

The direction of data flow on SDA can be changed by the master, without first stopping a transfer, by issuing a repeated START condition. This is called a RESTART. After a RESTART is issued, the slave address is again sent out with the new data direction specified by the R/W bit. The RESTART condition is shown in [Figure 18-7](#).



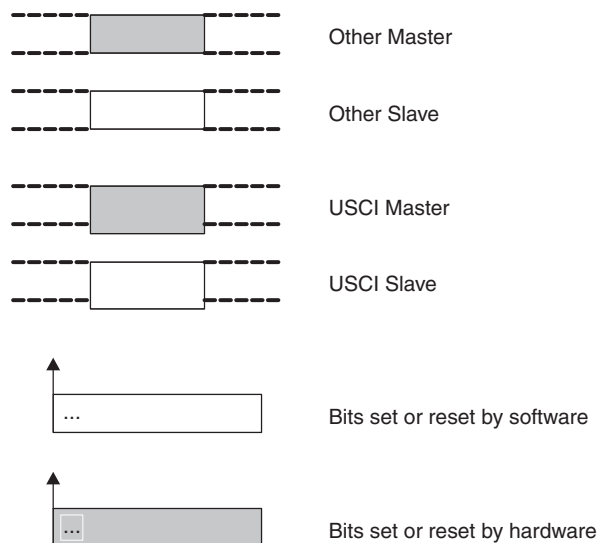
**Figure 18-7. I<sup>2</sup>C Module Addressing Format With Repeated START Condition**

### 18.3.4 I<sup>2</sup>C Module Operating Modes

In I<sup>2</sup>C mode, the USCI module can operate in master transmitter, master receiver, slave transmitter, or slave receiver mode. The modes are discussed in the following sections. Time lines are used to illustrate the modes.

Figure 18-8 shows how to interpret the time-line figures. Data transmitted by the master is represented by grey rectangles; data transmitted by the slave is represented by white rectangles. Data transmitted by the USCI module, either as master or slave, is shown by rectangles that are taller than the others.

Actions taken by the USCI module are shown in grey rectangles with an arrow indicating where in the the data stream the action occurs. Actions that must be handled with software are indicated with white rectangles with an arrow pointing to where in the data stream the action must take place.



**Figure 18-8. I<sup>2</sup>C Time-Line Legend**

### Slave Mode

The USCI module is configured as an I<sup>2</sup>C slave by selecting the I<sup>2</sup>C mode with UCMODEx = 11 and UCSYNC = 1 and clearing the UCMST bit.

Initially, the USCI module must to be configured in receiver mode by clearing the UCTR bit to receive the I<sup>2</sup>C address. Afterwards, transmit and receive operations are controlled automatically, depending on the R/W bit received together with the slave address.

The USCI slave address is programmed with the UCBxI2COA register. When UCA10 = 0, 7-bit addressing is selected. When UCA10 = 1, 10-bit addressing is selected. The UCGCEN bit selects if the slave responds to a general call.

When a START condition is detected on the bus, the USCI module receives the transmitted address and compare it against its own address stored in UCBxI2COA. The UCSTTIFG flag is set when address received matches the USCI slave address.

### I<sup>2</sup>C Slave Transmitter Mode

Slave transmitter mode is entered when the slave address transmitted by the master is identical to its own address with a set R/W bit. The slave transmitter shifts the serial data out on SDA with the clock pulses that are generated by the master device. The slave device does not generate the clock, but it does hold SCL low while intervention of the CPU is required after a byte has been transmitted.

If the master requests data from the slave, the USCI module is automatically configured as a transmitter and UCTR and UCTXIFG become set. The SCL line is held low until the first data to be sent is written into the transmit buffer UCBxTXBUF. Then the address is acknowledged, the UCSTTIFG flag is cleared, and the data is transmitted. As soon as the data is transferred into the shift register, the UCTXIFG is set again. After the data is acknowledged by the master, the next data byte written into UCBxTXBUF is transmitted or, if the buffer is empty, the bus is stalled during the acknowledge cycle by holding SCL low until new data is written into UCBxTXBUF. If the master sends a NACK succeeded by a STOP condition, the UCSTPIFG flag is set. If the NACK is succeeded by a repeated START condition, the USCI I<sup>2</sup>C state machine returns to its address-reception state.

Figure 18-9 shows the slave transmitter operation.

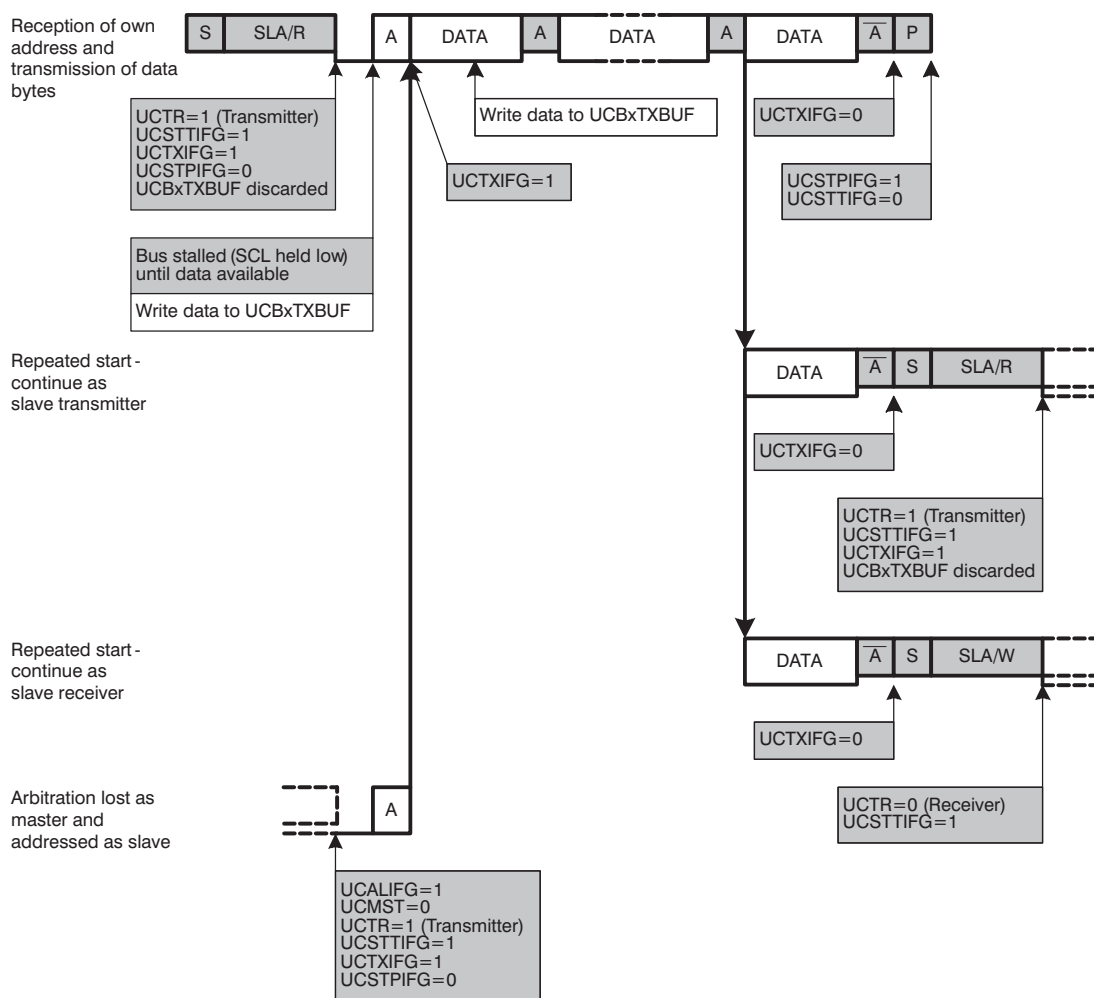


Figure 18-9. I<sup>2</sup>C Slave Transmitter Mode

## I<sup>2</sup>C Slave Receiver Mode

Slave receiver mode is entered when the slave address transmitted by the master is identical to its own address and a cleared R/W bit is received. In slave receiver mode, serial data bits received on SDA are shifted in with the clock pulses that are generated by the master device. The slave device does not generate the clock, but it can hold SCL low if intervention of the CPU is required after a byte has been received.

If the slave should receive data from the master, the USCI module is automatically configured as a receiver and UCTR is cleared. After the first data byte is received, the receive interrupt flag UCRXIFG is set. The USCI module automatically acknowledges the received data and can receive the next data byte.

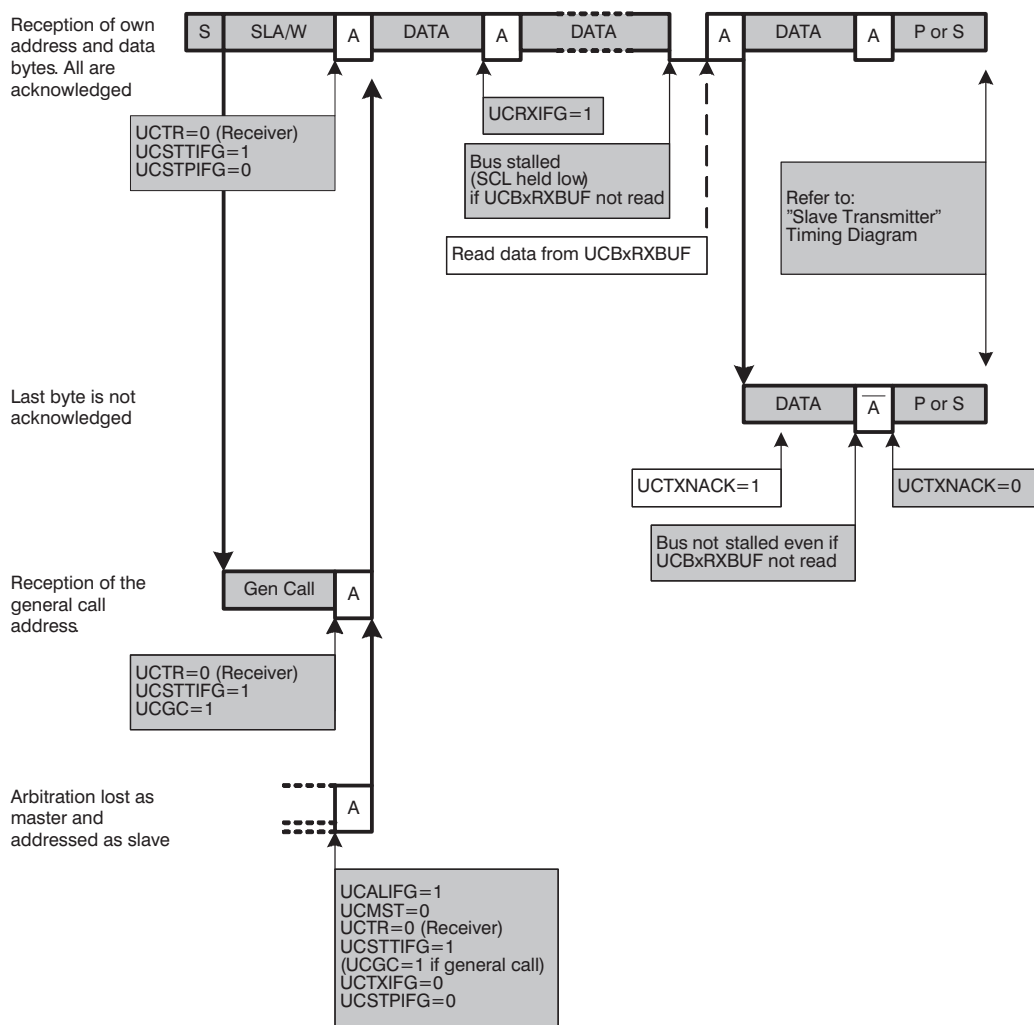
If the previous data was not read from the receive buffer UCBxRXBUF at the end of a reception, the bus is stalled by holding SCL low. As soon as UCBxRXBUF is read, the new data is transferred into UCBxRXBUF, an acknowledge is sent to the master, and the next data can be received.

Setting the UCTXNACK bit causes a NACK to be transmitted to the master during the next acknowledgment cycle. A NACK is sent even if UCBxRXBUF is not ready to receive the latest data. If the UCTXNACK bit is set while SCL is held low, the bus is released, a NACK is transmitted immediately, and UCBxRXBUF is loaded with the last received data. Because the previous data was not read, that data is lost. To avoid loss of data, the UCBxRXBUF must be read before UCTXNACK is set.

When the master generates a STOP condition, the UCSTPIFG flag is set.

If the master generates a repeated START condition, the USCI I<sup>2</sup>C state machine returns to its address reception state.

[Figure 18-10](#) shows the the I<sup>2</sup>C slave receiver operation.

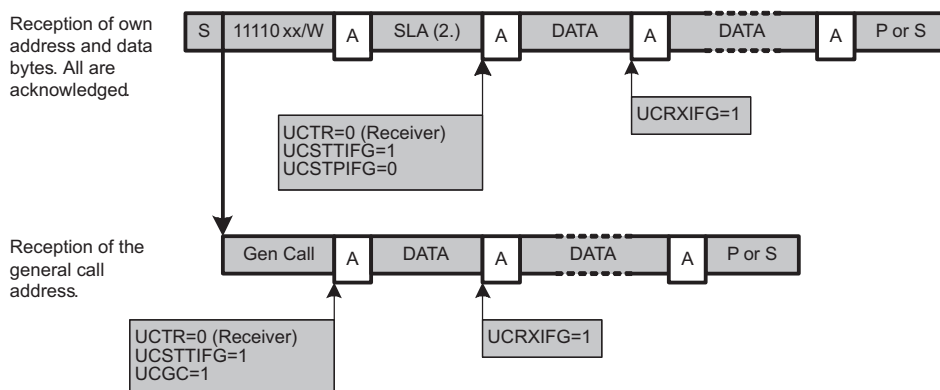


**Figure 18-10. I<sup>2</sup>C Slave Receiver Mode**

## I<sup>2</sup>C Slave 10-Bit Addressing Mode

The 10-bit addressing mode is selected when  $UCA10 = 1$  and is as shown in Figure 18-11. In 10-bit addressing mode, the slave is in receive mode after the full address is received. The USC1 module indicates this by setting the UCSTTIFG flag while the UCTR bit is cleared. To switch the slave into transmitter mode, the master sends a repeated START condition together with the first byte of the address but with the R/W bit set. This sets the UCSTTIFG flag if it was previously cleared by software, and the USC1 module switches to transmitter mode with  $UCTR = 1$ .

### Slave Receiver



### Slave Transmitter

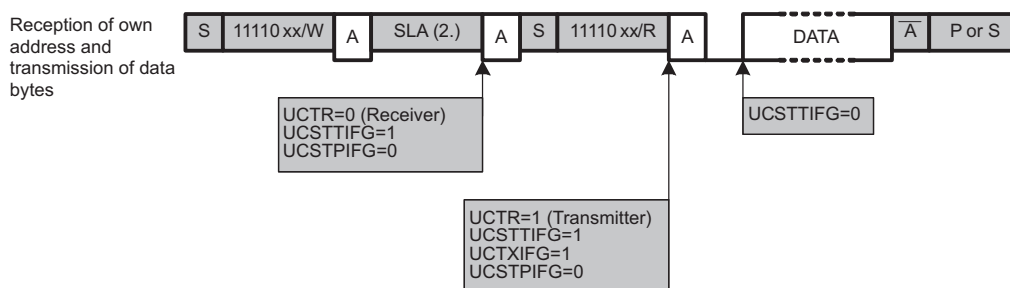


Figure 18-11. I<sup>2</sup>C Slave 10-Bit Addressing Mode

## Master Mode

The USC1 module is configured as an I<sup>2</sup>C master by selecting the I<sup>2</sup>C mode with  $UCMODEx = 11$  and  $UCSYNC = 1$  and setting the UCMST bit. When the master is part of a multi-master system, UCMEM must be set and its own address must be programmed into the UCBxI2COA register. When  $UCA10 = 0$ , 7-bit addressing is selected. When  $UCA10 = 1$ , 10-bit addressing is selected. The UCGCEN bit selects if the USC1 module responds to a general call.

## I<sup>2</sup>C Master Transmitter Mode

After initialization, master transmitter mode is initiated by writing the desired slave address to the UCBxI2CSA register, selecting the size of the slave address with the UCLSA10 bit, setting UCTR for transmitter mode, and setting UCTXSTT to generate a START condition.

The USCI module checks if the bus is available, generates the START condition, and transmits the slave address. The UCTXIFG bit is set when the START condition is generated and the first data to be transmitted can be written into UCBxTXBUF. As soon as the slave acknowledges the address, the UCTXSTT bit is cleared.

---

**Note: Handling of TXIFG in a multi-master system**

In a multi-master system (UCMM =1), if the bus is unavailable, the USCI module waits and checks for bus release. Bus unavailability can occur even after the UCTXSTT bit has been set. While waiting for the bus to become available, the USCI may update the TXIFG based on SCL clock line activity. Checking the UCTXSTT bit to verify if the START condition has been sent ensures that the TXIFG is being serviced correctly.

---

The data written into UCBxTXBUF is transmitted if arbitration is not lost during transmission of the slave address. UCTXIFG is set again as soon as the data is transferred from the buffer into the shift register. If there is no data loaded to UCBxTXBUF before the acknowledge cycle, the bus is held during the acknowledge cycle with SCL low until data is written into UCBxTXBUF. Data is transmitted or the bus is held, as long as the UCTXSTP bit or UCTXSTT bit is not set.

Setting UCTXSTP generates a STOP condition after the next acknowledge from the slave. If UCTXSTP is set during the transmission of the slave's address or while the USCI module waits for data to be written into UCBxTXBUF, a STOP condition is generated, even if no data was transmitted to the slave. When transmitting a single byte of data, the UCTXSTP bit must be set while the byte is being transmitted or anytime after transmission begins, without writing new data into UCBxTXBUF. Otherwise, only the address is transmitted. When the data is transferred from the buffer to the shift register, UCTXIFG is set, indicating data transmission has begun, and the UCTXSTP bit may be set.

Setting UCTXSTT generates a repeated START condition. In this case, UCTR may be set or cleared to configure transmitter or receiver, and a different slave address may be written into UCBxI2CSA if desired.

If the slave does not acknowledge the transmitted data, the not-acknowledge interrupt flag UCNACKIFG is set. The master must react with either a STOP condition or a repeated START condition. If data was already written into UCBxTXBUF, it is discarded. If this data should be transmitted after a repeated START, it must be written into UCBxTXBUF again. Any set UCTXSTT is also discarded. To trigger a repeated START, UCTXSTT must be set again.

Figure 18-12 shows the I<sup>2</sup>C master transmitter operation.

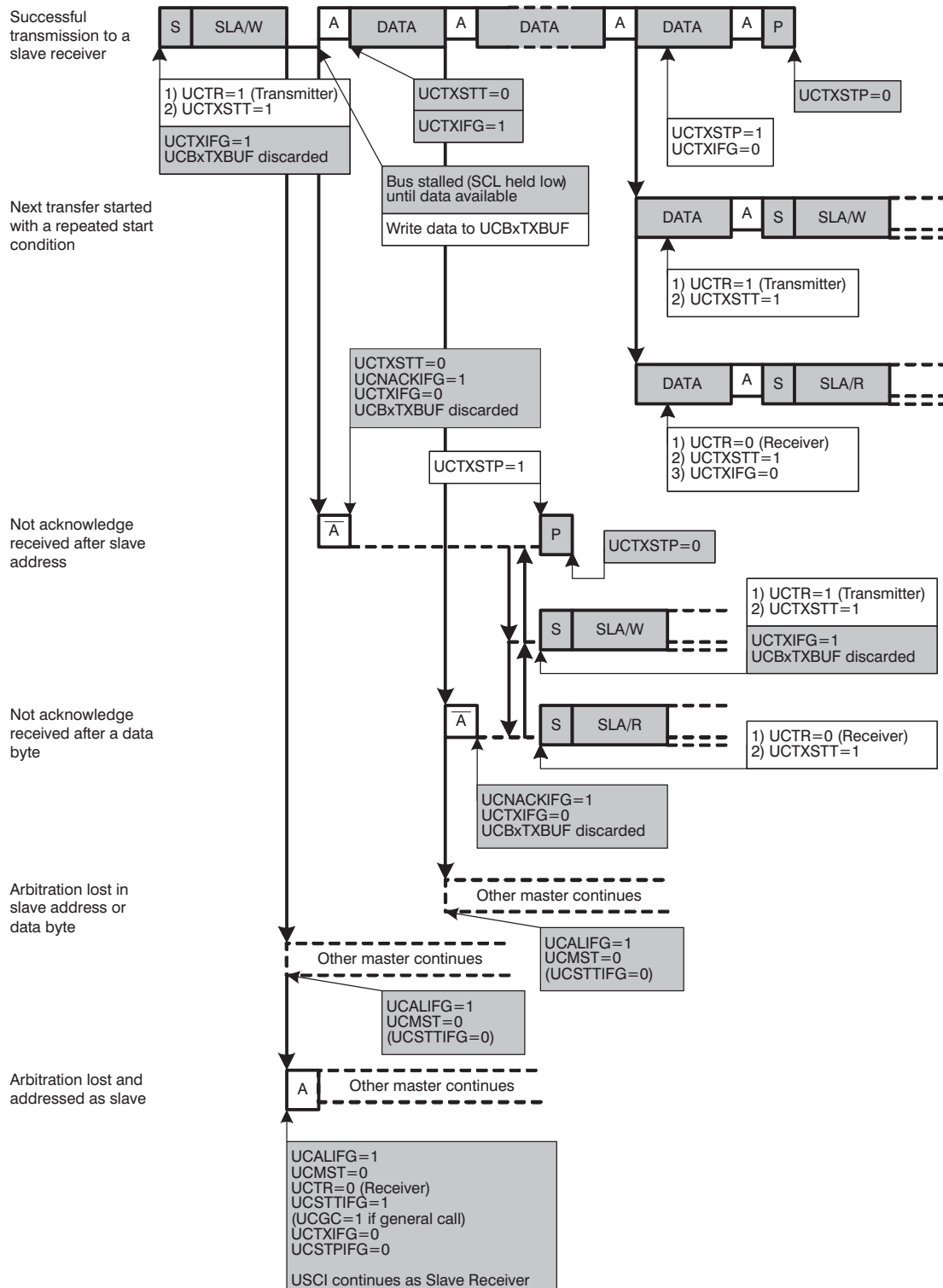


Figure 18-12. I<sup>2</sup>C Master Transmitter Mode



## I<sup>2</sup>C Master Receiver Mode

After initialization, master receiver mode is initiated by writing the desired slave address to the UCBxI2CSA register, selecting the size of the slave address with the UCSLA10 bit, clearing UCTR for receiver mode, and setting UCTXSTT to generate a START condition.

The USCI module checks if the bus is available, generates the START condition, and transmits the slave address. As soon as the slave acknowledges the address, the UCTXSTT bit is cleared.

After the acknowledge of the address from the slave, the first data byte from the slave is received and acknowledged and the UCRXIFG flag is set. Data is received from the slave, as long as UCTXSTP or UCTXSTT is not set. If UCBxRXBUF is not read, the master holds the bus during reception of the last data bit and until the UCBxRXBUF is read.

If the slave does not acknowledge the transmitted address, the not-acknowledge interrupt flag UCNACKIFG is set. The master must react with either a STOP condition or a repeated START condition.

Setting the UCTXSTP bit generates a STOP condition. After setting UCTXSTP, a NACK followed by a STOP condition is generated after reception of the data from the slave, or immediately if the USCI module is currently waiting for UCBxRXBUF to be read.

If a master wants to receive a single byte only, the UCTXSTP bit must be set while the byte is being received. For this case, the UCTXSTT may be polled to determine when it is cleared:

```

                BIS.B    #UCTXSTT, &UCB0CTL1    ;Transmit START cond.
POLL_STT      BIT.B    #UCTXSTT, &UCB0CTL1    ;Poll UCTXSTT bit
                JC      POLL_STT              ;When cleared,
                BIS.B    #UCTXSTP, &UCB0CTL1    ;transmit STOP cond.

```

Setting UCTXSTT generates a repeated START condition. In this case, UCTR may be set or cleared to configure transmitter or receiver, and a different slave address may be written into UCBxI2CSA if desired.

Figure 18-13 shows the I<sup>2</sup>C master receiver operation.

---

### Note: Consecutive master transactions without repeated START

When performing multiple consecutive I<sup>2</sup>C master transactions without the repeated START feature, the current transaction must be completed before the next one is initiated. This can be done by ensuring that the transmit STOP condition flag UCTXSTP is cleared before the next I<sup>2</sup>C transaction is initiated with setting UCTXSTT = 1. Otherwise, the current transaction might be affected.

---

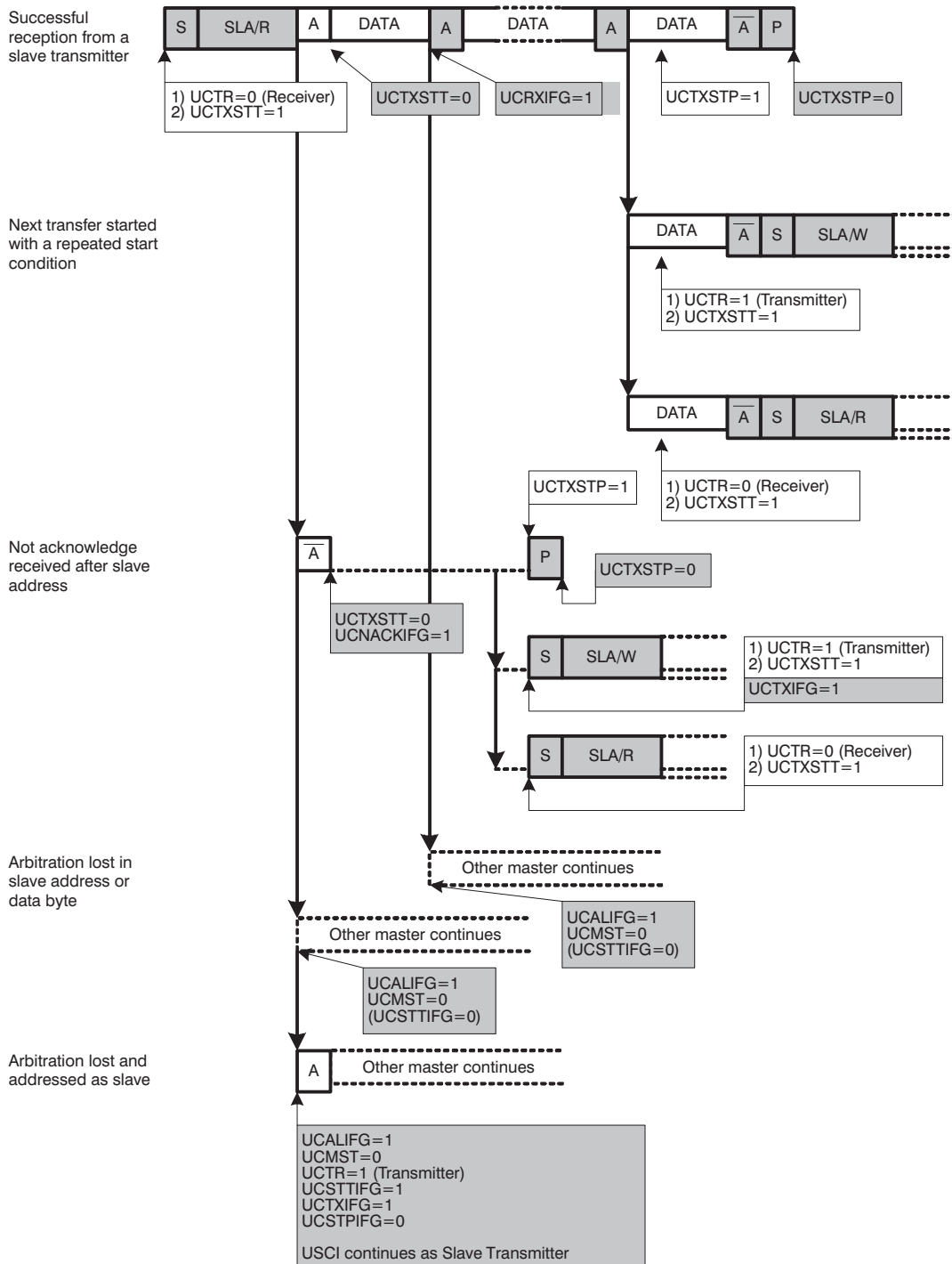
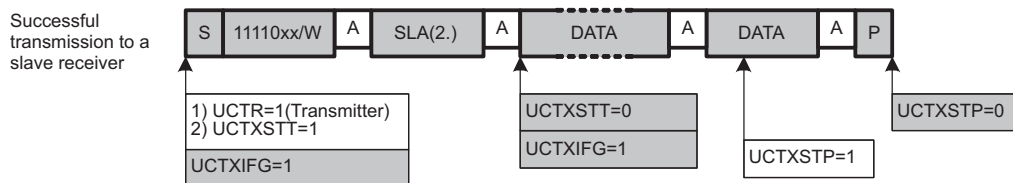


Figure 18-13. I<sup>2</sup>C Master Receiver Mode

## I<sup>2</sup>C Master 10-Bit Addressing Mode

The 10-bit addressing mode is selected when UCSLA10 = 1 and is shown in Figure 18-14.

### Master Transmitter



### Master Receiver

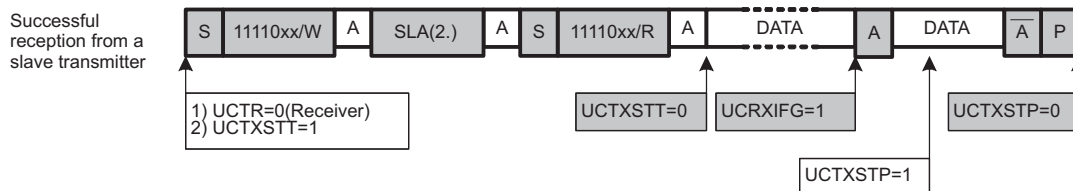
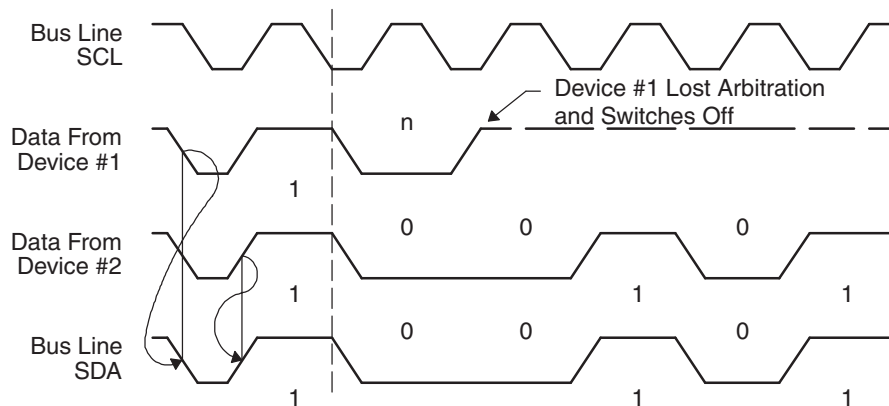


Figure 18-14. I<sup>2</sup>C Master 10-Bit Addressing Mode

## Arbitration

If two or more master transmitters simultaneously start a transmission on the bus, an arbitration procedure is invoked. Figure 18-15 shows the arbitration procedure between two devices. The arbitration procedure uses the data presented on SDA by the competing transmitters. The first master transmitter that generates a logic high is overruled by the opposing master generating a logic low. The arbitration procedure gives priority to the device that transmits the serial data stream with the lowest binary value. The master transmitter that lost arbitration switches to the slave receiver mode and sets the arbitration lost flag UCALIFG. If two or more devices send identical first bytes, arbitration continues on the subsequent bytes.



**Figure 18-15. Arbitration Procedure Between Two Master Transmitters**

If the arbitration procedure is in progress when a repeated START condition or STOP condition is transmitted on SDA, the master transmitters involved in arbitration must send the repeated START condition or STOP condition at the same position in the format frame. Arbitration is not allowed between:

- A repeated START condition and a data bit
- A STOP condition and a data bit
- A repeated START condition and a STOP condition

### 18.3.5 I<sup>2</sup>C Clock Generation and Synchronization

The I<sup>2</sup>C clock SCL is provided by the master on the I<sup>2</sup>C bus. When the USCI is in master mode, BITCLK is provided by the USCI bit clock generator and the clock source is selected with the UCSSELx bits. In slave mode, the bit clock generator is not used and the UCSSELx bits are don't care.

The 16-bit value of UCBRx in registers UCBxBR1 and UCBxBR0 is the division factor of the USCI clock source, BRCLK. The maximum bit clock that can be used in single master mode is  $f_{BRCLK}/4$ . In multi-master mode, the maximum bit clock is  $f_{BRCLK}/8$ . The BITCLK frequency is given by:

$$f_{\text{BitClock}} = f_{\text{BRCLK}} / \text{UCBRx}$$

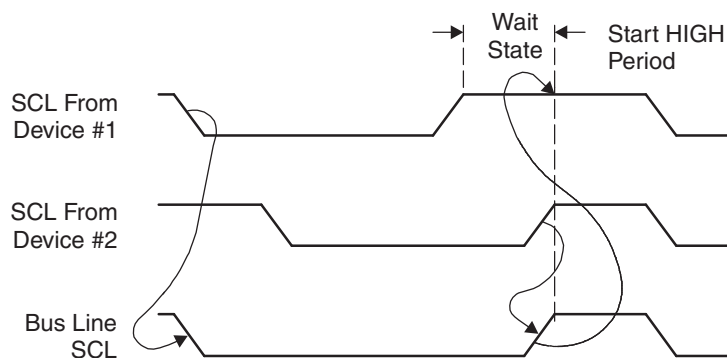
The minimum high and low periods of the generated SCL are:

$$t_{\text{LOW,MIN}} = t_{\text{HIGH,MIN}} = (\text{UCBRx}/2) / f_{\text{BRCLK}} \text{ when UCBRx is even}$$

$$t_{\text{LOW,MIN}} = t_{\text{HIGH,MIN}} = (\text{UCBRx} - 1/2) / f_{\text{BRCLK}} \text{ when UCBRx is odd}$$

The USCI clock source frequency and the prescaler setting UCBRx must to be chosen such that the minimum low and high period times of the I<sup>2</sup>C specification are met.

During the arbitration procedure the clocks from the different masters must be synchronized. A device that first generates a low period on SCL overrules the other devices, forcing them to start their own low periods. SCL is then held low by the device with the longest low period. The other devices must wait for SCL to be released before starting their high periods. [Figure 18-16](#) shows the clock synchronization. This allows a slow slave to slow down a fast master.



**Figure 18-16. Synchronization of Two I<sup>2</sup>C Clock Generators During Arbitration**

## Clock Stretching

The USCI module supports clock stretching and also makes use of this feature as described in the Operation Mode sections.

The UCSCLOW bit can be used to observe if another device pulls SCL low while the USCI module already released SCL due to the following conditions:

- USCI is acting as master and a connected slave drives SCL low.
- USCI is acting as master and another master drives SCL low during arbitration.

The UCSCLOW bit is also active if the USCI holds SCL low because it is waiting as transmitter for data being written into UCBxTXBUF or as receiver for the data being read from UCBxRXBUF.

The UCSCLOW bit might get set for a short time with each rising SCL edge because the logic observes the external SCL and compares it to the internally generated SCL.

### 18.3.6 Using the USCI Module in I<sup>2</sup>C Mode With Low-Power Modes

The USCI module provides automatic clock activation for use with low-power modes. When the USCI clock source is inactive because the device is in a low-power mode, the USCI module automatically activates it when needed, regardless of the control-bit settings for the clock source. The clock remains active until the USCI module returns to its idle condition. After the USCI module returns to the idle condition, control of the clock source reverts to the settings of its control bits.

In I<sup>2</sup>C slave mode, no internal clock source is required because the clock is provided by the external master. It is possible to operate the USCI in I<sup>2</sup>C slave mode while the device is in LPM4 and all internal clock sources are disabled. The receive or transmit interrupts can wake up the CPU from any low-power mode.

### 18.3.7 USCI Interrupts in I<sup>2</sup>C Mode

The USCI has only one interrupt vector that is shared for transmission, reception, and the state change. USCI\_Ax and USC\_Bx do not share the same interrupt vector.

Each interrupt flag has its own interrupt enable bit. When an interrupt is enabled and the GIE bit is set, the interrupt flag generates an interrupt request. DMA transfers are controlled by the UCTXIFG and UCRXIFG flags on devices with a DMA controller.

#### I<sup>2</sup>C Transmit Interrupt Operation

The UCTXIFG interrupt flag is set by the transmitter to indicate that UCBxTXBUF is ready to accept another character. An interrupt request is generated if UCTXIE and GIE are also set. UCTXIFG is automatically reset if a character is written to UCBxTXBUF or if a NACK is received. UCTXIFG is set when UCSWRST = 1 and the I<sup>2</sup>C mode is selected. UCTXIE is reset after a PUC or when UCSWRST = 1.

#### I<sup>2</sup>C Receive Interrupt Operation

The UCRXIFG interrupt flag is set when a character is received and loaded into UCBxRXBUF. An interrupt request is generated if UCRXIE and GIE are also set. UCRXIFG and UCRXIE are reset after a PUC signal or when UCSWRST = 1. UCRXIFG is automatically reset when UCxRXBUF is read.

## I<sup>2</sup>C State Change Interrupt Operation

Table 18-1 describes the I<sup>2</sup>C state change interrupt flags.

**Table 18-1. I<sup>2</sup>C State Change Interrupt Flags**

<b>Interrupt Flag</b>	<b>Interrupt Condition</b>
UCALIFG	Arbitration-lost. Arbitration can be lost when two or more transmitters start a transmission simultaneously, or when the USC <sub>I</sub> operates as master but is addressed as a slave by another master in the system. The UCALIFG flag is set when arbitration is lost. When UCALIFG is set, the UCMST bit is cleared and the I <sup>2</sup> C controller becomes a slave.
UCNACKIFG	Not-acknowledge interrupt. This flag is set when an acknowledge is expected but is not received. UCNACKIFG is automatically cleared when a START condition is received.
UCSTTIFG	START condition detected interrupt. This flag is set when the I <sup>2</sup> C module detects a START condition together with its own address while in slave mode. UCSTTIFG is used in slave mode only and is automatically cleared when a STOP condition is received.
UCSTPIFG	STOP condition detected interrupt. This flag is set when the I <sup>2</sup> C module detects a STOP condition while in slave mode. UCSTPIFG is used in slave mode only and is automatically cleared when a START condition is received.

## UCBxIV, Interrupt Vector Generator

The USCI interrupt flags are prioritized and combined to source a single interrupt vector. The interrupt vector register UCBxIV is used to determine which flag requested an interrupt. The highest-priority enabled interrupt generates a number in the UCBxIV register that can be evaluated or added to the PC to automatically enter the appropriate software routine. Disabled interrupts do not affect the UCBxIV value.

Any access, read or write, of the UCBxIV register automatically resets the highest-pending interrupt flag. If another interrupt flag is set, another interrupt is immediately generated after servicing the initial interrupt.

### UCBxIV Software Example

The following software example shows the recommended use of UCBxIV. The UCBxIV value is added to the PC to automatically jump to the appropriate routine. The example is given for USCI\_B0.

```
USCI_I2C_ISR
    ADD        &UCB0IV, PC    ; Add offset to jump table
    RETI                               ; Vector 0: No interrupt
    JMP        ALIFG_ISR      ; Vector 2: ALIFG
    JMP        NACKIFG_ISR    ; Vector 4: NACKIFG
    JMP        STTIFG_ISR     ; Vector 6: STTIFG
    JMP        STPIFG_ISR     ; Vector 8: STPIFG
    JMP        RXIFG_ISR     ; Vector 10: RXIFG
TXIFG_ISR
    ...                               ; Vector 12
    RETI                               ; Task starts here
ALIFG_ISR
    ...                               ; Return
    RETI                               ; Vector 2
NACKIFG_ISR
    ...                               ; Task starts here
    RETI                               ; Return
    RETI                               ; Vector 4
STTIFG_ISR
    ...                               ; Task starts here
    RETI                               ; Return
    RETI                               ; Vector 6
STPIFG_ISR
    ...                               ; Task starts here
    RETI                               ; Return
    RETI                               ; Vector 8
RXIFG_ISR
    ...                               ; Task starts here
    RETI                               ; Return
    RETI                               ; Vector 10
    RETI                               ; Task starts here
    RETI                               ; Return
```



## 18.4 USCI Registers– I<sup>2</sup>C Mode

The USCI registers applicable in I<sup>2</sup>C mode are listed in [Table 18-2](#). The base address can be found in the device-specific data sheet. The address offsets are listed in [Table 18-2](#).

**Table 18-2. USCI\_Bx Registers**

Register	Short Form	Register Type	Register Access	Address Offset	Initial State
USCI_Bx Control Word 0	UCBxCTLW0	Read/write	Word	00h	0101h
USCI_Bx Control 1	UCBxCTL1	Read/write	Byte	00h	01h
USCI_Bx Control 0	UCBxCTL0	Read/write	Byte	01h	01h
USCI_Bx Bit Rate Control Word	UCBxBRW	Read/write	Word	06h	0000h
USCI_Bx Bit Rate Control 0	UCBxBR0	Read/write	Byte	06h	00h
USCI_Bx Bit Rate Control 1	UCBxBR1	Read/write	Byte	07h	00h
USCI_Bx Status	UCBxSTAT	Read/write	Byte	0Ah	00h
Reserved - reads zero		Read	Byte	0Bh	00h
USCI_Bx Receive Buffer	UCBxRXBUF	Read/write	Byte	0Ch	00h
Reserved - reads zero		Read	Byte	0Dh	00h
USCI_Bx Transmit Buffer	UCBxTXBUF	Read/write	Byte	0Eh	00h
Reserved - reads zero		Read	Byte	0Fh	00h
USCI_Bx I <sup>2</sup> C Own Address	UCBxI2COA	Read/write	Word	10h	0000h
USCI_Bx I <sup>2</sup> C Slave Address	UCBxI2CSA	Read/write	Word	12h	0000h
USCI_Bx Interrupt Control	UCBxICTL	Read/write	Word	1Ch	0200h
USCI_Bx Interrupt Enable	UCBxIE	Read/write	Byte	1Ch	00h
USCI_Bx Interrupt Flag	UCBxIFG	Read/write	Byte	1Dh	02h
USCI_Bx Interrupt Vector	UCBxIV	Read	Word	1Eh	0000h

**USCI\_Bx Control Register 0 (UCBxCTL0)**

7	6	5	4	3	2	1	0
<b>UCA10</b>	<b>UCSLA10</b>	<b>UCMM</b>	<b>Unused</b>	<b>UCMST</b>	<b>UCMODEx=11</b>		<b>UCSYNC=1</b>
R/W-0 rw-0	rw-0	rw-0	rw-0	rw-0	rw-0	rw-0	r-1
<b>UCA10</b>	Bit 7	Own addressing mode select 0 Own address is a 7-bit address. 1 Own address is a 10-bit address.					
<b>UCSLA10</b>	Bit 6	Slave addressing mode select 0 Address slave with 7-bit address 1 Address slave with 10-bit address					
<b>UCMM</b>	Bit 5	Multi-master environment select 0 Single master environment. There is no other master in the system. The address compare unit is disabled. 1 Multi-master environment					
<b>Unused</b>	Bit 4	Unused					
<b>UCMST</b>	Bit 3	Master mode select. When a master loses arbitration in a multi-master environment (UCMM = 1), the UCMST bit is automatically cleared and the module acts as slave. 0 Slave mode 1 Master mode					
<b>UCMODEx</b>	Bits 2-1	USCI mode. The UCMODEx bits select the synchronous mode when UCSYNC = 1. 00 3-pin SPI 01 4-pin SPI (master/slave enabled if STE = 1) 10 4-pin SPI (master/slave enabled if STE = 0) 11 I <sup>2</sup> C mode					
<b>UCSYNC</b>	Bit 0	Synchronous mode enable 0 Asynchronous mode 1 Synchronous mode					

**USCI\_Bx Control Register 1 (UCBxCTL1)**

7	6	5	4	3	2	1	0
<b>UCSSELx</b>		<b>Unused</b>	<b>UCTR</b>	<b>UCTXNACK</b>	<b>UCTXSTP</b>	<b>UCTXSTT</b>	<b>UCSWRST</b>
rw-0	rw-0	r0	rw-0	rw-0	rw-0	rw-0	rw-1

<b>UCSSELx</b>	Bits 7-6	USCI clock source select. These bits select the BRCLK source clock. 00 UCLKI 01 ACLK 10 SMCLK 11 SMCLK
<b>Unused</b>	Bit 5	Unused
<b>UCTR</b>	Bit 4	Transmitter/receiver 0 Receiver 1 Transmitter
<b>UCTXNACK</b>	Bit 3	Transmit a NACK. UCTXNACK is automatically cleared after a NACK is transmitted. 0 Acknowledge normally 1 Generate NACK
<b>UCTXSTP</b>	Bit 2	Transmit STOP condition in master mode. Ignored in slave mode. In master receiver mode, the STOP condition is preceded by a NACK. UCTXSTP is automatically cleared after STOP is generated. 0 No STOP generated 1 Generate STOP
<b>UCTXSTT</b>	Bit 1	Transmit START condition in master mode. Ignored in slave mode. In master receiver mode, a repeated START condition is preceded by a NACK. UCTXSTT is automatically cleared after START condition and address information is transmitted. Ignored in slave mode. 0 Do not generate START condition 1 Generate START condition
<b>UCSWRST</b>	Bit 0	Software reset enable 0 Disabled. USCI reset released for operation. 1 Enabled. USCI logic held in reset state.

**USCI\_Bx Baud Rate Control Register 0 (UCBxBR0)**

7	6	5	4	3	2	1	0
<b>UCBRx - low byte</b>							
rw	rw	rw	rw	rw	rw	rw	rw

**USCI\_Bx Baud Rate Control Register 1 (UCBxBR1)**

7	6	5	4	3	2	1	0
<b>UCBRx - high byte</b>							
rw	rw	rw	rw	rw	rw	rw	rw

<b>UCBRx</b>	Bits 7-0	Bit clock prescaler. The 16-bit value of (UCxxBR0 + UCxxBR1 × 256) forms the prescaler value UCBRx.
--------------	----------	---

**USCI\_Bx Status Register (UCBxSTAT)**

7	6	5	4	3	2	1	0
<b>Unused</b>	<b>UCSCLLOW</b>	<b>UCGC</b>	<b>UCBBUSY</b>	<b>Unused</b>			
rw-0	r-0	rw-0	r-0	r0	r0	r0	r0

<b>Unused</b>	Bit 7	Unused
<b>UCSCLLOW</b>	Bit 6	SCL low 0 SCL is not held low. 1 SCL is held low.
<b>UCGC</b>	Bit 5	General call address received. UCGC is automatically cleared when a START condition is received. 0 No general call address received 1 General call address received
<b>UCBBUSY</b>	Bit 4	Bus busy 0 Bus inactive 1 Bus busy
<b>Unused</b>	Bits 3-0	Unused

**USCI\_Bx Receive Buffer Register (UCBxRXBUF)**

7	6	5	4	3	2	1	0
<b>UCRXBUFx</b>							
r	r	r	r	r	r	r	r

<b>UCRXBUFx</b>	Bits 7-0	The receive-data buffer is user accessible and contains the last received character from the receive shift register. Reading UCBxRXBUF resets UCRXIFG.
-----------------	----------	--

**USCI\_Bx Transmit Buffer Register (UCBxTXBUF)**

7	6	5	4	3	2	1	0
<b>UCTXBUFx</b>							
rw	rw	rw	rw	rw	rw	rw	rw

<b>UCTXBUFx</b>	Bits 7-0	The transmit data buffer is user accessible and holds the data waiting to be moved into the transmit shift register and transmitted. Writing to the transmit data buffer clears UCTXIFG.
-----------------	----------	--

**USCIBx I<sup>2</sup>C Own Address Register (UCBxI2COA)**

15	14	13	12	11	10	9	8
<b>UCGCEN</b>	<b>0</b>	<b>0</b>	<b>0</b>	<b>0</b>	<b>0</b>	<b>I2COAx</b>	
rw-0	r0	r0	r0	r0	r0	rw-0	rw-0
7	6	5	4	3	2	1	0
<b>I2COAx</b>							
rw-0	rw-0	rw-0	rw-0	rw-0	rw-0	rw-0	rw-0

<b>UCGCEN</b>	Bit 15	General call response enable 0 Do not respond to a general call 1 Respond to a general call
<b>I2COAx</b>	Bits 9-0	I <sup>2</sup> C own address. The I2COAx bits contain the local address of the USCIBx I <sup>2</sup> C controller. The address is right justified. In 7-bit addressing mode, bit 6 is the MSB and bits 9-7 are ignored. In 10-bit addressing mode, bit 9 is the MSB.

**USCI\_Bx I<sup>2</sup>C Slave Address Register (UCBxI2CSA)**

15	14	13	12	11	10	9	8
<b>0</b>	<b>0</b>	<b>0</b>	<b>0</b>	<b>0</b>	<b>0</b>	<b>I2CSAx</b>	
r0	r0	r0	r0	r0	r0	rw-0	rw-0
7	6	5	4	3	2	1	0
<b>I2CSAx</b>							
rw-0	rw-0	rw-0	rw-0	rw-0	rw-0	rw-0	rw-0

<b>I2CSAx</b>	Bits 9-0	I <sup>2</sup> C slave address. The I2CSAx bits contain the slave address of the external device to be addressed by the USCIBx module. It is only used in master mode. The address is right justified. In 7-bit slave addressing mode, bit 6 is the MSB and bits 9-7 are ignored. In 10-bit slave addressing mode, bit 9 is the MSB.
---------------	----------	--

**USCI\_Bx I<sup>2</sup>C Interrupt Enable Register (UCBxIE)**

7	6	5	4	3	2	1	0
<b>Reserved</b>		<b>UCNACKIE</b>	<b>UCALIE</b>	<b>UCSTPIE</b>	<b>UCSTTIE</b>	<b>UCTXIE</b>	<b>UCRXIE</b>
r-0	r-0	rw-0	rw-0	rw-0	rw-0	rw-0	rw-0

<b>Reserved</b>	Bits 7-6	Reserved
<b>UCNACKIE</b>	Bit 5	Not-acknowledge interrupt enable 0 Interrupt disabled 1 Interrupt enabled
<b>UCALIE</b>	Bit 4	Arbitration lost interrupt enable 0 Interrupt disabled 1 Interrupt enabled
<b>UCSTPIE</b>	Bit 3	STOP condition interrupt enable 0 Interrupt disabled 1 Interrupt enabled
<b>UCSTTIE</b>	Bit 2	START condition interrupt enable 0 Interrupt disabled 1 Interrupt enabled
<b>UCTXIE</b>	Bit 1	Transmit interrupt enable 0 Interrupt disabled 1 Interrupt enabled
<b>UCRXIE</b>	Bit 0	Receive interrupt enable 0 Interrupt disabled 1 Interrupt enabled

**USCI\_Bx I<sup>2</sup>C Interrupt Flag Register (UCBxIFG)**

7	6	5	4	3	2	1	0
<b>Reserved</b>		<b>UCNACKIFG</b>	<b>UCALIFG</b>	<b>UCSTPIFG</b>	<b>UCSTTIFG</b>	<b>UCTXIFG</b>	<b>UCRXIFG</b>
r-0	r-0	rw-0	rw-0	rw-0	rw-0	rw-1	rw-0

<b>Reserved</b>	Bits 7-6	Reserved
<b>UCNACKIFG</b>	Bit 5	Not-acknowledge received interrupt flag. UCNACKIFG is automatically cleared when a START condition is received. 0 No interrupt pending 1 Interrupt pending
<b>UCALIFG</b>	Bit 4	Arbitration lost interrupt flag 0 No interrupt pending 1 Interrupt pending
<b>UCSTPIFG</b>	Bit 3	STOP condition interrupt flag. UCSTPIFG is automatically cleared when a START condition is received. 0 No interrupt pending 1 Interrupt pending
<b>UCSTTIFG</b>	Bit 2	START condition interrupt flag. UCSTTIFG is automatically cleared if a STOP condition is received. 0 No interrupt pending 1 Interrupt pending
<b>UCTXIFG</b>	Bit 1	USCI transmit interrupt flag. UCTXIFG is set when UCBxTXBUF is empty. 0 No interrupt pending 1 Interrupt pending
<b>UCRXIFG</b>	Bit 0	USCI receive interrupt flag. UCRXIFG is set when UCBxRXBUF has received a complete character. 0 No interrupt pending 1 Interrupt pending

**USCI\_Bx Interrupt Vector Register (UCBxIV)**

15	14	13	12	11	10	9	8
<b>0</b>	<b>0</b>	<b>0</b>	<b>0</b>	<b>0</b>	<b>0</b>	<b>0</b>	<b>0</b>
r0	r0	r0	r0	r0	r0	r0	r0
7	6	5	4	3	2	1	0
<b>0</b>	<b>0</b>	<b>0</b>	<b>0</b>	<b>UCIVx</b>			<b>0</b>
r0	r0	r0	r0	r-0	r-0	r-0	r0

**UCIVx**

Bits 15-0

USCI interrupt vector value

<b>UCBxIV Contents</b>	<b>Interrupt Source</b>	<b>Interrupt Flag</b>	<b>Interrupt Priority</b>
000h	No interrupt pending	–	
002h	Arbitration lost	UCALIFG	Highest
004h	Not acknowledgement	UCNACKIFG	
006h	Start condition received	UCSTTIFG	
008h	Stop condition received	UCSTPIFG	
00Ah	Data received	UCRXIFG	
00Ch	Transmit buffer empty	UCTXIFG	Lowest







## CC1101-Based Radio Module (RF1A)

---

---

---

This chapter describes the RF1A module for frequencies below 1 GHz, which is based on the stand-alone radio device CC1101.

Topic	Page
19.1 Radio Module Introduction .....	482
19.2 Radio Interface Operation.....	483
19.3 CC1101-Based Radio Core .....	493
19.4 Radio Interface Registers .....	545

## 19.1 Radio Module Introduction

The RF1A radio module integrates the sub-1-GHz radio core of the CC1101 into the MSP430 system.

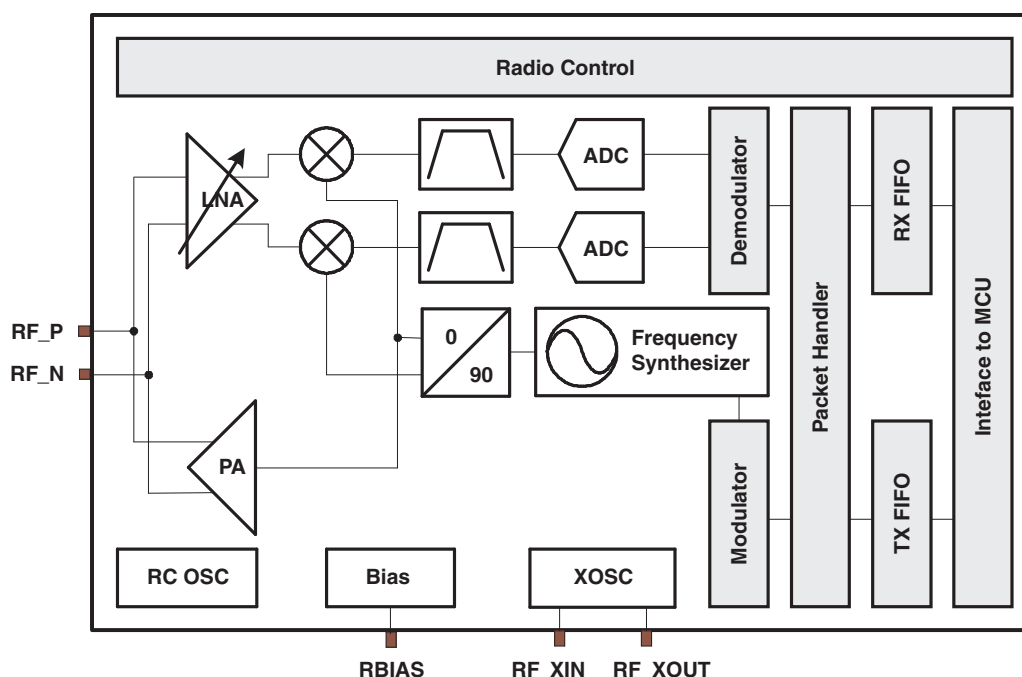
The CC1101-based radio core features a low intermediate frequency (IF) receiver. The received radio frequency (RF) signal is amplified by the low-noise amplifier (LNA) and down-converted in quadrature (I and Q) to the IF. At IF, the in-phase/quadrature-phase (I/Q) signals are digitized by the ADCs. Automatic gain control (AGC), fine channel filtering, and demodulation bit/packet synchronization is performed digitally.

The transmitter part is based on direct synthesis of the RF frequency. The frequency synthesizer includes a completely on-chip LC voltage controlled oscillator (VCO) and a 90° phase shifter for generating the I and Q local oscillator (LO) signals to the down-conversion mixers in receive mode. A crystal oscillator with a 26-MHz crystal generates the reference frequency for the synthesizer and clocks for the ADC and the digital part. The digital baseband includes support for channel configuration, packet handling, and data buffering.

The features of the CC1101-based radio module are:

- Frequency bands: 300 MHz to 348 MHz, 389 MHz to 464 MHz, and 779 MHz to 928 MHz
- Programmable data rate from 0.8 kBaud to 500 kBaud
- High sensitivity (-110 dBm at 1.2 kBaud, 868 MHz, 1% packet error rate)
- Excellent receiver selectivity and blocking performance
- Programmable output power up to 10 dBm for all supported frequencies
- 2-FSK, 2-GFSK, and MSK supported as well as OOK and flexible ASK shaping
- Flexible support for packet oriented systems: On-chip support for sync word detection, address check, flexible packet length, and automatic CRC handling
- Support for automatic clear channel assessment (CCA) before transmitting (for listen-before-talk systems)
- Digital received signal strength indicator (RSSI) output
- Suited for systems targeting compliance with EN 300 220 (Europe) and FCC CFR Part 15 (US)

A simplified block diagram of the RF1A radio module based on the CC1101 is shown in [Figure 19-1](#).



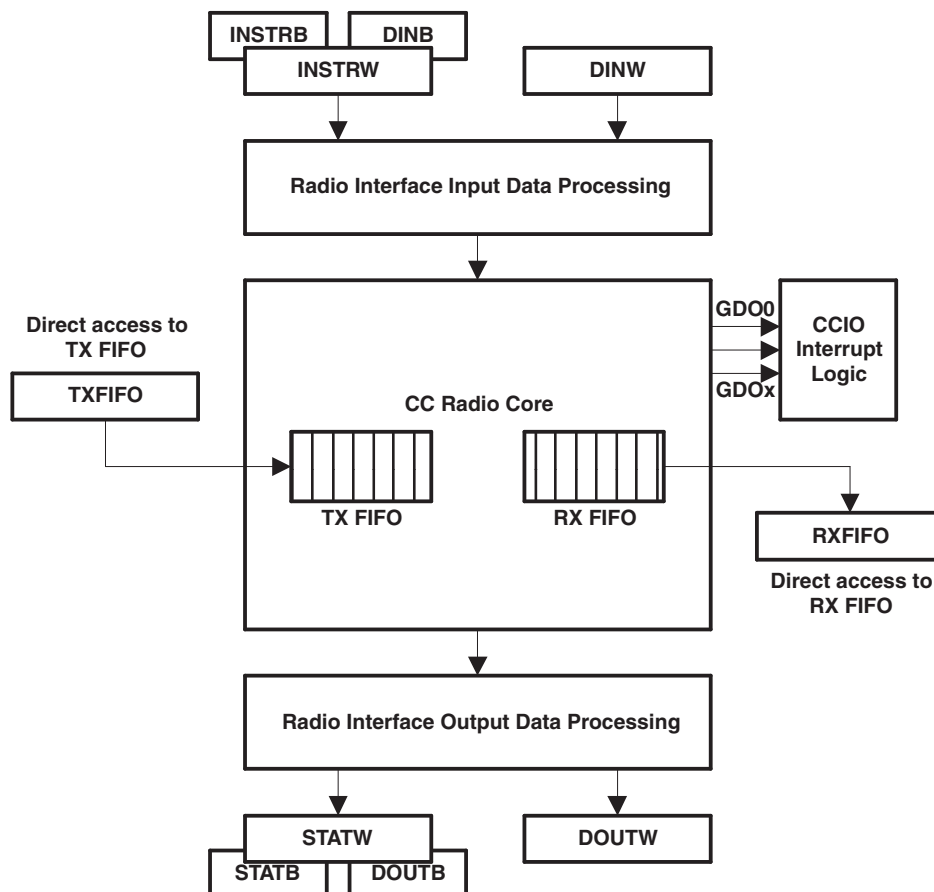
**Figure 19-1. Simplified Block Diagram of the CC1101-Based Radio Module**

## 19.2 Radio Interface Operation

The radio core is configured with user software via the radio interface. The radio interface is discussed in the following sections. [Section 19.3](#) describes the radio core and its operation in detail.

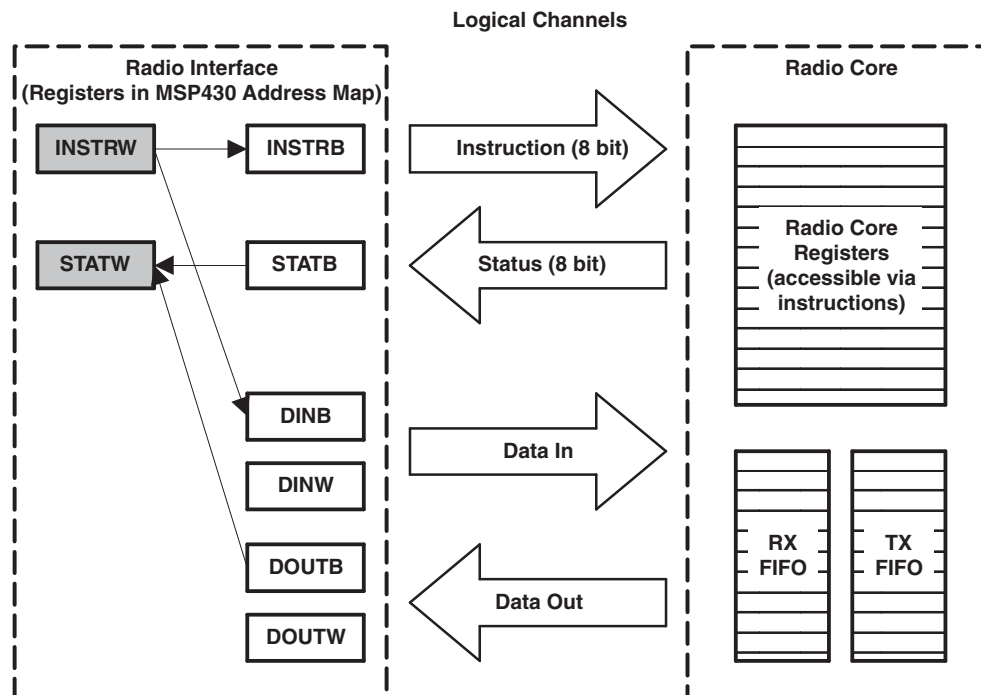
### 19.2.1 Radio Interface

[Figure 19-2](#) gives an overview of the radio interface and its interfaces to the radio core.



**Figure 19-2. Radio Interface Overview**

The communication between the radio interface and the radio core takes place via the logical channels shown in [Figure 19-3](#). Every instruction presented to the core results in a status update sent to the interface, and every data byte sent to the radio core results in a data byte transmitted back to the interface. Depending on the instruction, some data in either direction can be "dummy" or "don't care" data. To avoid "dummy" writes, an auto-read feature is implemented.



**Figure 19-3. Logical Channels Between Radio Interface and Radio Core**

### Instruction and Status Register

The radio core is controlled using instructions written into the RF1AINSTRxW or RF1AINSTRxB registers. Additional data can be provided via the RF1ADINB or RF1ADINW registers (referred to as RF1ADIN registers in the following description). Resulting data can be read from RF1ADOUTxB or RF1ADOUTxW registers (referred to as RF1ADOUT registers in the following description). With each write access to the instruction registers, the radio core status is updated and can be read via the RF1ASTATxB or RF1ASTATxW registers (referred to as RF1ASTAT registers in the following description).

Using the RF1AINSTRW register allows the application to provide the instruction together with the first data byte. Any further parameters need to be written into the RF1ADIN registers.

RF1AINSTRB can be used for single-byte instructions (like command strobes) and for all other instructions when all the required parameters are provided separately via the RF1ADIN registers.

The radio core status is updated with each transfer between the radio interface and the core. It can always be read via the byte status register RF1ASTATB.

The RF1ASTATW register can be used in conjunction with the word instruction register RF1AINSTRW. This provides the radio core status updated with the last instruction together with first data byte returned from the radio. If the instruction was written into the byte instruction register RF1AINSTRB reading RF1ASTATW causes an output data error, and the OUTERR flag is set.

The SNOP command strobe can be used to get an updated status without causing further actions.

An instruction is ended by either providing the complete instruction including all required data bytes (for instruction requiring a finite number of bytes) or by writing a new instruction into the instruction register. If an instruction requiring a given (and finite) number of bytes is aborted by writing a new instruction, the operand error flag OPERR is set. The aborted instruction might be partially executed already, causing an unpredictable state of the radio core.

## Data Registers

Parameters can be passed to the radio core using the word data register RF1ADINW or the byte data register RF1ADINB when the radio core is ready to accept additional data. This is indicated with RFDINIFG = 1. If the radio core is not ready to accept additional data and data is written into one of the RF1ADIN registers, the CPU is stalled for a given number of cycles or until the previous data is processed. If the error condition still remains after the given number of clock cycles, the OPOVERR flag is set and the written data is ignored.

The OPERR flag is set if the instruction does not expect more data, i.e. too many operands are provided. The excess operands are ignored.

Using the word data register RF1ADINW, word parameters can be passed to radio core registers using little-endian numbers (the default representation in MSP430 devices) even when the radio core expects big-endian numbers.

When writing words with RFENDIAN = 0, little-endian numbers are converted to the representation required by the radio core, whereas with RFENDIAN = 1, the data is passed unchanged and in the original order (starting at the lowest address first) to the radio core.

The CC1101-based radio core expects big-endian numbers. Here RFENDIAN = 1 might be used to ease the porting of code from a two-chip RF solution. RFENDIAN = 1 should also be used if transmit or receive data and the power amplifier table data is passed to the radio core using RF1ADINW.

A 16-bit word is passed to the radio core by writing the word into RF1ADINW.

A byte is passed to the radio core by writing it into RF1ADINB. A byte access to the low byte of the RF1ADINW register behaves identical to accessing RF1ADINB.

---

### Note: Number of Bytes

Care must be taken that the exact number of bytes required by the radio core is passed. For example, if only one byte is provided, do not use the 16-bit word access. If the radio core expects a given number of bytes and this number is exceeded, the operand error flag OPERR is set. In this case, any excess data is ignored.

---

Data can be read from the radio core using the word data register RF1ADOUTW or the byte data register RF1ADOUTB. Using these registers, the same amount of data that should be read needs to be written to the RF1ADIN registers before reading the RF1ADOUT registers (even though the written data might be ignored by the radio core). Otherwise the OUTERR flag is set. Also, if the radio core is still processing the instruction and has not provided any data yet, the OUTERR flag is set.

For word reads, the endianness of the data can be selected with RFENDIAN, similar to the process described previously.

A 16-bit word is read from the radio core by reading it from RF1ADOUTW.

A byte is read from the radio core by reading it from RF1ADOUTB. A byte access to the low byte of the RF1ADOUTW register behaves identical to accessing RF1ADOUTB.

---

### Note: Number of Bytes

Care needs to be taken that the exact number of bytes provided by the radio core is read. For example, if only one byte is provided, do not use the 16-bit word access, because the OUTERR flag would be set.

---

---

**Auto-Read**

If the parameters provided to the radio core are don't care (for example, if the registers are only read) the auto-read feature can be used to avoid providing dummy data via the RF1ADIN registers.

To auto-read the next byte, the registers RF1AINSTR1B, RF1ASTAT1W, RF1ASTAT1B, RF1ADOUT1B, and RF1ADOUT1W can be used instead of the registers RF1AINSTRB, RF1ASTATW, RF1ASTATB, RF1ADOUTB, and RF1ADOUTW. Using these registers allows reading of the next byte without having to do a dummy write to RF1ADINB.

To auto-read the next two bytes (i.e., one word) the registers RF1AINSTR2B, RF1AINSTR2W, RF1ASTAT2B, RF1ASTAT2W, RF1ADOUT2B, and RF1ADOUT2W can be used instead of the registers RF1AINSTRB, RF1AINSTRW, RF1ASTATB, RF1ASTATW, RF1ADOUTB, and RF1ADOUTW. Using these registers allows reading the next word (or the next two bytes) without having to do a dummy write to RF1ADINW.

**Table 19-1. One-Byte Auto-Read Registers**

Register	Auto-Read Register	Example C-Code Without Auto-Read	Example C-Code With Auto-Read
RF1AINSTRB	RF1AINSTR1B	RF1AINSTRB = instr; RF1ADINB = 0; //dummy write byte_dat = RF1ADOUTB;	RF1AINSTR1B = instr; // No dummy write! byte_dat = RF1ADOUTB;
RF1AINSTRW	RF1AINSTR1W	RF1AINSTRW = instr<<8; <sup>(1)</sup> // No dummy write byte_dat = RF1ADOUTB;	RF1AINSTR1W = instr<<8; // No dummy write! byte_dat = RF1ADOUTB;
RF1ASTATB	RF1ASTAT1B	rf_stat = RF1ASTATB; RF1ADINB = 0; //dummy write byte_dat = RF1ADOUTB;	rf_stat = RF1ASTAT1B; // No dummy write! byte_dat = RF1ADOUTB;
RF1ASTATW	RF1ASTAT1W	rf_stat_dat = RF1ASTATW; RF1ADINB = 0; //dummy write byte_dat = RF1ADOUTB;	rf_stat_dat = RF1ASTAT1W; // No dummy write! byte_dat = RF1ADOUTB;
RF1ADOUTB	RF1ADOUT1B	first_byte = RF1ADOUTB; RF1ADINB = 0; //dummy write byte_dat = RF1ADOUTB;	first_byte = RF1ADOUT1B; // No dummy write! byte_dat = RF1ADOUTB;
RF1ADOUTW	RF1ADOUT1B	first_word = RF1ADOUTW; RF1ADINB = 0; //dummy write byte_dat = RF1ADOUTB;	first_word = RF1ADOUT1W; // No dummy write! byte_dat = RF1ADOUTB;

<sup>(1)</sup> No dummy byte write is required, because one dummy byte is already written with RF1AINSTRW.

**Table 19-2. Two-Byte/One-Word Auto-Read Registers**

Register	Auto-Read Register	Example C-Code Without Auto-Read	Example C-Code With Auto-Read
RF1AINSTRB	RF1AINSTR2B	RF1AINSTRB = instr; RF1ADINW = 0; //dummy write word_dat = RF1ADOUTW;	RF1AINSTR2B = instr; // No dummy write! word_dat = RF1ADOUTW;
RF1AINSTRW	RF1AINSTR2W	RF1AINSTRW = instr<<8; <sup>(1)</sup> RF1ADINB = 0; //dummy write word_dat = RF1ADOUTW;	RF1AINSTR2W = instr<<8; // No dummy write! word_dat = RF1ADOUTW;
RF1ASTATB	RF1ASTAT2B	rf_stat = RF1ASTATB; RF1ADINW = 0; //dummy write word_dat = RF1ADOUTW;	rf_stat = RF1ASTAT2B; // No dummy write! word_dat = RF1ADOUTW;
RF1ASTATW	RF1ASTAT2W	rf_stat_dat = RF1ASTATW; RF1ADINW = 0; //dummy write word_dat = RF1ADOUTW;	rf_stat_dat = RF1ASTAT2W; // No dummy write! word_dat = RF1ADOUTW;
RF1ADOUTB	RF1ADOUT2B	first_byte = RF1ADOUTB; RF1ADINW = 0; //dummy write word_dat = RF1ADOUTW;	first_byte = RF1ADOUT2B; // No dummy write! word_dat = RF1ADOUTW;
RF1ADOUTW	RF1ADOUT2B	first_word = RF1ADOUTW; RF1ADINW = 0; //dummy write word_dat = RF1ADOUTW;	first_word = RF1ADOUT2W; // No dummy write! word_dat = RF1ADOUTW;

<sup>(1)</sup> Only one dummy *byte* write is required, because one dummy byte is already written with RF1AINSTRW.

### Delayed Write/Read

If a read or write access from the CPU to one of the radio interface registers would cause an error condition, the CPU is stalled for up to four CPU clock cycles or until the error condition is resolved. If the four CPU clock cycles expire without the error condition being resolved, the read or write access is executed to avoid possible deadlock situations. This causes the corresponding error flag to be set.

## Error Flags

Table 19-3 lists the interface error conditions and its flags. There is also a error vector generator register, RF1AERRV, that allows decoding the error condition using the same mechanisms as with the interrupt vector word registers. Any read access of the RF1AERRV register automatically resets the highest pending error flag. If another error flag is set, the RFERRIFG interrupt flag remains set, and another interrupt is immediately generated after servicing the initial interrupt. A write access to the RF1AERRV register automatically resets all error flags. In addition, all error flags can be cleared via software.

The flags are provided to easy software debugging. Ideally a production ready software should never see any radio interface errors.

**Table 19-3. Radio Interface Error Conditions**

Error Condition	Error Flag	Description
Operand error	OPERR	Not enough or too many operands were provided for an instruction. If not enough operands were provided, the instruction was aborted by writing a new instruction before all required operands were passed to the radio core. The aborted instruction might already be partially executed, causing an unpredictable state of the radio core. If too many operands were provided, the excess operands are ignored.
Output data not available error	OUTERR	Not enough data available for the executed read access.
Operand overwrite error	OPOVERR	Attempt to overwrite operands in RF1ADIN registers that are still being processed by the radio core. Written data is ignored.
Low-voltage error	LVERR	Attempt to activate the radio core (go to a state other than SLEEP and IDLE) with a core voltage level PMMCOREVx = 00b or 01b. The transition from IDLE to the next state is prevented until PMMCOREVx ≥ 10b and the LVERR flag is cleared by software. The command that triggered the LVERR to be set is ignored and must be retransmitted to the radio core after the error condition is resolved, i.e., after the core voltage level setting is increased to PMMCOREVx ≥ 10b and after ensuring that the voltage reached the desired level.

## Examples

```
// OPERR - not enough operands
RF1AINSTRB = SNGLREGWR+0x00; // Write radio core register IOCFG2, expects 1 byte
RF1AINSTRB = SNOP;           // Error!
//=> OPERR flag set,
// no operand provided for previous instruction

// OPERR - too many operands
RF1AINSTRB = SNGLREGWR+0x00; // Write radio core register IOCFG2, expects 1 byte
RF1ADINB = 0x00;             // Okay.
RF1ADINB = 0x01;             // Error!
//=> OPERR flag set,
// only 1 byte expected for SNGLREGWR instruction,
// data ignored

// OPOVERR
RF1AINSTRB = REGWR+0x00; // Write radio core registers starting with IOCFG2
RF1ADINB = 0x00;
RF1ADINB = 0x01;
//=> OPOVERR flag set and data ignored,
// if synchronization of data between the interface and the core takes too long

// OUTERR
RF1AINSTRB = REGRD+0x00; // Read radio core registers starting with IOCFG2
data= RF1ADOUTB;         // Error!
//=> OUTERR flag set, because dummy data write is missing
```



### 19.2.2 Radio Interface Interrupts

The radio interface provides a number of interrupt flags to control the data-flow between the radio core and the CPU. The interrupt flags are listed in [Table 19-4](#).

**Table 19-4. Radio Interface Interrupt Flags**

Interrupt Flag	Interrupt Condition
RFRXIFG	The direct access to the receive and transmit FIFOs is enabled (RFFIFOEN = 1), and data is available in the RX FIFO. Reading the RF1ARXFIFO clears the flag; if more data is available, it is set again automatically.
RFTXIFG	The direct access to the receive and transmit FIFOs is enabled (RFFIFOEN = 1), and data can be written into the TX FIFO. Writing to RF1ATXFIFO clears the flag; if more data can be accepted, it is set again automatically.
RFINSTRIFG	The radio core is ready to accept the next instruction; i.e., the previous instruction was completely processed and all required data was provided.
RFDINIFG	The radio core is ready to accept additional data.
RFSTATIFG	The radio core updated the status accessible via the RF1ASTAT registers. If the instruction was provided as a word via RF1AINSTRW, the flag is set after the first data byte is also available.
RFDOUTIFG	Data was provided by the radio core and can be read via the RF1ADOUT registers. If the corresponding parameters were provided as 16-bit data, the flag is set only after 16-bit data is available. With the auto-read feature, the flag is set after the selected amount of data is available. With each read access of the RF1ADOUT registers, the flag is cleared; if there is still data available after the read access, the RFDOUTIFG is set again.
RFERRIFG	An error occurred interfacing to the radio core. The error condition can be encoded using the error flags. The error interrupt flag is set as long as one of the error flags (OPERR, OUTERR, OPOVERR, or LVERR) is set. It is cleared automatically when all error flags are cleared.

### 19.2.3 Radio Core Interrupts

The radio core provides interrupt signals to the radio interface. There are three programmable output signals GDO0, GDO1, and GDO2 that can also be routed to pins as well as hardwired output signals going into the interrupt logic.

For each interrupt signal there is an associated interrupt flag RFIFG<sub>x</sub> together with an interrupt enable RFIE<sub>x</sub>, an interrupt edge select RFIES<sub>x</sub>, and an input bit RFIN<sub>x</sub>. The input bit RFIN<sub>x</sub> allows to query the actual status of a signal, the interrupt edge select bit RFIES<sub>x</sub> allows to trigger an interrupt on the positive (RFIES = 0) or on the negative (RFIES = 1) edge of the associated signal and RFIE<sub>x</sub> enables the associated RFIFG<sub>x</sub> to cause an interrupt.

---

**Note: Changing RFIES**

Changing RFIES bits can result in setting the corresponding RFIFG interrupt flags.

---

The radio core interrupt flags are prioritized and combined to source a single interrupt vector together with the radio interface interrupts. The interrupt vector register RF1AIV is used to determine which radio core interrupt flag requested an interrupt. The highest priority enabled interrupt generates a number in the RF1AIV register that can be evaluated or added to the program counter to automatically enter the appropriate software routine. Disabled interrupts do not affect the RF1AIV value.

Any read access of the RF1AIV register automatically resets the highest pending interrupt flag. If another interrupt flag is set, another interrupt is generated immediately after servicing the initial interrupt. A write access to the RF1AIV register automatically resets all pending interrupt flags.

[Table 19-5](#) lists the available CC1101 radio core interrupt sources and the associated flags. It also lists for the hardwired interrupt sources what event causes a low-to-high transition and what causes a high-to-low transition.

**Table 19-5. CC1101 Radio Core Interrupt Mapping**

Interrupt Flag	Interrupt Condition
RFIFG0	Programmable using IOCFG0 (0x02) register of radio core.
RFIFG1	Programmable using IOCFG1 (0x01) register of radio core.
RFIFG2	Programmable using IOCFG2 (0x00) register of radio core.
RFIFG3	Positive edge: RX FIFO filled or above the RX FIFO threshold. Negative edge: RX FIFO drained below RX FIFO threshold. (Equal to GDOx_CFG=0)
RFIFG4	Positive edge: RX FIFO filled or above the RX FIFO threshold or end of packet is reached. Negative edge: RX FIFO empty. (Equal to GDOx_CFG=1)
RFIFG5	Positive edge: TX FIFO filled or above the TX FIFO threshold. Negative edge: TX FIFO below TX FIFO threshold. (Equal to GDOx_CFG=2)
RFIFG6	Positive edge: TX FIFO full. Negative edge: TX FIFO below TX FIFO threshold. (Equal to GDOx_CFG=3)
RFIFG7	Positive edge: RX FIFO overflowed. Negative edge: RX FIFO flushed. (Equal to GDOx_CFG=4)
RFIFG8	Positive edge: TX FIFO underflowed. Negative edge: TX FIFO flushed. (Equal to GDOx_CFG=5)
RFIFG9	Positive edge: Sync word sent or received. Negative edge: End of packet or in RX when optional address check fails or RX FIFO overflows or in TX when TX FIFO underflows. (Equal to GDOx_CFG=6)
RFIFG10	Positive edge: Packet received with CRC OK. Negative edge: First byte read from RX FIFO. (Equal to GDOx_CFG=7)
RFIFG11	Positive edge: Preamble quality reached (PQI) is above programmed PQT value. Negative edge: (LPW) (Equal to GDOx_CFG=8)
RFIFG12	Positive edge: Clear channel assessment when RSSI level is below threshold (dependent on the current CCA_MODE setting). Negative edge: RSSI level is above threshold. (Equal to GDOx_CFG=9)
RFIFG13	Positive edge: Carrier sense. RSSI level is above threshold. Negative edge: RSSI level is below threshold. (Equal to GDOx_CFG=14)
RFIFG14	Positive edge: WOR event 0 Negative edge: WOR event 0 + 1 ACLK. (Equal to GDOx_CFG=36)
RFIFG15	Positive edge: WOR event 1 Negative edge: RF oscillator stable or next WOR event0 triggered. (Equal to GDOx_CFG=37)

### 19.2.4 Radio Interrupt Handling

The radio module has one entry in the device's interrupt vector table and two interrupt vector word registers RF1AIFIV and RF1AIV that are used to determine which interface interrupt flag or radio core interrupt flag requested an interrupt.

The highest priority enabled interface or core interrupt generates a number in the RF1AIFIV or RF1AIV registers (see register description). This number can be evaluated or added to the program counter to automatically enter the appropriate software routine. Disabled interrupts do not affect the RF1AIFIV and RF1AIV values.

Any read access of the RF1AIFIV register automatically resets the highest pending radio interface interrupt flag. If another interrupt flag is set, another interrupt is immediately generated after servicing the initial interrupt. A write access to the RF1AIFIV register automatically resets all pending radio interface interrupt flags. In addition, all flags can be cleared via software.

Any read access of the RF1AIV register automatically resets the highest pending radio core interrupt flag. If another interrupt flag is set, another interrupt is immediately generated after servicing the initial interrupt. A write access to the RF1AIV register automatically resets all pending radio core interrupt flags. In addition, all flags can be cleared via software.

## RF1AIFIV and RF1AIV Software Example

The following software example shows the recommended use of RF1AIFIV, RF1AIV, and the handling overhead. The RF1AIFIV or RF1AIV values are added to the PC to automatically jump to the appropriate routine. The software can define the priority of the interface interrupts versus the priority of the core interrupts by ordering the access to the interrupt vector word registers accordingly.

The numbers at the right margin show the necessary CPU cycles for each instruction. The software overhead for different interrupt sources includes interrupt latency and return-from-interrupt cycles, but not the task handling itself.

```

; Interrupt handler for radio interrupt flags.
; Radio interface interrupts have higher priority

RADIO_HND                                ; Interrupt latency                6
                                           ; Radio Interface Interrupts
ADD      &RF1AIFIV,PC                    ; Add offset to Jump table        3
JMP      RF_CORE_HND                     ; Vector 0: No I/F interrupt      2
JMP      ..._HND                         ; Vector 2: ...                   2
JMP      ..._HND                         ; Vector 4: ...                   2
...                                           ; ...
JMP      ..._HND                         ; Vector 12: ...                  2
                                           ; Vector 14: ...
...                                           ; Task starts here
RETI                                        5

..._HND                                ; Vector xyz: ...
...                                           ; Task starts here
RETI                                        5

RF_CORE_HND                             ; Radio Core Interrupts
ADD      &RF1AIV,PC                      ; Add offset to Jump table        3
RETI                                           ; Vector 0: No interrupt          5
JMP      ..._HND                         ; Vector 2: ...                   2
JMP      ..._HND                         ; Vector 4: ...                   2
...                                           ; ...
JMP      ..._HND                         ; Vector 30: ...                  2
                                           ; Vector 32: ...
...                                           ; Task starts here
RETI                                        5

..._HND                                ; Vector xyz: ...
...                                           ; Task starts here
RETI                                        5

; Interrupt handler for radio interrupt flags.
; Radio core interrupts have higher priority

RADIO_HND                                ; Interrupt latency                6
                                           ; Radio Core Interrupts
ADD      &RF1AIV,PC                      ; Add offset to Jump table        3
JMP      RF_IF_HND                       ; Vector 0: No Core interr.      2
JMP      ..._HND                         ; Vector 2: ...                   2
JMP      ..._HND                         ; Vector 4: ...                   2
...                                           ; ...
JMP      ..._HND                         ; Vector 30: ...                  2
                                           ; Vector 32: ...
...                                           ; Task starts here
RETI                                        5

..._HND                                ; Vector xyz: ...
...                                           ; Task starts here

```

```

                RETI                                     5

RF_IF_HND
                ADD      &RF1AIFIV,PC ; Radio Interface Interrupts      3
                RETI     ; Add offset to Jump table
                JMP      ..._HND      ; Vector 0: No interrupt          5
                JMP      ..._HND      ; Vector 2: ...                    2
                JMP      ..._HND      ; Vector 4: ...                    2
                ...      ; ...
                JMP      ..._HND      ; Vector 12: ...                   2
                ...      ; Vector 14: ...
                ...      ; Task starts here
                RETI                                     5

..._HND
                ...      ; Vector xyz: ...
                ...      ; Task starts here
                RETI                                     5

```

### 19.2.5 Using Radio With the DMA Controller

The radio interface supports DMA access to the receive and transmit FIFOs with RFFIFOEN = 1.

To transmit data with RFFIFOEN = 1 a DMA transfer is triggered when the RFTXIFG flag is set. RFTXIFG is automatically reset when the RF1ATXFIFO register is written during the DMA transfer. If RFTXIE is set, the RFTXIFG flag does not trigger a transfer.

To receive data with RFFIFOEN = 1 a DMA transfer is triggered when the RFRXIFG flag is set. RFRXIFG is automatically reset when the RF1ARXFIFO register is read during the DMA transfer. If RFRXIE is set, the RFRXIFG flag does not trigger a transfer.

When RFFIFIO = 0 the interrupt flags RFDINIFG and RFDOUTIFG can be used to trigger DMA transfers. The RFRXIFG together with RFDOUTIFG and RFTXIFG together with RFDINIFG share the same trigger signals to the DMA.

To write data to the radio core with RFFIFOEN = 0 a DMA transfer is triggered when the RFDINIFG flag is set. RFDINIFG is automatically reset when a RF1ADIN register is written during the DMA transfer. If RFDINIE is set, the RFDINIFG flag does not trigger a transfer.

## 19.3 CC1101-Based Radio Core

### 19.3.1 Differences From CC1101

The radio core differs from the CC1101 device:

- Forward error correction (FEC) and interleaving are not supported.
- After a reset (PUC) the radio is in SLEEP state instead of IDLE.
- Strobe command SRES resets the radio and sets the state machine to SLEEP instead of IDLE.
- Strobe command SXOFF causes the radio core to transition into the SLEEP state instead of the XOFF state.
- ACLK is clock source for the WOR timer, not the integrated CC1101 R/C oscillator.
- Instructions can be executed while the radio core is in SLEEP state.
- Support of synchronous and asynchronous operation via Timer\_A (see the device-specific data sheet). The input is taken from Timer\_A (as specified in the data sheet) except GDO0\_CFG is set to 0x2D. If GDO1\_CFG or GDO2\_CFG is set to 0x2D, the signal indicates, when 0, that GDO0 is configured as input (when GDO0\_CFG = 0x2D) or that serial TX data is taken from the Timer\_A (when GDO0\_CFG is not 0x2D); i.e., same functionality as on CC1101 for GDO1 and GDO2.
- The register 0x30 PARTNUM - CHIP ID reads as 0 (0x00).  
The register 0x31 VERSION - CHIP ID reads as 6 (0x06).
- The RC\_PD bit in register 0x20 WORCTRL is used as a ACLK\_PD bit. Set to 1, the ACLK input to the WOR timer is disabled (ACLK is not requested). Reset to 0, the ACLK input to the WOR timer is enabled (ACLK is requested). The SWOR strobe automatically clears this bit and enables the WOR timer.
- The default settings for WORCTRL (now: 0xF8), WOREVT0 (now: 0x00) and WOREVT1 (now: 0x80) changed due to the changed frequency used for the WOR timer (32kHz vs. 26MHz/750 or 27MHz/750).
- The following signals are added to the GDOx multiplexers:
  - 30 (0x1E): RSSI\_VALID
  - 31 (0x1F): RX\_TIMEOUT
- In register 0x18 MCSM0, bits 2 and 3 (used as PO\_TIMEOUT in CC1101) are reserved; i.e., "r0".
- The PA\_PD and LNA\_PD signals fed to the GDOx multiplexers behave as intended: PA\_PD is low only in TX states, LNA\_PD is low only in RX states. Otherwise, the signals are 1 (even in SLEEP state).
- The SFTX or SFRX command strobes can be issued in SLEEP state, in addition to IDLE, TXFIFO\_UNDERFLOW, and RXFIFO\_OVERFLOW. The FIFOs are not automatically flushed when going to SLEEP state. This allows putting the radio into sleep state and reading previously received data from the RX FIFO or preparing the data in the TX FIFO for the next transmission.
- In register 0x01 IOCFG1 bit 7, GDO\_DS is reserved; i.e., "r0".
- Registers 0x27 RCCTRL1 and 0x28 RCCTRL0 are reserved; i.e., "r0".
- The default setting for IOCFG0.GDO0\_CFGx changed from 0x3F (RFCLK/192) to 0x2E (3-state).

### 19.3.2 Instruction Set for CC1101-Based Radio Core

Table 19-6 and Table 19-7 list the available instructions to communicate with the CC1101-based radio core. Table 19-6 lists the available command strobes, and Table 19-7 lists all other available instructions. The following nomenclature is used:

- i:[.....] gives the value that needs to be written into the radio interface instruction register.
- s:[.....] is the value that is returned in the radio interface status register after the instruction was transferred to the radio core.
- A i:[.....] in the "Inputs" column always corresponds with a s:[.....] in the "Outputs" column.
- [ssss ssss] is the status byte as described in Table 19-8.
- d:[.....] in the "Inputs" column is a byte value written into one of the RFA1DIN registers.
- d:[.....] in the "Outputs" column is a byte value that can be read via the RFA1DOUT registers.
- A d:[.....] in the "Inputs" column always corresponds with a d:[.....] in the "Outputs" column.
- [---- ----] is "don't care" data.

**Table 19-6. CC1101-Based Radio Core Instruction Set – Command Strobes**

Instruction Mnemonic	Inputs	Outputs	Description
SRES	i:[x011 0000]	n/a	Command strobe: reset radio core Nothing returned. Accordingly STATIFG is not set.
SFSTXON	i:[x011 0001]	s:[ssss ssss]	Command strobe: enable and calibrate frequency synthesizer (if MCSM0.FS_AUTOCAL = 1). If in RX (with CCA), go to a wait state where only the synthesizer is running (for quick RX/TX turnaround). Returns status byte with bytes available in TX FIFO when x=0 and with bytes available in RX FIFO when x=1.
SXOFF	i:[x011 0010]	s:[ssss ssss]	Command strobe: radio core to enter SLEEP state Returns status byte with bytes available in TX FIFO when x=0 and with bytes available in RX FIFO when x=1.
SCAL	i:[x011 0011]	s:[ssss ssss]	Command strobe: calibrate frequency synthesizer and turn it off. SCAL can be strobed from IDLE mode without setting manual calibration mode (MCSM0.FS_AUTOCAL = 0). Returns status byte with bytes available in TX FIFO when x=0 and with bytes available in RX FIFO when x=1.
SRX	i:[x011 0100]	s:[ssss ssss]	Command strobe: enable RX. Perform calibration first if coming from IDLE and MCSM0.FS_AUTOCAL = 1. If in RX state and CCA is enabled, only go to TX if channel is clear. Returns status byte with bytes available in TX FIFO when x=0 and with bytes available in RX FIFO when x=1.
STX	i:[x011 0101]	s:[ssss ssss]	Command strobe: enable TX if in IDLE state and perform calibration first if MCSM0.FS_AUTOCAL = 1. Returns status byte with bytes available in TX FIFO when x=0 and with bytes available in RX FIFO when x=1.
SIDLE	i:[x011 0110]	s:[ssss ssss]	Command strobe: exit RX/TX, turn off frequency synthesizer, and exit WOR mode, if applicable. Returns status byte with bytes available in TX FIFO when x=0 and with bytes available in RX FIFO when x=1.
SWOR	i:[x011 1000]	s:[ssss ssss]	Command strobe: start automatic RX polling sequence (Wake-on-Radio, WOR) as described in <a href="#">Section 19.3.9.3</a> . Returns status byte with bytes available in TX FIFO when x=0 and with bytes available in RX FIFO when x=1.
SPWD	i:[x011 1001]	s:[ssss ssss]	Command strobe: radio core to enter SLEEP state Returns status byte with bytes available in TX FIFO when x=0 and with bytes available in RX FIFO when x=1.
SFRX	i:[x011 1010]	s:[ssss ssss]	Command strobe: flush the RX FIFO buffer. Only issue SFRX in IDLE or RXFIFO_OVERFLOW states. Returns status byte with bytes available in TX FIFO when x=0 and with bytes available in RX FIFO when x=1.
SFTX	i:[x011 1011]	s:[ssss ssss]	Command strobe: flush the TX FIFO buffer. Only issue SFTX in IDLE or TXFIFO_UNDERFLOW states. Returns status byte with bytes available in TX FIFO when x=0 and with bytes available in RX FIFO when x=1.
SWORRST	i:[x011 1100]	s:[ssss ssss]	Command strobe: reset WOR timer to Event1 value. Returns status byte with bytes available in TX FIFO when x=0 and with bytes available in RX FIFO when x=1.
SNOP	i:[x011 1101]	s:[ssss ssss]	Command strobe: no operation. Can be used to read the radio core status byte (see <a href="#">Section 19.3.2.1</a> ). Returns status byte with bytes available in TX FIFO when x=0 and with bytes available in RX FIFO when x=1.

**Table 19-7. CC1101-Based Radio Core Instruction Set**

Instruction Mnemonic	Inputs	Outputs	Description
SNGLREGRD	i:[10aa aaaa] d:[---- ----]	s:[ssss ssss] d:[dddd dddd]	Read register at address [a] with $a \leq 0x2E$ . Returns status [s] and content of register [d]. Status contains bytes available in RX FIFO.
SNGLREGWR	i:[00aa aaaa] d:[dddd dddd]	s:[ssss ssss] d:[ssss ssss]	Write data [d] into register at address [a] with $a \leq 0x2E$ . Returns status [s]. Status contains bytes available in TX FIFO.
REGRD	i:[11aa aaaa] d:[---- ----] ...	s:[ssss ssss] d:[dddd dddd] ...	Read registers starting at address [a] with $a \leq 0x2E$ . Returns status [s] and content of registers [d]. Status contains bytes available in RX FIFO.
REGWR	i:[01aa aaaa] d:[dddd dddd] ...	s:[ssss ssss] d:[ssss ssss] ...	Write data [d] into registers starting at address [a] with $a \leq 0x2E$ . Returns status [s]. Status contains bytes available in TX FIFO.
STATREGRD	i:[11aa aaaa] d:[---- ----]	s:[ssss ssss] d:[dddd dddd]	Read single radio core status register. Returns status [s] and content of radio core status register [a] with $0x30 \leq a \leq 0x3D$ . Status contains bytes available in RX FIFO.
SNGLPATABRD	i:[1011 1110] d:[---- ----]	s:[ssss ssss] d:[dddd dddd]	Read single byte from table with power amplifier settings. Returns status [s] and one byte of PA table [d]. Status contains bytes available in RX FIFO.
SNGLPATABWR	i:[0011 1110] d:[dddd dddd]	s:[ssss ssss] d:[ssss ssss]	Write single byte [d] into table with power amplifier settings. Returns status [s]. Status contains bytes available in TX FIFO.
PATABRD	i:[1111 1110] d:[---- ----] ...	s:[ssss ssss] d:[dddd dddd] ...	Read table with power amplifier settings. Returns status [s] and content of table [d]. Status contains bytes available in RX FIFO.
PATABWR	i:[0111 1110] d:[dddd dddd] ...	s:[ssss ssss] d:[ssss ssss] ...	Write table with power amplifier settings with data [d]. Returns status [s]. Status contains bytes available in TX FIFO.
SNGLRXRD	i:[1011 1111] d:[---- ----]	s:[ssss ssss] d:[dddd dddd]	Read single byte from receive FIFO. Returns status [s] and received byte [d]. Status contains bytes available in RX FIFO.
SNGLTXWR	i:[0011 1111] d:[dddd dddd]	s:[ssss ssss] d:[ssss ssss]	Write single byte [d] into transmit FIFO. Returns status [s]. Status contains bytes available in TX FIFO.
RXFIFORD	i:[1111 1111] d:[---- ----] ...	s:[ssss ssss] d:[dddd dddd] ...	Read data from receive FIFO. Returns status [s] and received bytes [d]. Status contains bytes available in RX FIFO.
TXFIFOWR	i:[0111 1111] d:[dddd dddd] ...	s:[ssss ssss] d:[ssss ssss] ...	Write data bytes [d] into transmit FIFO. Returns status [s]. Status contains bytes available in TX FIFO.

**Status Byte**

With each instruction sent to the radio core, the status is updated and can be read back using the RF1ASTAT registers. [Table 19-8](#) summarizes the information available in the status byte.



**Table 19-8. Radio Core Status Byte Summary**

7	6	5	4	3	2	1	0
<b>RF_RDYn</b>	<b>RF_STATEx</b>			<b>FIFO_BYTES_AVAILx</b>			
<b>RF_RDYn</b>	Bit 7	Radio core ready					
		0 Radio core is ready. Crystal oscillator has stabilized.					
		1 Radio core is not ready. Crystal oscillator not stable.					
<b>RF_STATEx</b>	Bits 6-4	State of the radio core main state machine.					
		000	IDLE	Idle state. Also reported for some transitional states.			
		001	RX	Receive mode			
		010	TX	Transmit mode			
		011	FSTXON	Fast TX ready			
		100	CALIBRATE	Frequency synthesizer calibration is running.			
		101	SETTLING	PLL is settling.			
		110	RXFIFO_OV	RX FIFO overflow			
		111	TXFIFO_OV	TX FIFO overflow			
<b>FIFO_BYTES_AVAILx</b>	Bits 3-0	Number of bytes available in the RX FIFO or TX FIFO.					
		Depending on the MSB of the instruction, these bits indicate either the number of bytes available for read from the RX FIFO (MSB = 1) or the number of bytes that can be written to the TX FIFO (MSB = 0). When FIFO_BYTES_AVAILx = 1111, then 15 or more bytes are available or free.					

### Power Amplifier Table Access

The power amplifier table PATABLE is an 8-byte table that defines the PA control settings to be used for each of the eight PA power values (selected by the PA\_POWERx bits in radio core register FRENDO). The table is written and read from the lowest setting (0) to the highest (7), one byte at a time. An index counter is used to control the access to the table. This counter is incremented each time a byte is read or written to the table using one of the instructions SINGLPATABRD, SINGLPATABWR, PATABRD, and PATABWR. When the highest value is reached the counter wraps around to zero. The counter is reset when any other instruction than a power table instruction is written into the RF1AINSTR register.

### 19.3.3 Data Rate Programming

The data rate used when transmitting, or the data rate expected in receive, is programmed by the MDMCFG3.DRATE\_M and the MDMCFG4.DRATE\_E configuration registers. The data rate is given by Equation 19-1. As the formula shows, the programmed data rate depends on the crystal frequency.

$$R_{DATA} = \frac{(256 + DRATE\_M) \times 2^{DRATE\_E}}{2^{28}} \times f_{XOSC} \quad (19-1)$$

Equation 19-2 can be used to find suitable values for a given data rate:

$$DRATE\_E = \left\lceil \log_2 \left( \frac{R_{DATA} \times 2^{20}}{f_{XOSC}} \right) \right\rceil$$

$$DRATE\_M = \frac{R_{DATA} \times 2^{28}}{f_{XOSC} \times 2^{DRATE\_E}} - 256 \quad (19-2)$$

If DRATE\_M is rounded to the nearest integer and becomes 256, increment DRATE\_E and use DRATE\_M = 0.

The data rate can be set from 0.8 kBaud to 500 kBaud with the minimum step as shown in Table 19-9.

**Table 19-9. Data Rate Step Size**

DATA RATE (kBaud)			DATA RATE STEP SIZE (kBaud)
MINIMUM	TYPICAL	MAXIMUM	
0.8	1.2 / 2.4	3.17	0.0062
3.17	4.8	6.35	0.0124
6.35	9.6	12.7	0.0248
12.7	19.6	25.4	0.0496
25.4	38.4	50.8	0.0992
50.8	76.8	101.6	0.1984
101.6	153.6	203.1	0.3967
203.1	250	406.3	0.7935

### 19.3.4 Receiver Channel Filter Bandwidth

To meet different channel width requirements, the receiver channel filter is programmable. The MDMCFG4.CHANBW\_E and MDMCFG4.CHANBW\_M configuration registers control the receiver channel filter bandwidth, which scales with the crystal oscillator frequency. Equation 19-3 gives the relation between the register settings and the channel filter bandwidth.

$$BW_{\text{channel}} = \frac{f_{\text{xosc}}}{8 \times (4 + \text{CHANBW\_M}) \times 2^{\text{CHANBW\_E}}} \quad (19-3)$$

Table 19-10 lists the supported channel filter bandwidths.

**Table 19-10. Channel Filter Bandwidths (kHz) (Assuming a 26-MHz Crystal)**

MDMCFG4. CHANBW_M	MDMCFG4.CHANBW_E			
	00	01	10	11
00	812	406	203	102
01	650	325	162	81
10	541	270	135	68
11	464	232	116	58

For best performance, the channel filter bandwidth should be selected so that the signal bandwidth occupies at most 80% of the channel filter bandwidth. The channel center tolerance due to crystal inaccuracy should also be subtracted from the channel filter bandwidth, as shown in the following example.

With the channel filter bandwidth set to 500 kHz, the signal should stay within 80% of 500 kHz, which is 400 kHz. Assuming 915-MHz frequency and  $\pm 20$ -ppm frequency uncertainty for both the transmitting device and the receiving device, the total frequency uncertainty is  $\pm 40$  ppm of 915 MHz, which is  $\pm 37$  kHz. If the whole transmitted signal bandwidth is to be received within 400 kHz, the transmitted signal bandwidth should be maximum 400 kHz – ( $2 \times 37$  kHz), which is 326 kHz.

By compensating for a frequency offset between the transmitter and the receiver, the filter bandwidth can be reduced and the sensitivity can be improved, see more in *DN005 - CC11xx Sensitivity versus Frequency Offset and Crystal Accuracy* (SWRA122) and in [Section 19.3.5.1](#).

### 19.3.5 Demodulator, Symbol Synchronizer, and Data Decision

The radio core contains an advanced and highly configurable demodulator. Channel filtering and frequency offset compensation are performed digitally. To generate the RSSI level (see [Section 19.3.8.3](#) for more information) the signal level in the channel is estimated. Data filtering is also included for enhanced performance.

## Frequency Offset Compensation

The CC1101-based radio has a very fine frequency resolution (refer to the frequency synthesizer characteristics in the device-specific data sheet). This feature can be used to compensate for frequency offset and drift.

When using 2-FSK, 2-GFSK, or MSK modulation, the demodulator compensates for the offset between the transmitter and receiver frequency, within certain limits, by estimating the centre of the received data. The frequency offset compensation configuration is controlled from the FOCCFG register. By compensating for a large frequency offset between the transmitter and the receiver, the sensitivity can be improved as shown in *DN005 - CC11xx Sensitivity versus Frequency Offset and Crystal Accuracy* (SWRA122).

The tracking range of the algorithm is selectable as fractions of the channel bandwidth with the FOCCFG.FOC\_LIMIT configuration register.

If the FOCCFG.FOC\_BS\_CS\_GATE bit is set, the offset compensator freezes until carrier sense asserts. This may be useful when the radio is in RX for long periods with no traffic, because the algorithm may drift to the boundaries when trying to track noise.

The tracking loop has two gain factors, which affect the settling time and noise sensitivity of the algorithm. FOCCFG.FOC\_PRE\_K sets the gain before the sync word is detected, and FOCCFG.FOC\_POST\_K selects the gain after the sync word has been found.

---

**Note:** Frequency offset compensation is not supported for ASK or OOK modulation.

---

The estimated frequency offset value is available in the FREQUEST status register. This can be used for permanent frequency offset compensation. By writing the value from FREQUEST into FSCTRL0.FREQOFF, the frequency synthesizer will automatically be adjusted according to the estimated frequency offset. More details regarding this permanent frequency compensation algorithm can be found in *DN015 - Permanent Frequency Offset Compensation* (SWRA159).

## Bit Synchronization

The bit synchronization algorithm extracts the clock from the incoming symbols. The algorithm requires that the expected data rate is programmed as described in [Section 19.3.3](#). Resynchronization is performed continuously to adjust for error in the incoming symbol rate.

## Byte Synchronization

Byte synchronization is achieved by a continuous sync word search. The sync word is a 16-bit configurable field (can be repeated to get a 32-bit field) that is automatically inserted at the start of the packet by the modulator in transmit mode. The demodulator uses this field to find the byte boundaries in the stream of bits. The sync word also functions as a system identifier, because only packets with the correct predefined sync word are received if the sync word detection in RX is enabled in register MDMCFG2 (see [Section 19.3.8.1](#)). The sync word detector correlates against the user-configured 16- or 32-bit sync word. The correlation threshold can be set to 15/16, 16/16, or 30/32 bits match. The sync word can be further qualified using the preamble quality indicator mechanism described below and/or a carrier sense condition. The sync word is configured through the SYNC1 and SYNC0 registers.

To make false detections of sync words less likely, a mechanism called preamble quality indication (PQI) can be used to qualify the sync word. A threshold value for the preamble quality must be exceeded in order for a detected sync word to be accepted. See [Section 19.3.8.2](#) for more details.

### 19.3.6 Packet Handling Hardware Support

The radio has built-in hardware support for packet oriented radio protocols.

In transmit mode, the packet handler can be configured to add the following elements to the packet stored in the TX FIFO:

- A programmable number of preamble bytes
- A 2-byte synchronization (sync) word. Can be duplicated to give a 4-byte sync word (recommended). It is not possible to insert only preamble or insert only a sync word.
- A CRC checksum computed over the data field.

The recommended setting is 4-byte preamble and 4-byte sync word, except for 500-kBaud data rate, when the recommended preamble length is 8 bytes. In addition, whitening of the data with a PN9 sequence can be implemented on the data field and the optional 2-byte CRC checksum.

In receive mode, the packet handling support deconstructs the data packet by implementing the following (if enabled):

- Preamble detection
- Sync word detection
- CRC computation and CRC check
- One byte address check
- Packet length check (length byte checked against a programmable maximum length)
- Dewhitening

Optionally, two status bytes (see [Table 19-11](#) and [Table 19-12](#)) with RSSI value, Link Quality Indication, and CRC status can be appended in the RX FIFO.

**Table 19-11. Received Packet Status Byte 1 (First Byte Appended After Data)**

BIT	FIELD NAME	DESCRIPTION
7:0	RSSI	RSSI value

**Table 19-12. Received Packet Status Byte 2 (Second Byte Appended After Data)**

BIT	FIELD NAME	DESCRIPTION
7	CRC_OK	1: CRC for received data OK (or CRC disabled) 0: CRC error in received data
6:0	LQI	Indicating the link quality

---

**Note:** Register fields that control the packet handling features should be altered only when the radio is in the IDLE state.

---

### Data Whitening

From a radio perspective, the ideal over-the-air data are random and dc free. This results in the smoothest power distribution over the occupied bandwidth. This also gives the regulation loops in the receiver uniform operation conditions (no data dependencies).

Real-world data often contain long sequences of zeros and ones. Performance can then be improved by whitening the data before transmitting, and dewhitening the data in the receiver. This can be enabled by setting PKTCTRL0.WHITE\_DATA = 1. All data, except the preamble and the sync word, are then XORed with a 9-bit pseudo-random (PN9) sequence before being transmitted, as shown in Figure 19-4. At the receiver end, the data are XORed with the same pseudo-random sequence. This way, the whitening is reversed, and the original data appear in the receiver. The PN9 sequence is initialized to all ones.

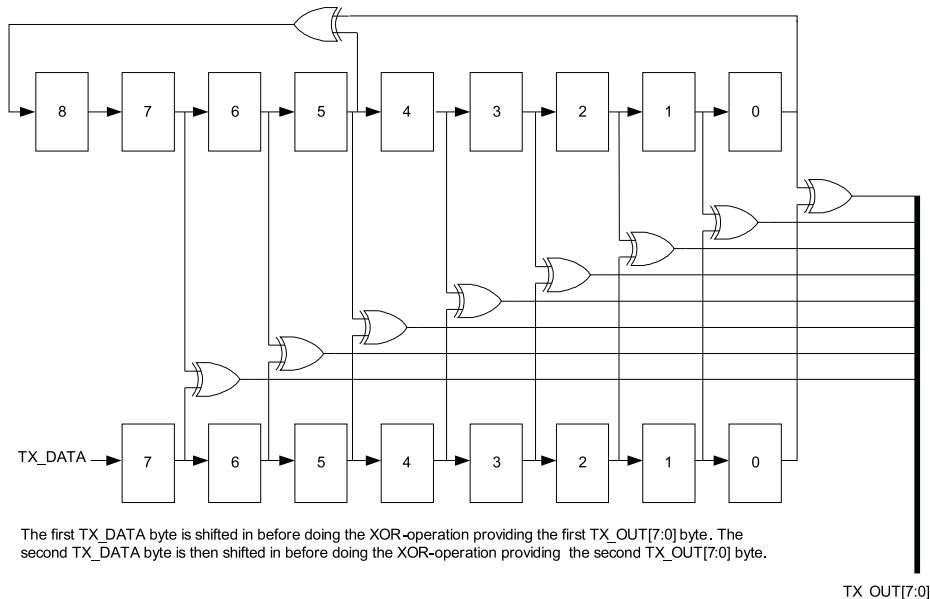


Figure 19-4. Data Whitening in TX Mode

### Packet Format

The format of the data packet can be configured and consists of the following items (see Figure 19-5):

- Preamble
- Synchronization word
- Optional length byte
- Optional address byte
- Payload
- Optional 2-byte CRC

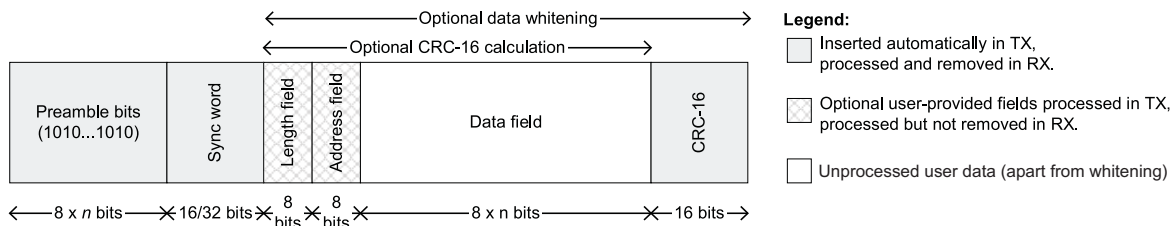


Figure 19-5. Packet Format

The preamble pattern is an alternating sequence of ones and zeros (10101010...). The minimum length of the preamble is programmed with the MDMCFG1.NUM\_PREAMBLE value. When enabling TX, the modulator starts transmitting the preamble. When the programmed number of preamble bytes has been transmitted, the modulator sends the sync word and then data from the TX FIFO if data is available. If the TX FIFO is empty, the modulator continues to send preamble bytes until the first byte is written to the TX FIFO. The modulator then sends the sync word and then the data bytes.

The synchronization word is a two-byte value set in the SYNC1 and SYNC0 registers. The sync word provides byte synchronization of the incoming packet. A one-byte synch word can be emulated by setting the SYNC1 value to the preamble pattern. It is also possible to emulate a 32-bit sync word by setting MDMCFG2.SYNC\_MODE to 3 or 7. The sync word is then repeated twice.

The radio supports both constant packet length protocols and variable length protocols. Variable or fixed packet length mode can be used for packets up to 255 bytes. For longer packets, infinite packet length mode must be used.

Fixed packet length mode is selected by setting PKTCTRL0.LENGTH\_CONFIG = 0. The desired packet length is set by the PKTLEN register.

In variable packet length mode, PKTCTRL0.LENGTH\_CONFIG = 1, the packet length is configured by the first byte after the sync word. The packet length is defined as the payload data, excluding the length byte and the optional CRC. The PKTLEN register is used to set the maximum packet length allowed in RX. Any packet received with a length byte with a value greater than PKTLEN is discarded.

With PKTCTRL0.LENGTH\_CONFIG = 2, the packet length is set to infinite, and transmission and reception continues until turned off manually. As described in the next section, this can be used to support packet formats with different length configuration than natively supported. One should make sure that TX mode is not turned off during the transmission of the first half of any byte.

---

**Note:** The minimum packet length supported (excluding the optional length byte and CRC) is one byte of payload data.

---

### **Arbitrary Length Field Configuration**

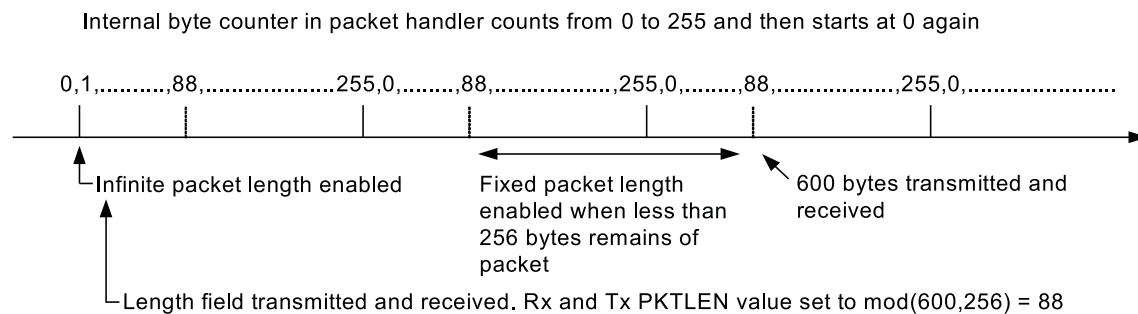
The packet length register, PKTLEN, can be reprogrammed during receive and transmit. In combination with fixed packet length mode (PKTCTRL0.LENGTH\_CONFIG = 0) this opens the possibility to have a different length field configuration than supported for variable length packets (in variable packet length mode the length byte is the first byte after the sync word). At the start of reception, the packet length is set to a large value. The CPU reads out enough bytes to interpret the length field in the packet. Then the PKTLEN value is set according to this value. The end of packet occurs when the byte counter in the packet handler is equal to the PKTLEN register. Thus, the CPU must be able to program the correct length, before the internal counter reaches the packet length.

### **Packet Length Greater Than 255**

Also the packet automation control register, PKTCTRL0, can be reprogrammed during TX and RX. This opens the possibility to transmit and receive packets that are longer than 256 bytes and still be able to use the packet handling hardware support. At the start of the packet, the infinite packet length mode (PKTCTRL0.LENGTH\_CONFIG = 2) must be active. On the TX side, the PKTLEN register is set to mod(length, 256). On the RX side the CPU reads out enough bytes to interpret the length field in the packet and sets the PKTLEN register to mod(length, 256). When less than 256 bytes remain of the packet, the CPU disables infinite packet length mode and activates fixed packet length mode. When the internal byte counter reaches the PKTLEN value, the transmission or reception ends (the radio enters the state determined by TXOFF\_MODE or RXOFF\_MODE). Automatic CRC appending/checking can also be used (by setting PKTCTRL0.CRC\_EN = 1).

When, for example, a 600-byte packet is to be transmitted, the CPU should do the following (see also [Figure 19-6](#)).

1. Set `PKTCTRL0.LENGTH_CONFIG = 2`.
2. Preprogram the `PKTLEN` register to  $\text{mod}(600, 256) = 88$ .
3. Transmit at least 345 bytes ( $600 - 255$ ), for example by filling the 64-byte TX FIFO six times (384 bytes transmitted).
4. Set `PKTCTRL0.LENGTH_CONFIG = 0`.
5. The transmission ends when the packet counter reaches 88. A total of 600 bytes are transmitted.



**Figure 19-6. Packet Length Greater Than 255**

### Packet Filtering in Receive Mode

The radio supports three different types of packet filtering: address filtering, maximum length filtering, and CRC filtering.

#### Address Filtering

Setting `PKTCTRL1.ADR_CHK` to any other value than zero enables the packet address filter. The packet handler engine compares the destination address byte in the packet with the programmed node address in the `ADDR` register and the `0x00` broadcast address when `PKTCTRL1.ADR_CHK = 10` or both `0x00` and `0xFF` broadcast addresses when `PKTCTRL1.ADR_CHK = 11`. If the received address matches a valid address, the packet is received and written into the RX FIFO. If the address match fails, the packet is discarded and receive mode restarted (regardless of the `MCSM1.RXOFF_MODE` setting).

If the received address matches a valid address when using infinite packet length mode and address filtering is enabled, `0xFF` is written into the RX FIFO followed by the address byte and then the payload data.

#### Maximum Length Filtering

In variable packet length mode, `PKTCTRL0.LENGTH_CONFIG = 1`, the `PKTLEN.PACKET_LENGTH` register value is used to set the maximum allowed packet length. If the received length byte has a larger value than this, the packet is discarded and receive mode restarted (regardless of the `MCSM1.RXOFF_MODE` setting).

## CRC Filtering

The filtering of a packet when CRC check fails is enabled by setting `PKTCTRL1.CRC_AUTOFLUSH = 1`. The CRC auto flush function flushes the entire RX FIFO if the CRC check fails. After auto flushing the RX FIFO, the next state depends on the `MCSM1.RXOFF_MODE` setting.

When using the auto flush function, the maximum packet length is 63 bytes in variable packet length mode and 64 bytes in fixed packet length mode. Note that the maximum allowed packet length is reduced by two bytes when `PKTCTRL1.APPEND_STATUS` is enabled, to make room in the RX FIFO for the two status bytes appended at the end of the packet. Because the entire RX FIFO is flushed when the CRC check fails, the previously received packet must be read out of the FIFO before receiving the current packet. The CPU must not read from the current packet until the CRC has been checked as OK.

## Packet Handling in Transmit Mode

The payload that is to be transmitted must be written into the TX FIFO. The first byte written must be the length byte when variable packet length is enabled. The length byte has a value equal to the payload of the packet (including the optional address byte). If address recognition is enabled on the receiver, the second byte written to the TX FIFO must be the address byte. If fixed packet length is enabled, then the first byte written to the TX FIFO should be the address (if the receiver uses address recognition).

The modulator first sends the programmed number of preamble bytes. If data is available in the TX FIFO, the modulator sends the two-byte (optionally four-byte) sync word and then the payload in the TX FIFO. If CRC is enabled, the checksum is calculated over all the data pulled from the TX FIFO and the result is sent as two extra bytes following the payload data. If the TX FIFO runs empty before the complete packet has been transmitted, the radio enters `TXFIFO_UNDERFLOW` state. The only way to exit this state is by issuing an `SFTX` strobe. Writing to the TX FIFO after it has underflowed does not restart TX mode.

If whitening is enabled, everything following the sync words is whitened. Whitening is enabled by setting `PKTCTRL0.WHITE_DATA = 1`.

## Packet Handling in Receive Mode

In receive mode, the demodulator and packet handler searches for a valid preamble and the sync word. When found, the demodulator has obtained both bit and byte synchronism and receives the first payload byte.

If whitening is enabled, the data is dewhitened at this stage.

When variable packet length mode is enabled, the first byte is the length byte. The packet handler stores this value as the packet length and receives the number of bytes indicated by the length byte. If fixed packet length mode is used, the packet handler accepts the programmed number of bytes.

Next, the packet handler optionally checks the address and only continues the reception if the address matches. If automatic CRC check is enabled, the packet handler computes CRC and matches it with the appended CRC checksum.

At the end of the payload, the packet handler optionally writes two extra packet status bytes (see [Table 19-11](#) and [Table 19-12](#)) that contain CRC status, link quality indication, and RSSI value.



## Packet Handling in Firmware

When implementing a packet oriented radio protocol in firmware, the CPU needs to know when a packet has been received/transmitted. Additionally, for packets longer than 64 bytes the RX FIFO needs to be read while in RX and the TX FIFO needs to be refilled while in TX. This means that the CPU needs to know the number of bytes that can be read from or written to the RX FIFO and TX FIFO respectively. There are two possible solutions to get the necessary status information:

### Interrupt Driven Solution

In both RX and TX one can use the RFIFG9 radio core interrupts to request an interrupt when a sync word has been received/transmitted and/or when a complete packet has been received/transmitted (alternatively one of the programmable radio core interrupt flags RFIFG0, RFIFG1, or RFIFG2 can be set to GDOx\_CFG = 0x06). In addition, there are two radio core interrupts associated with the RX FIFO (RFIFG3 and RFIFG4 or alternatively the programmable radio core interrupt flags with GDOx\_CFG = 0x00 and GDOx\_CFG = 0x01) and two that are associated with the TX FIFO (RFIFG5 and RFIFG6 or alternatively the programmable radio core interrupt flags with GDOx\_CFG = 0x02 and GDOx\_CFG = 0x03) that can be used as interrupt sources to provide information on how many bytes are in the RX FIFO and TX FIFO respectively. Using the interrupt flags is the recommended approach.

### Status Register Polling Solution

The PKTSTATUS register can be polled to get information about the current GDO2 and GDO0 values respectively. The RXBYTES and TXBYTES registers can be polled to get information about the number of bytes in the RX FIFO and TX FIFO respectively. Alternatively, the number of bytes in the RX FIFO and TX FIFO can be read from the status byte returned each time an instruction is sent to the radio core.

## 19.3.7 Modulation Formats

The radio supports amplitude, frequency, and phase shift modulation formats. The desired modulation format is set in the MDMCFG2.MOD\_FORMAT register.

Optionally, the data stream can be Manchester coded by the modulator and decoded by the demodulator. This option is enabled by setting MDMCFG2.MANCHESTER\_EN = 1.

## Frequency Shift Keying

The radio has the possibility to use Gaussian shaped 2-FSK (2-GFSK). The 2-FSK signal is then shaped by a Gaussian filter with BT = 0.5, producing a 2-GFSK modulated signal. This spectrum-shaping feature improves adjacent channel power (ACP) and occupied bandwidth.

In 'true' 2-FSK systems with abrupt frequency shifting, the spectrum is inherently broad. By making the frequency shift 'softer', the spectrum can be made significantly narrower. Thus, higher data rates can be transmitted in the same bandwidth using 2-GFSK.

When 2-FSK/2-GFSK modulation is used, the DEVIATN register specifies the expected frequency deviation of incoming signals in RX and should be the same as the TX deviation for demodulation to be performed reliably and robustly.

The frequency deviation is programmed with the DEVIATION\_M and DEVIATION\_E values in the DEVIATN register. The value has an exponent/mantissa form, and the deviation is given in [Equation 19-4](#):

$$f_{\text{dev}} = \frac{f_{\text{xosc}}}{2^{17}} \times (8 + \text{DEVIATION\_M}) \times 2^{\text{DEVIATION\_E}} \quad (19-4)$$

The symbol encoding is shown in [Table 19-13](#).

**Table 19-13. Symbol Encoding for 2-FSK/2-GFSK Modulation**

FORMAT	SYMBOL	CODING
2-FSK/2-GFSK	0	- Deviation
	1	+ Deviation

## Minimum Shift Keying

When using MSK <sup>(1)</sup>, the complete transmission (preamble, sync word, and payload) is MSK modulated.

Phase shifts are performed with a constant transition time. The fraction of a symbol period used to change the phase can be modified with the DEVIATN.DEVIATION\_M setting. This is equivalent to changing the shaping of the symbol. The DEVIATN register setting has no effect in RX when using MSK.

When using MSK, Manchester encoding/decoding should be disabled by setting MDMCFG2.MANCHESTER\_EN = 0.

The implemented MSK modulation format inverts the sync word and data compared to, for example, signal generators.

<sup>(1)</sup> Identical to offset QPSK with half-sine shaping (data coding may differ)

## Amplitude Modulation

The radio supports two different forms of amplitude modulation: on-off keying (OOK) and amplitude shift keying (ASK).

OOK modulation simply turns on or off the PA to modulate 1 and 0, respectively.

The ASK variant allows programming of the modulation depth (the difference between 1 and 0) and shaping of the pulse amplitude. Pulse shaping produces a more bandwidth-constrained output spectrum.

When using OOK/ASK, the AGC settings from the SmartRF® Studio preferred FSK/MSK settings are not optimum. application note *DN022 - CC11xx OOK/ASK Register Settings (SWRA215)* provides guidelines on how to find optimum OOK/ASK settings from the preferred settings in SmartRF Studio. The DEVIATN register setting has no effect in either TX or RX when using OOK/ASK.

### 19.3.8 Received Signal Qualifiers and Link Quality Information

The radio has qualifiers that can be used to increase the likelihood that a valid sync word is detected:

- Sync Word Qualifier
- Preamble Quality Threshold
- RSSI
- Carrier Sense
- Clear Channel Assessment
- Link Quality Indicator

#### Sync Word Qualifier

If sync word detection in RX is enabled in register MDMCFG2, the radio does not start filling the RX FIFO and performing the packet filtering described in [Section 19.3.6.3.3](#) before a valid sync word has been detected. The sync word qualifier mode is set by MDMCFG2.SYNC\_MODE and is summarized in [Table 19-14](#). Carrier sense is described in [Section 19.3.8.4](#).

**Table 19-14. Sync Word Qualifier Mode**

MDMCFG2.SYNC_MODE	SYNC WORD QUALIFIER MODE
000	No preamble/sync
001	15/16 sync word bits detected
010	16/16 sync word bits detected
011	30/32 sync word bits detected
100	No preamble/sync, carrier sense above threshold
101	15/16 + carrier sense above threshold
110	16/16 + carrier sense above threshold
111	30/32 + carrier sense above threshold

### Preamble Quality Threshold (PQT)

The preamble quality threshold (PQT) sync-word qualifier adds the requirement that the received sync word must be preceded with a preamble with a quality above the programmed threshold.

Another use of the preamble quality threshold is as a qualifier for the optional RX termination timer. See [Section 19.3.9.5](#) for details.

The preamble quality estimator increases an internal counter by one each time a bit is received that is different from the previous bit, and decreases the counter by 8 each time a bit is received that is the same as the last bit. The threshold is configured with the register field PKTCTRL1.PQT. A threshold of  $4 \times \text{PQT}$  for this counter is used to gate sync word detection. By setting the value to zero, the preamble quality qualifier of the synch word is disabled.

A preamble quality reached signal can be observed using RFIFG11 or using one of the the GDO signals by setting IOCFGx.GDOx\_CFG = 8. It is also possible to determine if preamble quality is reached by checking the PQT\_REACHED bit in the PKTSTATUS register. This signal/bit asserts when the received signal exceeds the PQT.

### Received Signal Strength Indicator (RSSI)

The RSSI value is an estimate of the signal power level in the chosen channel. This value is based on the current gain setting in the RX chain and the measured signal level in the channel.

In RX mode, the RSSI value can be read continuously from the RSSI status register until the demodulator detects a sync word (when sync word detection is enabled). At that point the RSSI readout value is frozen until the next time the radio enters the RX state.

---

**Note:** It takes some time from the radio enters RX mode until a valid RSSI value is present in the RSSI register. Please refer to *DN505 - RSSI interpretation and timing* (SWRA114) for details on how the RSSI response time can be estimated.

---

The RSSI value is in dBm with  $\frac{1}{2}$ -dB resolution. The RSSI update rate,  $f_{\text{RSSI}}$ , depends on the receiver filter bandwidth ( $\text{BW}_{\text{channel}}$  defined in [Section 19.3.4](#)) and AGCCTRL0.FILTER\_LENGTH.

$$f_{\text{RSSI}} = \frac{2 \times \text{BW}_{\text{channel}}}{8 \times 2^{\text{FILTER\_LENGTH}}} \quad (19-5)$$

If PKTCTRL1.APPEND\_STATUS is enabled the last RSSI value of the packet is automatically added to the first byte appended after the payload.

The RSSI value read from the RSSI status register is a 2s complement number. The following procedure can be used to convert the RSSI reading to an absolute power level (RSSI\_dBm).

1. Read the RSSI status register
2. Convert the reading from a hexadecimal number to a decimal number (RSSI\_dec)
3. If  $\text{RSSI\_dec} \geq 128$  then  $\text{RSSI\_dBm} = (\text{RSSI\_dec} - 256)/2 - \text{RSSI\_offset}$
4. If  $\text{RSSI\_dec} < 128$  then  $\text{RSSI\_dBm} = (\text{RSSI\_dec})/2 - \text{RSSI\_offset}$

[Table 19-15](#) gives typical values for the RSSI\_offset. [Figure 19-7](#) and [Figure 19-8](#) shows typical plots of RSSI reading as a function of input power level for different data rates.

**Table 19-15. Typical RSSI\_offset Values**

DATA RATE (kBaud)	RSSI_offset (dB), 433 MHz	RSSI_offset (dB), 868 MHz
1.2	74	74
38.4	74	74
250	74	74
500	74	74

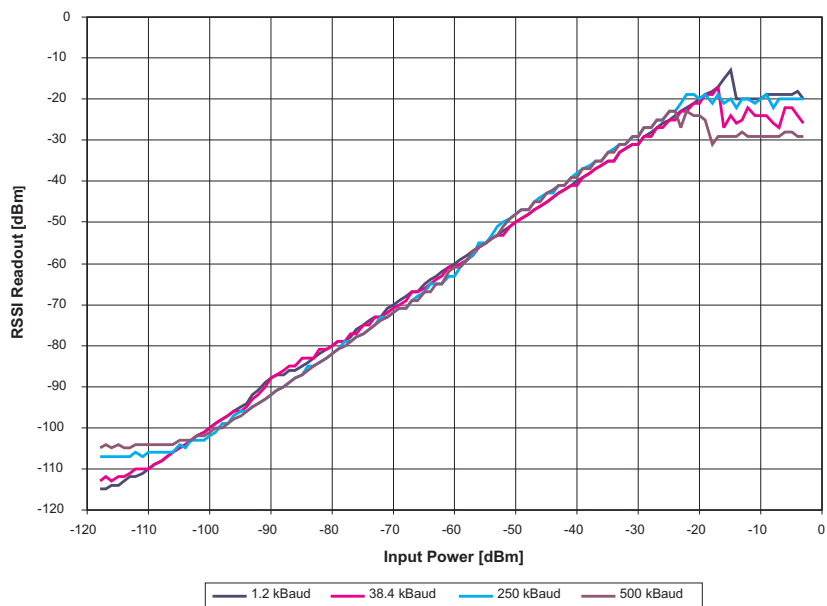


Figure 19-7. Typical RSSI Value vs Input Power Level for Different Data Rates at 433 MHz

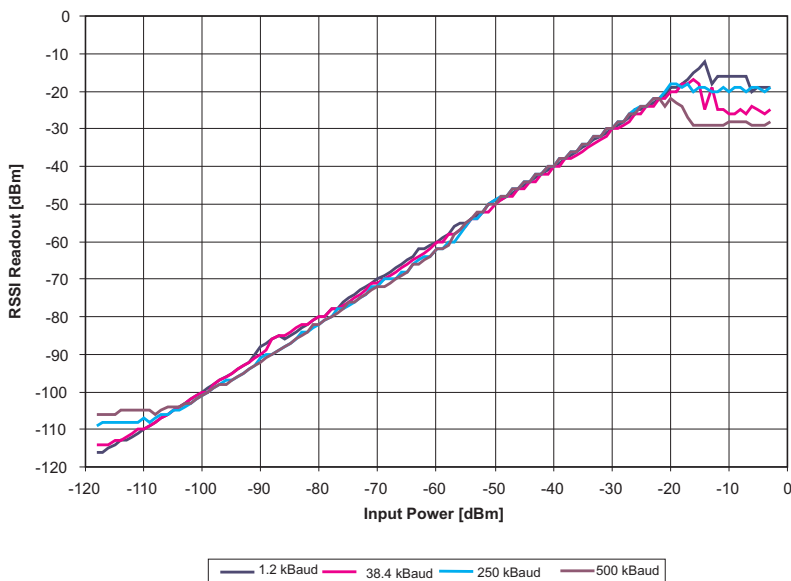


Figure 19-8. Typical RSSI Value vs Input Power Level for Different Data Rates at 868 MHz

## Carrier Sense (CS)

Carrier sense (CS) is used as a sync word qualifier and for CCA and can be asserted based on two conditions, which can be individually adjusted:

- CS is asserted when the RSSI is above a programmable absolute threshold and deasserted when RSSI is below the same threshold (with hysteresis).
- CS is asserted when the RSSI has increased with a programmable number of dB from one RSSI sample to the next and deasserted when RSSI has decreased with the same number of dB. This setting is not dependent on the absolute signal level and is thus useful to detect signals in environments with time varying noise floor.

Carrier sense can be used as a sync word qualifier that requires the signal level to be higher than the threshold for a sync word search to be performed. The signal can also be observed using RFIFG13 or using one of the GDO signals by setting `IOCFGx.GDOx_CFG = 14` and in the status register bit `PKTSTATUS.CS`.

Other uses of carrier sense include the TX-if-CCA function (see [Section 19.3.8.5](#)) and the optional fast RX termination (see [Section 19.3.9.5](#)).

CS can be used to avoid interference from other RF sources in the ISM bands.

### CS Absolute Threshold

The absolute threshold related to the RSSI value depends on the following register fields:

- `AGCCTRL2.MAX_LNA_GAIN`
- `AGCCTRL2.MAX_DVGA_GAIN`
- `AGCCTRL1.CARRIER_SENSE_ABS_THR`
- `AGCCTRL2.MAGN_TARGET`

For a given `AGCCTRL2.MAX_LNA_GAIN` and `AGCCTRL2.MAX_DVGA_GAIN` setting the absolute threshold can be adjusted  $\pm 7$  dB in steps of 1 dB using `CARRIER_SENSE_ABS_THR`.

The `MAGN_TARGET` setting is a compromise between blocker tolerance/selectivity and sensitivity. The value sets the desired signal level in the channel into the demodulator. Increasing this value reduces the headroom for blockers, and therefore close-in selectivity.

It is strongly recommended to use SmartRF Studio to generate the correct `MAGN_TARGET` setting.

[Table 19-16](#) and [Table 19-17](#) show the typical RSSI readout values at the CS threshold at 2.4 kBaud and 250 kBaud data rate respectively. The default `CARRIER_SENSE_ABS_THR = 0` (0 dB) and `MAGN_TARGET = 3` (33 dB) have been used.

For other data rates the user must generate similar tables to find the CS absolute threshold.

**Table 19-16. Typical RSSI Value in dBm at CS Threshold With Default `MAGN_TARGET` at 2.4 kBaud, 868 MHz**

		MAX_DVGA_GAIN[1:0]			
		00	01	10	11
MAX_LNA_GAIN[2:0]	000	-97.5	-91.5	-85.5	-79.5
	001	-94	-88	-82.5	-76
	010	-90.5	-84.5	-78.5	-72.5
	011	-88	-82.5	-76.5	-70.5
	100	-85.5	-80	-73.5	-68
	101	-84	-78	-72	-66
	110	-82	-76	-70	-64
	111	-79	-73.5	-67	-61

**Table 19-17. Typical RSSI Value in dBm at CS Threshold With Default MAGN\_TARGET at 250 kBaud, 868 MHz**

		MAX_DVGA_GAIN[1:0]			
		00	01	10	11
MAX_LNA_GAIN[2:0]	000	-90.5	-84.5	-78.5	-72.5
	001	-88	-82	-76	-70
	010	-84.5	-78.5	-72	-66
	011	-82.5	-76.5	-70	-64
	100	-80.5	-74.5	-68	-62
	101	-78	-72	-66	-60
	110	-76.5	-70	-64	-58
	111	-74.5	-68	-62	-56

If the threshold is set high, i.e., only strong signals are wanted, the threshold should be adjusted upwards by first reducing the MAX\_LNA\_GAIN value and then the MAX\_DVGA\_GAIN value. This reduces power consumption in the receiver front end, because the highest gain settings are avoided.

### CS Relative Threshold

The relative threshold detects sudden changes in the measured signal level. This setting is not dependent on the absolute signal level and is thus useful to detect signals in environments with a time varying noise floor. The register field AGCCTRL1.CARRIER\_SENSE\_REL\_THR is used to enable/disable relative CS, and to select threshold of 6 dB, 10 dB, or 14 dB RSSI change.

### Clear Channel Assessment (CCA)

The CCA is used to indicate if the current channel is free or busy. The current CCA state can be observed by using RFIFG12 or using the GDO signals by setting IOCFGx.GDOx\_CFG = 0x09.

MCSM1.CCA\_MODE selects the mode to use when determining CCA.

When the STX or SFSTXON command strobe is given while the radio is in the RX state, the TX or FSTXON state is only entered if the clear channel requirements are fulfilled. The radio otherwise remains in RX (if the channel becomes available, the radio does not enter TX or FSTXON state before a new strobe command is sent). This feature is called TX-if-CCA. Four CCA requirements can be programmed:

- Always (CCA disabled, always goes to TX)
- If RSSI is below threshold
- Unless currently receiving a packet
- Both the above (RSSI below threshold and not currently receiving a packet)

### Link Quality Indicator (LQI)

The Link Quality Indicator is a metric of the current quality of the received signal. If PKTCTRL1.APPEND\_STATUS is enabled, the value is automatically added to the last byte appended after the payload. The value can also be read from the LQI status register. The LQI gives an estimate of how easily a received signal can be demodulated by accumulating the magnitude of the error between ideal constellations and the received signal over the 64 symbols immediately following the sync word. LQI is best used as a relative measurement of the link quality (a low value indicates a better link than what a high value does), since the value is dependent on the modulation format.

### 19.3.9 Radio Control

The radio has a built-in state machine that is used to switch between different operational states (modes). The change of state is done either by using command strobes or by internal events such as TX FIFO underflow.

The complete radio control state diagram is shown in Figure 19-9. The numbers refer to the state number readable in the MARCSTATE status register. This register is primarily for test purposes.

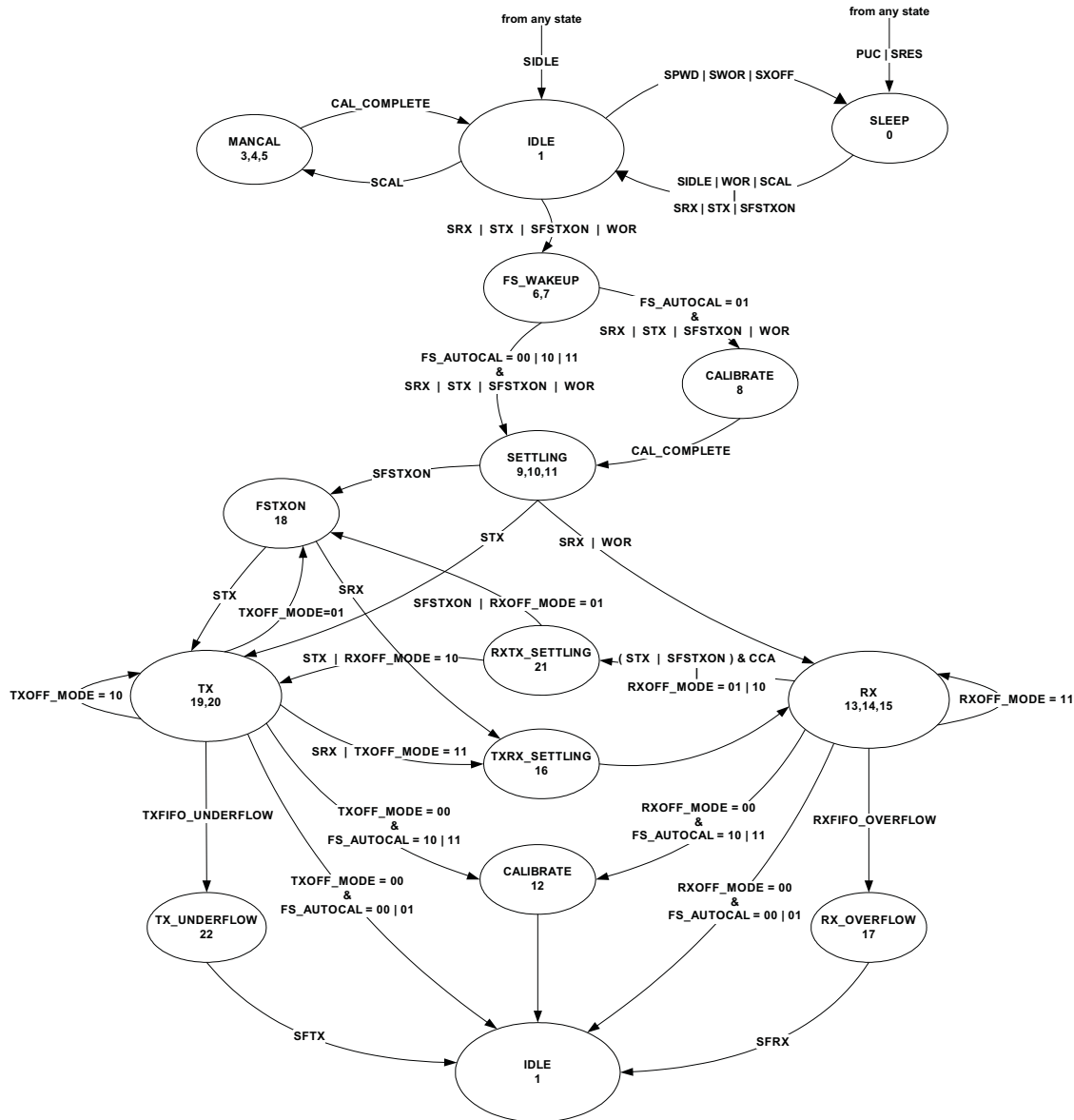


Figure 19-9. Complete Radio-Control State Diagram

#### Manual Reset

Use the SRES command strobe to globally reset the radio core. By issuing this strobe, all internal registers are reset to their default states and the radio core will enter the SLEEP state.

## Crystal Control

The crystal oscillator (XOSC) is either automatically controlled or always on, if MCSM0.XOSC\_FORCE\_ON is set.

In the automatic mode, the XOSC is turned off if the SPWD, SWOR or SXOFF command strobes are issued. The state machine then goes to SLEEP. This can be done only from the IDLE state.

If the XOSC is forced on, the crystal stays on, even in the SLEEP state.

After a reset the crystal oscillator is off because the state machine is in the SLEEP state and XOSC\_FORCE\_ON = 0.

Crystal oscillator start-up time depends on crystal ESR and load capacitances.

## Active Modes

The radio has two active modes: receive and transmit. These modes are activated directly by the CPU by using the SRX and STX command strobes, or automatically by Wake on Radio.

The frequency synthesizer must be calibrated regularly. There is one manual calibration option (using the SCAL strobe), and three automatic calibration options, controlled by the MCSM0.FS\_AUTOCAL setting:

- Calibrate when going from IDLE to either RX or TX (or FSTXON)
- Calibrate when going from either RX or TX to IDLE automatically
- Calibrate every fourth time when going from either RX or TX to IDLE automatically

If the radio goes from TX or RX to IDLE by issuing an SIDLE strobe, calibration is not performed. The calibration takes a constant number of XOSC cycles (see [Table 19-18](#) for timing details).

When RX is activated, the radio remains in receive mode until a packet is successfully received or the RX termination timer expires (see [Section 19.3.9.5](#)). The probability that a false sync word is detected can be reduced by using PQT, CS, maximum sync word length, and sync word qualifier mode as described in [Section 19.3.8](#).

After a packet is successfully received, the radio controller goes to the state indicated by the MCSM1.RXOFF\_MODE setting. The possible destinations are:

- IDLE
- FSTXON: Frequency synthesizer on and ready at the TX frequency. Activate TX with STX.
- TX: Start sending preamble
- RX: Start search for a new packet

---

**Note:** When MCSM1.RXOFF\_MODE=11 and a packet has been received, it takes some time before a valid RSSI value is present in the RSSI register again even if the radio never exited RX mode. This time is the same as the RSSI response time discussed in *DN505 - RSSI interpretation and timing* (SWRA114).

---

Similarly, when TX is active the radio remains in the TX state until the current packet has been successfully transmitted. Then the state changes as indicated by the MCSM1.TXOFF\_MODE setting. The possible destinations are the same as for RX.

The CPU can manually change the state from RX to TX and vice versa by using the command strobes. If the radio controller is currently in transmit and the SRX strobe is used, the current transmission is ended and the transition to RX is done.

If the radio controller is in RX when the STX or SFSTXON command strobes are used, the TX-if-CCA function is used. If the channel is not clear, the radio remains in RX. The MCSM1.CCA\_MODE setting controls the conditions for clear channel assessment (see [Section 19.3.8.5](#) for details).

The SIDLE command strobe can always be used to force the radio controller to go to the IDLE state.



## Wake On Radio (WOR)

The optional Wake on Radio (WOR) functionality enables the radio core to periodically wake up from SLEEP and listen for incoming packets without CPU interaction.

When the SWOR strobe command is sent the radio core goes to the SLEEP state. The WOR timer function can be enabled with WORCTRL.ALCK\_PD = 0 before the SWOR strobe is used otherwise the SWOR strobe will automatically clear it. The WOR timer will wake-up the radio core, the radio core will go to the IDLE state and then RX state. After a programmable time in RX, the radio goes back to the SLEEP state, unless a packet is received. See [Figure 19-10](#) and [Section 19.3.9.5](#) for details on how the timeout works.

Set the radio core into the IDLE state to exit WOR mode.

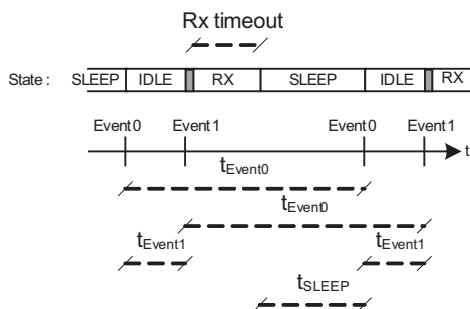
The radio core can signal the CPU that a packet has been received by using the radio core interrupts. If a packet is received, the MCSM1.RXOFF\_MODE determines the behavior at the end of the received packet. When the CPU has acknowledged that a packet was received, it can put the radio back into SLEEP with the SWOR strobe from the IDLE state. The RX FIFO can be read during SLEEP.

The WOR timer has two events, Event 0 and Event 1. In the SLEEP state with WOR activated, reaching Event 0 starts the RF crystal oscillator. Event 1 follows Event 0 after a programmed timeout.

The time between two consecutive Event 0 is programmed with a mantissa value given by WOREVT1.EVENT0 and WOREVT0.EVENT0, and an exponent value set by WORCTRL.WOR\_RES. The equation is:

$$t_{\text{Event0}} = 1/f_{\text{ACLK}} \times \text{EVENT0} \times 2^{5 \times \text{WOR\_RES}}$$

The Event 1 timeout is programmed with WORCTRL.EVENT1. [Figure 19-10](#) shows the timing relationship between Event 0 timeout and Event 1 timeout.



**Figure 19-10. Event 0 and Event 1 Relationship**

The time from entering the SLEEP state until the next Event0 ( $t_{\text{SLEEP}}$  in [Figure 19-10](#)) should be larger than 11.72 ms when  $f_{\text{ACLK}} = 32.768\text{kHz}$ . If  $t_{\text{SLEEP}}$  is less than 11.72 ms, there is a chance that the consecutive Event 0 will occur  $(1 / f_{\text{ACLK}}) \times 128$  seconds too early.

## Timing

The radio controller controls most of the timing, such as synthesizer calibration, PLL lock time, and RX/TX turnaround times. Timing from IDLE to RX and IDLE to TX is constant, dependent on the auto calibration setting. RX/TX and TX/RX turnaround times are constant. The calibration time is constant 18739 clock periods. [Table 19-18](#) shows timing in crystal clock cycles for key state transitions. XOSC start-up times are variable.

Note that in a frequency hopping spread spectrum or a multi-channel protocol the calibration time can be reduced from 721  $\mu\text{s}$  to approximately 150  $\mu\text{s}$  (see [Section 19.3.16.2](#)).

**Table 19-18. State Transition Timing**

DESCRIPTION	XOSC PERIODS	26-MHz CRYSTAL
IDLE to RX, no calibration	2298	88.4 $\mu$ s
IDLE to RX, with calibration	~21037	809 $\mu$ s
IDLE to TX/FSTXON, no calibration	2298	88.4 $\mu$ s
IDLE to TX/FSTXON, with calibration	~21037	809 $\mu$ s
TX to RX switch	560	21.5 $\mu$ s
RX to TX switch	250	9.6 $\mu$ s
RX or TX to IDLE, no calibration	2	0.1 $\mu$ s
RX or TX to IDLE, with calibration	~18739	721 $\mu$ s
Manual calibration	~18739	721 $\mu$ s

### RX Termination Timer

The radio has optional functions for automatic termination of RX after a programmable time. The main use for this functionality is wake-on-radio (WOR), but it may be useful for other applications. The termination timer starts when in RX state. The timeout is programmable with the MCSM2.RX\_TIME setting. When the timer expires, the radio controller checks the condition for staying in RX. If the condition is not met, RX terminates.

The programmable conditions are:

- MCSM2.RX\_TIME\_QUAL = 0  
Continue receive if sync word has been found
- MCSM2.RX\_TIME\_QUAL = 1  
Continue receive if sync word has been found or preamble quality is above threshold (PQT)

If the system can expect the transmission to have started when enabling the receiver, the MCSM2.RX\_TIME\_RSSI function can be used. The radio controller then terminates RX if the first valid carrier sense sample indicates no carrier (RSSI below threshold) (see [Section 19.3.8.4](#) for details on Carrier Sense).

For ASK/OOK modulation, lack of carrier sense is only considered valid after eight symbol periods. Thus, the MCSM2.RX\_TIME\_RSSI function can be used in ASK/OOK mode when the distance between "1" symbols is 8 or less.

If RX terminates due to no carrier sense when the MCSM2.RX\_TIME\_RSSI function is used, or if no sync word was found when using the MCSM2.RX\_TIME timeout function, the radio goes back to IDLE if WOR is disabled and back to SLEEP if WOR is enabled. Otherwise, the MCSM1.RXOFF\_MODE setting determines the state to go to when RX ends. This means that the radio does not automatically go back to SLEEP once a sync word has been received. It is therefore recommended to always wake up the CPU on sync word detection when using WOR mode (RFIFG9 or a GDO signal with GDOx\_CFG=6).

#### 19.3.10 Data FIFO

The radio contains two 64 byte FIFOs, one for received data and one for data to be transmitted. The instructions SNGLRXRD and RXFIFORD can be used to read from the RX FIFO and the instructions SNGLTXWR and RXFIFOWR can be used write to the TX FIFO. Alternative the direct FIFO access can be enabled by setting RFFIFOEN=1. The FIFO controller detects overflow in the RX FIFO and underflow in the TX FIFO.

When writing to the TX FIFO, it is the responsibility of the application software to avoid TX FIFO overflow. A TX FIFO overflow results in an error in the TX FIFO content.

Likewise, when reading the RX FIFO, the software must avoid reading the RX FIFO past its empty value, because an RX FIFO underflow results in an error in the data read out of the RX FIFO.

The status byte that is returned each time an instruction is sent to the radio core contains the fill grade of the RX FIFO if the access is a read operation and the fill grade of the TX FIFO if the access is a write operation.

The number of bytes in the RX FIFO and TX FIFO can be read from the status registers `RXBYTES.NUM_RXBYTES` and `TXBYTES.NUM_TXBYTES` respectively. If a received data byte is written to the RX FIFO at the exact same time as the last byte in the RX FIFO is read, the RX FIFO pointer is not properly updated and the last read byte is duplicated. To avoid this problem one should never empty the RX FIFO before the last byte of the packet is received.

For packet lengths less than 64 bytes it is recommended to wait until the complete packet has been received before reading the RX FIFO.

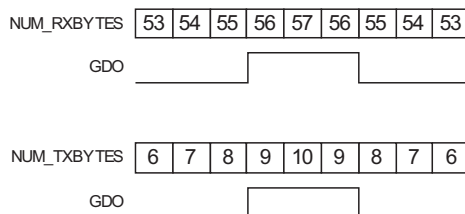
If the packet length is larger than 64 bytes the CPU must determine how many bytes can be read from the RX FIFO (`RXBYTES.NUM_RXBYTES-1`) and the following software routine can be used:

1. Read `RXBYTES.NUM_RXBYTES` repeatedly at a rate ensured to be at least twice that at which RF bytes are received until the same value is returned twice. Store value in `n`.
2. If  $n < \#$  of bytes remaining in packet, read  $n - 1$  bytes from the RX FIFO.
3. Repeat steps 1 and 2 until  $n = \#$  of bytes remaining in packet.
4. Read the remaining bytes from the RX FIFO.

The 4-bit `FIFOTH.RF_THR` setting is used to program threshold points in the FIFOs. [Table 19-19](#) lists the 16 `FIFO_THR` settings and the corresponding thresholds for the RX and TX FIFOs. The threshold value is coded in opposite directions for the RX FIFO and TX FIFO. This gives equal margin to the overflow and underflow conditions when the threshold is reached.

A signal asserts when the number of bytes in the FIFO is equal to or higher than the programmed threshold. This signal can be observed using the `GDOx` signals as well as the corresponding radio core interrupt flags `RFIFGx`.

[Figure 19-12](#) shows the number of bytes in both the RX FIFO and TX FIFO when the threshold signal toggles, in the case of `FIFO_THR = 13`. [Figure 19-11](#) shows the signal as the respective FIFO is filled above the threshold, and then drained below.



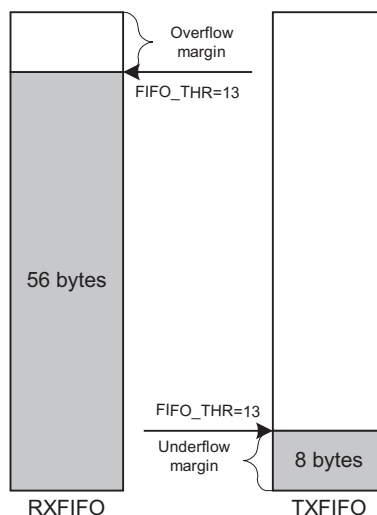
**Figure 19-11. FIFO\_THR = 13 vs Number of Bytes in FIFO  
(GDOx\_CFG = 0x00 in RX and GDOx\_CFG = 0x02 in TX)**

**Table 19-19. FIFO\_THR Settings and the Corresponding FIFO Thresholds**

FIFO_THR	BYTES IN TX FIFO	BYTES IN RX FIFO
0 (0000)	61	4
1 (0001)	57	8
2 (0010)	53	12
3 (0011)	49	16
4 (0100)	45	20
5 (0101)	41	24
6 (0110)	37	28
7 (0111)	33	32
8 (1000)	29	36
9 (1001)	25	40

**Table 19-19. FIFO\_THR Settings and the Corresponding FIFO Thresholds (continued)**

FIFO_THR	BYTES IN TX FIFO	BYTES IN RX FIFO
10 (1010)	21	44
11 (1011)	17	48
12 (1100)	13	52
13 (1101)	9	56
14 (1110)	5	60
15 (1111)	1	64



**Figure 19-12. Example of FIFOs at Threshold**

### 19.3.11 Frequency Programming

The frequency programming is designed to minimize the programming needed in a channel-oriented system.

To set up a system with channel numbers, the desired channel spacing is programmed with the MDMCFG0.CHANSPC\_M and MDMCFG1.CHANSPC\_E registers. The channel spacing registers are mantissa and exponent respectively.

The base or start frequency is set by the 24-bit frequency word located in the FREQ2, FREQ1, and FREQ0 registers. This word is typically set to the center of the lowest channel frequency that is to be used.

The desired channel number is programmed with the 8-bit channel number register, CHANNR.CHAN, which is multiplied by the channel offset. The resultant carrier frequency is given by:

$$f_{\text{carrier}} = \frac{f_{\text{XOSC}}}{2^{16}} \times (\text{FREQ} + \text{CHAN} \times ((256 + \text{CHANSPC\_M}) \times 2^{\text{CHANSPC\_E} - 2})) \quad (19-7)$$

With a 26-MHz crystal the maximum channel spacing is 405 kHz. To get, for example, 1-MHz channel spacing one solution is to use 333-kHz channel spacing and select each third channel in CHANNR.CHAN.

The preferred IF frequency is programmed with the FSCTRL1.FREQ\_IF register. The IF frequency is given by:

$$f_{\text{IF}} = \frac{f_{\text{XOSC}}}{2^{10}} \times \text{FREQ\_IF} \quad (19-8)$$

---

**Note:** The SmartRF Studio software automatically calculates the optimum FSCTRL1.FREQ\_IF register setting based on channel spacing and channel filter bandwidth.

---

If any frequency programming register is altered when the frequency synthesizer is running, the synthesizer may give an undesired response. Hence, the frequency programming should only be updated when the radio is in the IDLE state.

### 19.3.12 VCO

The VCO is completely integrated on-chip.

#### VCO and PLL Self-Calibration

The VCO characteristics vary with temperature and supply voltage changes, as well as the desired operating frequency. To ensure reliable operation, the radio includes a frequency synthesizer self-calibration circuitry. This calibration should be done regularly, and must be performed after turning on power and before using a new frequency (or channel). The number of XOSC cycles for completing the PLL calibration is given in [Table 19-18](#).

The calibration can be initiated automatically or manually. The synthesizer can be automatically calibrated each time the synthesizer is turned on, or each time the synthesizer is turned off automatically. This is configured with the MCSM0.FS\_AUTOCAL register setting. In manual mode, the calibration is initiated when the SCAL command strobe is activated in the IDLE mode.

The calibration values are maintained in SLEEP mode, so the calibration is still valid after waking up from SLEEP mode unless supply voltage or temperature has changed significantly.

To check that the PLL is in lock, the user can program register IOCFGx.GDOx\_CFG to 0x0A and use the lock detector output as an interrupt source for the RF interrupt flags RFIFGx with x = 0,1, or 2. A positive transition means that the PLL is in lock. As an alternative the user can read register FSCAL1. The PLL is in lock if the register content is different from 0x3F (see also the errata notes). For more robust operation the source code could include a check so that the PLL is re-calibrated until PLL lock is achieved if the PLL does not lock the first time.

### 19.3.13 Output Power Programming

The RF output power level has two levels of programmability, as illustrated in [Figure 19-13](#). Firstly, the special PATABLE register can hold up to eight user selected output power settings. Secondly, the 3-bit FRENDO.PA\_POWER value selects the PATABLE entry to use. This two-level functionality provides flexible PA power ramp up and ramp down at the start and end of transmission, as well as ASK modulation shaping. All the PA power settings in the PATABLE from index 0 up to the FRENDO.PA\_POWER value are used.

The power ramping at the start and at the end of a packet can be turned off by setting FRENDO.PA\_POWER to zero and then program the desired output power to index 0 in the PATABLE.

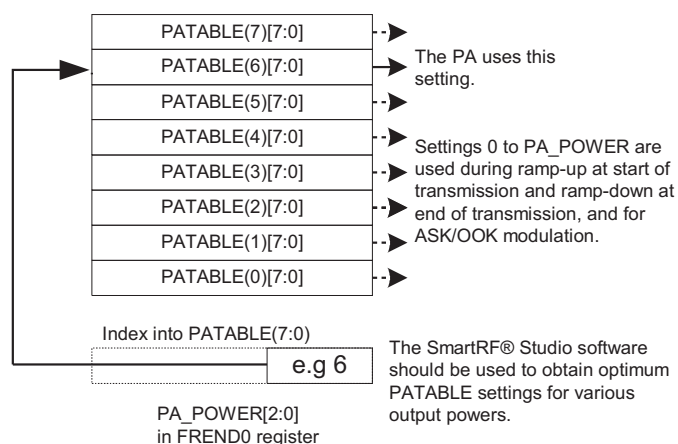
If OOK modulation is used, the logic 0 and logic 1 power levels shall be programmed to index 0 and 1 respectively.

Refer to the device-specific data sheet for recommended PATABLE settings for various output levels and frequency bands. Note that PA settings from 0x61 to 0x6F are not allowed. The data sheet also list output power and current consumption for the default PATABLE setting (0xC6).

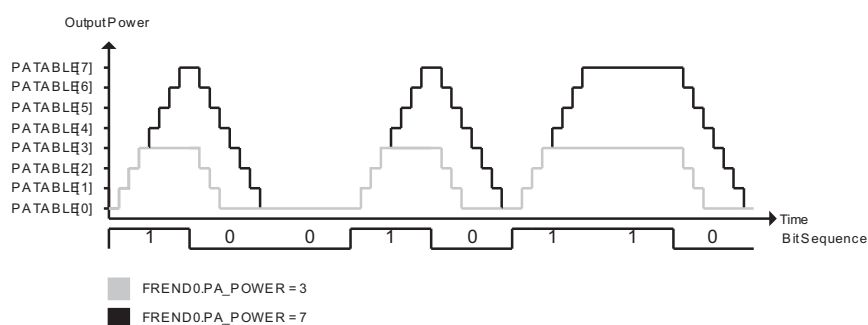
### 19.3.14 Shaping and PA Ramping

With ASK modulation, up to eight power settings are used for shaping. The modulator contains a counter that counts up when transmitting a one and down when transmitting a zero. The counter counts at a rate equal to 8 times the symbol rate. The counter saturates at FRENDO.PA\_POWER and 0 respectively. This counter value is used as an index for a lookup in the power table. Thus, to utilize the whole table, FRENDO.PA\_POWER should be 7 when ASK is active. The shaping of the ASK signal is dependent on the configuration of the PATABLE.

Figure 19-14 shows some examples of ASK shaping.



**Figure 19-13. PA\_POWER and PATABLE**



**Figure 19-14. Shaping of ASK Signal**

### 19.3.15 Asynchronous and Synchronous Serial Operation

Several features and modes of operation have been included in the radio core to provide backward compatibility with previous radios and other existing RF communication systems. For new systems, it is recommended to use the built-in packet handling features, as they can give more robust communication, significantly offload the CPU, and simplify software development.

#### Asynchronous Serial Operation

For backward compatibility with existing systems the asynchronous data transfer is included. When asynchronous transfer is enabled, several of the support mechanisms, such as packet handling, buffering in the FIFO, and so on, are disabled. The asynchronous transfer mode does not allow the use of the data whitener, and it is not possible to use Manchester encoding. MSK is not supported for asynchronous transfer.

Setting PKTCTRL0.PKT\_FORMAT to 3 enables asynchronous serial mode.

The TX data is taken from a Timer\_A capture/compare output (refer to datasheet) or the GDO0 pin can be used for data input (TX data) with GDO0\_CFGx = 0x2D. In this case the pin is automatically configured as an input when TX is active. The RX data is provided to a Timer\_A capture/compare input (refer to datasheet) and can be on GDO0, GDO1, or GDO2 according to their GDOx\_CFG settings.

The modulator of the radio samples the level of the asynchronous input 8 times faster than the programmed data rate. The timing requirement for the asynchronous stream is that the error in the bit period must be less than one eighth of the programmed data rate.

## Synchronous Serial Operation

Setting PKTCTRL0.PKT\_FORMAT to 1 enables synchronous serial mode. In the synchronous serial mode, data is transferred on a two-wire serial interface. The radio core provides a clock that is used to set up new data on the data input line or sample data on the data output line. The TX data is taken from a Timer\_A capture/compare output (refer to datasheet) or the GDO0 pin can be used for data input (TX data) with GDO0\_CFGx = 0x2D. In this case the pin is automatically configured as an input when TX is active. The RX data is provided to a Timer\_A capture/compare input (refer to datasheet) and can be on GDO0, GDO1, or GDO2 according to their GDOx\_CFG settings.

Preamble and sync word insertion/detection may or may not be active, dependent on the sync mode set by the MDMCFG2.SYNC\_MODE. If preamble and sync word is disabled, all other packet handler features must be disabled and the preamble and sync word insertion and detection must be handled in software. If preamble and sync word insertion/detection is left on, all packet handling features can be used except of the address filtering feature.

When using the packet handling features in synchronous serial mode, the radio inserts and detects the preamble and sync word and the application software only provides/gets the data payload. This is equivalent to the recommended FIFO operation mode.

### 19.3.16 System Considerations and Guidelines

#### SRD Regulations

International regulations and national laws regulate the use of radio receivers and transmitters. Short range devices (SRDs) for license-free operation below 1 GHz are usually operated in the 433 MHz, 868 MHz, or 915 MHz frequency bands. The CC1101 radio is specifically designed for such use with its 300 MHz to 348 MHz, 389 MHz to 464 MHz, and 779 MHz to 928 MHz operating ranges. The most important regulations when using a CC1101-based radio in the 433 MHz, 868 MHz, or 915 MHz frequency bands are EN 300 220 (Europe) and FCC CFR47 Part 15 (USA). A summary of the most important aspects of these regulations can be found in *SRD Regulations for Licence Free Transceiver Operation* (SWRA090).

---

**Note:** Compliance with regulations is dependent on complete system performance. It is the customer's responsibility to ensure that the system complies with regulations.

---

#### Frequency Hopping and Multi-Channel Systems

The 315 MHz, 433 MHz, 868 MHz, or 915 MHz bands are shared by many systems both in industrial, office, and home environments. It is therefore recommended to use frequency hopping spread spectrum (FHSS) or a multi-channel protocol because the frequency diversity makes the system more robust with respect to interference from other systems operating in the same frequency band. FHSS also combats multipath fading.

The CC1101-based radio is highly suited for FHSS or multi-channel systems due to its agile frequency synthesizer and effective communication interface. Using the packet handling support and data buffering is also beneficial in such systems, as these features significantly offload the host controller.

Charge pump current, VCO current, and VCO capacitance array calibration data is required for each frequency when implementing frequency hopping. There are three ways of obtaining the calibration data from the radio:

1. Frequency hopping with calibration for each hop. The PLL calibration time is approximately 720  $\mu$ s. The blanking interval between each frequency hop is then approximately 810  $\mu$ s.
2. Fast frequency hopping without calibration for each hop can be done by performing the necessary calibrating at startup and saving the resulting FSCAL3, FSCAL2, and FSCAL1 register values in memory. The VCO capacitance calibration FSCAL1 register value must be found for each RF frequency to be used. The VCO current calibration value and the charge pump current calibration value available in FSCAL2 and FSCAL3 respectively are not dependent on the RF frequency, so the same value can therefore be used for all RF frequencies for these two registers. Between each

frequency hop, the calibration process can then be replaced by writing the FSCAL3, FSCAL2 and FSCAL1 register values that corresponds to the next RF frequency. The PLL turn on time is approximately 90  $\mu$ s. The blanking interval between each frequency hop is then approximately 90  $\mu$ s.

- Run calibration on a single frequency at startup. Next, write 0 to FSCAL3[5:4] to disable the charge-pump calibration. After writing to FSCAL3[5:4], strobe SRX (or STX) with MCSM0.FS\_AUTOCAL = 1 for each new frequency hop. That is, VCO current and VCO capacitance calibration are done but not charge-pump current calibration. When charge pump current calibration is disabled, the calibration time is reduced from approximately 720  $\mu$ s to approximately 150  $\mu$ s. The blanking interval between each frequency hop is then approximately 240  $\mu$ s.

There is a trade off between blanking time and memory space needed for storing calibration data in non-volatile memory. Solution 2 above gives the shortest blanking interval, but requires more memory space to store calibration values. This solution also requires that the supply voltage and temperature do not vary much in order to have a robust solution. Solution 3 gives approximately 570  $\mu$ s smaller blanking interval than solution 1.

The recommended settings for TEST0.VCO\_SEL\_CAL\_EN change with frequency. Therefore, SmartRF Studio should be used to determine the correct settings for a specific frequency before doing a calibration, regardless of which calibration method is used.

### Wideband Modulation Not Using Spread Spectrum

Digital modulation systems under FFC Part 15.247 include 2-FSK and 2-GFSK modulation. A maximum peak output power of 1 W (+30 dBm) is allowed if the 6-dB bandwidth of the modulated signal exceeds 500 kHz. In addition, the peak power spectral density conducted to the antenna shall not be greater than 8 dBm in any 3-kHz band.

Operating at high data rates and frequency separation, the CC1101-based radio is suited for systems targeting compliance with digital modulation system as defined by FFC part 15.247. An external power amplifier is needed to increase the output above 10 dBm.

### Wireless MBUS

The wireless MBUS standard is a communication standard for meters and wireless readout of meters, and specifies the physical and the data link layer. Power consumption is a critical parameter for the meter side, since the communication link shall be operative for the full lifetime of the meter, without changing the battery. MSP430 with an CC1101-based radio is an excellent choice for the Wireless MBUS standard. For more information regarding see *AN067 - Wireless MBUS Implementation with cc1101 and MSP430* (SWRA234). Since the Wireless MBUS standard operates in the 868-870 ISM band, the radio requirements must also comply with the ETSI EN 300 220 and CEPT/ERC/REC 70-03 E standards.

### Data Burst Transmissions

The high maximum data rate of the CC1101-based radio allows burst transmissions. A low average data rate link (e.g., 10 kBaud), can be realized using a higher over-the-air data rate. Buffering the data and transmitting in bursts at high data rate (e.g., 500 kBaud) reduces the time in active mode and, therefore, reduces the average current consumption significantly. Reducing the time in active mode reduces the likelihood of collisions with other systems in the same frequency range.

---

**Note:** The sensitivity and thus transmission range is reduced for high data rate bursts compared to lower data rates.

---

### Continuous Transmissions

In data streaming applications, the CC1101-based radio allows continuous transmissions at 500-kBaud effective data rate. As the modulation is done with a closed-loop PLL, there is no limitation on the length of a transmission (open-loop modulation used in some transceivers often prevents this continuous data streaming and reduces the effective data rate).



## Spectrum Efficient Modulation

The CC1101-based radio also allows the use of Gaussian shaped 2-FSK (2-GFSK). This spectrum-shaping feature improves adjacent channel power (ACP) and occupied bandwidth. In true 2-FSK systems with abrupt frequency shifting, the spectrum is inherently broad. By making the frequency shift softer, the spectrum can be made significantly narrower. Thus, higher data rates can be transmitted in the same bandwidth using 2-GFSK.

## Low Cost Systems

As the CC1101-based radio provides 0.8-500kBaude multi-channel performance without any external SAW or loop filters, a very low-cost system can be made.

A differential antenna eliminates the need for a balun, and the dc biasing can be achieved in the antenna topology.

## Battery Operated Systems

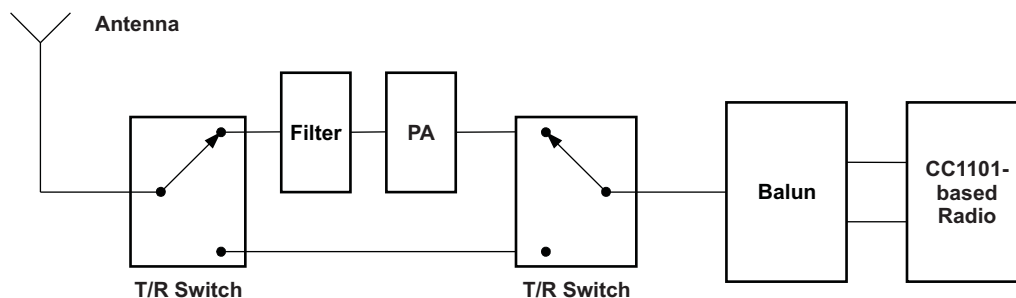
In low-power applications, the SLEEP state with the crystal oscillator core switched off should be used when the radio is not active. The crystal oscillator core can be left running in the SLEEP state if start-up time is critical.

The WOR functionality should be used in low power applications.

## Increasing Output Power

In some applications, it may be necessary to extend the link range. Adding an external power amplifier is the most effective way to do this.

The power amplifier should be inserted between the antenna and the balun, and two T/R switches are needed to disconnect the PA in RX mode (see [Figure 19-15](#)).



**Figure 19-15. Block Diagram of CC1101-based Radio With External Power Amplifier**

### 19.3.17 Radio Core Registers

The configuration of radio core is done by programming 8-bit registers. The optimum configuration based on selected system parameters is most easily found by using the SmartRF Studio software. Complete descriptions of the registers are given in the following tables. After reset (PUC or command strobe SRES), all the registers have default values as shown in the tables. The optimum register setting might differ from the default value.

There are 47 normal 8-bit configuration registers, listed in [Table 19-20](#). Many of these registers are for test purposes only and need not be written for normal operation.

There are also 12 status registers, listed in [Table 19-21](#). These registers, which are read-only, contain information about the status of radio core.

**Table 19-20. Configuration Registers**

ADDRESS	REGISTER	DESCRIPTION
0x00	IOCFG2	GDO2 output configuration
0x01	IOCFG1	GDO1 output configuration
0x02	IOCFG0	GDO0 output configuration
0x03	FIFOTHR	RX FIFO and TX FIFO thresholds
0x04	SYNC1	Sync word, high byte
0x05	SYNC0	Sync word, low byte
0x06	PKTLEN	Packet length
0x07	PKTCTRL1	Packet automation control
0x08	PKTCTRL0	Packet automation control
0x09	ADDR	Device address
0x0A	CHANNR	Channel number
0x0B	FSCTRL1	Frequency synthesizer control
0x0C	FSCTRL0	Frequency synthesizer control
0x0D	FREQ2	Frequency control word, high byte
0x0E	FREQ1	Frequency control word, middle byte
0x0F	FREQ0	Frequency control word, low byte
0x10	MDMCFG4	Modem configuration
0x11	MDMCFG3	Modem configuration
0x12	MDMCFG2	Modem configuration
0x13	MDMCFG1	Modem configuration
0x14	MDMCFG0	Modem configuration
0x15	DEVIATN	Modem deviation setting
0x16	MCSM2	Main radio control state machine configuration
0x17	MCSM1	Main radio control state machine configuration
0x18	MCSM0	Main radio control state machine configuration
0x19	FOCCFG	Frequency offset compensation configuration
0x1A	BSCFG	Bit synchronization configuration
0x1B	AGCCTRL2	AGC control
0x1C	AGCCTRL1	AGC control
0x1D	AGCCTRL0	AGC control
0x1E	WOREVT1	High byte Event 0 timeout
0x1F	WOREVT0	Low byte Event 0 timeout
0x20	WORCTRL	Wake-on-radio control
0x21	FREND1	Front-end RX configuration
0x22	FREND0	Front-end TX configuration
0x23	FSCAL3	Frequency synthesizer calibration
0x24	FSCAL2	Frequency synthesizer calibration
0x25	FSCAL1	Frequency synthesizer calibration
0x26	FSCAL0	Frequency synthesizer calibration
0x27		Reserved - read as "0"
0x28		Reserved - read as "0"
0x29	FSTEST	Frequency synthesizer calibration control
0x2A	PTEST	Production test
0x2B	AGCTEST	AGC test
0x2C	TEST2	Various test settings
0x2D	TEST1	Various test settings
0x2E	TEST0	Various test settings

**Table 19-21. Status Registers**

ADDRESS	REGISTER	DESCRIPTION
0x30	PARTNUM	Part number
0x31	VERSION	Current version number
0x32	FREQEST	Frequency offset estimate
0x33	LQI	Demodulator estimate for link quality
0x34	RSSI	Received signal strength indication
0x35	MARCSTATE	Control state machine state
0x36	WORTIME1	High byte of WOR timer
0x37	WORTIME0	Low byte of WOR timer
0x38	PKTSTATUS	Current GDOx status and packet status
0x39	VCO_VC_DAC	Current setting from PLL calibration module
0x3A	TXBYTES	Underflow and number of bytes in the TX FIFO
0x3B	RXBYTES	Overflow and number of bytes in the RX FIFO

## Radio Core Configuration Register Details

### 0x00: IOCFG2 – GDO2 Output Configuration

BIT	FIELD NAME	RESET	R/W	DESCRIPTION
7	Reserved		R0	
6	GDO2_INV	0	R/W	Invert output, i.e., select active low (1) or active high (0)
5:0	GDO2_CFG[5:0]	41 (0x29)	R/W	Signal selection according to <a href="#">Table 19-22</a> . Default is RF_RDYn.

### 0x01: IOCFG1 – GDO1 Output Configuration

BIT	FIELD NAME	RESET	R/W	DESCRIPTION
7	Reserved		R0	
6	GDO1_INV	0	R/W	Invert output, i.e., select active low (1) or active high (0)
5:0	GDO1_CFG[5:0]	46 (0x2E)	R/W	Signal selection according to <a href="#">Table 19-22</a> . Default is 3-state.

### 0x02: IOCFG0 – GDO0 Output Configuration

BIT	FIELD NAME	RESET	R/W	DESCRIPTION
7	Reserved		R0	
6	GDO0_INV	0	R/W	Invert output, i.e., select active low (1) or active high (0)
5:0	GDO0_CFG[5:0]	46 (0x2E)	R/W	Signal selection according to <a href="#">Table 19-22</a> . Default is 3-state.

**Table 19-22. GDOx Signal Selection (x = 0, 1, or 2)**

GDOx_CFG[5:0]	DESCRIPTION
0 (0x00)	Associated to the RX FIFO: Asserts when RX FIFO is filled at or above the RX FIFO threshold. De-asserts when RX FIFO is drained below the same threshold.
1 (0x01)	Associated to the RX FIFO: Asserts when RX FIFO is filled at or above the RX FIFO threshold or the end of packet is reached. De-asserts when the RX FIFO is empty.
2 (0x02)	Associated to the TX FIFO: Asserts when the TX FIFO is filled at or above the TX FIFO threshold. De-asserts when the TX FIFO is below the same threshold.
3 (0x03)	Associated to the TX FIFO: Asserts when TX FIFO is full. De-asserts when the TX FIFO is drained below the TX FIFO threshold.
4 (0x04)	Asserts when the RX FIFO has overflowed. De-asserts when the FIFO has been flushed.
5 (0x05)	Asserts when the TX FIFO has underflowed. De-asserts when the FIFO is flushed.
6 (0x06)	Asserts when sync word has been sent / received, and de-asserts at the end of the packet. In RX, the pin will de-assert when the optional address check fails or the RX FIFO overflows. In TX the pin will de-assert if the TX FIFO underflows.
7 (0x07)	Asserts when a packet has been received with CRC OK. De-asserts when the first byte is read from the RX FIFO.
8 (0x08)	Preamble Quality Reached. Asserts when the PQI is above the programmed PQT value.
9 (0x09)	Clear channel assessment. High when RSSI level is below threshold (dependent on the current CCA_MODE setting).
10 (0x0A)	Lock detector output. The PLL is in lock if the lock detector output has a positive transition or is constantly logic high. To check for PLL lock the lock detector output should be used as an interrupt source.
11 (0x0B)	Serial Clock. Synchronous to the data in synchronous serial mode. In RX mode, data is set up on the falling edge when GDOx_INV=0. In TX mode, data is sampled on the rising edge of the serial clock when GDOx_INV=0.
12 (0x0C)	Serial Synchronous Data Output. Used for synchronous serial mode.
13 (0x0D)	Serial Data Output. Used for asynchronous serial mode.
14 (0x0E)	Carrier sense. High if RSSI level is above threshold.
15 (0x0F)	CRC_OK. The last CRC comparison matched. Cleared when entering/restarting RX mode.
16 (0x10)	Reserved – used for test.
17 (0x11)	Reserved – used for test.
18 (0x12)	Reserved – used for test.
19 (0x13)	Reserved – used for test.
20 (0x14)	Reserved – used for test.
21 (0x15)	Reserved – used for test.
22 (0x16)	RX_HARD_DATA[1]. Can be used together with RX_SYMBOL_TICK for alternative serial RX output.
23 (0x17)	RX_HARD_DATA[0]. Can be used together with RX_SYMBOL_TICK for alternative serial RX output.
24 (0x18)	Reserved – used for test.

**Table 19-22. GDOx Signal Selection (x = 0, 1, or 2) (continued)**

25 (0x19)	Reserved – used for test.
26 (0x1A)	Reserved – used for test.
27 (0x1B)	PA power down signal to control an external PA and/or RX/TX switch.
28 (0x1C)	LNA power down signal to control an external LNA and/or RX/TX switch.
29 (0x1D)	RX_SYMBOL_TICK. Can be used together with RX_HARD_DATA for alternative serial RX output.
30 (0x1E)	RSSI_VALID.
31 (0x1F)	RX_TIMEOUT.
32 (0x20)	Reserved – used for test.
33 (0x21)	Reserved – used for test.
34 (0x22)	Reserved – used for test.
35 (0x23)	Reserved – used for test.
36 (0x24)	WOR_EVENT0.
37 (0x25)	WOR_EVENT1.
38 (0x26)	Reserved – used for test.
39 (0x27)	CLK_32k
40 (0x28)	Reserved – used for test.
41 (0x29)	RF_RDYn
42 (0x2A)	Reserved – used for test.
43 (0x2B)	XOSC_STABLE
44 (0x2C)	Reserved – used for test.
45 (0x2D)	On GDO1 and GDO2 this signal indicates, when 0, that GDO0 is configured as input (when GDO0_CFG = 0x2D) or that serial TX data is taken from the Timer_A (when GDO0_CFG ≠ 0x2D). If GDO0_CFG = 0x2D the serial input data is taken from GDO0 otherwise it is taken from Timer_A.
46 (0x2E)	Tri-State.
47 (0x2F)	Hard-wired to 0. (Hard-wired to 1 can be achieved by setting GDOx_INV=1.)
48 (0x30)	RFCLK/1 <sup>(1)</sup>
49 (0x31)	RFCLK/1.5 <sup>(1)</sup>
50 (0x32)	RFCLK/2 <sup>(1)</sup>
51 (0x33)	RFCLK/3 <sup>(1)</sup>
52 (0x34)	RFCLK/4 <sup>(1)</sup>
53 (0x35)	RFCLK/6 <sup>(1)</sup>
54 (0x36)	RFCLK/8 <sup>(1)</sup>
55 (0x37)	RFCLK/12 <sup>(1)</sup>
56 (0x38)	RFCLK/16 <sup>(1)</sup>
57 (0x39)	RFCLK/24 <sup>(1)</sup>
58 (0x3A)	RFCLK/32 <sup>(1)</sup>
59 (0x3B)	RFCLK/48 <sup>(1)</sup>
60 (0x3C)	RFCLK/64 <sup>(1)</sup>
61 (0x3D)	RFCLK/96 <sup>(1)</sup>
62 (0x3E)	RFCLK/128 <sup>(1)</sup>
63 (0x3F)	RFCLK/192 <sup>(1)</sup>

- <sup>(1)</sup> There are 3 GDO signals, but only one RFCLK/n can be selected as an output at any time. If RFCLK/n is to be monitored on one of the GDO pins, the other two GDO pins must be configured to values less than 0x30. The divided clock might also be used as a timer clock (e.g. for Timer\_A, refer to device-specific data sheet). If a RFCLK divider setting other than the default setting expected by the timer (/192) is selected this divider setting will be also used for the timer(s).  
To optimize RF performance, these signal should not be used while the radio is in RX or TX mode.

**0x03: FIFOTHR – RX FIFO and TX FIFO Thresholds**

BIT	FIELD NAME	RESET	R/W	DESCRIPTION																																																			
7	Reserved	0	R/W	Write 0 for compatibility with possible future extensions																																																			
6	ADC_RETENTION	0	R/W	0: TEST1 = 0x31 and TEST2 = 0x88 when waking up from SLEEP 1: TEST1 = 0x35 and TEST2 = 0x81 when waking up from SLEEP																																																			
5:4	CLOSE_IN_RX [1:0]	0 (00)	R/W	For more details, see <i>Close-in Reception With CC1101</i> (SWRA147). <table border="1" data-bbox="711 401 1227 583"> <thead> <tr> <th>Setting</th> <th>RX Attenuation, Typical Values</th> </tr> </thead> <tbody> <tr> <td>0 (00)</td> <td>0 dB</td> </tr> <tr> <td>1 (01)</td> <td>6 dB</td> </tr> <tr> <td>2 (10)</td> <td>12 dB</td> </tr> <tr> <td>3 (11)</td> <td>18 dB</td> </tr> </tbody> </table>	Setting	RX Attenuation, Typical Values	0 (00)	0 dB	1 (01)	6 dB	2 (10)	12 dB	3 (11)	18 dB																																									
Setting	RX Attenuation, Typical Values																																																						
0 (00)	0 dB																																																						
1 (01)	6 dB																																																						
2 (10)	12 dB																																																						
3 (11)	18 dB																																																						
3:0	FIFO_THR[3:0]	7 (0111)	R/W	Set the threshold for the TX FIFO and RX FIFO. The threshold is exceeded when the number of bytes in the FIFO is equal to or higher than the threshold value. <table border="1" data-bbox="711 669 1227 1232"> <thead> <tr> <th>Setting</th> <th>Bytes in TX FIFO</th> <th>Bytes in RX FIFO</th> </tr> </thead> <tbody> <tr><td>0 (0000)</td><td>61</td><td>4</td></tr> <tr><td>1 (0001)</td><td>57</td><td>8</td></tr> <tr><td>2 (0010)</td><td>53</td><td>12</td></tr> <tr><td>3 (0011)</td><td>49</td><td>16</td></tr> <tr><td>4 (0100)</td><td>45</td><td>20</td></tr> <tr><td>5 (0101)</td><td>41</td><td>24</td></tr> <tr><td>6 (0110)</td><td>37</td><td>28</td></tr> <tr><td>7 (0111)</td><td>33</td><td>32</td></tr> <tr><td>8 (1000)</td><td>29</td><td>36</td></tr> <tr><td>9 (1001)</td><td>25</td><td>40</td></tr> <tr><td>10 (1010)</td><td>21</td><td>44</td></tr> <tr><td>11 (1011)</td><td>17</td><td>48</td></tr> <tr><td>12 (1100)</td><td>13</td><td>52</td></tr> <tr><td>13 (1101)</td><td>9</td><td>56</td></tr> <tr><td>14 (1110)</td><td>5</td><td>60</td></tr> <tr><td>15 (1111)</td><td>1</td><td>64</td></tr> </tbody> </table>	Setting	Bytes in TX FIFO	Bytes in RX FIFO	0 (0000)	61	4	1 (0001)	57	8	2 (0010)	53	12	3 (0011)	49	16	4 (0100)	45	20	5 (0101)	41	24	6 (0110)	37	28	7 (0111)	33	32	8 (1000)	29	36	9 (1001)	25	40	10 (1010)	21	44	11 (1011)	17	48	12 (1100)	13	52	13 (1101)	9	56	14 (1110)	5	60	15 (1111)	1	64
Setting	Bytes in TX FIFO	Bytes in RX FIFO																																																					
0 (0000)	61	4																																																					
1 (0001)	57	8																																																					
2 (0010)	53	12																																																					
3 (0011)	49	16																																																					
4 (0100)	45	20																																																					
5 (0101)	41	24																																																					
6 (0110)	37	28																																																					
7 (0111)	33	32																																																					
8 (1000)	29	36																																																					
9 (1001)	25	40																																																					
10 (1010)	21	44																																																					
11 (1011)	17	48																																																					
12 (1100)	13	52																																																					
13 (1101)	9	56																																																					
14 (1110)	5	60																																																					
15 (1111)	1	64																																																					

**0x04: SYNC1 – Sync Word, High Byte**

BIT	FIELD NAME	RESET	R/W	DESCRIPTION
7:0	SYNC[15:8]	211 (0xD3)	R/W	8 MSB of 16-bit sync word

**0x05: SYNC0 – Sync Word, Low Byte**

BIT	FIELD NAME	RESET	R/W	DESCRIPTION
7:0	SYNC[7:0]	145 (0x91)	R/W	8 LSB of 16-bit sync word

**0x06: PKTLEN – Packet Length**

BIT	FIELD NAME	RESET	R/W	DESCRIPTION
7:0	PACKET_LENGTH	255 (0xFF)	R/W	Indicates the packet length when fixed packet length mode is enabled. If variable packet length mode is used, this value indicates the maximum packet length allowed.

**0x07: PKTCTRL1 – Packet Automation Control**

BIT	FIELD NAME	RESET	R/W	DESCRIPTION	
7:5	PQT[2:0]	0 (0x00)	R/W	Preamble quality estimator threshold. The preamble quality estimator increases an internal counter by one each time a bit is received that is different from the previous bit, and decreases the counter by 8 each time a bit is received that is the same as the last bit.  A threshold of $4 \times \text{PQT}$ for this counter is used to gate sync-word detection. When $\text{PQT} = 0$ a sync word is always accepted.	
4	Reserved	0	R0		
3	CRC_AUTOFLUSH	0	R/W	Enable automatic flush of RX FIFO when CRC is not OK. This requires that only one packet is in the RX FIFO and that packet length is limited to the RX FIFO size.	
2	APPEND_STATUS	1	R/W	When enabled, two status bytes are appended to the payload of the packet. The status bytes contain RSSI and LQI values, as well as CRC OK.	
1:0	ADR_CHK[1:0]	0 (00)	R/W	Controls address check configuration of received packages.	
				<b>Setting</b>	<b>Address Check Configuration</b>
				0 (00)	No address check
				1 (01)	Address check, no broadcast
				2 (10)	Address check and 0 (0x00) broadcast
3 (11)	Address check and 0 (0x00) and 255 (0xFF) broadcast				

**0x08: PKTCTRL0 – Packet Automation Control**

BIT	FIELD NAME	RESET	R/W	DESCRIPTION	
7	Reserved		R0		
6	WHITE_DATA	1	R/W	Turn data whitening on/off 0: Whitening off 1: Whitening on	
5:4	PKT_FORMAT[1:0]	0 (00)	R/W	Format of RX and TX data	
				<b>Setting</b>	<b>Packet Format</b>
				0 (00)	Normal mode, use FIFOs for RX and TX
				1 (01)	Synchronous serial mode. Used for backwards compatibility.
				2 (10)	Random TX mode. Sends random data using PN9 generator. Used for test. Works as normal mode, setting 0 (00), in RX.
3 (11)	Asynchronous serial mode.				
3	Reserved	0	R0		
2	CRC_EN	1	R/W	Enable CRC 1: CRC calculation in TX and CRC check in RX enabled 0: CRC disabled for TX and RX	
1:0	LENGTH_CONFIG[1:0]	1 (01)	R/W	Configure the packet length	
				<b>Setting</b>	<b>Packet Length Configuration</b>
				0 (00)	Fixed packet length mode. Length configured in PKTLEN register
				1 (01)	Variable packet length mode. Packet length configured by the first byte after sync word
				2 (10)	Infinite packet length mode
3 (11)	Reserved				

**0x09: ADDR – Device Address**

BIT	FIELD NAME	RESET	R/W	DESCRIPTION
7:0	DEVICE_ADDR[7:0]	0 (0x00)	R/W	Address used for packet filtration. Optional broadcast addresses are 0 (0x00) and 255 (0xFF).



**0x0A: CHANNR – Channel Number**

BIT	FIELD NAME	RESET	R/W	DESCRIPTION
7:0	CHAN[7:0]	0 (0x00)	R/W	The 8-bit unsigned channel number, which is multiplied by the channel spacing setting and added to the base frequency.

**0x0B: FSCTRL1 – Frequency Synthesizer Control**

BIT	FIELD NAME	RESET	R/W	DESCRIPTION
7:5	Reserved		R0	
4:0	FREQ_IF[4:0]	15 (0x0F)	R/W	The desired IF frequency to employ in RX. Subtracted from FS base frequency in RX and controls the digital complex mixer in the demodulator. $f_{IF} = (f_{XOSC}/2^{10}) \times \text{FREQ\_IF}$ The default value gives an IF frequency of 381 kHz, assuming a 26-MHz crystal.

**0x0C: FSCTRL0 – Frequency Synthesizer Control**

BIT	FIELD NAME	RESET	R/W	DESCRIPTION
7:0	FREQOFF[7:0]	0 (0x00)	R/W	Frequency offset added to the base frequency before being used by the frequency synthesizer (2s complement). Resolution is $f_{XTAL}/2^{14}$ (1.59 kHz to 1.65 kHz). Range is $\pm 202$ kHz to $\pm 210$ kHz, dependent on crystal frequency.

**0x0D: FREQ2 – Frequency Control Word, High Byte**

BIT	FIELD NAME	RESET	R/W	DESCRIPTION
7:6	FREQ[23:22]	0 (00)	R	FREQ[23:22] is always 0 (the FREQ2 register is less than 36 with 26-MHz to 27-MHz crystal)
5:0	FREQ[21:16]	30 (0x1E)	R/W	FREQ[23:22] is the base frequency for the frequency synthesizer in increments of $f_{XOSC}/2^{16}$ . $f_{carrier} = (f_{XOSC}/2^{16}) \times \text{FREQ}[23:0]$

**0x0E: FREQ1 – Frequency Control Word, Middle Byte**

BIT	FIELD NAME	RESET	R/W	DESCRIPTION
7:0	FREQ[15:8]	196 (0xC4)	R/W	See description in FREQ2 register

**0x0F: FREQ0 – Frequency Control Word, Low Byte**

BIT	FIELD NAME	RESET	R/W	DESCRIPTION
7:0	FREQ[7:0]	236 (0xEC)	R/W	See description in FREQ2 register

**0x10: MDMCFG4 – Modem Configuration**

BIT	FIELD NAME	RESET	R/W	DESCRIPTION
7:6	CHANBW_E[1:0]	2 (0x02)	R/W	
5:4	CHANBW_M[1:0]	0 (0x00)	R/W	Sets the decimation ratio for the delta-sigma ADC input stream and thus the channel bandwidth. $BW_{channel} = \frac{f_{XOSC}}{8 \times (4 + \text{CHANBW\_M}) \times 2^{\text{CHANBW\_E}}}$ The default values give 203 kHz channel filter bandwidth, assuming a 26-MHz crystal.
3:0	DRATE_E[3:0]	12 (0x0C)	R/W	The exponent of the user specified symbol rate

**0x11: MDMCFG3 – Modem Configuration**

BIT	FIELD NAME	RESET	R/W	DESCRIPTION
7:0	DRATE_M[7:0]	34 (0x22)	R/W	<p>The mantissa of the user specified symbol rate. The symbol rate is configured using an unsigned, floating-point number with 9-bit mantissa and 4-bit exponent. The 9th bit is a hidden 1. The resulting data rate is:</p> $R_{DATA} = \frac{(256 + DRATE\_M) \times 2^{DRATE\_E}}{2^{28}} \times f_{XOSC}$ <p>The default values give a data rate of 115.051 kBaud (closest setting to 115.2 kBaud), assuming a 26-MHz crystal.</p>

**0x12: MDMCFG2 – Modem Configuration**

BIT	FIELD NAME	RESET	R/W	DESCRIPTION																		
7	DEM_DCFILT_OFF	0	R/W	<p>Disable digital dc blocking filter before demodulator.</p> <p>0 = Enable (better sensitivity)</p> <p>1 = Disable (current optimized). Only for data rates ≤ 250 kBaud.</p> <p>The recommended IF frequency changes when the dc blocking is disabled. Use SmartRF Studio to calculate correct register setting.</p>																		
6:4	MOD_FORMAT[2:0]	0 (000)	R/W	<p>The modulation format of the radio signal</p> <table border="1"> <thead> <tr> <th>Setting</th> <th>Modulation Format</th> </tr> </thead> <tbody> <tr> <td>0 (000)</td> <td>2-FSK</td> </tr> <tr> <td>1 (001)</td> <td>2-GFSK</td> </tr> <tr> <td>2 (010)</td> <td>Reserved</td> </tr> <tr> <td>3 (011)</td> <td>ASK/OOK</td> </tr> <tr> <td>4 (100)</td> <td>Reserved</td> </tr> <tr> <td>5 (101)</td> <td>Reserved</td> </tr> <tr> <td>6 (110)</td> <td>Reserved</td> </tr> <tr> <td>7 (111)</td> <td>MSK</td> </tr> </tbody> </table> <p>MSK is supported only for data rates above 26 kBaud</p>	Setting	Modulation Format	0 (000)	2-FSK	1 (001)	2-GFSK	2 (010)	Reserved	3 (011)	ASK/OOK	4 (100)	Reserved	5 (101)	Reserved	6 (110)	Reserved	7 (111)	MSK
Setting	Modulation Format																					
0 (000)	2-FSK																					
1 (001)	2-GFSK																					
2 (010)	Reserved																					
3 (011)	ASK/OOK																					
4 (100)	Reserved																					
5 (101)	Reserved																					
6 (110)	Reserved																					
7 (111)	MSK																					
3	MANCHESTER_EN	0	R/W	<p>Enables Manchester encoding/decoding.</p> <p>0 = Disable</p> <p>1 = Enable</p>																		
2:0	SYNC_MODE[2:0]	2 (010)	R/W	<p>Combined sync-word qualifier mode.</p> <p>The values 0 (000) and 4 (100) disables preamble and sync word transmission in TX and preamble and sync word detection in RX.</p> <p>The values 1 (001), 2 (010), 5 (101) and 6 (110) enables 16-bit sync word transmission in TX and 16-bits sync word detection in RX. Only 15 of 16 bits need to match in RX when using setting 1 (001) or 5 (101).</p> <p>The values 3 (011) and 7 (111) enables repeated sync word transmission in TX and 32-bits sync word detection in RX (only 30 of 32 bits need to match).</p> <table border="1"> <thead> <tr> <th>Setting</th> <th>Sync-Word Qualifier Mode</th> </tr> </thead> <tbody> <tr> <td>0 (000)</td> <td>No preamble/sync</td> </tr> <tr> <td>1 (001)</td> <td>15/16 sync word bits detected</td> </tr> <tr> <td>2 (010)</td> <td>16/16 sync word bits detected</td> </tr> <tr> <td>3 (011)</td> <td>30/32 sync word bits detected</td> </tr> <tr> <td>4 (100)</td> <td>No preamble/sync, carrier-sense above threshold</td> </tr> <tr> <td>5 (101)</td> <td>15/16 + carrier-sense above threshold</td> </tr> <tr> <td>6 (110)</td> <td>16/16 + carrier-sense above threshold</td> </tr> <tr> <td>7 (111)</td> <td>30/32 + carrier-sense above threshold</td> </tr> </tbody> </table>	Setting	Sync-Word Qualifier Mode	0 (000)	No preamble/sync	1 (001)	15/16 sync word bits detected	2 (010)	16/16 sync word bits detected	3 (011)	30/32 sync word bits detected	4 (100)	No preamble/sync, carrier-sense above threshold	5 (101)	15/16 + carrier-sense above threshold	6 (110)	16/16 + carrier-sense above threshold	7 (111)	30/32 + carrier-sense above threshold
Setting	Sync-Word Qualifier Mode																					
0 (000)	No preamble/sync																					
1 (001)	15/16 sync word bits detected																					
2 (010)	16/16 sync word bits detected																					
3 (011)	30/32 sync word bits detected																					
4 (100)	No preamble/sync, carrier-sense above threshold																					
5 (101)	15/16 + carrier-sense above threshold																					
6 (110)	16/16 + carrier-sense above threshold																					
7 (111)	30/32 + carrier-sense above threshold																					

**0x13: MDMCFG1 – Modem Configuration**

BIT	FIELD NAME	RESET	R/W	DESCRIPTION																		
7	Reserved		R0																			
6:4	NUM_PREAMBLE[2:0]	2 (010)	R/W	Sets the minimum number of preamble bytes to be transmitted <table border="1" style="margin-left: 20px;"> <thead> <tr> <th>Setting</th> <th>Number of Preamble Bytes</th> </tr> </thead> <tbody> <tr><td>0 (000)</td><td>2</td></tr> <tr><td>1 (001)</td><td>3</td></tr> <tr><td>2 (010)</td><td>4</td></tr> <tr><td>3 (011)</td><td>6</td></tr> <tr><td>4 (100)</td><td>8</td></tr> <tr><td>5 (101)</td><td>12</td></tr> <tr><td>6 (110)</td><td>16</td></tr> <tr><td>7 (111)</td><td>24</td></tr> </tbody> </table>	Setting	Number of Preamble Bytes	0 (000)	2	1 (001)	3	2 (010)	4	3 (011)	6	4 (100)	8	5 (101)	12	6 (110)	16	7 (111)	24
Setting	Number of Preamble Bytes																					
0 (000)	2																					
1 (001)	3																					
2 (010)	4																					
3 (011)	6																					
4 (100)	8																					
5 (101)	12																					
6 (110)	16																					
7 (111)	24																					
3:2	Reserved		R0																			
1:0	CHANSPC_E[1:0]	2 (10)	R/W	Two bit exponent of channel spacing																		

**0x14: MDMCFG0 – Modem Configuration**

BIT	FIELD NAME	RESET	R/W	DESCRIPTION
7:0	CHANSPC_M[7:0]	248 (0xF8)	R/W	8-bit mantissa of channel spacing. The channel spacing is multiplied by the channel number CHAN and added to the base frequency. It is unsigned and has the format: $\Delta f_{\text{CHANNEL}} = \frac{f_{\text{XOSC}}}{2^{18}} \times (256 + \text{CHANSPC\_M}) \times 2^{\text{CHANSPC\_E}}$ The default values give 199.951 kHz channel spacing (the closest setting to 200 kHz), assuming 26-MHz crystal frequency.

**0x15: DEVIATN – Modem Deviation Setting**

BIT	FIELD NAME	RESET	R/W	DESCRIPTION										
7	Reserved		R0											
6:4	DEVIATION_E[2:0]	4 (0x04)	R/W	Deviation exponent										
3	Reserved		R0											
2:0	DEVIATION_M[2:0]	7 (111)	R/W	In TX: <table border="1" style="margin-left: 20px;"> <tbody> <tr> <td>2-FSK/2-GFSK</td> <td>Specifies the nominal frequency deviation from the carrier for a '0' (-DEVIATN) and '1' (+DEVIATN) in a mantissa-exponent format, interpreted as a 4-bit value with MSB implicit 1. The resulting frequency deviation is given by:               <math display="block">f_{\text{dev}} = \frac{f_{\text{XOSC}}}{2^{17}} \times (8 + \text{DEVIATION\_M}) \times 2^{\text{DEVIATION\_E}}</math>               The default values give <math>\pm 47.607</math> kHz deviation, assuming 26-MHz crystal frequency.             </td> </tr> <tr> <td>MSK</td> <td>Specifies the fraction of symbol period (1/8-8/8) during which a phase change occurs ('0': +90deg, '1':-90deg). Refer to the SmartRF Studio software for correct DEVIATN setting when using MSK.</td> </tr> <tr> <td>ASK/OOK</td> <td>This setting has no effect.</td> </tr> </tbody> </table> In RX: <table border="1" style="margin-left: 20px;"> <tbody> <tr> <td>2-FSK/2-GFSK</td> <td>Specifies the expected frequency deviation of incoming signal, must be approximately right for demodulation to be performed reliably and robustly.</td> </tr> <tr> <td>MSK/ASK/OOK</td> <td>This setting has no effect.</td> </tr> </tbody> </table>	2-FSK/2-GFSK	Specifies the nominal frequency deviation from the carrier for a '0' (-DEVIATN) and '1' (+DEVIATN) in a mantissa-exponent format, interpreted as a 4-bit value with MSB implicit 1. The resulting frequency deviation is given by: $f_{\text{dev}} = \frac{f_{\text{XOSC}}}{2^{17}} \times (8 + \text{DEVIATION\_M}) \times 2^{\text{DEVIATION\_E}}$ The default values give $\pm 47.607$ kHz deviation, assuming 26-MHz crystal frequency.	MSK	Specifies the fraction of symbol period (1/8-8/8) during which a phase change occurs ('0': +90deg, '1':-90deg). Refer to the SmartRF Studio software for correct DEVIATN setting when using MSK.	ASK/OOK	This setting has no effect.	2-FSK/2-GFSK	Specifies the expected frequency deviation of incoming signal, must be approximately right for demodulation to be performed reliably and robustly.	MSK/ASK/OOK	This setting has no effect.
2-FSK/2-GFSK	Specifies the nominal frequency deviation from the carrier for a '0' (-DEVIATN) and '1' (+DEVIATN) in a mantissa-exponent format, interpreted as a 4-bit value with MSB implicit 1. The resulting frequency deviation is given by: $f_{\text{dev}} = \frac{f_{\text{XOSC}}}{2^{17}} \times (8 + \text{DEVIATION\_M}) \times 2^{\text{DEVIATION\_E}}$ The default values give $\pm 47.607$ kHz deviation, assuming 26-MHz crystal frequency.													
MSK	Specifies the fraction of symbol period (1/8-8/8) during which a phase change occurs ('0': +90deg, '1':-90deg). Refer to the SmartRF Studio software for correct DEVIATN setting when using MSK.													
ASK/OOK	This setting has no effect.													
2-FSK/2-GFSK	Specifies the expected frequency deviation of incoming signal, must be approximately right for demodulation to be performed reliably and robustly.													
MSK/ASK/OOK	This setting has no effect.													

**0x16: MCSM2 – Main Radio Control State Machine Configuration**

BIT	FIELD NAME	RESET	R/W	DESCRIPTION																																																		
7:5	Reserved		R0	Reserved																																																		
4	RX_TIME_RSSI	0	R/W	Direct RX termination based on RSSI measurement (carrier sense). For ASK/OOK modulation, RX times out if there is no carrier sense in the first 8 symbol periods.																																																		
3	RX_TIME_QUAL	0	R/W	When the RX_TIME timer expires, the radio checks if sync word is found when RX_TIME_QUAL = 0, or either sync word is found or PQI is set when RX_TIME_QUAL = 1.																																																		
2:0	RX_TIME[2:0]	7 (111)	R/W	<p>Timeout for sync word search in RX for both WOR mode and normal RX operation. With RX_TIME = 7 the timeout is disabled. For RX_TIME &lt; 7 the RX timeout (<math>t_{RX\_time}</math>) is a fraction of the programmed EVENT0 timeout (<math>t_{Event0}</math>):</p> $t_{RX\_time} = \frac{t_{Event0}}{2^{(RX\_TIME+3+WOR\_RES)}} = \frac{1}{f_{ACLK}} \times EVENT0 \times \frac{1}{2^{(4 \times WOR\_RES - RX\_TIME - 3)}}$ <p>The RX timeout as a percentage of the EVENT0 timeout (which is equal to the duty cycle using WOR) is approximated by:</p> <table border="1" style="margin-left: 20px;"> <thead> <tr> <th></th> <th colspan="4">WOR_RES</th> </tr> <tr> <th>RX_TIME</th> <th>0</th> <th>1</th> <th>2</th> <th>3</th> </tr> </thead> <tbody> <tr> <td>0 (000)</td> <td>12.50%</td> <td>6.25%</td> <td>3.13%</td> <td>1.56%</td> </tr> <tr> <td>1 (001)</td> <td>6.25%</td> <td>3.13%</td> <td>1.56%</td> <td>0.78%</td> </tr> <tr> <td>2 (010)</td> <td>3.13%</td> <td>1.56%</td> <td>0.78%</td> <td>0.39%</td> </tr> <tr> <td>3 (011)</td> <td>1.56%</td> <td>0.78%</td> <td>0.39%</td> <td>0.20%</td> </tr> <tr> <td>4 (100)</td> <td>0.78%</td> <td>0.39%</td> <td>0.20%</td> <td>0.10%</td> </tr> <tr> <td>5 (101)</td> <td>0.39%</td> <td>0.20%</td> <td>0.10%</td> <td>0.05%</td> </tr> <tr> <td>6 (110)</td> <td>0.20%</td> <td>0.10%</td> <td>0.05%</td> <td>0.024%</td> </tr> <tr> <td>7 (111)</td> <td colspan="4">Timeout disabled.</td> </tr> </tbody> </table> <p><b>Note:</b> WORCTRL.ACLK_PD bit must be reset to 0 to use settings 0-6, because the timeout timer requires ACLK.</p> <p>WOR_RES should be 0 or 1 when using WOR - but WOR_RES &gt; 1 can be used to set longer RX timeouts when not using WOR.</p> <p>The timeout counter resolution is limited: With RX_TIME = 0, the timeout count is given by the 13 MSBs of EVENT0, decreasing to the 7 MSBs of EVENT0 with RX_TIME = 6.</p>		WOR_RES				RX_TIME	0	1	2	3	0 (000)	12.50%	6.25%	3.13%	1.56%	1 (001)	6.25%	3.13%	1.56%	0.78%	2 (010)	3.13%	1.56%	0.78%	0.39%	3 (011)	1.56%	0.78%	0.39%	0.20%	4 (100)	0.78%	0.39%	0.20%	0.10%	5 (101)	0.39%	0.20%	0.10%	0.05%	6 (110)	0.20%	0.10%	0.05%	0.024%	7 (111)	Timeout disabled.			
	WOR_RES																																																					
RX_TIME	0	1	2	3																																																		
0 (000)	12.50%	6.25%	3.13%	1.56%																																																		
1 (001)	6.25%	3.13%	1.56%	0.78%																																																		
2 (010)	3.13%	1.56%	0.78%	0.39%																																																		
3 (011)	1.56%	0.78%	0.39%	0.20%																																																		
4 (100)	0.78%	0.39%	0.20%	0.10%																																																		
5 (101)	0.39%	0.20%	0.10%	0.05%																																																		
6 (110)	0.20%	0.10%	0.05%	0.024%																																																		
7 (111)	Timeout disabled.																																																					

**0x17: MCSM1 – Main Radio Control State Machine Configuration**

BIT	FIELD NAME	RESET	R/W	DESCRIPTION	
7:6	Reserved		R0		
5:4	CCA_MODE[1:0]	3 (11)	R/W	Selects CCA_MODE. Reflected in CCA signal.	
				<b>Setting</b>	<b>Clear Channel Indication</b>
				0 (00)	Always
				1 (01)	If RSSI below threshold
				2 (10)	Unless currently receiving a packet
3 (11)	If RSSI below threshold unless currently receiving a packet				
3:2	RXOFF_MODE[1:0]	0 (00)	R/W	Select what should happen when a packet has been received	
				<b>Setting</b>	<b>Next State After Finishing Packet Reception</b>
				0 (00)	IDLE
				1 (01)	FSTXON
				2 (10)	TX
				3 (11)	Stay in RX
It is not possible to set RXOFF_MODE to be TX or FSTXON and at the same time use CCA.					
1:0	TXOFF_MODE[1:0]	0 (00)	R/W	Select what should happen when a packet has been sent (TX)	
				<b>Setting</b>	<b>Next State After Finishing Packet Transmission</b>
				0 (00)	IDLE
				1 (01)	FSTXON
				2 (10)	Stay in TX (start sending preamble)
3 (11)	RX				

**0x18: MCSM0 - Main Radio Control State Machine Configuration**

BIT	FIELD NAME	RESET	R/W	DESCRIPTION	
7:6	Reserved		R0		
5:4	FS_AUTOCAL[1:0]	0 (00)	R/W	Automatically calibrate when going to RX or TX, or back to IDLE	
				<b>Setting</b>	<b>When To Perform Automatic Calibration</b>
				0 (00)	Never (manually calibrate using SCAL strobe)
				1 (01)	When going from IDLE to RX or TX (or FSTXON)
				2 (10)	When going from RX or TX back to IDLE automatically
3 (11)	Every fourth time when going from RX or TX to IDLE automatically				
In some automatic wake-on-radio (WOR) applications, using setting 3 (11) can significantly reduce current consumption.					
3:2	Reserved		R0		
1	PIN_CTRL_EN	0	R/W	Enables the pin radio control option	
0	XOSC_FORCE_ON	0	R/W	Force the XOSC to stay on in the SLEEP state.	

**0x19: FOCCFG - Frequency Offset Compensation Configuration**

BIT	FIELD NAME	RESET	R/W	DESCRIPTION	
7:6	Reserved		R0		
5	FOC_BS_CS_GATE	1	R/W	If set, the demodulator freezes the frequency offset compensation and clock recovery feedback loops until the CS signal goes high.	
4:3	FOC_PRE_K[1:0]	2 (10)	R/W	The frequency compensation loop gain to be used before a sync word is detected.	
				<b>Setting</b>	<b>Frequency Compensation Loop Gain Before Sync Word</b>
				0 (00)	K
				1 (01)	2K
				2 (10)	3K
3 (11)	4K				
2	FOC_POST_K	1	R/W	The frequency compensation loop gain to be used after a sync word is detected.	
				<b>Setting</b>	<b>Frequency Compensation Loop Gain After Sync Word</b>
				0	Same as FOC_PRE_K
1	K/2				
1:0	FOC_LIMIT[1:0]	2 (10)	R/W	The saturation point for the frequency offset compensation algorithm:	
				<b>Setting</b>	<b>Saturation Point (Maximum Compensated Offset)</b>
				0 (00)	$\pm 0$ (no frequency offset compensation)
				1 (01)	$\pm BW_{\text{CHAN}}/8$
				2 (10)	$\pm BW_{\text{CHAN}}/4$
3 (11)	$\pm BW_{\text{CHAN}}/2$				
Frequency offset compensation is not supported for ASK/OOK. Always use FOC_LIMIT = 0 with these modulation formats.					

**0x1A: BSCFG - Bit Synchronization Configuration**

BIT	FIELD NAME	RESET	R/W	DESCRIPTION	
7:6	BS_PRE_KI[1:0]	1 (01)	R/W	The clock recovery feedback loop integral gain to be used before a sync word is detected (used to correct offsets in data rate):	
				<b>Setting</b>	<b>Clock Recovery Loop Integral Gain Before Sync Word</b>
				0 (00)	$K_I$
				1 (01)	$2K_I$
				3 (11)	$4K_I$
5:4	BS_PRE_KP[1:0]	2 (10)	R/W	The clock recovery feedback loop proportional gain to be used before a sync word is detected.	
				<b>Setting</b>	<b>Clock Recovery Loop Proportional Gain Before Sync Word</b>
				0 (00)	$K_P$
				1 (01)	$2K_P$
				3 (11)	$4K_P$
3	BS_POST_KI	1	R/W	The clock recovery feedback loop integral gain to be used after a sync word is detected.	
				<b>Setting</b>	<b>Clock Recovery Loop Integral Gain After Sync Word</b>
				0	Same as BS_PRE_KI
2	BS_POST_KP	1	R/W	The clock recovery feedback loop proportional gain to be used after a sync word is detected.	
				<b>Setting</b>	<b>Clock Recovery Loop Proportional Gain After Sync Word</b>
				0	Same as BS_PRE_KP
1:0	BS_LIMIT[1:0]	0 (00)	R/W	The saturation point for the data rate offset compensation algorithm:	
				<b>Setting</b>	<b>Data Rate Offset Saturation (Max Data Rate Difference)</b>
				0 (00)	$\pm 0$ (No data rate offset compensation performed)
				1 (01)	$\pm 3.125\%$ data rate offset
				2 (10)	$\pm 6.25\%$ data rate offset
				3 (11)	$\pm 12.5\%$ data rate offset

**0x1B: AGCTRL2 - AGC Control**

BIT	FIELD NAME	RESET	R/W	DESCRIPTION	
7:6	MAX_DVGA_GAIN[1:0]	0 (00)	R/W	Reduces the maximum allowable DVGA gain.	
				<b>Setting</b>	<b>Allowable DVGA Settings</b>
				0 (00)	All gain settings can be used
				1 (01)	The highest gain setting can not be used
				2 (10)	The 2 highest gain settings can not be used
3 (11)	The 3 highest gain settings can not be used				
5:3	MAX_LNA_GAIN[2:0]	0 (000)	R/W	Sets the maximum allowable LNA + LNA 2 gain relative to the maximum possible gain.	
				<b>Setting</b>	<b>Maximum Allowable LNA + LNA 2 Gain</b>
				0 (000)	Maximum possible LNA + LNA 2 gain
				1 (001)	Approximately 2.6 dB below maximum possible gain
				2 (010)	Approximately 6.1 dB below maximum possible gain
				3 (011)	Approximately 7.4 dB below maximum possible gain
				4 (100)	Approximately 9.2 dB below maximum possible gain
				5 (101)	Approximately 11.5 dB below maximum possible gain
6 (110)	Approximately 14.6 dB below maximum possible gain				
7 (111)	Approximately 17.1 dB below maximum possible gain				
2:0	MAGN_TARGET[2:0]	3 (011)	R/W	These bits set the target value for the averaged amplitude from the digital channel filter (1 LSB = 0 dB).	
				<b>Setting</b>	<b>Target Amplitude From Channel Filter</b>
				0 (000)	24 dB
				1 (001)	27 dB
				2 (010)	30 dB
				3 (011)	33 dB
				4 (100)	36 dB
				5 (101)	38 dB
6 (110)	40 dB				
7 (111)	42 dB				



**0x1C: AGCTRL1 - AGC Control**

BIT	FIELD NAME	RESET	R/W	DESCRIPTION	
7	Reserved		R0		
6	AGC_LNA_PRIORITY	1	R/W	Selects between two different strategies for LNA and LNA 2 gain adjustment. When 1, the LNA gain is decreased first. When 0, the LNA 2 gain is decreased to minimum before decreasing LNA gain.	
5:4	CARRIER_SENSE_REL_THR[1:0]	0 (00)	R/W	Sets the relative change threshold for asserting carrier sense	
				<b>Setting</b>	<b>Carrier Sense Relative Threshold</b>
				0 (00)	Relative carrier sense threshold disabled
				1 (01)	6 dB increase in RSSI value
				2 (10)	10 dB increase in RSSI value
3 (11)	14 dB increase in RSSI value				
3:0	CARRIER_SENSE_ABS_THR[3:0]	0 (0000)	R/W	Sets the absolute RSSI threshold for asserting carrier sense. The 2s-complement signed threshold is programmed in steps of 1 dB and is relative to the MAGN_TARGET setting.	
				<b>Setting</b>	<b>Carrier Sense Absolute Threshold</b> (Equal to channel filter amplitude when AGC has not decreased gain)
				-8 (1000)	Absolute carrier sense threshold disabled
				-7 (1001)	7 dB below MAGN_TARGET setting
				:	:
				-1 (1111)	1 dB below MAGN_TARGET setting
				0 (0000)	At MAGN_TARGET setting
				1 (0001)	1 dB above MAGN_TARGET setting
				:	:
				7 (0111)	7 dB above MAGN_TARGET setting

**0x1D: AGCTRL0 - AGC Control**

BIT	FIELD NAME	RESET	R/W	DESCRIPTION		
7:6	HYST_LEVEL[1:0]	2 (10)	R/W	Sets the level of hysteresis on the magnitude deviation (internal AGC signal that determine gain changes).		
				<b>Setting</b>	<b>Description</b>	
				0 (00)	No hysteresis, small symmetric dead zone, high gain	
				1 (01)	Low hysteresis, small asymmetric dead zone, medium gain	
				2 (10)	Medium hysteresis, medium asymmetric dead zone, medium gain	
3 (11)	Large hysteresis, large asymmetric dead zone, low gain					
5:4	WAIT_TIME[1:0]	1 (01)	R/W	Sets the number of channel filter samples from a gain adjustment has been made until the AGC algorithm starts accumulating new samples.		
				<b>Setting</b>	<b>Channel Filter Samples</b>	
				0 (00)	8	
				1 (01)	16	
				2 (10)	24	
3 (11)	32					
3:2	AGC_FREEZE[1:0]	0 (00)	R/W	Controls when the AGC gain should be frozen.		
				<b>Setting</b>	<b>Function</b>	
				0 (00)	Normal operation. Always adjust gain when required.	
				1 (01)	The gain setting is frozen when a sync word has been found.	
				2 (10)	Manually freeze the analog gain setting and continue to adjust the digital gain.	
3 (11)	Manually freezes both the analog and the digital gain setting. Used for manually overriding the gain.					
1:0	FILTER_LENGTH[1:0]	1 (01)	R/W	Sets the averaging length for the amplitude from the channel filter. Sets the OOK/ASK decision boundary for OOK/ASK reception.		
				<b>Setting</b>	<b>Channel Filter Samples</b>	<b>OOK Decision</b>
				0 (00)	8	4 dB
				1 (01)	16	8 dB
				2 (10)	32	12 dB
3 (11)	64	16 dB				

**0x1E: WOREVT1 - High Byte Event0 Timeout**

BIT	FIELD NAME	RESET	R/W	DESCRIPTION
7:0	EVENT0[15:8]	128 (0x80)	R/W	High byte of EVENT0 timeout register $t_{Event0} = 1/f_{ACLK} \times EVENT0 \times 2^{5 \times WOR\_RES}$

**0x1F: WOREVT0 - Low Byte Event0 Timeout**

BIT	FIELD NAME	RESET	R/W	DESCRIPTION
7:0	EVENT0[7:0]	0 (0x00)	R/W	Low byte of EVENT0 timeout register. The default EVENT0 value gives 1 second timeout, assuming $f_{ACLK}=32\text{kHz}$ .

**0x20: WORCTRL - Wake On Radio Control**

BIT	FIELD NAME	RESET	R/W	DESCRIPTION																		
7	ACLK_PD	1	R/W	ACLK input power down signal. Set to 1 the ACLK input to the WOR timer is disabled, reset to 0 the ACLK input is enabled and ACLK is provided to the WOR and RX Timeout timers.																		
6:4	EVENT1[2:0]	7 (111)	R/W	Timeout setting from register block. Decoded to Event 1 timeout. The following table lists the number of clock periods after Event 0 before Event 1 times out assuming $f_{ACLK} = 32\text{kHz}$ . <table border="1" data-bbox="755 430 1234 714"> <thead> <tr> <th>Setting</th> <th>tEvent1</th> </tr> </thead> <tbody> <tr><td>0 (000)</td><td>4 (0.122 ms)</td></tr> <tr><td>1 (001)</td><td>6 (0.183 ms)</td></tr> <tr><td>2 (010)</td><td>8 (0.244 ms)</td></tr> <tr><td>3 (011)</td><td>12 (0.366 ms)</td></tr> <tr><td>4 (100)</td><td>16 (0.488 ms)</td></tr> <tr><td>5 (101)</td><td>24 (0.732 ms)</td></tr> <tr><td>6 (110)</td><td>32 (0.977 ms)</td></tr> <tr><td>7 (111)</td><td>48 (1.465 ms)</td></tr> </tbody> </table>	Setting	tEvent1	0 (000)	4 (0.122 ms)	1 (001)	6 (0.183 ms)	2 (010)	8 (0.244 ms)	3 (011)	12 (0.366 ms)	4 (100)	16 (0.488 ms)	5 (101)	24 (0.732 ms)	6 (110)	32 (0.977 ms)	7 (111)	48 (1.465 ms)
Setting	tEvent1																					
0 (000)	4 (0.122 ms)																					
1 (001)	6 (0.183 ms)																					
2 (010)	8 (0.244 ms)																					
3 (011)	12 (0.366 ms)																					
4 (100)	16 (0.488 ms)																					
5 (101)	24 (0.732 ms)																					
6 (110)	32 (0.977 ms)																					
7 (111)	48 (1.465 ms)																					
3	Reserved		R1																			
2	Reserved		R0																			
1:0	WOR_RES	0 (00)	R/W	Controls the Event 0 resolution as well as maximum timeout of the WOR module and maximum timeout under normal RX operation:: <table border="1" data-bbox="755 840 1469 1060"> <thead> <tr> <th>Setting</th> <th>Resolution (1 LSB)</th> <th>Maximum Timeout</th> </tr> </thead> <tbody> <tr> <td>0 (00)</td> <td>1 period (~30 <math>\mu\text{s}</math>, <math>f_{ACLK} = 32\text{kHz}</math>)</td> <td>2 seconds</td> </tr> <tr> <td>1 (01)</td> <td><math>2^5</math> periods (~977 <math>\mu\text{s}</math>, <math>f_{ACLK} = 32\text{kHz}</math>)</td> <td>64 seconds</td> </tr> <tr> <td>2 (10)</td> <td><math>2^{10}</math> periods (~31 ms, <math>f_{ACLK} = 32\text{kHz}</math>)</td> <td>34 minutes</td> </tr> <tr> <td>3 (11)</td> <td><math>2^{15}</math> periods (1 s, <math>f_{ACLK} = 32\text{kHz}</math>)</td> <td>18.2 hours</td> </tr> </tbody> </table> <p><b>Note:</b> WOR_RES should be 0 or 1 when using WOR, because WOR_RES &gt; 1 results in a very low duty cycle.</p> <p>In normal RX operation all settings of WOR_RES can be used.</p>	Setting	Resolution (1 LSB)	Maximum Timeout	0 (00)	1 period (~30 $\mu\text{s}$ , $f_{ACLK} = 32\text{kHz}$ )	2 seconds	1 (01)	$2^5$ periods (~977 $\mu\text{s}$ , $f_{ACLK} = 32\text{kHz}$ )	64 seconds	2 (10)	$2^{10}$ periods (~31 ms, $f_{ACLK} = 32\text{kHz}$ )	34 minutes	3 (11)	$2^{15}$ periods (1 s, $f_{ACLK} = 32\text{kHz}$ )	18.2 hours			
Setting	Resolution (1 LSB)	Maximum Timeout																				
0 (00)	1 period (~30 $\mu\text{s}$ , $f_{ACLK} = 32\text{kHz}$ )	2 seconds																				
1 (01)	$2^5$ periods (~977 $\mu\text{s}$ , $f_{ACLK} = 32\text{kHz}$ )	64 seconds																				
2 (10)	$2^{10}$ periods (~31 ms, $f_{ACLK} = 32\text{kHz}$ )	34 minutes																				
3 (11)	$2^{15}$ periods (1 s, $f_{ACLK} = 32\text{kHz}$ )	18.2 hours																				

**0x21: FREND1 - Front End RX Configuration**

BIT	FIELD NAME	RESET	R/W	DESCRIPTION
7:6	LNA_CURRENT[1:0]	1 (01)	R/W	Adjusts front-end LNA PTAT current output
5:4	LNA2MIX_CURRENT[1:0]	1 (01)	R/W	Adjusts front-end PTAT outputs
3:2	LODIV_BUF_CURRENT_RX[1:0]	1 (01)	R/W	Adjusts current in RX LO buffer (LO input to mixer)
1:0	MIX_CURRENT[1:0]	2 (10)	R/W	Adjusts current in mixer

**0x22: FREND0 - Front End TX Configuration**

BIT	FIELD NAME	RESET	R/W	DESCRIPTION
7:6	Reserved		R0	
5:4	LODIV_BUF_CURRENT_TX[1:0]	1 (0x01)	R/W	Adjusts current TX LO buffer (input to PA). The value to use in this field is given by the SmartRF Studio software.
3	Reserved		R0	
2:0	PA_POWER[2:0]	0 (0x00)	R/W	Selects PA power setting. This value is an index to the PATABLE, which can be programmed with up to 8 different PA settings. In OOK/ASK mode, this selects the PATABLE index to use when transmitting a 1. PATABLE index zero is used in OOK/ASK when transmitting a 0. The PATABLE settings from index 0 to the PA_POWER value are used for ASK TX shaping, and for power ramp-up/ramp-down at the start/end of transmission in all TX modulation formats.

**0x23: FSCAL3 - Frequency Synthesizer Calibration**

BIT	FIELD NAME	RESET	R/W	DESCRIPTION
7:6	FSCAL3[7:6]	2 (0x02)	R/W	Frequency synthesizer calibration configuration. The value to write in this field before calibration is given by the SmartRF Studio software.
5:4	CHP_CURR_CAL_EN[1:0]	2 (0x02)	R/W	Enable charge pump calibration stage when 1
3:0	FSCAL3[3:0]	9 (1001)	R/W	Frequency synthesizer calibration result register. Digital bit vector defining the charge pump output current, on an exponential scale: $I_{OUT} = I_0 \times 2^{FSCAL3[3:0]/4}$ Fast frequency hopping without calibration for each hop can be done by calibrating earlier for each frequency and saving the resulting FSCAL3, FSCAL2, and FSCAL1 register values. Between each frequency hop, calibration can be replaced by writing the FSCAL3, FSCAL2, and FSCAL1 register values corresponding to the next RF frequency.

**0x24: FSCAL2 - Frequency Synthesizer Calibration**

BIT	FIELD NAME	RESET	R/W	DESCRIPTION
7:6	Reserved		R0	
5	VCO_CORE_H_EN	0	R/W	Choose high (1) / low (0) VCO
4:0	FSCAL2[4:0]	10 (0x0A)	R/W	Frequency synthesizer calibration result register. VCO current calibration result and override value. Fast frequency hopping without calibration for each hop can be done by calibrating earlier for each frequency and saving the resulting FSCAL3, FSCAL2, and FSCAL1 register values. Between each frequency hop, calibration can be replaced by writing the FSCAL3, FSCAL2, and FSCAL1 register values corresponding to the next RF frequency.

**0x25: FSCAL1 - Frequency Synthesizer Calibration**

BIT	FIELD NAME	RESET	R/W	DESCRIPTION
7:6	Reserved		R0	
5:0	FSCAL1[5:0]	32 (0x20)	R/W	Frequency synthesizer calibration result register. Capacitor array setting for VCO coarse tuning. Fast frequency hopping without calibration for each hop can be done by calibrating earlier for each frequency and saving the resulting FSCAL3, FSCAL2, and FSCAL1 register values. Between each frequency hop, calibration can be replaced by writing the FSCAL3, FSCAL2, and FSCAL1 register values corresponding to the next RF frequency.

**0x26: FSCAL0 - Frequency Synthesizer Calibration**

BIT	FIELD NAME	RESET	R/W	DESCRIPTION
7	Reserved		R0	
6:0	FSCAL0[6:0]	13 (0x0D)	R/W	Frequency synthesizer calibration control. The value to use in this register is given by the SmartRF Studio software.

**0x29: FSTEST - Frequency Synthesizer Calibration Control**

BIT	FIELD NAME	RESET	R/W	DESCRIPTION
7:0	FSTEST[7:0]	89 (0x59)	R/W	For test only. Do not write to this register.

**0x2A: PTEST - Production Test**

BIT	FIELD NAME	RESET	R/W	DESCRIPTION
7:0	PTEST[7:0]	127 (0x7F)	R/W	For test only. Do not write to this register.

**0x2B: AGCTEST - AGC Test**

BIT	FIELD NAME	RESET	R/W	DESCRIPTION
7:0	AGCTEST[7:0]	63 (0x3F)	R/W	For test only. Do not write to this register.

**0x2C: TEST2 - Various Test Settings**

BIT	FIELD NAME	RESET	R/W	DESCRIPTION
7:0	TEST2[7:0]	136 (0x88)	R/W	The value to use in this register is given by the SmartRF Studio software. This register is forced to 0x88 or 0x81 when it wakes up from SLEEP mode, depending on the configuration of FIFOTHR. ADC_RETENTION. Note that the value read from this register when waking up from SLEEP always is the reset value (0x88) regardless of the ADC_RETENTION setting. The inverting of some of the bits due to the ADC_RETENTION setting is only seen INTERNALLY in the analog part.

**0x2D: TEST1 - Various Test Settings**

BIT	FIELD NAME	RESET	R/W	DESCRIPTION
7:0	TEST1[7:0]	49 (0x31)	R/W	The value to use in this register is given by the SmartRF Studio software. This register is forced to 0x31 or 0x35 when it wakes up from SLEEP mode, depending on the configuration of FIFOTHR. ADC_RETENTION. Note that the value read from this register when waking up from SLEEP always is the reset value (0x31) regardless of the ADC_RETENTION setting. The inverting of some of the bits due to the ADC_RETENTION setting is only seen INTERNALLY in the analog part.

**0x2E: TEST0 - Various Test Settings**

BIT	FIELD NAME	RESET	R/W	DESCRIPTION
7:2	TEST0[7:2]	2 (0x02)	R/W	The value to use in this register is given by the SmartRF Studio software.
1	VCO_SEL_CAL_EN	1	R/W	Enable VCO selection calibration stage when 1
0	TEST0[0]	1	R/W	The value to use in this register is given by the SmartRF Studio software.

**Radio Core Status Register Details****0x30 (0xF0): PARTNUM - Chip ID**

BIT	FIELD NAME	RESET	R/W	DESCRIPTION
7:0	PARTNUM[7:0]	0 (0x00)	R	Chip part number

**0x31 (0xF1): VERSION - Chip ID**

BIT	FIELD NAME	RESET	R/W	DESCRIPTION
7:0	VERSION[7:0]	6 (0x06)	R	Chip version number

**0x32 (0xF2): FREQEST - Frequency Offset Estimate From Demodulator**

BIT	FIELD NAME	RESET	R/W	DESCRIPTION
7:0	FREQOFF_EST		R	The estimated frequency offset (2s complement) of the carrier. Resolution is $f_{XTAL}/2^{14}$ (1.59 to 1.65 kHz). Range is $\pm 202$ kHz to $\pm 210$ kHz, dependent on XTAL frequency. Frequency offset compensation is only supported for 2-FSK, 2-GFSK, and MSK modulation. This register reads 0 when using ASK or OOK modulation.

**0x33 (0xF3): LQI - Demodulator Estimate for Link Quality**

BIT	FIELD NAME	RESET	R/W	DESCRIPTION
7	CRC OK		R	The last CRC comparison matched. Cleared when entering/restarting RX mode.
6:0	LQI_EST[6:0]		R	The Link Quality Indicator estimates how easily a received signal can be demodulated. Calculated over the 64 symbols following the sync word.

**0x34 (0xF4): RSSI - Received Signal Strength Indication**

BIT	FIELD NAME	RESET	R/W	DESCRIPTION
7:0	RSSI		R	Received signal strength indicator

**0x35 (0xF5): MARCSTATE - Main Radio Control State Machine State**

BIT	FIELD NAME	RESET	R/W	DESCRIPTION																																																																								
7:5	Reserved		R0																																																																									
4:0	MARC_STATE[4:0]		R	Main radio control FSM state																																																																								
				<table border="1"> <thead> <tr> <th>Value</th> <th>State Name</th> <th>State (see <a href="#">Figure 19-9</a>)</th> </tr> </thead> <tbody> <tr><td>0 (0x00)</td><td>SLEEP</td><td>SLEEP</td></tr> <tr><td>1 (0x01)</td><td>IDLE</td><td>IDLE</td></tr> <tr><td>2 (0x02)</td><td>XOFF</td><td>XOFF</td></tr> <tr><td>3 (0x03)</td><td>VCOON_MC</td><td>MANCAL</td></tr> <tr><td>4 (0x04)</td><td>REGON_MC</td><td>MANCAL</td></tr> <tr><td>5 (0x05)</td><td>MANCAL</td><td>MANCAL</td></tr> <tr><td>6 (0x06)</td><td>VCOON</td><td>FS_WAKEUP</td></tr> <tr><td>7 (0x07)</td><td>REGON</td><td>FS_WAKEUP</td></tr> <tr><td>8 (0x08)</td><td>STARTCAL</td><td>CALIBRATE</td></tr> <tr><td>9 (0x09)</td><td>BWBOOST</td><td>SETTLING</td></tr> <tr><td>10 (0x0A)</td><td>FS_LOCK</td><td>SETTLING</td></tr> <tr><td>11 (0x0B)</td><td>IFADCON</td><td>SETTLING</td></tr> <tr><td>12 (0x0C)</td><td>ENDCAL</td><td>CALIBRATE</td></tr> <tr><td>13 (0x0D)</td><td>RX</td><td>RX</td></tr> <tr><td>14 (0x0E)</td><td>RX_END</td><td>RX</td></tr> <tr><td>15 (0x0F)</td><td>RX_RST</td><td>RX</td></tr> <tr><td>16 (0x10)</td><td>TXRX_SWITCH</td><td>TXRX_SETTLING</td></tr> <tr><td>17 (0x11)</td><td>RXFIFO_OVERFLOW</td><td>RXFIFO_OVERFLOW</td></tr> <tr><td>18 (0x12)</td><td>FSTXON</td><td>FSTXON</td></tr> <tr><td>19 (0x13)</td><td>TX</td><td>TX</td></tr> <tr><td>20 (0x14)</td><td>TX_END</td><td>TX</td></tr> <tr><td>21 (0x15)</td><td>RXTX_SWITCH</td><td>RXTX_SETTLING</td></tr> <tr><td>22 (0x16)</td><td>TXFIFO_UNDERFLOW</td><td>TXFIFO_UNDERFLOW</td></tr> </tbody> </table>	Value	State Name	State (see <a href="#">Figure 19-9</a> )	0 (0x00)	SLEEP	SLEEP	1 (0x01)	IDLE	IDLE	2 (0x02)	XOFF	XOFF	3 (0x03)	VCOON_MC	MANCAL	4 (0x04)	REGON_MC	MANCAL	5 (0x05)	MANCAL	MANCAL	6 (0x06)	VCOON	FS_WAKEUP	7 (0x07)	REGON	FS_WAKEUP	8 (0x08)	STARTCAL	CALIBRATE	9 (0x09)	BWBOOST	SETTLING	10 (0x0A)	FS_LOCK	SETTLING	11 (0x0B)	IFADCON	SETTLING	12 (0x0C)	ENDCAL	CALIBRATE	13 (0x0D)	RX	RX	14 (0x0E)	RX_END	RX	15 (0x0F)	RX_RST	RX	16 (0x10)	TXRX_SWITCH	TXRX_SETTLING	17 (0x11)	RXFIFO_OVERFLOW	RXFIFO_OVERFLOW	18 (0x12)	FSTXON	FSTXON	19 (0x13)	TX	TX	20 (0x14)	TX_END	TX	21 (0x15)	RXTX_SWITCH	RXTX_SETTLING	22 (0x16)	TXFIFO_UNDERFLOW	TXFIFO_UNDERFLOW
Value	State Name	State (see <a href="#">Figure 19-9</a> )																																																																										
0 (0x00)	SLEEP	SLEEP																																																																										
1 (0x01)	IDLE	IDLE																																																																										
2 (0x02)	XOFF	XOFF																																																																										
3 (0x03)	VCOON_MC	MANCAL																																																																										
4 (0x04)	REGON_MC	MANCAL																																																																										
5 (0x05)	MANCAL	MANCAL																																																																										
6 (0x06)	VCOON	FS_WAKEUP																																																																										
7 (0x07)	REGON	FS_WAKEUP																																																																										
8 (0x08)	STARTCAL	CALIBRATE																																																																										
9 (0x09)	BWBOOST	SETTLING																																																																										
10 (0x0A)	FS_LOCK	SETTLING																																																																										
11 (0x0B)	IFADCON	SETTLING																																																																										
12 (0x0C)	ENDCAL	CALIBRATE																																																																										
13 (0x0D)	RX	RX																																																																										
14 (0x0E)	RX_END	RX																																																																										
15 (0x0F)	RX_RST	RX																																																																										
16 (0x10)	TXRX_SWITCH	TXRX_SETTLING																																																																										
17 (0x11)	RXFIFO_OVERFLOW	RXFIFO_OVERFLOW																																																																										
18 (0x12)	FSTXON	FSTXON																																																																										
19 (0x13)	TX	TX																																																																										
20 (0x14)	TX_END	TX																																																																										
21 (0x15)	RXTX_SWITCH	RXTX_SETTLING																																																																										
22 (0x16)	TXFIFO_UNDERFLOW	TXFIFO_UNDERFLOW																																																																										

**0x36 (0xF6): WORTIME1 - High Byte of WOR Time**

BIT	FIELD NAME	RESET	R/W	DESCRIPTION
7:0	TIME[15:8]		R	High byte of timer value in WOR module

**0x37 (0xF7): WORTIME0 - Low Byte of WOR Time**

BIT	FIELD NAME	RESET	R/W	DESCRIPTION
7:0	TIME[7:0]		R	Low byte of timer value in WOR module

**0x38 (0xF8): PKTSTATUS - Current GDOx Status and Packet Status**

BIT	FIELD NAME	RESET	R/W	DESCRIPTION
7	CRC_OK		R	The last CRC comparison matched. Cleared when entering/restarting RX mode.
6	CS		R	Carrier sense
5	PQT_REACHED		R	Preamble Quality reached
4	CCA		R	Channel is clear
3	SFD		R	Sync word found. Asserted when sync word has been sent / received, and de-asserted at the end of the packet. In RX, this bit will de-assert when the optional address check fails or the radio enter RX_OVERFLOW state. In TX this bit will de-assert if the radio enters TX_UNDERFLOW state.
2	GDO2		R	Current GDO2 value. Note: the reading gives the non-inverted value irrespective of what IOCFG2.GDO2_INV is programmed to. It is not recommended to check for PLL lock by reading PKTSTATUS[2] with GDO2_CFG = 0x0A.
1	Reserved		R0	
0	GDO0		R	Current GDO0 value. Note: Gives the noninverted value, regardless of the IOCFG0.GDO0_INV setting. It is not recommended to check for PLL lock by reading PKTSTATUS[0] with GDO0_CFG = 0x0A.

**0x39 (0xF9): VCO\_VC\_DAC - Current Setting from PLL Calibration Module**

BIT	FIELD NAME	RESET	R/W	DESCRIPTION
7:0	VCO_VC_DAC[7:0]		R	Status register for test only

**0x3A (0xFA): TXBYTES - Underflow and Number of Bytes**

BIT	FIELD NAME	RESET	R/W	DESCRIPTION
7	TXFIFO_UNDERFLOW		R	
6:0	NUM_TXBYTES		R	Number of bytes in TX FIFO

**0x3B (0xFB): RXBYTES - Overflow and Number of Bytes**

BIT	FIELD NAME	RESET	R/W	DESCRIPTION
7	RXFIFO_OVERFLOW		R	
6:0	NUM_RXBYTES		R	Number of bytes in RX FIFO



## 19.4 Radio Interface Registers

The radio module registers are listed in [Table 19-23](#).

**Table 19-23. Radio Module Registers**

Register	Short Form	Register Type	Address Offset	Initial State
Radio interface control register 0	RF1AIFCTL0	Read/write-Word	000h	Reset with PUC
Radio interface control register 1	RF1AIFCTL1	Read/write-Word	002h	Reset with PUC
Radio interface interrupt flag register	RF1AIFIFG	Read/write-Byte	002h	Reset with PUC
Radio interface interrupt enable register	RF1AIFIE	Read/write-Byte	003h	Reset with PUC
Reserved	RF1AIFCTL2	Read/write-Word	004h	Reset with PUC
(Radio interface control register 2)				
Radio interface error flag register	RF1AIFERR	Read/write-Word	006h	Reset with PUC
Reserved			008h	Reset with PUC
Reserved			00Ah	Reset with PUC
Radio interface error vector word register	RF1AIFERRV	Read/write-Word	00Ch	Reset with PUC
Radio interface interrupt vector word register	RF1AIFIV	Read/write-Word	00Eh	Reset with PUC
Radio instruction word register	RF1AINSTRW	Read/write-Word	010h	Reset with PUC
Radio byte data in register	RF1ADINB	Read/write-Byte	010h	Reset with PUC
Radio instruction byte register	RF1AINSTRB	Read/write-Byte	011h	Reset with PUC
Radio instruction word register with 1-byte auto-read (low-byte ignored)	RF1AINSTR1W	Read/write-Word	012h	Reset with PUC
Any write is ignored. Always reads 0.		Read/write-Byte	012h	Reset with PUC
Radio instruction byte register with 1-byte auto-read	RF1AINSTR1B	Read/write-Byte	013h	Reset with PUC
Radio instruction word register with 2-byte auto-read (low-byte ignored)	RF1AINSTR2W	Read/write-Word	014h	Reset with PUC
Any write is ignored. Always reads 0.		Read/write-Byte	014h	Reset with PUC
Radio instruction byte register with 2-byte auto-read	RF1AINSTR2B	Read/write-Byte	015h	Reset with PUC
Radio word data in register	RF1ADINW	Read/write-Word	016h	Reset with PUC
Reserved			018h	Reset with PUC
Reserved			01Ah	Reset with PUC
Reserved			01Ch	Reset with PUC
Reserved			01Eh	Reset with PUC
Radio status word register without auto-read	RF1ASTATW (alias: RF1ASTAT0W)	Read/write-Word	020h	Reset with PUC
Radio byte data out register without auto-read	RF1ADOUTB (alias: RF1ADOUT0B)	Read/write-Byte	020h	Reset with PUC
Radio status byte register without auto-read	RF1ASTATB (alias: RF1ASTAT0B)	Read/write-Byte	021h	Reset with PUC
Radio status word register with 1-byte auto-read	RF1ASTAT1W	Read/write-Word	022h	Reset with PUC
Radio byte data out register with 1-byte auto-read	RF1ADOUT1B	Read/write-Byte	022h	Reset with PUC
Radio status byte register with 1-byte auto-read	RF1ASTAT1B	Read/write-Byte	023h	Reset with PUC
Radio status word register with 2-byte auto-read	RF1ASTAT2W	Read/write-Word	024h	Reset with PUC
Radio byte data out register with 2-byte auto-read	RF1ADOUT2B	Read/write-Byte	024h	Reset with PUC
Radio status byte register with 2-byte auto-read	RF1ASTAT2B	Read/write-Byte	025h	Reset with PUC
Reserved			026h	Reset with PUC
Radio core word data out register without auto-read	RF1ADOUTW (alias: RF1ADOUT0W)	Read/write-Word	028h	Reset with PUC

**Table 19-23. Radio Module Registers (continued)**

Register	Short Form	Register Type	Address Offset	Initial State
Radio core word data out register with 1-byte auto-read	RF1ADOUT1W	Read/write-Word	02Ah	Reset with PUC
Radio core word data out register with 2-byte auto-read	RF1ADOUT2W	Read/write-Word	02Ch	Reset with PUC
Reserved			02Eh	Reset with PUC
Radio core signal input register	RF1AIN	Read/write-Word	030h	Reset with PUC
Radio core interrupt flag register	RF1AIFG	Read/write-Word	032h	Reset with PUC
Radio core interrupt edge select register	RF1AIES	Read/write-Word	034h	Reset with PUC
Radio core interrupt enable register	RF1AIE	Read/write-Word	036h	Reset with PUC
Radio core interrupt vector word register	RF1AIV	Read/write-Word	038h	Reset with PUC
Reserved			03Ah	Reset with PUC
Direct receive FIFO access register	RF1ARXFIFO	Read/write-Byte	03Ch	Reset with PUC
Direct transmit FIFO access register	RF1ATXFIFO	Read/write-Byte	03Eh	Reset with PUC



**RF1AIFCTL0, Radio Interface Control Register 0**

15	14	13	12	11	10	9	8
<b>Reserved</b>							
r0	r0	r0	r0	r0	r0	r0	r0
7	6	5	4	3	2	1	0
<b>Reserved</b>						<b>RFENDIAN</b>	<b>Reserved</b>
r0	r0	r0	r0	r0	r0	rw-0	rw-0

<b>Reserved</b>	Bits 15-2	Reserved
<b>RFENDIAN</b>	Bit 1	Disable endianness conversion
		0      MSP430 little-endian words and double-words are converted to the endianness of the radio core (CC1101: big-endian).
		1      Word and double-words are not converted.
<b>Reserved</b>	Bit 0	Reserved

**RF1AIFCTL1, Radio Interface Control Register 1**

15	14	13	12	11	10	9	8
<b>RFDOUTIE</b>	<b>RFSTATIE</b>	<b>RFDINIE</b>	<b>RFINSTRIE</b>	<b>Reserved</b>	<b>RFERRIE</b>	<b>RFTXIE</b>	<b>RFRXIE</b>
rw-0	rw-0	rw-0	rw-0		rw-0	rw-0	rw-0
7	6	5	4	3	2	1	0
<b>RFDOUTIFG</b>	<b>RFSTATIFG</b>	<b>RFDINIFG</b>	<b>RFINSTRIFG</b>	<b>Reserved</b>	<b>RFERRIFG</b>	<b>RFTXIFG</b>	<b>RFRXIFG</b>
rw-0	rw-0	rw-0	rw-0	r0	r-0	rw-0	rw-0

<b>RFDOUTIE</b>	Bit 15	Radio interface data out interrupt enable 0 Interrupt disabled 1 Interrupt enabled
<b>RFSTATIE</b>	Bit 14	Radio interface status interrupt enable 0 Interrupt disabled 1 Interrupt enabled
<b>RFDINIE</b>	Bit 13	Radio interface data in interrupt enable 0 Interrupt disabled 1 Interrupt enabled
<b>RFINSTRIE</b>	Bit 12	Radio interface instruction interrupt enable 0 Interrupt disabled 1 Interrupt enabled
<b>Reserved</b>	Bit 11	Reserved
<b>RFERRIE</b>	Bit 10	Radio interface error interrupt enable 0 Interrupt disabled 1 Interrupt enabled
<b>RFTXIE</b>	Bit 9	Radio interface direct FIFO access transmit interrupt enable 0 Interrupt disabled 1 Interrupt enabled
<b>RFRXIE</b>	Bit 8	Radio interface direct FIFO access receive interrupt enable 0 Interrupt disabled 1 Interrupt enabled
<b>RFDOUTIFG</b>	Bit 7	Radio interface data out interrupt flag 0 No interrupt pending 1 Interrupt pending
<b>RFSTATIFG</b>	Bit 6	Radio interface status interrupt flag 0 No interrupt pending 1 Interrupt pending
<b>RFDINIFG</b>	Bit 5	Radio interface data in interrupt flag 0 No interrupt pending 1 Interrupt pending
<b>RFINSTRIFG</b>	Bit 4	Radio interface instruction interrupt flag 0 No interrupt pending 1 Interrupt pending
<b>Reserved</b>	Bit 3	Reserved
<b>RFERRIFG</b>	Bit 2	Radio interface error interrupt flag. The error interrupt flag is set as long as one of the error flags is set. It is automatically cleared when all error flags are cleared. 0 No interrupt pending 1 Interrupt pending
<b>RFTXIFG</b>	Bit 1	Radio interface direct FIFO access transmit interrupt flag 0 No interrupt pending 1 Interrupt pending

<b>RFRXIFG</b>	Bit 0	Radio interface direct FIFO access receive interrupt flag
		0 No interrupt pending
		1 Interrupt pending

**RF1AIFERR, Radio Interface Error Flag Register**

15	14	13	12	11	10	9	8
<b>Reserved</b>							
r0	r0	r0	r0	r0	r0	r0	r0
7	6	5	4	3	2	1	0
<b>Reserved</b>				<b>OPOVERR</b>	<b>OUTERR</b>	<b>OPERR</b>	<b>LVERR</b>
r0	r0	r0	r0	rw-0	rw-0	rw-0	rw-0

<b>Reserved</b>	Bits 15-5	Reserved
<b>OPOVERR</b>	Bit 3	Operand overwrite error flag
		0 No error occurred
		1 Error occurred
<b>OUTERR</b>	Bit 2	Output data not available error flag
		0 No error occurred
		1 Error occurred
<b>OPERR</b>	Bit 1	Operand error flag
		0 No error occurred
		1 Error occurred
<b>LVERR</b>	Bit 0	Low core voltage error flag
		0 No error occurred
		1 Error occurred

**RF1AIFERRV, Radio Interface Error Vector Register**

15	14	13	12	11	10	9	8
<b>0</b>	<b>0</b>	<b>0</b>	<b>0</b>	<b>0</b>	<b>0</b>	<b>0</b>	<b>0</b>
r0	r0	r0	r0	r0	r0	r0	r0
7	6	5	4	3	2	1	0
<b>0</b>	<b>0</b>	<b>RF1AIFERRVx</b>				<b>0</b>	<b>0</b>
r0	r0	r-(0)	r-(0)	r-(0)	r-(0)	r-(0)	r0

**RF1AIFERRVx** Bits 15-0 Radio interface error vector value

RF1AIFERRV Contents	Error Source	Error Flag	Error Priority
00h	No error	–	
02h	Low core voltage error	LVERR	Highest
04h	Operand error	OPERR	
06h	Output data not available error	OUTERR	
08h	Operand overwrite error	OPOVERR	Lowest

**RF1AIFIV, Radio Interface Interrupt Vector Register**

15	14	13	12	11	10	9	8	
0	0	0	0	0	0	0	0	
r0	r0	r0	r0	r0	r0	r0	r0	
7	6	5	4	3	2	1	0	
0	0	<b>RF1AIFIVx</b>						0
r0	r0	r-(0)	r-(0)	r-(0)	r-(0)	r-(0)	r0	

**RF1AIFIVx**      Bits 15-0      Radio interface interrupt vector value

<b>RF1AIFIV Contents</b>	<b>Interrupt Source</b>	<b>Interrupt Flag</b>	<b>Interrupt Priority</b>
00h	No interrupt pending	–	
02h	Radio interface error	RFERRIFG	Highest
04h	Radio interface data out	RFDOUTIFG	
06h	Radio interface status out	RFSTATIFG	
08h	Radio interface data in	RFDINIFG	
0Ah	Radio interface instruction in	RFINSTRIFG	
0Ch	Radio direct FIFO RX	RFRXIFG	
0Eh	Radio direct FIFO TX	RFTXIFG	Lowest

**RF1AIN, Radio Core Signal Input Register**

15	14	13	12	11	10	9	8
<b>RFINx</b>							
r	r	r	r	r	r	r	r
7	6	5	4	3	2	1	0
<b>RFINx</b>							
r	r	r	r	r	r	r	r

**RFINx**      Bits 15-0      Radio core signal input

0      Current state of signal is low.

1      Current state of signal is high.

**RF1AIFG, Radio Core Interrupt Flag Register**

15	14	13	12	11	10	9	8
<b>RFIFGx</b>							
rw-0	rw-0	rw-0	rw-0	rw-0	rw-0	rw-0	rw-0
7	6	5	4	3	2	1	0
<b>RFIFGx</b>							
rw-0	rw-0	rw-0	rw-0	rw-0	rw-0	rw-0	rw-0

**RFIFGx**      Bits 15-0      Radio core interrupt flags

0      No interrupt pending

1      Interrupt pending



**RF1AIV, Radio Core Interrupt Vector Register**

15	14	13	12	11	10	9	8	
0	0	0	0	0	0	0	0	
r0	r0	r0	r0	r0	r0	r0	r0	
7	6	5	4	3	2	1	0	
0	0	RF1AIVx						0
r0	r0	r-(0)	r-(0)	r-(0)	r-(0)	r-(0)	r0	

**RF1AIVx**

Bits 15-0 Radio core interrupt vector value

RF1AIV Contents	Interrupt Source	Interrupt Flag	Interrupt Priority
00h	No interrupt pending	–	
02h	Radio core signal 0	RFIFG0	Highest
04h	Radio core signal 1	RFIFG1	
06h	Radio core signal 2	RFIFG2	
08h	Radio core signal 3	RFIFG3	
0Ah	Radio core signal 4	RFIFG4	
0Ch	Radio core signal 5	RFIFG5	
0Eh	Radio core signal 6	RFIFG6	
10h	Radio core signal 7	RFIFG7	
12h	Radio core signal 8	RFIFG8	
14h	Radio core signal 9	RFIFG9	
16h	Radio core signal 10	RFIFG10	
18h	Radio core signal 11	RFIFG11	
1Ah	Radio core signal 12	RFIFG12	
1Ch	Radio core signal 13	RFIFG13	
1Eh	Radio core signal 14	RFIFG14	
20h	Radio core signal 15	RFIFG15	Lowest



The REF module is a general purpose reference system that is used to generate voltage references required for other subsystems available on a given device such as digital-to-analog converters, analog-to-digital converters, comparators, etc. This chapter describes the REF module.

## 20.1 REF Introduction

The reference module (REF) is responsible for generation of all critical reference voltages that can be used by various analog peripherals in a given device. These include, but are not necessarily limited to, the ADC12\_A, DAC12\_A, LCD\_B, and COMP\_B modules dependent upon the particular device. The heart of the reference system is the bandgap from which all other references are derived by unity or non-inverting gain stages. The REFGEN sub-system consists of the bandgap, the bandgap bias, and the non-inverting buffer stage which generates the three primary voltage reference available in the system, namely 1.5 V, 2.0 V, and 2.5 V. In addition, when enabled, a buffered bandgap voltage is also available.

Features of the REF include:

- Centralized, factory trimmed bandgap with excellent PSRR, temperature coefficient, and accuracy
- 1.5-V, 2.0-V, or 2.5-V user selectable internal references
- Buffered bandgap voltage available to rest of system
- Power saving features
- Backward compatibility to existing reference system

The block diagram of the REF module is shown in [Figure 20-1](#).

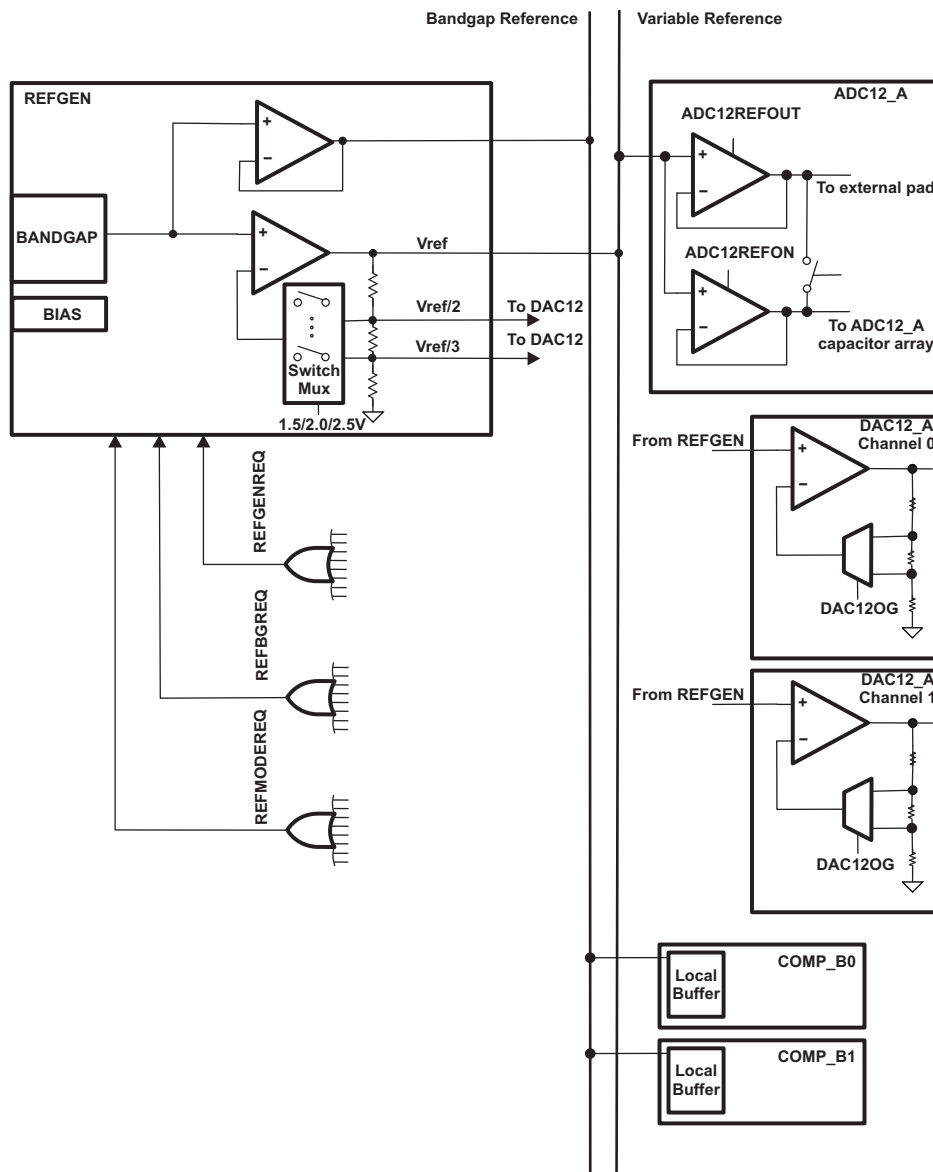


Figure 20-1. REF Block Diagram

## 20.2 Principle of Operation

The REF module provides all the necessary voltage references to be used by various peripheral modules throughout the system. These may include, but are not limited to, devices that contain an ADC12\_A, DAC12\_A, LCD\_B, or COMP\_B.

The REFGEN subsystem contains a high-performance bandgap. This bandgap has very good accuracy (factory trimmed), low temperature coefficient, and high PSRR while operating at low power. The bandgap voltage is used to generate three voltages via a non-inverting amplifier stage, namely 1.5 V, 2.0 V, and 2.5 V. One voltage can be selected at a time. One output of the REFGEN subsystem is the variable reference line. The variable reference line provides either 1.5 V, 2.0 V, or 2.5 V to the rest of the system. A second output of the REFGEN subsystem provides a buffered bandgap reference line that can also be used by modules throughout the system. Additionally, the REFGEN supports voltage references required for the DAC12\_A module, when available. Lastly, the REFGEN subsystem also includes the temperature sensor circuitry since this is derived from the bandgap. The temperature sensor is used by an ADC to measure a voltage proportional to temperature.

### 20.2.1 Low-Power Operation

The REF module is capable of supporting low-power applications such as LCD generation. Many of these applications do not require a very accurate reference, compared to data conversion, yet power is of prime concern. To support these kinds of applications, the bandgap is capable of being used in a sampled mode. In sampled mode, the bandgap circuitry is clocked via the VLO at an appropriate duty cycle. This reduces the average power of the bandgap circuitry significantly, at the cost of accuracy. When not in sampled mode, the bandgap is in static mode. Its power is at its highest, but so is its accuracy.

Modules automatically can request static mode or sampled mode via their own individual request lines. In this way, the particular module determines what mode is appropriate for its proper operation and performance. Any one active module that requests static mode will cause all other modules to use static mode, regardless if another module is requesting sampled mode. In other words, static mode always has higher priority over sampled mode.

### 20.2.2 REFCTL

The REFCTL registers provide a way to control the reference system from one centralized set of registers. By default, REFCTL is used as the primary control of the reference system. On legacy devices, the ADC12\_A provided the control bits necessary to configure the reference system, namely ADC12REFON, ADC12REF2\_5, ADC12TCOFF, ADC12REFOUT, ADC12SR, and ADC12REFBURST. The ADC12SR and ADC12REFBURST bits are very specific to the ADC12 operation and therefore are not included in REFCTL. All legacy control bits can still be used to configure the reference system allowing for backward compatibility by clearing REFMSTR. In this case, the REFCTL register bits are a 'do not care'.

Setting the reference master bit (REFMSTR = 1), allows the reference system to be controlled via the REFCTL register. This is the default setting. In this mode, the legacy control bits ADC12REFON, ADC12REF2\_5, ADC12TCOFF, and ADC12REFOUT are do not care. The ADC12SR and ADC12REFBURST are still controlled via the ADC12\_A since these are very specific to the ADC12\_A module. If REFMSTR set is cleared, all settings in the REFCTL are do not care and the reference system is controlled completely by the legacy control bits inside the ADC12\_A module. Table [Table 20-1](#) summarizes the REFCTL bits and their effect on the REF module.

**Table 20-1. REF Control of Reference System (REFMSTR = 1) (Default)**

REF Register Setting	Function
REFON	Setting this bit enables the REFGEN subsystem which includes the bandgap, the bandgap bias circuitry, and the 1.5-V/2.0-V/2.5-V buffer. Setting this bit will cause the REFGEN subsystem to remain enabled regardless if any module has requested it. Clearing this bit will disable the REFGEN subsystem only when there are no pending requests for REFGEN from all modules.
REFVSEL	Selects 1.5 V, 2.0 V, or 2.5 V to be present on the variable reference line when REFON = 1 or REFGEN is requested by any module.
REFOUT	Setting this bits enables the variable reference line voltage to be present external to the device via a buffer (external reference buffer).
REFTCOFF	Setting this bit disables the temperature sensor (when available) to conserve power.

Table 20-2 summarizes the ADC12\_A control bits and their effect on the REF module. Please see the ADC12\_A module description for further details.

**Note:** Although the REF module supports using the ADC12\_A bits as control for the reference system, it is recommended that the usage of the new REFCTL register be used and older code migrated to this methodology. This allows the logical partitioning of the reference system to be separate from the ADC12\_A system and forms a more natural partitioning for future products.

**Table 20-2. Table 2. ADC Control of Reference System (REFMSTR = 0)**

ADC12_A Register Setting	Function
ADC12REFON	Setting this bit enables the REFGEN subsystem which includes the bandgap, the bandgap bias circuitry, and the 1.5-V/2.0-V/2.5-V buffer. Setting this bit will cause the REFGEN subsystem to remain enabled regardless if any module has requested it. Clearing this bit will disable the REFGEN subsystem only when there are no pending requests for REFGEN from all modules.
ADC12REF2_5	Setting this bits causes 2.5 V to be present on the variable reference line when ADC12REFON = 1. Clearing this bit causes 1.5 V to be present on the variable reference line when ADC12REFON = 1.
ADC12REFOUT	Setting this bits enables the variable reference line voltage to be present external to the device via a buffer (external reference buffer).
ADC12TCOFF	Setting this bit disables the temperature sensor to conserve power.

As stated previously, the ADC12REFBURST does have an effect on the reference system and can be controlled via the ADC12\_A. This bit is in effect regardless if REFCTL or the ADC12\_A is controlling the reference system. Setting ADC12REFBURST = 1 enables burst mode when REFON = 1 and REFMSTR = 1 or when ADC12REFON = 1 and REFMSTR = 0. In burst mode, the internal buffer (ADC12REFOUT = 0) or the external buffer (ADC12REFOUT = 1) is enabled only during a conversion and disabled automatically to conserve power.

**Note:** The legacy ADC12\_A bit ADC12REF2\_5 only allows for selecting either 1.5 V or 2.5 V. To select 2.0 V, the REFVSEL control bits must be used (REFMSTR = 1).

### 20.2.3 Reference System Requests

There are three basic reference system requests that are used by the reference system. Each module can utilize these requests to obtain the proper response from the reference system. The three basic requests are REFGENREQ, REFBGREQ, and REFMODEREQ. No interaction is required by the user code. The modules select the proper requests automatically.

A reference request signal, REFGENREQ, is available as an input into the REFGEN subsystem. This signal represents a logical OR of individual requests coming from the various modules in the system that

require a voltage reference to be available on the variable reference line. When a module requires a voltage reference, it asserts its corresponding REGFENREQ signal. Once the REFGENREQ is asserted, the REFGEN subsystem will be enabled. After the specified settling time, the variable reference line voltage will be stable and ready for use. The REFVSEL settings determine which voltage will be generated on the variable reference line.

In addition to the REFGENREQ, a second reference request signal, REFBGREQ is available. The REFBGREQ signal represents a logical OR of requests coming from the various modules that require the bandgap reference line. Once the REFBGREQ is asserted, the bandgap, along with its bias circuitry and local buffer, will be enabled if it is not already enabled by a prior request.

The REFMODEREQ request signal is available that configures the bandgap and its bias circuitry to operate in a sampled or static mode of operation. The REFMODEREQ signal basically represents a logical AND of individual requests coming from the various analog modules. In reality, a REFMODEREQ occurs only if a module's REFGENREQ or REFBGQ is also asserted, otherwise it is a do not care. When REFMODEREQ = 1, the bandgap operates in sampled mode. When a module asserts its corresponding REFMODEREQ signal, it is requesting that the bandgap operate in sampled mode. Since REMODEREQ is a logical AND of all individual requests, any modules requesting static mode will cause the bandgap to operate in static mode. The BGMODE bit can be used as an indicator of static or sampled mode of operation.

### REFBGACT, REFGENACT, REFGENBUSY

Any module that is using the variable reference line will cause REFGENACT to be set inside the REFCTL register. This bit is read only and indicates to the user that the REFGEN is active or off. Similarly, the REFBGACT is active any time one or more modules is actively utilizing the bandgap reference line and indicates to the user that the REFBG is active or off.

The REFGENBUSY signal, when asserted, indicates that a module is using the reference and cannot have any of its settings changed. For example, during an active ADC12\_A conversion, the reference voltage level should not be changed. REFGENBUSY is asserted when there is an active ADC12\_A conversion (ENC = 1) or when the DAC12\_A is actively converting (DAC12AMPx > 1 and DAC12SREFx = 0). REFGENBUSY when asserted, write protects the REFCTL register. This prevents the reference from being disabled or its level changed during any active conversion. Please note that there is no such protection for the DAC12\_A if the ADC12\_A legacy control bits are used for the reference control. If the user changes the ADC12\_A settings and the DAC12\_A is using the reference, the DAC12\_A conversion will be effected.

### ADC12\_A

For devices that contain an ADC12\_A module, the ADC12\_A module contains two local buffers. The larger buffer can be used to drive the reference voltage, present on the variable reference line, external to the device. This buffer has larger power consumption due to a selectable burst mode, as well as, its need to drive larger DC loads that may be present outside the device. The large buffer is enabled continuously when REFON = 1, REFOUT = 1, and ADC12REFBURST = 0. When ADC12REFBURST = 1, the buffer is enabled only during an ADC conversion, shutting down automatically upon completion of a conversion to save power. In addition, when REFON = 1 and REFOUT = 1, the second smaller buffer is automatically disabled. In this case, the output of the large buffer is connected to the capacitor array via an internal analog switch. This ensures the same reference is used throughout the system. If REFON = 1 and REFOUT = 0, the internal buffer is used for ADC conversion and the large buffer remains disabled. The small internal buffer can operate in burst mode as well by setting ADC12REFBURST = 1

### DAC12\_A

Some devices may contain a DAC12\_A module. The DAC12\_A can use the 1.5 V, 2.0 V, or 2.5 V from the variable reference line for its reference. The DAC12\_A can request its reference directly by the settings within the DAC12\_A module itself. Basically, if the DAC is enabled and the internal reference is selected, it will request it from the REF module. In addition, as before, setting REFON = 1 (REFMSTR = 1) or ADC12REFON = 1 (REFMSTR = 0) can enable the variable reference line independent of the DAC12\_A control bits.

The REGEN subsystem will provide divided versions of the variable reference line for usage in the DAC12\_A module. The DAC12\_A module requires either /2 or /3 of the variable reference. The selection of these depends on the control bits inside the DAC12\_A module (DAC12IR, DAC12OG) and is handled automatically by the REF module.

When the DAC12\_A selects AV<sub>cc</sub> or VeREF+ as its reference, the DAC12\_A has its own /2 and /3 resistor string available that scales the input reference appropriately based on the DAC12IR and DAC12OG settings.

## LCD\_B

Devices that contain an LCD will utilize the LCD\_B module. The LCD\_B module requires a reference to generate the proper LCD voltages. The bandgap reference line from the REFGEN sub-system is used for this purpose. The LCD is enabled when LCDON = 1 of the LCD\_B module. This causes a REFBGREQ from the LCD module to be asserted. The buffered bandgap will be made available on the bandgap reference line for usage inside the LCD\_B module.

## 20.3 REF Registers

The REF registers are listed in [Table 20-3](#). The base address can be found in the device specific datasheet. The address offset is listed in [Table 20-3](#).

---

**Note:** All registers have word or byte register access. For a generic register *ANYREG*, the suffix "\_L" (*ANYREG\_L*) refers to the lower byte of the register (bits 0 through 7). The suffix "\_H" (*ANYREG\_H*) refers to the upper byte of the register (bits 8 through 15).

---

**Table 20-3. REF Registers**

Register	Short Form	Register Type	Access	Address Offset	Initial State
REFCTL0	REFCTL0	Read/write	Word	00h	0080h
	REFCTL0_L	Read/write	Byte	00h	80h
	REFCTL0_H	Read/write	Byte	01h	00h

**REFCTL0, REF Control Register 0**

15	14	13	12	11	10	9	8
<b>Reserved</b>	<b>Reserved</b>	<b>Reserved</b>	<b>Reserved</b>	<b>BGMODE</b>	<b>REFGENBUSY</b>	<b>REFBGACT</b>	<b>REFGENACT</b>
r0	r0	r0	r0	r-(0)	r-(0)	r-(0)	r-(0)
7	6	5	4	3	2	1	0
<b>REFMSTR</b>	<b>Reserved</b>	<b>REFVSEL</b>		<b>REFTCOFF</b>	<b>Reserved</b>	<b>REFOUT</b>	<b>REFON</b>
rw-(1)	r0	rw-(0)	rw-(0)	rw-(0)	r0	rw-(0)	rw-(0)

Modifiable only when REFGENBUSY = 0

<b>Reserved</b>	Bits 15-12	Reserved. Always reads back 0.
<b>BGMODE</b>	Bit 11	Bandgap mode. Read only. 0 Static mode. 1 Sampled mode.
<b>REFGENBUSY</b>	Bit 10	Reference generator busy. Read only. 0 Reference generator not busy. 1 Reference generator busy.
<b>REFBGACT</b>	Bit 9	Reference bandgap active. Read only. 0 Reference bandgap buffer not active. 1 Reference bandgap buffer active.
<b>REFGENACT</b>	Bit 8	Reference generator active. Read only. 0 Reference generator not active. 1 Reference generator active.
<b>REFMSTR</b>	Bit 7	REF master control 0 Reference system controlled by legacy control bits inside the ADC12_A module when available. 1 Reference system controlled by REFCTL register. Common settings inside the ADC12_A module (if exists) are do not care.
<b>Reserved</b>	Bit 6	Reserved. Always reads back 0.
<b>REFVSEL</b>	Bits 5-4	Reference voltage level select 0 0 1.5 V available when reference requested or REFON = 1 0 1 2.0 V available when reference requested or REFON = 1 1 x 2.5 V available when reference requested or REFON = 1
<b>REFTCOFF</b>	Bit 3	Temperature sensor disabled 0 Temperature sensor enabled. 1 Temperature sensor disabled to save power.
<b>Reserved</b>	Bit 2	Reserved. Always reads back 0.
<b>REFOUT</b>	Bit 1	Reference output buffer 0 Reference output not available externally. 1 Reference output available externally. If ADC12REFBURST = 0, or DAC12_A is enabled, output is available continuously. If ADC12REFBURST = 1, output is available only during an ADC12_A conversion.
<b>REFON</b>	Bit 0	Reference enable 0 Disables reference if no other reference requests are pending. 1 Enables reference.





## Comparator\_B

---

---

---

Comparator\_B is an analog voltage comparator. This chapter describes the Comparator\_B. Comparator\_B covers general comparator functionality for up to 16 channels.

Topic	Page
21.1 Comparator_B Introduction .....	562
21.2 Comparator_B Operation.....	563
21.3 Comparator_B Registers .....	568

## 21.1 Comparator\_B Introduction

The Comparator\_B module supports precision slope analog-to-digital conversions, supply voltage supervision, and monitoring of external analog signals.

Features of Comparator\_B include:

- Inverting and noninverting terminal input multiplexer
- Software-selectable RC filter for the comparator output
- Output provided to Timer\_A capture input
- Software control of the port input buffer
- Interrupt capability
- Selectable reference voltage generator, voltage hysteresis generator
- Reference voltage input from shared reference
- Ultra-low-power comparator mode
- Interrupt driven measurement system – low-power operation support

The Comparator\_B block diagram is shown in [Figure 21-1](#).

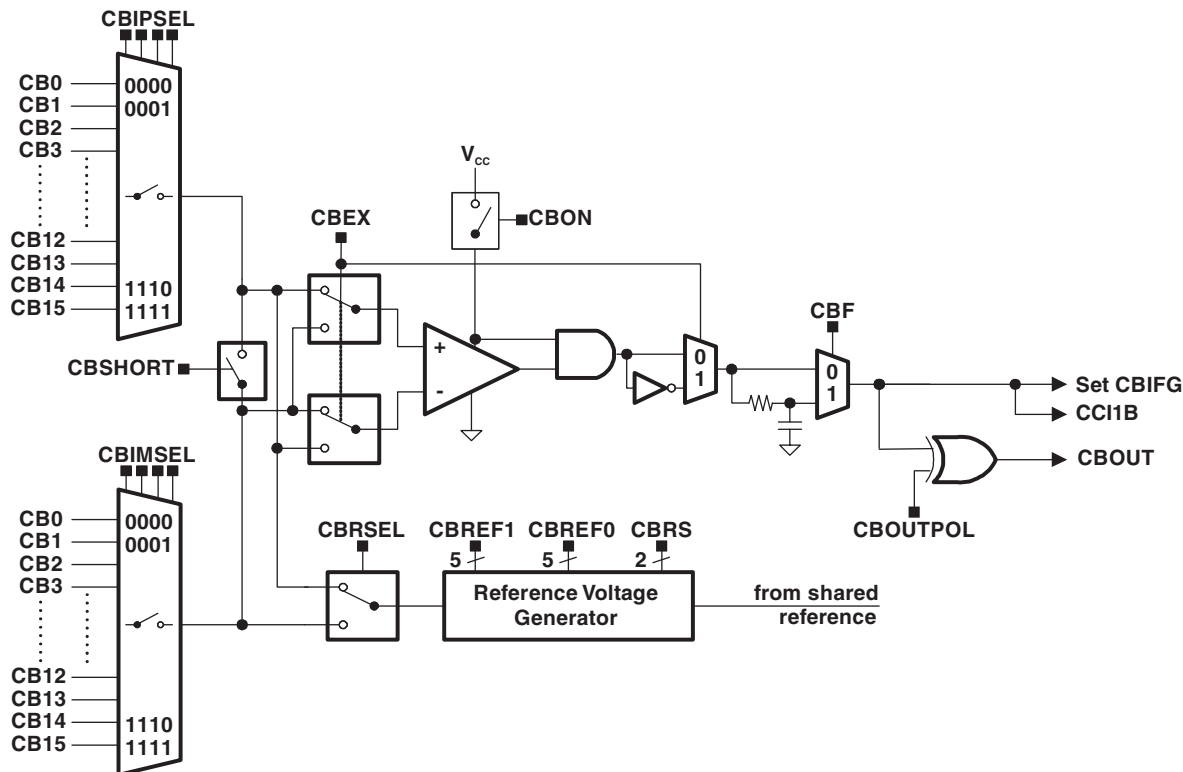


Figure 21-1. Comparator\_B Block Diagram

## 21.2 Comparator\_B Operation

The Comparator\_B module is configured by user software. The setup and operation of Comparator\_B is discussed in the following sections.

### 21.2.1 Comparator

The comparator compares the analog voltages at the + and – input terminals. If the + terminal is more positive than the – terminal, the comparator output CBOUT is high. The comparator can be switched on or off using control bit CBON. The comparator should be switched off when not in use to reduce current consumption. When the comparator is switched off, CBOUT is always low. The bias current of the comparator is programmable.

### 21.2.2 Analog Input Switches

The analog input switches connect or disconnect the two comparator input terminals to associated port pins using the CBIPSELx and CBIMSELx bits. The comparator terminal inputs can be controlled individually. The CBIPSELx/CBIMSELx bits allow:

- Application of an external signal to the + and – terminals of the comparator
- Routing of an internal reference voltage to an associated output port pin
- Application of an external current source (e.g., resistor) to the + or – terminal of the comparator
- The mapping of both terminals of the internal multiplexer to the outside

Internally, the input switch is constructed as a T-switch to suppress distortion in the signal path.

---

**Note: Comparator Input Connection**

When the comparator is on, the input terminals should be connected to a signal, power, or ground. Otherwise, floating levels may cause unexpected interrupts and increased current consumption.

---

The CBEX bit controls the input multiplexer, permuting the input signals of the comparator's + and – terminals. Additionally, when the comparator terminals are permuted, the output signal from the comparator is inverted too. This allows the user to determine or compensate for the comparator input offset voltage.

### 21.2.3 Port Logic

The Px.y pins associated with a comparator channel are enabled by the CBIPSELx or CBIMSELx bits to disable its digital components while used as comparator input. Only one of the comparator input pins is selected as input to the comparator by the input multiplexer at a time.

### 21.2.4 Input Short Switch

The CBSHORT bit shorts the Comparator\_B inputs. This can be used to build a simple sample-and-hold for the comparator as shown in Figure 21-2.

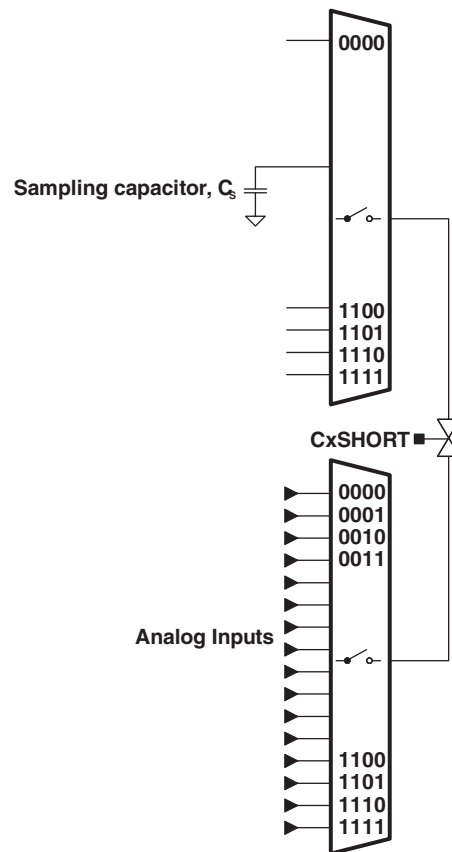


Figure 21-2. Comparator\_B Sample-And-Hold

The required sampling time is proportional to the size of the sampling capacitor ( $C_S$ ), the resistance of the input switches in series with the short switch ( $R_i$ ), and the resistance of the external source ( $R_S$ ). The total internal resistance ( $R_i$ ) is typically in the range of 1 k $\Omega$ . The sampling capacitor  $C_S$  should be greater than 100 pF. The time constant, Tau, to charge the sampling capacitor  $C_S$  can be calculated with the following equation:

$$\text{Tau} = (R_i + R_S) \times C_S$$

Depending on the required accuracy, 3 to 10 Tau should be used as a sampling time. With 3 Tau the sampling capacitor is charged to approximately 95% of the input signals voltage level, with 5 Tau it is charged to more than 99%, and with 10 Tau the sampled voltage is sufficient for 12-bit accuracy.

### 21.2.5 Output Filter

The output of the comparator can be used with or without internal filtering. When control bit CBF is set, the output is filtered with an on-chip RC filter. The delay of the filter can be adjusted in four different steps.

All comparator outputs are oscillating if the voltage difference across the input terminals is small. Internal and external parasitic effects and cross coupling on and between signal lines, power supply lines, and other parts of the system are responsible for this behavior as shown in Figure 21-3. The comparator output oscillation reduces the accuracy and resolution of the comparison result. Selecting the output filter can reduce errors associated with comparator oscillation.

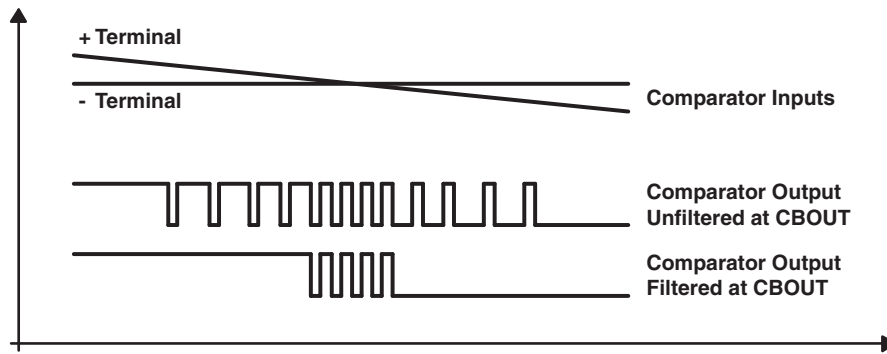


Figure 21-3. RC-Filter Response at the Output of the Comparator

### 21.2.6 Reference Voltage Generator

The Comparator\_B reference block diagram is shown in Figure 21-4.

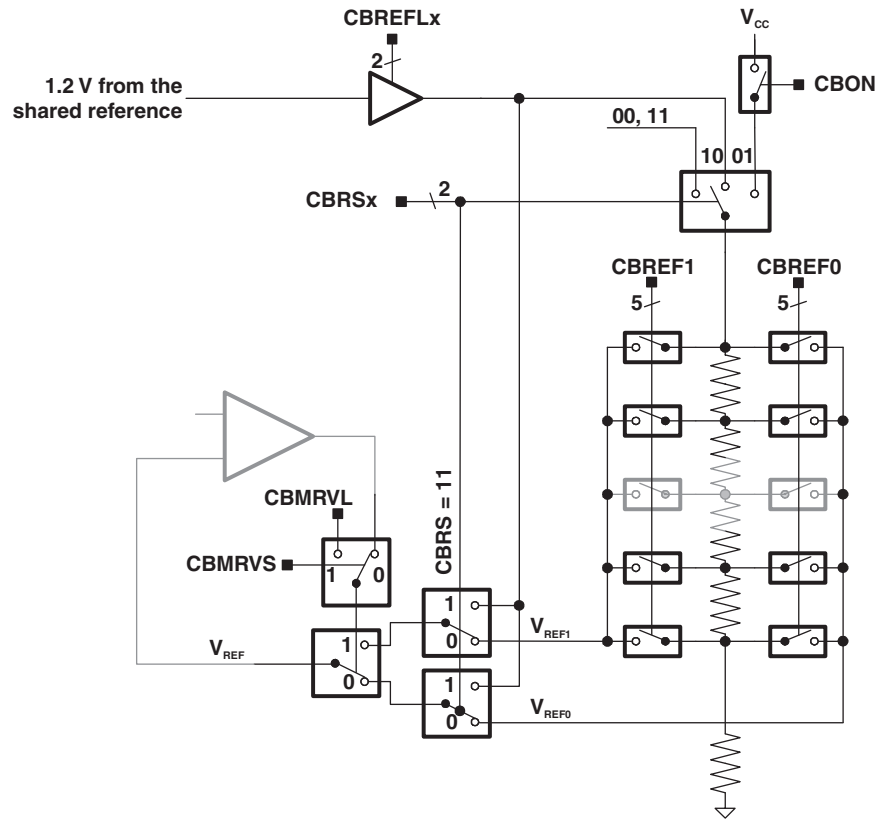


Figure 21-4. Reference Generator Block Diagram

The voltage reference generator is used to generate VREF, which can be applied to either comparator input terminal. The CBREF1x (VREF1) and CBREF0x (VREF0) bits control the output of the voltage generator. The CBRSEL bit selects the comparator terminal to which VREF is applied. If external signals are applied to both comparator input terminals, the internal reference generator should be turned off to reduce current consumption. The voltage reference generator can generate a fraction of the device's V<sub>CC</sub> or of the voltage reference of the integrated precision voltage reference source. Vref1 is used while CBOUR is 1 and Vref0 is used while CBOUR is 0. This allows the generation of a hysteresis without using external components.

### 21.2.7 Comparator\_B, Port Disable Register CBPD

The comparator input and output functions are multiplexed with the associated I/O port pins, which are digital CMOS gates. When analog signals are applied to digital CMOS gates, parasitic current can flow from  $V_{CC}$  to GND. This parasitic current occurs if the input voltage is near the transition level of the gate. Disabling the port pin buffer eliminates the parasitic current flow and therefore reduces overall current consumption.

The CBPDx bits, when set, disable the corresponding Px.y input buffer as shown in Figure 21-5. When current consumption is critical, any Px.y pin connected to analog signals should be disabled with their associated CBPDx bits.

Selecting an input pin to the comparator multiplexer with the CBIPSEL or CBIMSEL bits automatically disables the input buffer for that pin, regardless of the state of the associated CBPDx bit.

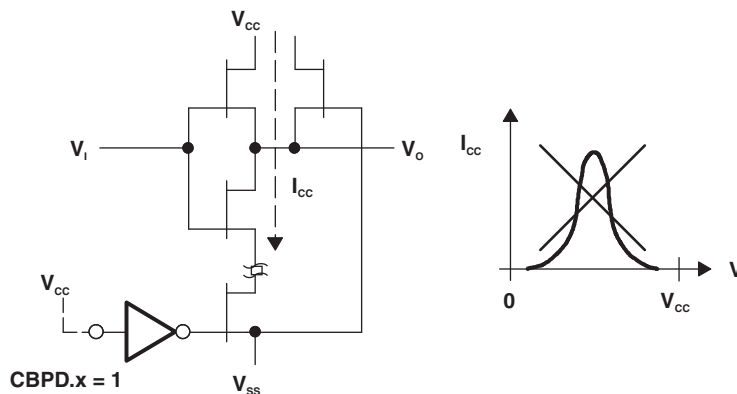


Figure 21-5. Transfer Characteristic and Power Dissipation in a CMOS Inverter/Buffer

### 21.2.8 Comparator\_B Interrupts

One interrupt flag and one interrupt vector is associated with the Comparator\_B.

The interrupt flag CBIFG is set on either the rising or falling edge of the comparator output, selected by the CBIES bit. If both the CBIE and the GIE bits are set, then the CBIFG interrupt flag generates an interrupt request.

### 21.2.9 Comparator\_B Used to Measure Resistive Elements

The Comparator\_B can be optimized to precisely measure resistive elements using single slope analog-to-digital conversion. For example, temperature can be converted into digital data using a thermistor, by comparing the thermistor's capacitor discharge time to that of a reference resistor as shown in Figure 21-6. A reference resistor  $R_{ref}$  is compared to  $R_{meas}$ .

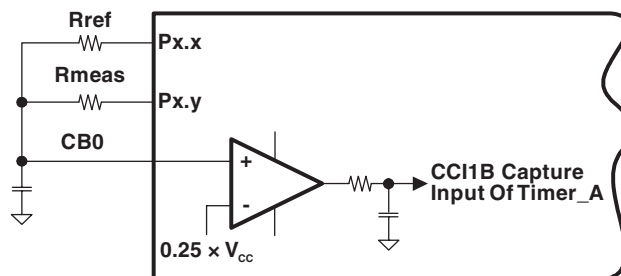


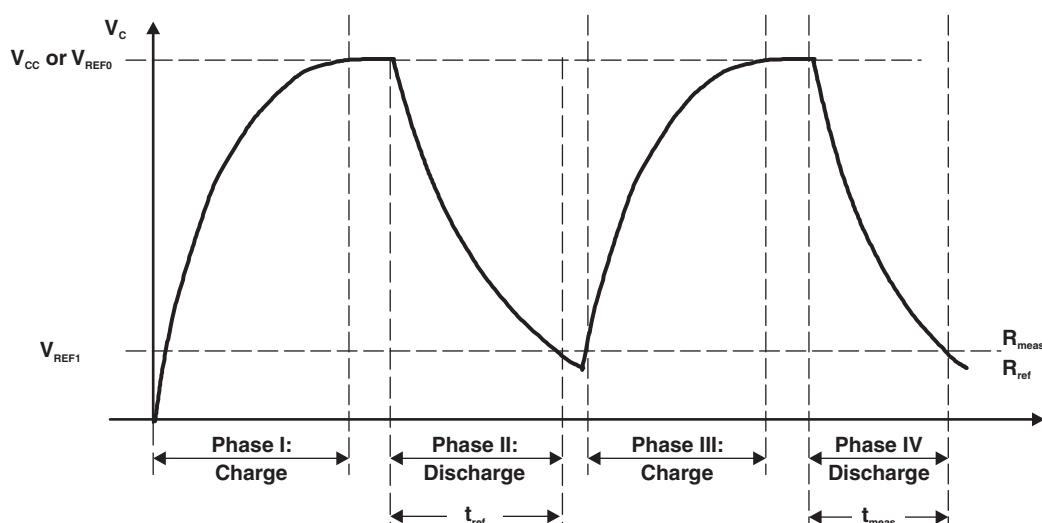
Figure 21-6. Temperature Measurement System

The resources used to calculate the temperature sensed by R<sub>meas</sub> are:

- Two digital I/O pins charge and discharge the capacitor.
- I/O is set to output high (V<sub>CC</sub>) to charge capacitor, reset to discharge.
- I/O is switched to high-impedance input with CBPDx set when not in use.
- One output charges and discharges the capacitor via R<sub>ref</sub>.
- One output discharges capacitor via R<sub>meas</sub>.
- The + terminal is connected to the positive terminal of the capacitor.
- The – terminal is connected to a reference level, for example  $0.25 \times V_{CC}$ .
- The output filter should be used to minimize switching noise.
- CBOUT is used to gate Timer\_A CCI1B, capturing capacitor discharge time.

More than one resistive element can be measured. Additional elements are connected to CB0 with available I/O pins and switched to high impedance when not being measured.

The thermistor measurement is based on a ratiometric conversion principle. The ratio of two capacitor discharge times is calculated as shown in Figure 21-7.



**Figure 21-7. Timing for Temperature Measurement Systems**

The V<sub>CC</sub> voltage and the capacitor value should remain constant during the conversion, but are not critical since they cancel in the ratio:

$$\frac{N_{\text{meas}}}{N_{\text{ref}}} = \frac{-R_{\text{meas}} \times C \times \ln \frac{V_{\text{ref1}}}{V_{\text{CC}}}}{-R_{\text{ref}} \times C \times \ln \frac{V_{\text{ref1}}}{V_{\text{CC}}}}$$

$$\frac{N_{\text{meas}}}{N_{\text{ref}}} = \frac{R_{\text{meas}}}{R_{\text{ref}}}$$

$$R_{\text{meas}} = R_{\text{ref}} \times \frac{N_{\text{meas}}}{N_{\text{ref}}}$$

### 21.3 Comparator\_B Registers

The Comparator\_B registers are listed in [Table 21-1](#). The base address of the Comparator\_B module can be found in the device specific data sheet.

**Table 21-1. Comparator\_B Registers**

Register	Short Form	Register Type	Address Offset	Initial State
Comparator_B control register 0	CBCTL0	Read/write	0x0000	Reset with PUC
Comparator_B control register 1	CBCTL1	Read/write	0x0002	Reset with PUC
Comparator_B control register 2	CBCTL2	Read/write	0x0004	Reset with PUC
Comparator_B control register 3	CBCTL3	Read/write	0x0006	Reset with POR
Comparator_B interrupt register	CBINT	Read/write	0x000C	Reset with PUC
Comparator_B interrupt vector word	CBIV	Read	0x000E	Reset with PUC



**Comparator\_B Control Register 0 (CBCTL0)**

15	14	13	12	11	10	9	8
<b>CBIMEN</b>	<b>Reserved</b>			<b>CBIMSEL</b>			
rw-0	r-0	r-0	r-0	rw-0	rw-0	rw-0	rw-0
7	6	5	4	3	2	1	0
<b>CBIPEN</b>	<b>Reserved</b>			<b>CBIPSEL</b>			
rw-0	r-0	r-0	r-0	rw-0	rw-0	rw-0	rw-0

<b>CBIMEN</b>	Bit 15	Channel input enable for the V <sup>-</sup> terminal of the comparator. 0 Selected analog input channel for V <sup>-</sup> terminal is disabled. 1 Selected analog input channel for V <sup>-</sup> terminal is enabled.
<b>Reserved</b>	Bits 14-12	Reserved
<b>CBIMSEL</b>	Bits 11-8	Channel input selected for the V <sup>-</sup> terminal of the comparator if CBIMEN is set to 1.
<b>CBIPEN</b>	Bit 7	Channel input enable for the V <sup>+</sup> terminal of the comparator. 0 Selected analog input channel for V <sup>+</sup> terminal is disabled. 1 Selected analog input channel for V <sup>+</sup> terminal is enabled.
<b>Reserved</b>	Bits 6-4	Reserved
<b>CBIPSEL</b>	Bits 3-0	Channel input selected for the V <sup>+</sup> terminal of the comparator if CBIPEN is set to 1.

**Comparator\_B, Control Register 1 (CBCTL1)**

15	14	13	12	11	10	9	8
Reserved			<b>CBMRVS</b>	<b>CBMRVL</b>	<b>CBON</b>	<b>CBPWRMD</b>	
r-0	r-0	r-0	rw-0	rw-0	rw-0	rw-0	rw-0
7	6	5	4	3	2	1	0
<b>CBFDLY</b>		<b>CBEX</b>	<b>CBSHORT</b>	<b>CBIES</b>	<b>CBF</b>	<b>CBOUTPOL</b>	<b>CBOUT</b>
rw-0	rw-0	rw-0	rw-0	rw-0	rw-0	rw-0	r-0

<b>Reserved</b>	Bits 15-13	Reserved
<b>CBMRVS</b>	Bit 12	This bit defines if the comparator output selects between VREF0 or VREF1 if CBRS = 00, 01, or 10. 0 Comparator output state selects between VREF0 or VREF1. 1 CBMRVL selects between VREF0 or VREF1.
<b>CBMRVL</b>	Bit 11	This bit is valid if CBMRVS is set to 1. 0 VREF0 is selected if CBRS = 00, 01, or 10. 1 VREF1 is selected if CBRS = 00, 01, or 10.
<b>CBON</b>	Bit 10	On. This bit turns the comparator on. When the comparator is turned off the Comparator_B consumes no power. 0 Off 1 On
<b>CBPWRMD</b>	Bits 9-8	Power mode. Not all modes are supported in all products. See device specific data sheet for details. 00 High-speed mode (optional) 01 Normal mode (optional) 10 Ultra-low-power mode (optional) 11 Reserved
<b>CBFDLY</b>	Bits 7-6	Filter delay. The filter delay can be selected in 4 steps. See the device specific data sheet for details. 00 Typical filter delay of 450 ns 01 Typical filter delay of 900 ns 10 Typical filter delay of 1800 ns 11 Typical filter delay of 3600 ns
<b>CBEX</b>	Bit 5	Exchange. This bit permutes the comparator 0 inputs and inverts the comparator 0 output.
<b>CBSHORT</b>	Bit 4	Input short. This bit shorts the + and – input terminals. 0 Inputs not shorted 1 Inputs shorted
<b>CBIES</b>	Bit 3	Interrupt edge select for CBIIFG and CBIFG 0 Rising edge for CBIFG, falling edge for CBIIFG 1 Falling edge for CBIFG, rising edge for CBIIFG
<b>CBF</b>	Bit 2	Output filter 0 Comparator_B output is not filtered 1 Comparator_B output is filtered
<b>CBOUTPOL</b>	Bit 1	Output polarity. This bit defines the CBOUT polarity. 0 Noninverted 1 Inverted
<b>CBOUT</b>	Bit 0	Output value. This bit reflects the value of the Comparator_B output. Writing this bit has no effect on the comparator output.

**Comparator\_B, Control Register 2 (CBCTL2)**

15	14	13	12	11	10	9	8
<b>CBREFACC</b>	<b>CBREFL</b>		<b>CBREF1</b>				
rw-0	rw-0	rw-0	rw-0	rw-0	rw-0	rw-0	rw-0
7	6	5	4	3	2	1	0
<b>CBRS</b>		<b>CBRSEL</b>	<b>CBREF0</b>				
rw-0		rw-0	rw-0	rw-0	rw-0	rw-0	rw-0

<b>CBREFACC</b>	Bit 15	Reference accuracy. A reference voltage is requested only if CBREFL > 0. 0    Static mode 1    Clocked (low-power, low-accuracy) mode
<b>CBREFL</b>	Bits 14-13	Reference voltage level 00   Reference amplifier is disabled. No reference voltage is requested. 01   1.5 V is selected as shared reference voltage input 10   2.0 V is selected as shared reference voltage input 11   2.5 V is selected as shared reference voltage input
<b>CBREF1</b>	Bits 12-8	Reference resistor tap 1. This register defines the tap of the resistor string while CBOUT = 1.
<b>CBRS</b>	Bits 7-6	Reference source. This bit define if the reference voltage is derived from V <sub>CC</sub> or from the precise shared reference. 00   No current is drawn by the reference curcuitry. 01   V <sub>CC</sub> applied to the resistor ladder 10   Shared reference voltage applied to the resistor ladder. 11   Shared reference voltage supplied to V <sub>CCREF</sub> . Resistor ladder is off.
<b>CBRSEL</b>	Bit 5	Reference select. This bit selects which terminal the V <sub>CCREF</sub> is applied to. When CBEX = 0: 0    V <sub>REF</sub> is applied to the + terminal 1    V <sub>REF</sub> is applied to the – terminal When CBEX = 1: 0    V <sub>REF</sub> is applied to the – terminal 1    V <sub>REF</sub> is applied to the + terminal
<b>CBREF0</b>	Bits 4-0	Reference resistor tap 0. This register defines the tap of the resistor string while CBOUT = 0.

**Comparator\_B, Control Register 3 (CBCTL3)**

15	14	13	12	11	10	9	8
<b>CBPD15</b>	<b>CBPD14</b>	<b>CBPD13</b>	<b>CBPD12</b>	<b>CBPD11</b>	<b>CBPD10</b>	<b>CBPD9</b>	<b>CBPD8</b>
rw-(0)	rw-(0)	rw-(0)	rw-(0)	rw-(0)	rw-(0)	rw-(0)	rw-(0)
7	6	5	4	3	2	1	0
<b>CBPD7</b>	<b>CBPD6</b>	<b>CBPD5</b>	<b>CBPD4</b>	<b>CBPD3</b>	<b>CBPD2</b>	<b>CBPD1</b>	<b>CBPD0</b>
rw-(0)	rw-(0)	rw-(0)	rw-(0)	rw-(0)	rw-(0)	rw-(0)	rw-(0)

<b>CBPDx</b>	Bit 15-0	Port disable. These bits individually disable the input buffer for the pins of the port associated with Comparator_B. The bit CBPDx disabled the port of the comparator channel x. 0    The input buffer is enabled. 1    The input buffer is disabled.
--------------	----------	---

**Comparator\_B, Interrupt Control Register (CBINT)**

15	14	13	12	11	10	9	8
Reserved						<b>CBIIE</b>	<b>CBIE</b>
r-0	r-0	r-0	r-0	r-0	r-0	rw-0	rw-0
7	6	5	4	3	2	1	0
Reserved						<b>CBIIFG</b>	<b>CBIFG</b>
r-0	r-0	r-0	r-0	r-0	r-0	rw-0	rw-0

<b>Reserved</b>	Bits 15-10	Reserved. Always read back 0.
<b>CBIIE</b>	Bit 9	Comparator_B output interrupt enable 0 Interrupt is disabled 1 Interrupt is enabled
<b>CBIE</b>	Bit 8	Comparator_B output interrupt enable inverted polarity 0 Interrupt is disabled 1 Interrupt is enabled
<b>Reserved</b>	Bits 7-2	Reserved. Always read back 0.
<b>CBIIFG</b>	Bit 1	Comparator_B output inverted interrupt flag. The bit CBIES defines the transition of the output setting this bit. 0 No interrupt pending 1 Output interrupt pending
<b>CBIFG</b>	Bit 0	Comparator_B output interrupt flag. The bit CBIES defines the transition of the output setting this bit. 0 No interrupt pending 1 Output interrupt pending

**Comparator\_B, Interrupt Vector Word Register (CBIV)**

15	14	13	12	11	10	9	8
<b>0</b>	<b>0</b>	<b>0</b>	<b>0</b>	<b>0</b>	<b>0</b>	<b>0</b>	<b>0</b>
r0	r0	r0	r0	r0	r0	r0	r0
7	6	5	4	3	2	1	0
<b>0</b>	<b>0</b>	<b>0</b>	<b>0</b>	<b>0</b>	<b>CBIV</b>		<b>0</b>
r0	r0	r0	r0	r0	r-(0)	r-(0)	r0

<b>CBIV</b>	Bits 15-0	Comparator_B interrupt vector word register. The interrupt vector register reflects only interrupt flags whose interrupt enable bit are set. Reading the CBIV register clears the pending interrupt flag with the highest priority.
-------------	-----------	---

CBIV Contents	Interrupt Source	Interrupt Flag	Interrupt Priority
00h	No interrupt pending	–	–
02h	CBOUT interrupt	CBIFG	Highest
04h	CBOUT interrupt inverted polarity	CBIIFG	Lowest



## ADC12\_A

---

---

---

The ADC12\_A module is a high-performance 12-bit analog-to-digital converter (ADC). This chapter describes the operation of the ADC12\_A module.

Topic	Page
22.1 ADC12_A Introduction .....	574
22.2 ADC12_A Operation.....	576
22.3 ADC12_A Registers .....	590

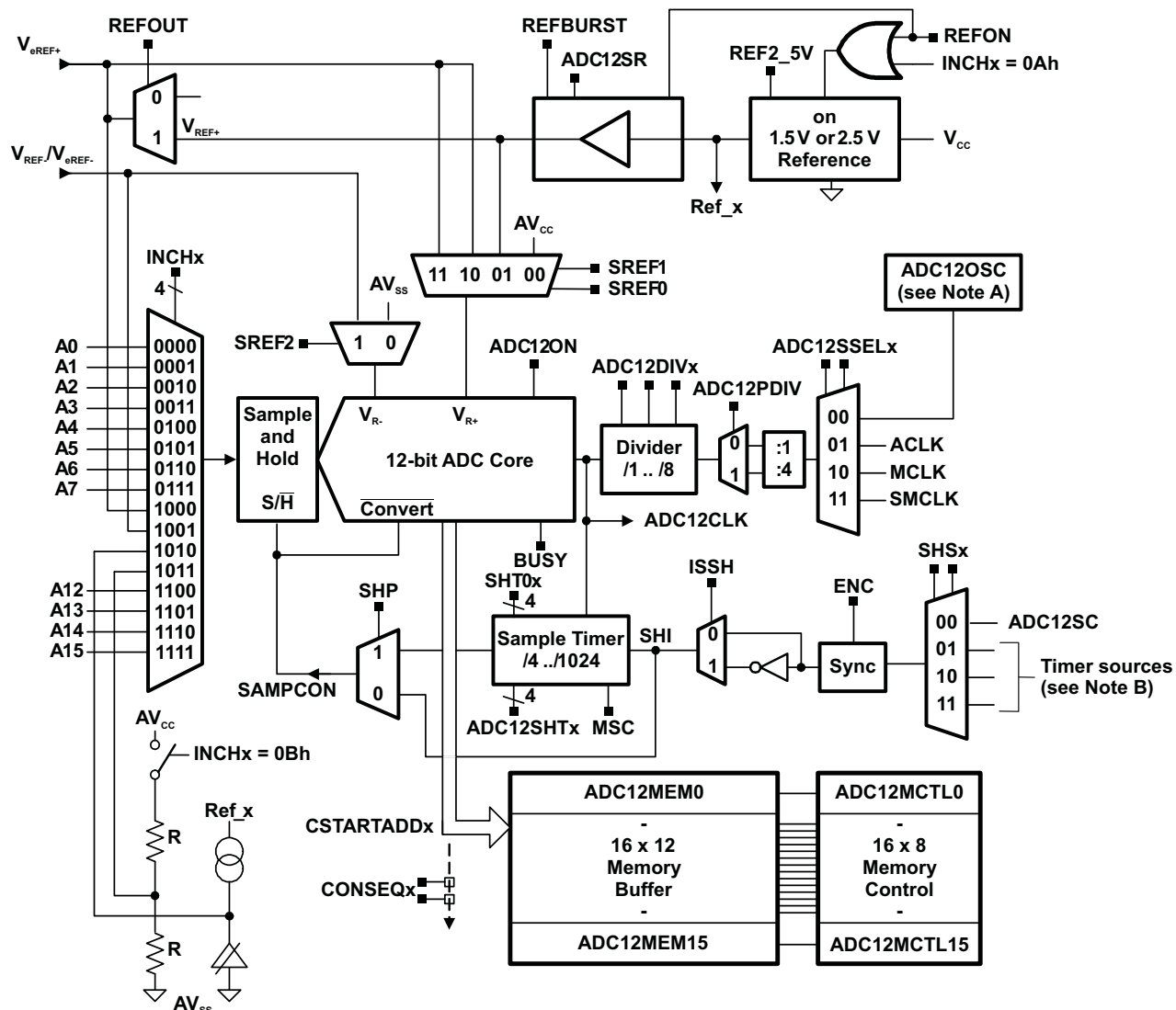
## 22.1 ADC12\_A Introduction

The ADC12\_A module supports fast 12-bit analog-to-digital conversions. The module implements a 12-bit SAR core, sample select control, reference generator (MSP430F54xx only – in other devices, separate REF module), and a 16-word conversion-and-control buffer. The conversion-and-control buffer allows up to 16 independent analog-to-digital converter (ADC) samples to be converted and stored without any CPU intervention.

ADC12\_A features include:

- Greater than 200-ksps maximum conversion rate
- Monotonic 12-bit converter with no missing codes
- Sample-and-hold with programmable sampling periods controlled by software or timers.
- Conversion initiation by software or timers.
- Software-selectable on-chip reference voltage generation (MSP430F54xx: 1.5 V or 2.5 V, other devices: 1.5 V, 2.0 V, or 2.5 V)
- Software-selectable internal or external reference
- Up to 12 individually configurable external input channels
- Conversion channels for internal temperature sensor,  $AV_{CC}$ , and external references
- Independent channel-selectable reference sources for both positive and negative references
- Selectable conversion clock source
- Single-channel, repeat-single-channel, sequence, and repeat-sequence conversion modes
- ADC core and reference voltage can be powered down separately (MSP430F54xx only, other devices see REF module specification for details)
- Interrupt vector register for fast decoding of 18 ADC interrupts
- 16 conversion-result storage registers

The block diagram of ADC12\_A is shown in [Figure 22-1](#). The reference generation is in MSP430F54xx devices located in the ADC12\_A module. In other devices, the reference generator is located in the reference module (see the device-specific data sheet).



- A The MODOSC is part of the UCS. See the UCS chapter for more information.
- B See the device-specific data sheet for timer sources available.

Figure 22-1. ADC12\_A Block Diagram

## 22.2 ADC12\_A Operation

The ADC12\_A module is configured with user software. The setup and operation of the ADC12\_A is discussed in the following sections.

### 22.2.1 12-Bit ADC Core

The ADC core converts an analog input to its 12-bit digital representation and stores the result in conversion memory. The core uses two programmable/selectable voltage levels ( $V_{R+}$  and  $V_{R-}$ ) to define the upper and lower limits of the conversion. The digital output ( $N_{ADC}$ ) is full scale (0FFFh) when the input signal is equal to or higher than  $V_{R+}$ , and zero when the input signal is equal to or lower than  $V_{R-}$ . The input channel and the reference voltage levels ( $V_{R+}$  and  $V_{R-}$ ) are defined in the conversion-control memory. The conversion formula for the ADC result  $N_{ADC}$  is:

$$N_{ADC} = 4095 \times \frac{V_{in} - V_{R-}}{V_{R+} - V_{R-}}$$

The ADC12\_A core is configured by two control registers, ADC12CTL0 and ADC12CTL1. The core is enabled with the ADC12ON bit. The ADC12\_A can be turned off when not in use to save power. With few exceptions, the ADC12\_A control bits can only be modified when ADC12ENC = 0. ADC12ENC must be set to 1 before any conversion can take place.

### Conversion Clock Selection

The ADC12CLK is used both as the conversion clock and to generate the sampling period when the pulse sampling mode is selected. The ADC12\_A source clock is selected using the predivider controlled by the ADC12PDIV bit and the divider using the ADC12SELx bits. The input clock can be divided from 1–32 using both the ADC12DIVx bits and the ADC12PDIV bit. Possible ADC12CLK sources are SMCLK, MCLK, ACLK, and the ADC12OSC.

The ADC12OSC in the block diagram refers to the MODOSC 5 MHz oscillator from the UCS (see the UCS module for more information) which can vary with individual devices, supply voltage, and temperature. See the device-specific data sheet for the ADC12OSC specification.

The user must ensure that the clock chosen for ADC12CLK remains active until the end of a conversion. If the clock is removed during a conversion, the operation does not complete and any result is invalid.

### 22.2.2 ADC12\_A Inputs and Multiplexer

The 12 external and 4 internal analog signals are selected as the channel for conversion by the analog input multiplexer. The input multiplexer is a break-before-make type to reduce input-to-input noise injection resulting from channel switching (see Figure 22-2). The input multiplexer is also a T-switch to minimize the coupling between channels. Channels that are not selected are isolated from the A/D and the intermediate node is connected to analog ground ( $AV_{SS}$ ), so that the stray capacitance is grounded to eliminate crosstalk.

The ADC12\_A uses the charge redistribution method. When the inputs are internally switched, the switching action may cause transients on the input signal. These transients decay and settle before causing errant conversion.

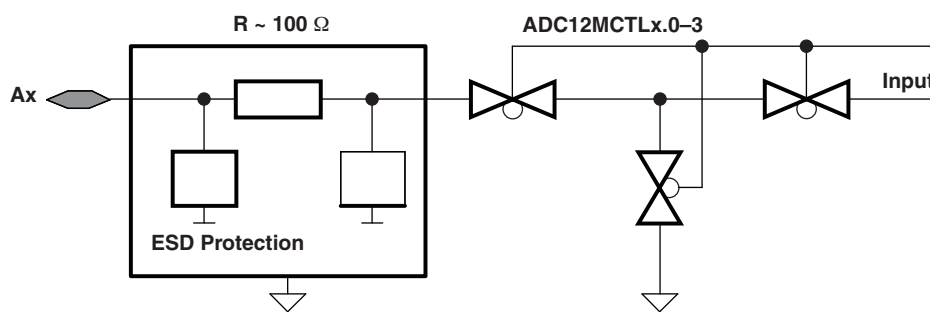


Figure 22-2. Analog Multiplexer



## Analog Port Selection

The ADC12\_A inputs are multiplexed with digital port pins. When analog signals are applied to digital gates, parasitic current can flow from  $V_{CC}$  to GND. This parasitic current occurs if the input voltage is near the transition level of the gate. Disabling the digital pat of the port pin eliminates the parasitic current flow and, therefore, reduces overall current consumption. The PySELx bits provide the ability to disable the port pin input and output buffers.

```
; Py.0 and Py.1 configured for analog input
BIS.B #3h,&PySEL ; Py.1 and Py.0 ADC12_A function
```

### 22.2.3 Voltage Reference Generator

The ADC12\_A module of the MSP430F54xx contains a built-in voltage reference with two selectable voltage levels, 1.5 V and 2.5 V. Either of these reference voltages may be used internally and externally on pin  $V_{REF+}$ .

The ADC12\_A modules of other devices have a separate reference module that supplies three selectable voltage levels, 1.5 V, 2.0 V, and 2.5 V to the ADC12\_A. Either of these voltages may be used internally and externally on pin  $V_{REF+}$ .

Setting ADC12REFON = 1 enables the reference voltage of the ADC12\_A module. When ADC12REF2\_5V = 1, the internal reference is 2.5 V; when ADC12REF2\_5V = 0, the reference is 1.5 V. The reference can be turned off to save power when not in use. Devices with the REF module can use the control bits located in the ADC12\_A module, or the control registers located in the REF module to control the reference voltage supplied to the ADC. Per default, the register settings of the REF module define the reference voltage settings. The control bit REFMSTR in the REF module is used to hand over control to the ADC12\_A reference control register settings. If the register bit REFMSTR is set to 1 (default), the REF module registers control the reference settings. If REFMSTR is set to 0, the ADC12\_A reference setting define the reference voltage of the ADC12\_A module.

External references may be supplied for  $V_{R+}$  and  $V_{R-}$  through pins  $V_{REF+}/V_{eREF+}$  and  $V_{REF-}/V_{eREF-}$ , respectively.

External storage capacitors are only required if REFOUT = 1 and the reference voltage is made available at the pins.

### Internal Reference Low-Power Features

The ADC12\_A internal reference generator is designed for low-power applications. The reference generator includes a band-gap voltage source and a separate buffer. The current consumption and settling time of each is specified separately in the device-specific data sheet. When ADC12REFON = 1, both are enabled, and if ADC12REFON = 0, both are disabled.

When ADC12REFON = 1 and REFBURST = 1 but no conversion is active, the buffer is automatically disabled and automatically reenabled when needed. When the buffer is disabled, it consumes no current. In this case, the band-gap voltage source remains enabled.

The REFBURST bit controls the operation of the reference buffer. When REFBURST = 1, the buffer is automatically disabled when the ADC12\_A is not actively converting, and automatically reenabled when needed. When REFBURST = 0, the buffer is on continuously. This allows the reference voltage to be present outside the device continuously if REFOUT = 1.

The internal reference buffer also has selectable speed versus power settings. When the maximum conversion rate is below 50 ksp/s, setting ADC12SR = 1 reduces the current consumption of the buffer approximately 50%.

### 22.2.4 Auto Power Down

The ADC12\_A is designed for low-power applications. When the ADC12\_A is not actively converting, the core is automatically disabled and automatically reenabled when needed. The MODOSC is also automatically enabled when needed and disabled when not needed.

### 22.2.5 Sample and Conversion Timing

An analog-to-digital conversion is initiated with a rising edge of the sample input signal SHI. The source for SHI is selected with the SHSx bits and includes the following:

- ADC12SC bit
- Up to three timer outputs (see to the device-specific data sheet for available timer sources).

The ADC12\_A supports 8-bit, 10-bit, and 12-bit resolution modes selectable by the ADC12RES bits. The analog-to-digital conversion requires 9, 11, and 13 ADC12CLK cycles, respectively. The polarity of the SHI signal source can be inverted with the ADC12ISSH bit. The SAMPCON signal controls the sample period and start of conversion. When SAMPCON is high, sampling is active. The high-to-low SAMPCON transition starts the analog-to-digital conversion. Two different sample-timing methods are defined by control bit ADC12SHP, extended sample mode, and pulse mode. See the device-specific data sheet for available timers for SHI sources.

#### Extended Sample Mode

The extended sample mode is selected when ADC12SHP = 0. The SHI signal directly controls SAMPCON and defines the length of the sample period  $t_{\text{sample}}$ . When SAMPCON is high, sampling is active. The high-to-low SAMPCON transition starts the conversion after synchronization with ADC12CLK (see Figure 22-3).

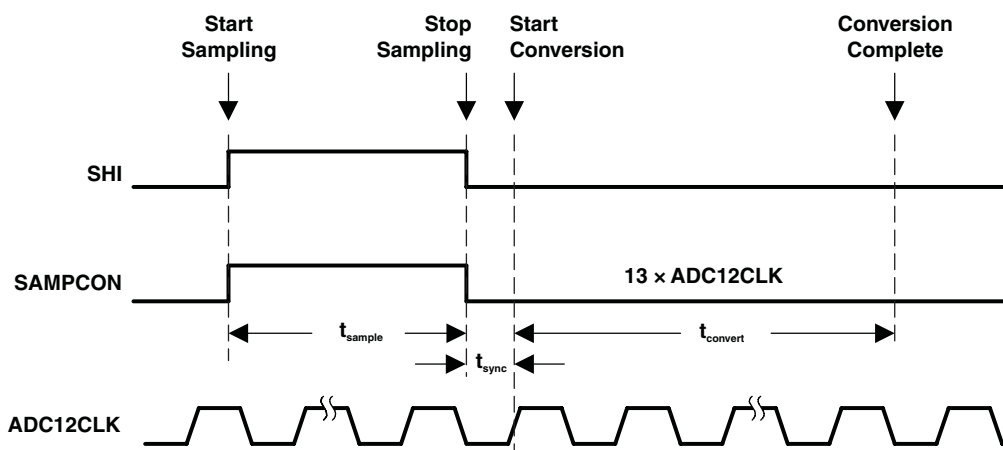


Figure 22-3. Extended Sample Mode

#### Pulse Sample Mode

The pulse sample mode is selected when ADC12SHP = 1. The SHI signal is used to trigger the sampling timer. The ADC12SHT0x and ADC12SHT1x bits in ADC12CTL0 control the interval of the sampling timer that defines the SAMPCON sample period  $t_{\text{sample}}$ . The sampling timer keeps SAMPCON high after synchronization with AD12CLK for a programmed interval  $t_{\text{sample}}$ . The total sampling time is  $t_{\text{sample}}$  plus  $t_{\text{sync}}$  (see Figure 22-4).

The ADC12SHTx bits select the sampling time in  $4 \times$  multiples of ADC12CLK. ADC12SHT0x selects the sampling time for ADC12MCTL0 to ADC12MCTL7, and ADC12SHT1x selects the sampling time for ADC12MCTL8 to ADC12MCTL15.

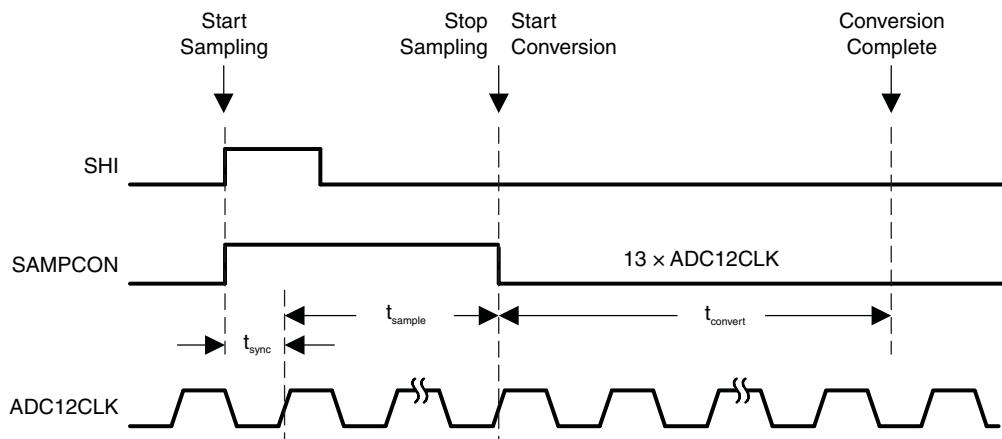


Figure 22-4. Pulse Sample Mode

### Sample Timing Considerations

When SAMPCON = 0, all Ax inputs are high impedance. When SAMPCON = 1, the selected Ax input can be modeled as an RC low-pass filter during the sampling time  $t_{\text{sample}}$  (see Figure 22-5). An internal MUX-on input resistance  $R_I$  (maximum 1.8 k $\Omega$ ) in series with capacitor  $C_I$  (25 pF maximum) is seen by the source. The capacitor  $C_I$  voltage  $V_C$  must be charged to within one-half LSB of the source voltage  $V_S$  for an accurate n-bit conversion, where n is the bits of resolution required.

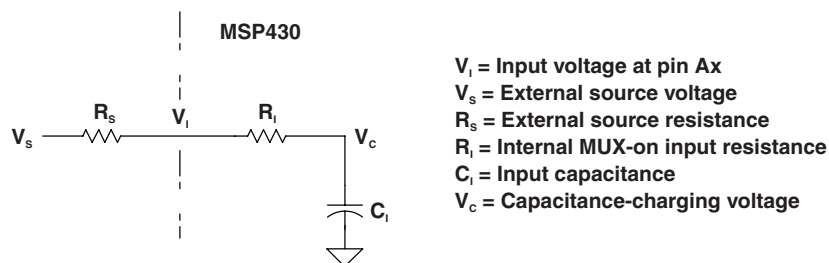


Figure 22-5. Analog Input Equivalent Circuit

The resistance of the source  $R_S$  and  $R_I$  affect  $t_{\text{sample}}$ . The following equation can be used to calculate the minimum sampling time  $t_{\text{sample}}$  for a n-bit conversion, where n equals the bits of resolution:

$$t_{\text{sample}} > (R_S + R_I) \times \ln(2^{n+1}) \times C_I + 800 \text{ ns}$$

Substituting the values for  $R_I$  and  $C_I$  given above, the equation becomes:

$$t_{\text{sample}} > (R_S + 1.8 \text{ k}\Omega) \times \ln(2^{n+1}) \times 25 \text{ pF} + 800 \text{ ns}$$

For example, for 12-bit resolution, if  $R_S$  is 10 k $\Omega$ ,  $t_{\text{sample}}$  must be greater than 3.46  $\mu\text{s}$ .

## 22.2.6 Conversion Memory

There are 16 ADC12MEMx conversion memory registers to store conversion results. Each ADC12MEMx is configured with an associated ADC12MCTLx control register. The SREFx bits define the voltage reference and the INCHx bits select the input channel. The ADC12EOS bit defines the end of sequence when a sequential conversion mode is used. A sequence rolls over from ADC12MEM15 to ADC12MEM0 when the ADC12EOS bit in ADC12MCTL15 is not set.

The CSTARTADDx bits define the first ADC12MCTLx used for any conversion. If the conversion mode is single-channel or repeat-single-channel, the CSTARTADDx points to the single ADC12MCTLx to be used.

If the conversion mode selected is either sequence-of-channels or repeat-sequence-of-channels, CSTARTADDx points to the first ADC12MCTLx location to be used in a sequence. A pointer, not visible to software, is incremented automatically to the next ADC12MCTLx in a sequence when each conversion completes. The sequence continues until an ADC12EOS bit in ADC12MCTLx is processed; this is the last control byte processed.

When conversion results are written to a selected ADC12MEMx, the corresponding flag in the ADC12IFGx register is set.

There are two formats available to store the conversion result, ADC12MEMx. When ADC12DF = 0, the conversion is right justified, unsigned. For 8-bit, 10-bit, and 12-bit resolutions, the upper 8, 6, and 4 bits of ADC12MEMx are always zeros, respectively. When ADC12DF = 1, the conversion result is left justified, two's complement. For 8-bit, 10-bit, and 12-bit resolutions, the lower 8, 6, and 4 bits of ADC12MEMx are always zeros, respectively. This is summarized in [Table 22-1](#).

**Table 22-1. ADC12\_A Conversion Result Formats**

Analog Input Voltage	ADC12DF	ADC12RES	Ideal Conversion Results	ADC12MEMx
-V <sub>REF</sub> to +V <sub>REF</sub>	0	00	0 to 255	0000h - 00FFh
	0	01	0 to 1023	0000h - 03FFh
	0	10	0 to 4095	0000h - 0FFFh
	1	00	-128 to 127	8000h - 7F00h
	1	01	-512 to 511	8000h - 7FC0h
	1	10	-2048 to 2047	8000h - 7FF0h

## 22.2.7 ADC12\_A Conversion Modes

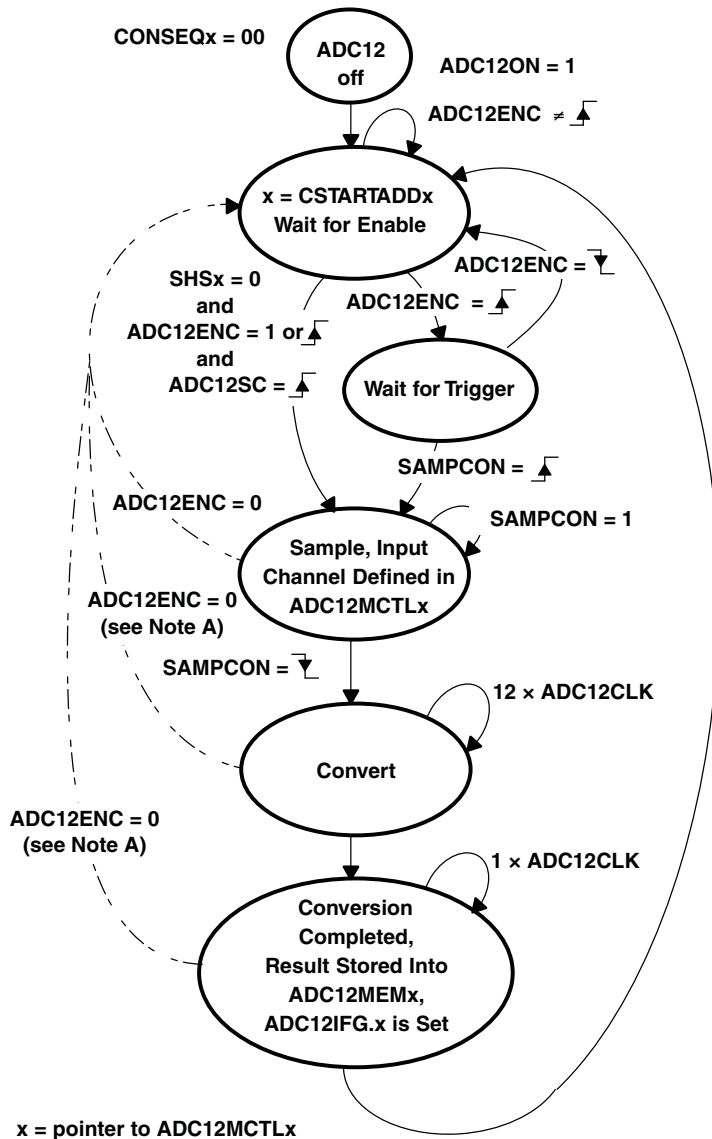
The ADC12\_A has four operating modes selected by the CONSEQx bits as listed in [Table 22-2](#). All state diagrams assume a 12-bit resolution setting.

**Table 22-2. Conversion Mode Summary**

ADC12CONSEQx	Mode	Operation
00	Single-channel single-conversion	A single channel is converted once.
01	Sequence-of-channels	A sequence of channels is converted once.
10	Repeat-single-channel	A single channel is converted repeatedly.
11	Repeat-sequence-of-channels	A sequence of channels is converted repeatedly.

### Single-Channel Single-Conversion Mode

A single channel is sampled and converted once. The ADC result is written to the ADC12MEMx defined by the CSTARTADDx bits. Figure 22-6 shows the flow of the single-channel single-conversion mode. When ADC12SC triggers a conversion, successive conversions can be triggered by the ADC12SC bit. When any other trigger source is used, ADC12ENC must be toggled between each conversion.



A Conversion result is unpredictable.

Figure 22-6. Single-Channel Single-Conversion Mode

## Sequence-of-Channels Mode

A sequence of channels is sampled and converted once. The ADC results are written to the conversion memories starting with the ADCMEMx defined by the CSTARTADDx bits. The sequence stops after the measurement of the channel with a set ADC12EOS bit. Figure 22-7 shows the sequence-of-channels mode. When ADC12SC triggers a sequence, successive sequences can be triggered by the ADC12SC bit. When any other trigger source is used, ADC12ENC must be toggled between each sequence.

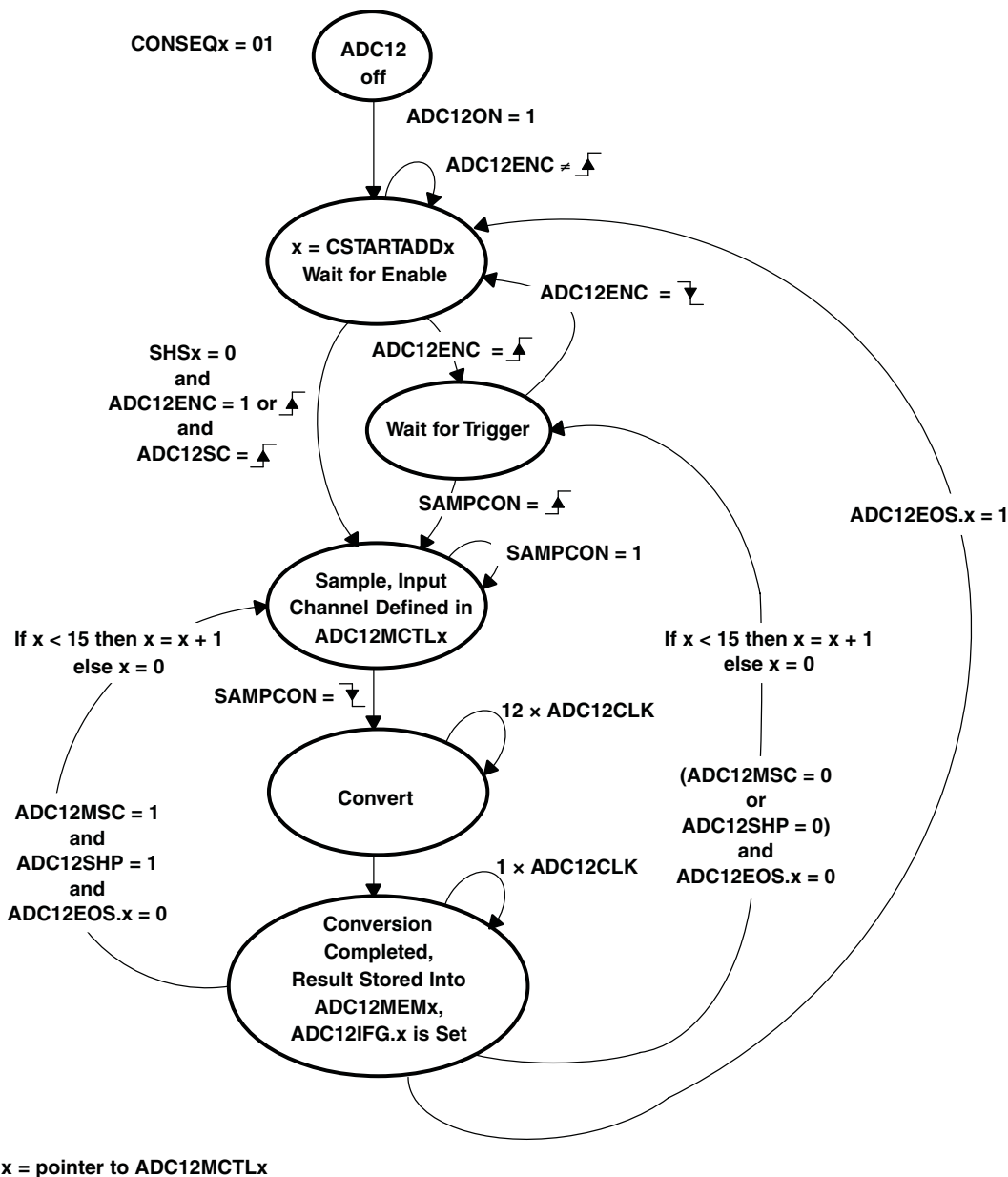


Figure 22-7. Sequence-of-Channels Mode

### Repeat-Single-Channel Mode

A single channel is sampled and converted continuously. The ADC results are written to the ADC12MEMx defined by the CSTARTADDx bits. It is necessary to read the result after the completed conversion because only one ADC12MEMx memory is used and is overwritten by the next conversion. [Figure 22-8](#) shows the repeat-single-channel mode.

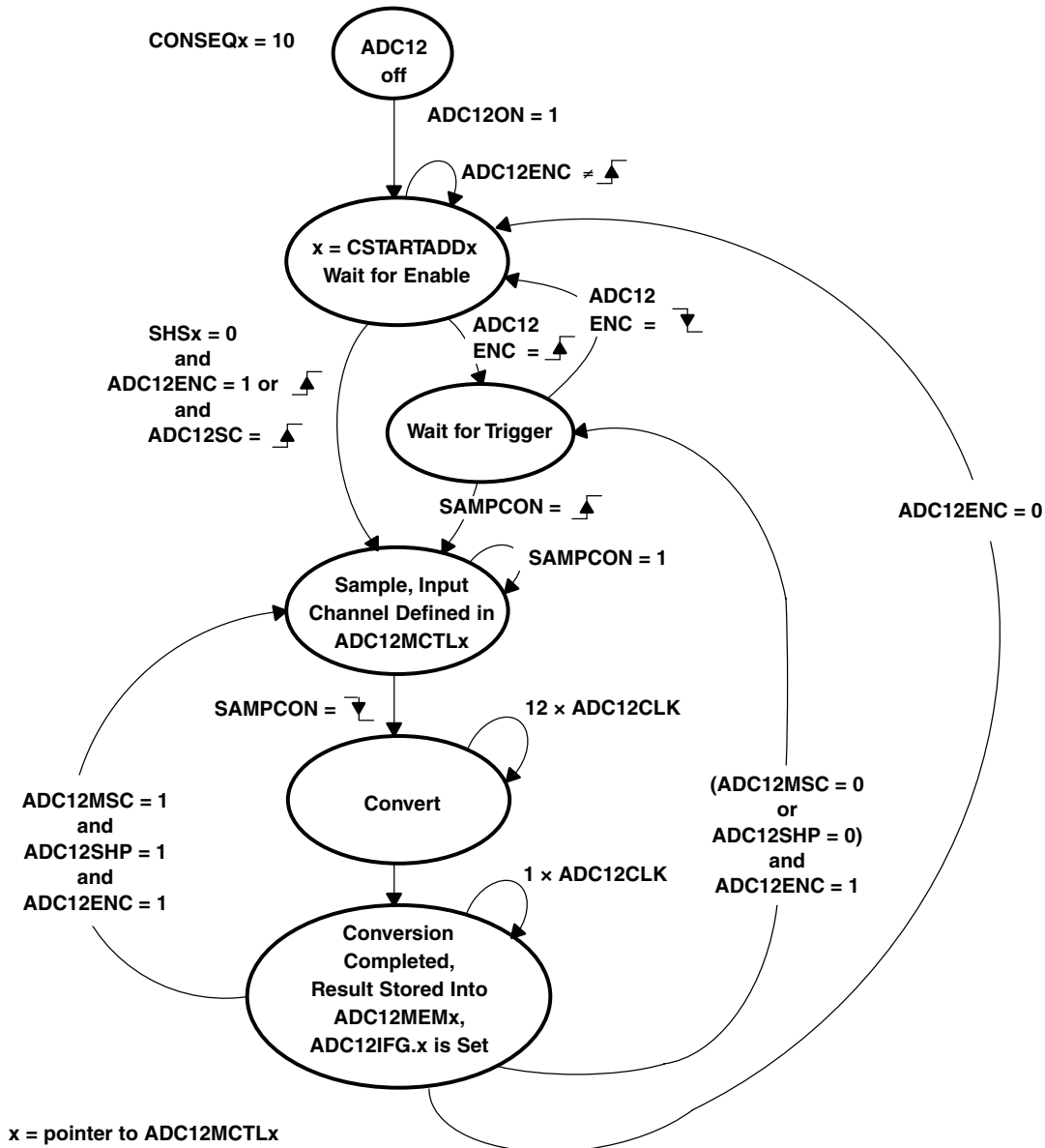


Figure 22-8. Repeat-Single-Channel Mode

## Repeat-Sequence-of-Channels Mode

A sequence of channels is sampled and converted repeatedly. The ADC results are written to the conversion memories starting with the ADC12MEMx defined by the CSTARTADDx bits. The sequence ends after the measurement of the channel with a set ADC12EOS bit and the next trigger signal restarts the sequence. Figure 22-9 shows the repeat-sequence-of-channels mode.

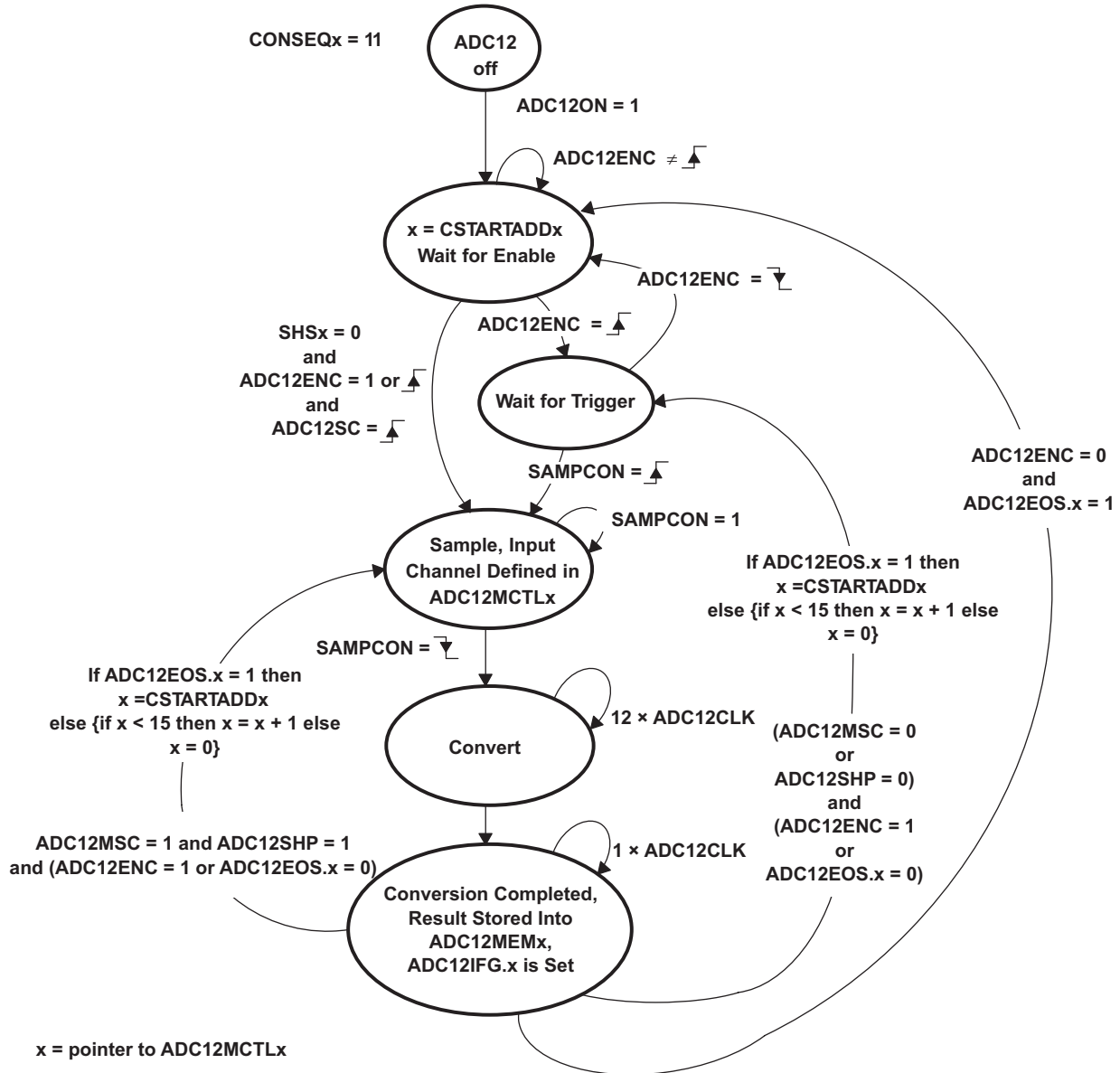


Figure 22-9. Repeat-Sequence-of-Channels Mode



## Using the Multiple Sample and Convert (ADC12MSC) Bit

To configure the converter to perform successive conversions automatically and as quickly as possible, a multiple sample and convert function is available. When  $ADC12MSC = 1$ ,  $CONSEQx > 0$ , and the sample timer is used, the first rising edge of the SHI signal triggers the first conversion. Successive conversions are triggered automatically as soon as the prior conversion is completed. Additional rising edges on SHI are ignored until the sequence is completed in the single-sequence mode, or until the ADC12ENC bit is toggled in repeat-single-channel or repeated-sequence modes. The function of the ADC12ENC bit is unchanged when using the ADC12MSC bit.

## Stopping Conversions

Stopping ADC12\_A activity depends on the mode of operation. The recommended ways to stop an active conversion or conversion sequence are:

- Resetting ADC12ENC in single-channel single-conversion mode stops a conversion immediately and the results are unpredictable. For correct results, poll the busy bit until reset before clearing ADC12ENC.
- Resetting ADC12ENC during repeat-single-channel operation stops the converter at the end of the current conversion.
- Resetting ADC12ENC during a sequence or repeat-sequence mode stops the converter at the end of the sequence.
- Any conversion mode may be stopped immediately by setting the  $CONSEQx = 0$  and resetting the ADC12ENC bit. Conversion data are unreliable.

---

**Note: No ADC12EOS bit set for sequence**

If no ADC12EOS bit is set and a sequence mode is selected, resetting the ADC12ENC bit does not stop the sequence. To stop the sequence, first select a single-channel mode and then reset ADC12ENC.

---

### 22.2.8 Using the Integrated Temperature Sensor

To use the on-chip temperature sensor, the user selects the analog input channel  $INCHx = 1010$ . Any other configuration is done as if an external channel was selected, including reference selection, conversion-memory selection, etc. The temperature sensor is in the ADC12\_A in the MSP430F54xx devices, while it is part of the REF module in other devices.

A typical temperature sensor transfer function is shown in Figure 22-10 (see the device-specific data sheet for actual parameters). When using the temperature sensor, the sample period must be greater than 30  $\mu$ s. The temperature sensor offset error can be large and may need to be calibrated for most applications.

Selecting the temperature sensor automatically turns on the on-chip reference generator as a voltage source for the temperature sensor. However, it does not enable the  $V_{REF+}$  output or affect the reference selections for the conversion. The reference choices for converting the temperature sensor are the same as with any other channel.

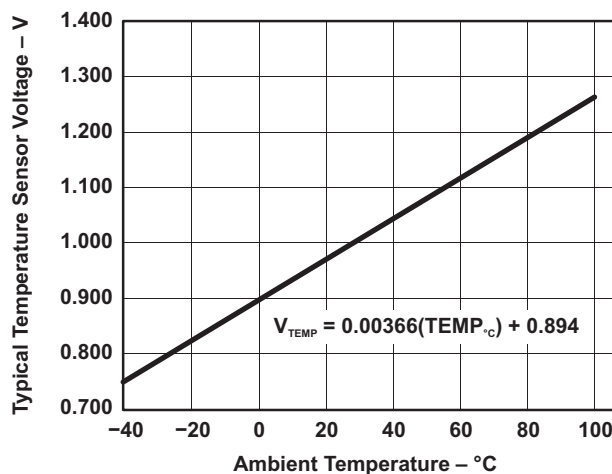


Figure 22-10. Typical Temperature Sensor Transfer Function

### 22.2.9 ADC12\_A Grounding and Noise Considerations

As with any high-resolution ADC, appropriate printed-circuit-board layout and grounding techniques should be followed to eliminate ground loops, unwanted parasitic effects, and noise.

Ground loops are formed when return current from the A/D flows through paths that are common with other analog or digital circuitry. If care is not taken, this current can generate small, unwanted offset voltages that can add to or subtract from the reference or input voltages of the ADC. The connections shown in [Figure 22-11](#) prevent this.

In addition to grounding, ripple and noise spikes on the power-supply lines due to digital switching or switching power supplies can corrupt the conversion result. A noise-free design using separate analog and digital ground planes with a single-point connection is recommended to achieve high accuracy.

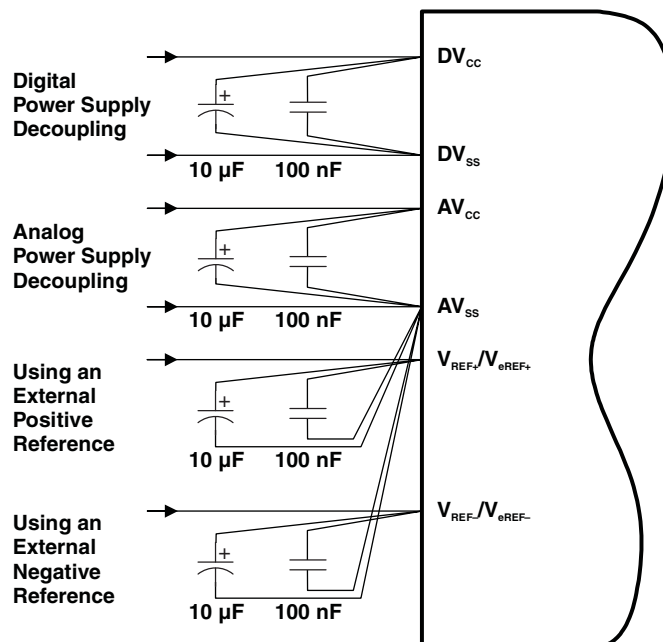


Figure 22-11. ADC12\_A Grounding and Noise Considerations

### 22.2.10 ADC12\_A Interrupts

The ADC12\_A has 18 interrupt sources:

- ADC12IFG0-ADC12IFG15
- ADC12OV, ADC12MEMx overflow
- ADC12TOV, ADC12\_A conversion time overflow

The ADC12IFGx bits are set when their corresponding ADC12MEMx memory register is loaded with a conversion result. An interrupt request is generated if the corresponding ADC12IFGx bit and the GIE bit are set. The ADC12OV condition occurs when a conversion result is written to any ADC12MEMx before its previous conversion result was read. The ADC12TOV condition is generated when another sample-and-conversion is requested before the current conversion is completed. The DMA is triggered after the conversion in single-channel conversion mode or after the completion of a sequence of channel conversions in sequence-of-channels conversion mode.

### ADC12IV, Interrupt Vector Generator

All ADC12\_A interrupt sources are prioritized and combined to source a single interrupt vector. The interrupt vector register ADC12IV is used to determine which enabled ADC12\_A interrupt source requested an interrupt.

The highest-priority enabled ADC12\_A interrupt generates a number in the ADC12IV register (see register description). This number can be evaluated or added to the program counter (PC) to automatically enter the appropriate software routine. Disabled ADC12\_A interrupts do not affect the ADC12IV value.

Any access, read or write, of the ADC12IV register automatically resets the ADC12OV condition or the ADC12TOV condition, if either was the highest-pending interrupt. Neither interrupt condition has an accessible interrupt flag. The ADC12IFGx flags are not reset by an ADC12IV access. ADC12IFGx bits are reset automatically by accessing their associated ADC12MEMx register or may be reset with software.

If another interrupt is pending after servicing of an interrupt, another interrupt is generated. For example, if the ADC12OV and ADC12IFG3 interrupts are pending when the interrupt service routine accesses the ADC12IV register, the ADC12OV interrupt condition is reset automatically. After the RETI instruction of the interrupt service routine is executed, the ADC12IFG3 generates another interrupt.

## ADC12\_A Interrupt Handling Software Example

The following software example shows the recommended use of the ADC12IV and handling overhead. The ADC12IV value is added to the PC to automatically jump to the appropriate routine.

The numbers at the right margin show the necessary CPU cycles for each instruction. The software overhead for different interrupt sources includes interrupt latency and return-from-interrupt cycles, but not the task handling itself. The latencies are:

- ADC12IFG0–ADC12IFG14, ADC12TOV, and ADC12OV: 16 cycles
- ADC12IFG15: 14 cycles

The interrupt handler for ADC12IFG15 shows a way to check immediately if a higher-prioritized interrupt occurred during the processing of ADC12IFG15. This saves nine cycles if another ADC12\_A interrupt is pending.

```

; Interrupt handler for ADC12.
INT_ADC12      ; Enter Interrupt Service Routine
  ADD    &ADC12IV,PC    ; Add offset to PC
  RETI                               ; Vector 0: No interrupt
  JMP    ADOV           ; Vector 2: ADC overflow
  JMP    ADTOV          ; Vector 4: ADC timing overflow
  JMP    ADM0           ; Vector 6: ADC12IFG0
  ...                               ; Vectors 8-32
  JMP    ADM14          ; Vector 34: ADC12IFG14
;
; Handler for ADC12IFG15 starts here. No JMP required.
;
ADM15    MOV    &ADC12MEM15,xxx    ; Move result, flag is reset
        ...                               ; Other instruction needed?
        JMP    INT_ADC12          ; Check other int pending
;
; ADC12IFG14-ADC12IFG1 handlers go here
;
ADM0     MOV    &ADC12MEM0,xxx     ; Move result, flag is reset
        ...                               ; Other instruction needed?
RETI                               ; Return
;
ADTOV   ...                               ; Handle Conv. time overflow
        RETI                               ; Return
;
ADOV    ...                               ; Handle ADCMEMx overflow
        RETI                               ; Return

```

## 22.3 ADC12\_A Registers

The ADC12\_A registers are listed in [Table 22-3](#). The base address of the ADC12\_A can be found in the device-specific data sheet. The address offset of each ADC12\_A register is given in [Table 22-3](#).

**Note:** All registers have word or byte register access. For a generic register *ANYREG*, the suffix "\_L" (*ANYREG\_L*) refers to the lower byte of the register (bits 0 through 7). The suffix "\_H" (*ANYREG\_H*) refers to the upper byte of the register (bits 8 through 15).

**Table 22-3. ADC12\_A Registers**

Register	Short Form	Register Type	Register Access	Address Offset	Initial State
ADC12_A Control 0	ADC12CTL0	Read/write	Word	00h	0000h
	ADC12CTL0_L	Read/write	Byte	00h	00h
	ADC12CTL0_H	Read/write	Byte	01h	00h
ADC12_A Control 1	ADC12CTL1	Read/write	Word	02h	0000h
	ADC12CTL1_L	Read/write	Byte	02h	00h
	ADC12CTL1_H	Read/write	Byte	03h	00h
ADC12_A Control 2	ADC12CTL2	Read/write	Word	04h	0000h
	ADC12CTL2_L	Read/write	Byte	04h	00h
	ADC12CTL2_H	Read/write	Byte	05h	00h
ADC12_A Interrupt Flag	ADC12IFG	Read/write	Word	0Ah	0000h
	ADC12IFG_L	Read/write	Byte	0Ah	00h
	ADC12IFG_H	Read/write	Byte	0Bh	00h
ADC12_A Interrupt Enable	ADC12IE	Read/write	Word	0Ch	0000h
	ADC12IE_L	Read/write	Byte	0Ch	00h
	ADC12IE_H	Read/write	Byte	0Dh	00h
ADC12_A Interrupt Vector	ADC12IV	Read	Word	0Eh	0000h
	ADC12IV_L	Read	Byte	0Eh	00h
	ADC12IV_H	Read	Byte	0Fh	00h
ADC12_A Memory 0	ADC12MEM0	Read/write	Word	20h	undefined
	ADC12MEM0_L	Read/write	Byte	20h	undefined
	ADC12MEM0_H	Read/write	Byte	21h	undefined
ADC12_A Memory 1	ADC12MEM1	Read/write	Word	22h	undefined
	ADC12MEM1_L	Read/write	Byte	22h	undefined
	ADC12MEM1_H	Read/write	Byte	23h	undefined
ADC12_A Memory 2	ADC12MEM2	Read/write	Word	24h	undefined
	ADC12MEM2_L	Read/write	Byte	24h	undefined
	ADC12MEM2_H	Read/write	Byte	25h	undefined
ADC12_A Memory 3	ADC12MEM3	Read/write	Word	26h	undefined
	ADC12MEM3_L	Read/write	Byte	26h	undefined
	ADC12MEM3_H	Read/write	Byte	27h	undefined
ADC12_A Memory 4	ADC12MEM4	Read/write	Word	28h	undefined
	ADC12MEM4_L	Read/write	Byte	28h	undefined
	ADC12MEM4_H	Read/write	Byte	29h	undefined
ADC12_A Memory 5	ADC12MEM5	Read/write	Word	2Ah	undefined
	ADC12MEM5_L	Read/write	Byte	2Ah	undefined
	ADC12MEM5_H	Read/write	Byte	2Bh	undefined

**Table 22-3. ADC12\_A Registers (continued)**

Register	Short Form	Register Type	Register Access	Address Offset	Initial State
ADC12_A Memory 6	ADC12MEM6	Read/write	Word	2Ch	undefined
	ADC12MEM6_L	Read/write	Byte	2Ch	undefined
	ADC12MEM6_H	Read/write	Byte	2Dh	undefined
ADC12_A Memory 7	ADC12MEM7	Read/write	Word	2Eh	undefined
	ADC12MEM7_L	Read/write	Byte	2Eh	undefined
	ADC12MEM7_H	Read/write	Byte	2Fh	undefined
ADC12_A Memory 8	ADC12MEM8	Read/write	Word	30h	undefined
	ADC12MEM8_L	Read/write	Byte	30h	undefined
	ADC12MEM8_H	Read/write	Byte	31h	undefined
ADC12_A Memory 9	ADC12MEM9	Read/write	Word	32h	undefined
	ADC12MEM9_L	Read/write	Byte	32h	undefined
	ADC12MEM9_H	Read/write	Byte	33h	undefined
ADC12_A Memory 10	ADC12MEM10	Read/write	Word	34h	undefined
	ADC12MEM10_L	Read/write	Byte	34h	undefined
	ADC12MEM10_H	Read/write	Byte	35h	undefined
ADC12_A Memory 11	ADC12MEM11	Read/write	Word	36h	undefined
	ADC12MEM11_L	Read/write	Byte	36h	undefined
	ADC12MEM11_H	Read/write	Byte	37h	undefined
ADC12_A Memory 12	ADC12MEM12	Read/write	Word	38h	undefined
	ADC12MEM12_L	Read/write	Byte	38h	undefined
	ADC12MEM12_H	Read/write	Byte	39h	undefined
ADC12_A Memory 13	ADC12MEM13	Read/write	Word	3Ah	undefined
	ADC12MEM13_L	Read/write	Byte	3Ah	undefined
	ADC12MEM13_H	Read/write	Byte	3Bh	undefined
ADC12_A Memory 14	ADC12MEM14	Read/write	Word	3Ch	undefined
	ADC12MEM14_L	Read/write	Byte	3Ch	undefined
	ADC12MEM14_H	Read/write	Byte	3Dh	undefined
ADC12_A Memory 15	ADC12MEM15	Read/write	Word	3Dh	undefined
	ADC12MEM15_L	Read/write	Byte	3Dh	undefined
	ADC12MEM15_H	Read/write	Byte	3Eh	undefined
ADC12_A Memory Control 0	ADC12MCTL0	Read/write	Byte	10h	undefined
ADC12_A Memory Control 1	ADC12MCTL1	Read/write	Byte	11h	undefined
ADC12_A Memory Control 2	ADC12MCTL2	Read/write	Byte	12h	undefined
ADC12_A Memory Control 3	ADC12MCTL3	Read/write	Byte	13h	undefined
ADC12_A Memory Control 4	ADC12MCTL4	Read/write	Byte	14h	undefined
ADC12_A Memory Control 5	ADC12MCTL5	Read/write	Byte	15h	undefined
ADC12_A Memory Control 6	ADC12MCTL6	Read/write	Byte	16h	undefined
ADC12_A Memory Control 7	ADC12MCTL7	Read/write	Byte	17h	undefined
ADC12_A Memory Control 8	ADC12MCTL8	Read/write	Byte	18h	undefined
ADC12_A Memory Control 9	ADC12MCTL9	Read/write	Byte	19h	undefined
ADC12_A Memory Control 10	ADC12MCTL10	Read/write	Byte	1Ah	undefined
ADC12_A Memory Control 11	ADC12MCTL11	Read/write	Byte	1Bh	undefined
ADC12_A Memory Control 12	ADC12MCTL12	Read/write	Byte	1Ch	undefined
ADC12_A Memory Control 13	ADC12MCTL13	Read/write	Byte	1Dh	undefined
ADC12_A Memory Control 14	ADC12MCTL14	Read/write	Byte	1Eh	undefined

**Table 22-3. ADC12\_A Registers (continued)**

Register	Short Form	Register Type	Register Access	Address Offset	Initial State
ADC12_A Memory Control 15	ADC12MCTL15	Read/write	Byte	1Fh	undefined



**ADC12\_A Control Register 0 (ADC12CTL0)**

15	14	13	12	11	10	9	8
<b>ADC12SHT1x</b>				<b>ADC12SHT0x</b>			
rw-(0)	rw-(0)	rw-(0)	rw-(0)	rw-(0)	rw-(0)	rw-(0)	rw-(0)
7	6	5	4	3	2	1	0
<b>ADC12MSC</b>	<b>ADC12REF2_5V</b>	<b>ADC12REFON</b>	<b>ADC12ON</b>	<b>ADC12OVIE</b>	<b>ADC12TOVIE</b>	<b>ADC12ENC</b>	<b>ADC12SC</b>
rw-(0)	rw-(0)	rw-(0)	rw-(0)	rw-(0)	rw-(0)	rw-(0)	rw-(0)

Modifiable only when ADC12ENC = 0

**ADC12SHT1x** Bits 15-12 ADC12\_A sample-and-hold time. These bits define the number of ADC12CLK cycles in the sampling period for registers ADC12MEM8 to ADC12MEM15.

**ADC12SHT0x** Bits 11-8 ADC12\_A sample-and-hold time. These bits define the number of ADC12CLK cycles in the sampling period for registers ADC12MEM0 to ADC12MEM7.

ADC12SHTx Bits	ADC12CLK Cycles
0000	4
0001	8
0010	16
0011	32
0100	64
0101	96
0110	128
0111	192
1000	256
1001	384
1010	512
1011	768
1100	1024
1101	1024
1110	1024
1111	1024

**ADC12MSC** Bit 7 ADC12\_A multiple sample and conversion. Valid only for sequence or repeated modes.  
 0 The sampling timer requires a rising edge of the SHI signal to trigger each sample-and-convert.  
 1 The first rising edge of the SHI signal triggers the sampling timer, but further sample-and-conversions are performed automatically as soon as the prior conversion is completed.

**ADC12REF2\_5V** Bit 6 ADC12\_A reference generator voltage. ADC12REFON must also be set.

0 1.5 V

1 2.5 V

**ADC12REFON** Bit 5 ADC12\_A reference generator on. In devices with the REF module, this bit is only valid if the REFMSTR bit of the REF module is set to 0. In the 'F54xx device, the REF module is not available.

0 Reference off

1 Reference on

**ADC12ON** Bit 4 ADC12\_A on

0 ADC12\_A off

1 ADC12\_A on

**ADC12\_A Registers**

www.ti.com

---

<b>ADC12OVIE</b>	Bit 3	ADC12MEMx overflow-interrupt enable. The GIE bit must also be set to enable the interrupt.
		0 Overflow interrupt disabled
		1 Overflow interrupt enabled
<b>ADC12TOVIE</b>	Bit 2	ADC12_A conversion-time-overflow interrupt enable. The GIE bit must also be set to enable the interrupt.
		0 Conversion time overflow interrupt disabled
		1 Conversion time overflow interrupt enabled
<b>ADC12ENC</b>	Bit 1	ADC12_A enable conversion
		0 ADC12_A disabled
		1 ADC12_A enabled
<b>ADC12SC</b>	Bit 0	ADC12_A start conversion. Software-controlled sample-and-conversion start. ADC12SC and ADC12ENC may be set together with one instruction. ADC12SC is reset automatically.
		0 No sample-and-conversion-start
		1 Start sample-and-conversion

**ADC12\_A Control Register 1 (ADC12CTL1)**

15	14	13	12	11	10	9	8
<b>ADC12CSTARTADDx</b>				<b>ADC12SHSx</b>		<b>ADC12SHP</b>	<b>ADC12ISSH</b>
rw-(0)	rw-(0)	rw-(0)	rw-(0)	rw-(0)	rw-(0)	rw-(0)	rw-(0)
7	6	5	4	3	2	1	0
<b>ADC12DIVx</b>			<b>ADC12SSELx</b>		<b>ADC12CONSEQx</b>		<b>ADC12BUSY</b>
rw-(0)	rw-(0)	rw-(0)	rw-(0)	rw-(0)	rw-(0)	rw-(0)	r-(0)

Modifiable only when ADC12ENC = 0

<b>ADC12CSTARTADDx</b>	Bits 15-12	ADC12_A conversion start address. These bits select which ADC12_A conversion-memory register is used for a single conversion or for the first conversion in a sequence. The value of CSTARTADDx is 0 to 0Fh, corresponding to ADC12MEM0 to ADC12MEM15.
<b>ADC12SHSx</b>	Bits 11-10	ADC12_A sample-and-hold source select 00 ADC12SC bit 01 Timer source (see device-specific data sheet for exact timer and locations) 10 Timer source (see device-specific data sheet for exact timer and locations) 11 Timer source (see device-specific data sheet for exact timer and locations)
<b>ADC12SHP</b>	Bit 9	ADC12_A sample-and-hold pulse-mode select. This bit selects the source of the sampling signal (SAMPCON) to be either the output of the sampling timer or the sample-input signal directly. 0 SAMPCON signal is sourced from the sample-input signal. 1 SAMPCON signal is sourced from the sampling timer.
<b>ADC12ISSH</b>	Bit 8	ADC12_A invert signal sample-and-hold 0 The sample-input signal is not inverted. 1 The sample-input signal is inverted.
<b>ADC12DIVx</b>	Bits 7-5	ADC12_A clock divider 000 /1 001 /2 010 /3 011 /4 100 /5 101 /6 110 /7 111 /8
<b>ADC12SSELx</b>	Bits 4-3	ADC12_A clock source select 00 ADC12OSC (MODOSC) 01 ACLK 10 MCLK 11 SMCLK
<b>ADC12CONSEQx</b>	Bits 2-1	ADC12_A conversion sequence mode select 00 Single-channel, single-conversion 01 Sequence-of-channels 10 Repeat-single-channel 11 Repeat-sequence-of-channels
<b>ADC12BUSY</b>	Bit 0	ADC12_A busy. This bit indicates an active sample or conversion operation. 0 No operation is active. 1 A sequence, sample, or conversion is active.

**ADC12\_A Control Register 2 (ADC12CTL2)**

15	14	13	12	11	10	9	8
Reserved							ADC12PDIV
r-0	r-0	r-0	r-0	r-0	r-0	r-0	rw-0
7	6	5	4	3	2	1	0
ADC12TCOFF	Reserved	ADC12RES		ADC12DF	ADC12SR	ADC12REFOUT	ADC12REFBURST
rw-(0)	r-0	rw-(1)	rw-(0)	rw-(0)	rw-(0)	rw-(0)	rw-(0)

Modifiable only when ADC12ENC = 0

<b>Reserved</b>	Bits 15-9	Reserved. Read back as 0.
<b>ADC12PDIV</b>	Bit 8	ADC12_A predivider. This bit predivides the selected ADC12_A clock source. 0 Predivide by 1 1 Predivide by 4
<b>ADC12TCOFF</b>	Bit 7	ADC12_A temperature sensor off. If the bit is set, the temperature sensor turned off. This is used to save power.
<b>Reserved</b>	Bit 6	Reserved. Read back as 0.
<b>ADC12RES</b>	Bits 5-4	ADC12_A resolution. This bit defines the conversion result resolution. 00 8 bit (9 clock cycle conversion time) 01 10 bit (11 clock cycle conversion time) 10 12 bit (13 clock cycle conversion time) 11 Reserved
<b>ADC12DF</b>	Bit 3	ADC12_A data read-back format. Data is always stored in the binary unsigned format. 0 Binary unsigned. Theoretically the analog input voltage – V <sub>REF</sub> results in 0000h, the analog input voltage + V <sub>REF</sub> results in 0FFFh. 1 Signed binary (2s complement), left aligned. Theoretically the analog input voltage – V <sub>REF</sub> results in 8000h, the analog input voltage + V <sub>REF</sub> results in 7FF0h.
<b>ADC12SR</b>	Bit 2	ADC12_A sampling rate. This bit selects the reference buffer drive capability for the maximum sampling rate. Setting ADC12SR reduces the current consumption of the reference buffer. 0 Reference buffer supports up to ~200 ksps. 1 Reference buffer supports up to ~50 ksps.
<b>ADC12REFOUT</b>	Bit 1	Reference output 0 Reference output off 1 Reference output on
<b>ADC12REFBURST</b>	Bit 0	Reference burst. ADC12REFOUT must also be set. 0 Reference buffer on continuously 1 Reference buffer on only during sample-and-conversion

**ADC12\_A Conversion Memory Register (ADC12MEMx)**

15	14	13	12	11	10	9	8
0	0	0	0	Conversion Results			
r0	r0	r0	r0	rw	rw	rw	rw
7	6	5	4	3	2	1	0
Conversion Results							
rw	rw	rw	rw	rw	rw	rw	rw

<b>Conversion Results</b>	Bits 15-0	The 12-bit conversion results are right justified. Bit 11 is the MSB. Bits 15–12 are 0 in 12-bit mode, bits 15–10 are 0 in 10-bit mode, and bits 15–8 are 0 in 8-bit mode. Writing to the conversion memory registers corrupts the results. This data format is used if ADC12DF = 0.
---------------------------	-----------	--

**ADC12\_A Conversion Memory Register (ADC12MEMx), 2s-Complement Format**

15	14	13	12	11	10	9	8
<b>Conversion Results</b>							
rw	rw	rw	rw	rw	rw	rw	rw
7	6	5	4	3	2	1	0
<b>Conversion Results</b>				<b>0</b>	<b>0</b>	<b>0</b>	<b>0</b>
rw	rw	rw	rw	r0	r0	r0	r0

**Conversion Results**      Bits 15-0      The 12-bit conversion results are left justified, 2s-complement format. Bit 15 is the MSB. Bits 3–0 are 0 in 12-bit mode, bits 5–0 are 0 in 10-bit mode, and bits 7–0 are 0 in 8-bit mode. This data format is used if ADC12DF = 1. The data is stored in the right-justified format and is converted to the left-justified 2s-complement format during read back.

**ADC12\_A Conversion Memory Control Register (ADC12MCTLx)**

7	6	5	4	3	2	1	0
<b>ADC12EOS</b>	<b>ADC12SREFx</b>			<b>ADC12INCHx</b>			
rw	rw	rw	rw	rw	rw	rw	rw

Modifiable only when ADC12ENC = 0

**ADC12EOS**      Bit 7      End of sequence. Indicates the last conversion in a sequence.

0      Not end of sequence

1      End of sequence

**ADC12SREFx**      Bits 6-4      Select reference

000       $V_{R+} = AV_{CC}$  and  $V_{R-} = AV_{SS}$

001       $V_{R+} = V_{REF+}$  and  $V_{R-} = AV_{SS}$

010       $V_{R+} = V_{eREF+}$  and  $V_{R-} = AV_{SS}$

011       $V_{R+} = V_{eREF+}$  and  $V_{R-} = AV_{SS}$

100       $V_{R+} = AV_{CC}$  and  $V_{R-} = V_{REF-} / V_{eREF-}$

101       $V_{R+} = V_{REF+}$  and  $V_{R-} = V_{REF-} / V_{eREF-}$

110       $V_{R+} = V_{eREF+}$  and  $V_{R-} = V_{REF-} / V_{eREF-}$

111       $V_{R+} = V_{eREF+}$  and  $V_{R-} = V_{REF-} / V_{eREF-}$

**ADC12INCHx**      Bits 3-0      Input channel select

0000      A0

0001      A1

0010      A2

0011      A3

0100      A4

0101      A5

0110      A6

0111      A7

1000       $V_{eREF+}$

1001       $V_{REF-} / V_{eREF-}$

1010      Temperature diode

1011       $(AV_{CC} - AV_{SS}) / 2$

1100      A12

1101      A13

1110      A14

1111      A15

**ADC12\_A Interrupt Enable Register (ADC12IE)**

15	14	13	12	11	10	9	8
<b>ADC12IE15</b>	<b>ADC12IE14</b>	<b>ADC12IE13</b>	<b>ADC12IE12</b>	<b>ADC12IE11</b>	<b>ADC12IE10</b>	<b>ADC12IFG9</b>	<b>ADC12IE8</b>
rw-(0)	rw-(0)	rw-(0)	rw-(0)	rw-(0)	rw-(0)	rw-(0)	rw-(0)
7	6	5	4	3	2	1	0
<b>ADC12IE7</b>	<b>ADC12IE6</b>	<b>ADC12IE5</b>	<b>ADC12IE4</b>	<b>ADC12IE3</b>	<b>ADC12IE2</b>	<b>ADC12IE1</b>	<b>ADC12IE0</b>
rw-(0)	rw-(0)	rw-(0)	rw-(0)	rw-(0)	rw-(0)	rw-(0)	rw-(0)

**ADC12IE<sub>x</sub>**      Bits 15-0    Interrupt enable. These bits enable or disable the interrupt request for the ADC12IFG<sub>x</sub> bits.

0            Interrupt disabled

1            Interrupt enabled

**ADC12\_A Interrupt Flag Register (ADC12IFG)**

15	14	13	12	11	10	9	8
<b>ADC12IFG15</b>	<b>ADC12IFG14</b>	<b>ADC12IFG13</b>	<b>ADC12IFG12</b>	<b>ADC12IFG11</b>	<b>ADC12IFG10</b>	<b>ADC12IFG9</b>	<b>ADC12IFG8</b>
rw-(0)	rw-(0)	rw-(0)	rw-(0)	rw-(0)	rw-(0)	rw-(0)	rw-(0)
7	6	5	4	3	2	1	0
<b>ADC12IFG7</b>	<b>ADC12IFG6</b>	<b>ADC12IFG5</b>	<b>ADC12IFG4</b>	<b>ADC12IFG3</b>	<b>ADC12IFG2</b>	<b>ADC12IFG1</b>	<b>ADC12IFG0</b>
rw-(0)	rw-(0)	rw-(0)	rw-(0)	rw-(0)	rw-(0)	rw-(0)	rw-(0)

**ADC12IFG<sub>x</sub>**      Bits 15-0    ADC12MEM<sub>x</sub> interrupt flag. These bits are set when corresponding ADC12MEM<sub>x</sub> is loaded with a conversion result. The ADC12IFG<sub>x</sub> bits are reset if the corresponding ADC12MEM<sub>x</sub> is accessed, or may be reset with software.

0            No interrupt pending

1            Interrupt pending

**ADC12\_A Interrupt Vector Register (ADC12IV)**

15	14	13	12	11	10	9	8	
0	0	0	0	0	0	0	0	
r0	r0	r0	r0	r0	r0	r0	r0	
7	6	5	4	3	2	1	0	
0	0	<b>ADC12IVx</b>						0
r0	r0	r-(0)	r-(0)	r-(0)	r-(0)	r-(0)	r0	

**ADC12IVx**      Bits 15-0      ADC12\_A interrupt vector value

ADC12IV Contents	Interrupt Source	Interrupt Flag	Interrupt Priority
000h	No interrupt pending	–	
002h	ADC12MEMx overflow	–	Highest
004h	Conversion time overflow	–	
006h	ADC12MEM0 interrupt flag	ADC12IFG0	
008h	ADC12MEM1 interrupt flag	ADC12IFG1	
00Ah	ADC12MEM2 interrupt flag	ADC12IFG2	
00Ch	ADC12MEM3 interrupt flag	ADC12IFG3	
00Eh	ADC12MEM4 interrupt flag	ADC12IFG4	
010h	ADC12MEM5 interrupt flag	ADC12IFG5	
012h	ADC12MEM6 interrupt flag	ADC12IFG6	
014h	ADC12MEM7 interrupt flag	ADC12IFG7	
016h	ADC12MEM8 interrupt flag	ADC12IFG8	
018h	ADC12MEM9 interrupt flag	ADC12IFG9	
01Ah	ADC12MEM10 interrupt flag	ADC12IFG10	
01Ch	ADC12MEM11 interrupt flag	ADC12IFG11	
01Eh	ADC12MEM12 interrupt flag	ADC12IFG12	
020h	ADC12MEM13 interrupt flag	ADC12IFG13	
022h	ADC12MEM14 interrupt flag	ADC12IFG14	
024h	ADC12MEM15 interrupt flag	ADC12IFG15	Lowest







## LCD\_B Controller

---

---

---

The LCD\_B controller drives static, 2-mux, 3-mux, or 4-mux LCDs. This chapter describes the LCD\_B controller.

Topic	Page
23.1 LCD_B Controller Introduction .....	602
23.2 LCD_B Controller Operation .....	604
23.3 LCD Controller Registers .....	623

## 23.1 LCD\_B Controller Introduction

The LCD\_B controller directly drives LCD displays by creating the ac segment and common voltage signals automatically. The LCD\_B controller can support static, 2-mux, 3-mux, and 4-mux LCD glasses.

The LCD\_B controller features are:

- Display memory
- Automatic signal generation
- Configurable frame frequency
- Blinking of individual segments with separate blinking memory
- Regulated charge pump
- Contrast control by software
- Support for four types of LCDs
  - Static
  - 2-mux, 1/2 bias or 1/3 bias
  - 3-mux, 1/2 bias or 1/3 bias
  - 4-mux, 1/2 bias or 1/3 bias

The LCD\_B controller block diagram for a configuration with max. 160 segments is shown in [Figure 23-1](#).

---

**Note: Maximum LCD Segment Control**

The maximum number of segment lines and memory registers available differs with device. See the device-specific data sheet for available segment pins and the maximum number of segments supported.

---

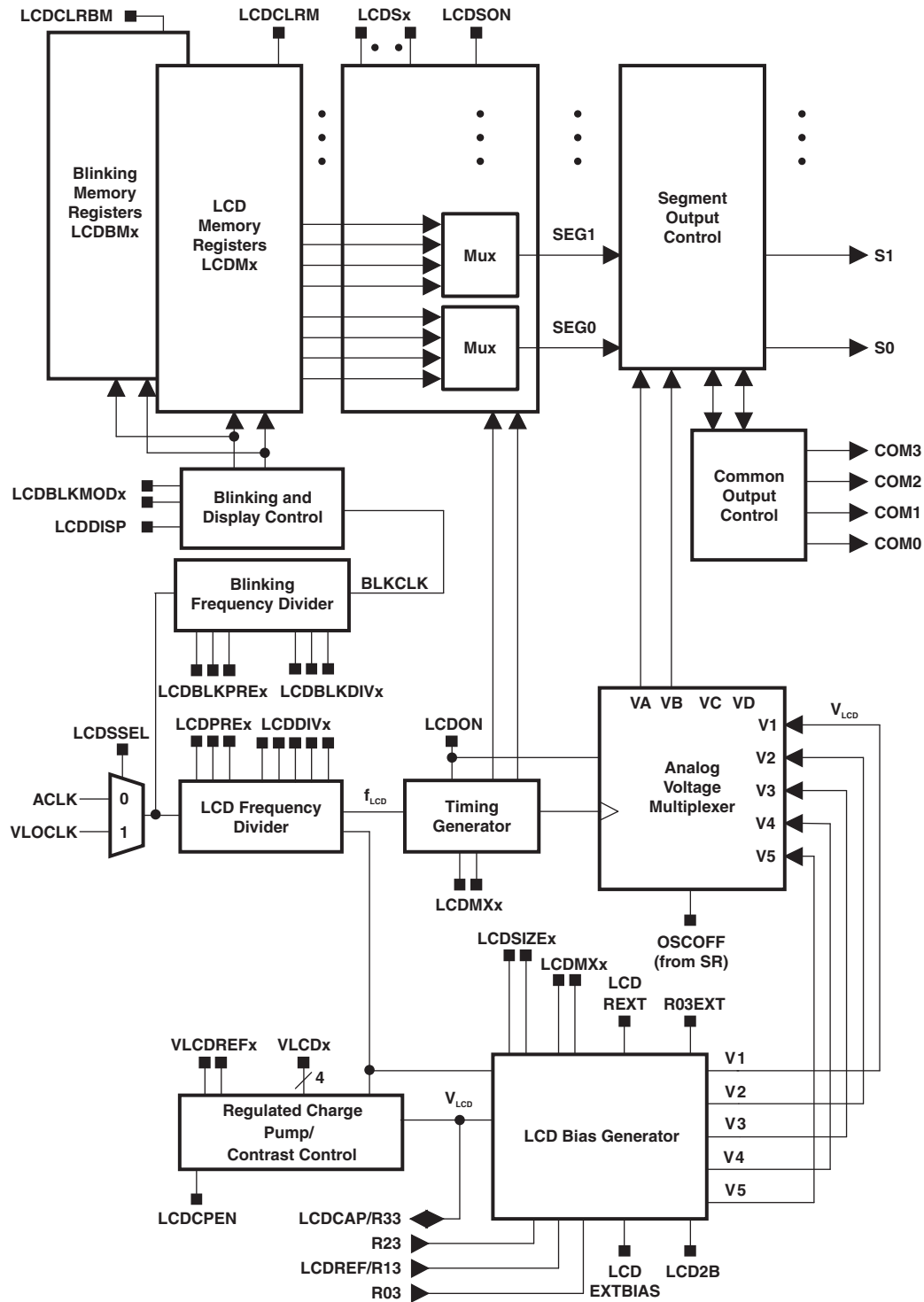


Figure 23-1. LCD\_B Controller Block Diagram

## 23.2 LCD\_B Controller Operation

The LCD\_B controller is configured with user software. The setup and operation of the LCD\_B controller is discussed in the following sections.

### 23.2.1 LCD Memory

The LCD memory map for a device with a 160-segment maximum is shown in Figure 23-2. Each memory bit corresponds to one LCD segment or is not used, depending on the mode. To turn on an LCD segment, its corresponding memory bit is set.

The memory can also be accessed word-wise using the even addresses starting at LCDM1, LCDM3, ...

Setting the bit LCDCLRM clears all LCD memory registers at the next frame boundary. It is reset automatically after the registers are cleared.

Register	Associated Common Pins								Register	n	Associated Segment Pins
	3	2	1	0	3	2	1	0			
LCDM20	--	--	--	--	--	--	--	--	38	39, 38	
LCDM19	--	--	--	--	--	--	--	--	36	37, 36	
LCDM18	--	--	--	--	--	--	--	--	34	35, 34	
LCDM17	--	--	--	--	--	--	--	--	32	33, 32	
LCDM16	--	--	--	--	--	--	--	--	30	31, 30	
LCDM15	--	--	--	--	--	--	--	--	28	29, 28	
LCDM14	--	--	--	--	--	--	--	--	26	27, 26	
LCDM13	--	--	--	--	--	--	--	--	24	25, 24	
LCDM12	--	--	--	--	--	--	--	--	22	23, 22	
LCDM11	--	--	--	--	--	--	--	--	20	21, 20	
LCDM10	--	--	--	--	--	--	--	--	18	19, 18	
LCDM9	--	--	--	--	--	--	--	--	16	17, 16	
LCDM8	--	--	--	--	--	--	--	--	14	15, 14	
LCDM7	--	--	--	--	--	--	--	--	12	13, 12	
LCDM6	--	--	--	--	--	--	--	--	10	1, 10	
LCDM5	--	--	--	--	--	--	--	--	8	9, 8	
LCDM4	--	--	--	--	--	--	--	--	6	7, 6	
LCDM3	--	--	--	--	--	--	--	--	4	5, 4	
LCDM2	--	--	--	--	--	--	--	--	2	3, 2	
LCDM1	--	--	--	--	--	--	--	--	0	1, 0	

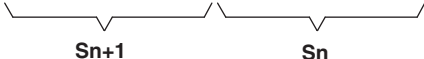


Figure 23-2. LCD Memory - Example for 160 Segments Maximum

### 23.2.2 LCD Timing Generation

The LCD\_B controller uses the  $f_{LCD}$  signal from the integrated clock divider to generate the timing for common and segment lines. With the LCDSEL bit ACLK with a frequency between 30 kHz and 40 kHz or VLOCLK can be selected as clock source into the divider. The  $f_{LCD}$  frequency is selected with the LCDPREx and LCDDIVx bits. The resulting  $f_{LCD}$  frequency is calculated by:

$$f_{LCD} = \frac{f_{ACLK/VLOCLK}}{(LCDDIVx + 1) \times 2^{LCDPRE}}$$

The proper  $f_{LCD}$  frequency depends on the LCD's requirement for framing frequency and the LCD multiplex rate and is calculated by:

$$f_{LCD} = 2 \times \text{mux} \times f_{Frame}$$

For example, to calculate  $f_{\text{LCD}}$  for a 3-mux LCD, with a frame frequency of 30 Hz to 100 Hz:

$$\begin{aligned} f_{\text{Frame}} \text{ (from LCD data sheet)} &= 30 \text{ Hz to } 100 \text{ Hz} \\ f_{\text{LCD}} &= 2 \times 3 \times f_{\text{Frame}} \\ f_{\text{LCD}}(\text{min}) &= 180 \text{ Hz} \\ f_{\text{LCD}}(\text{max}) &= 600 \text{ Hz} \end{aligned}$$

With  $f_{\text{ACLK/VLOCLK}} = 32768 \text{ Hz}$ ,  $\text{LCDPREx} = 011$ , and  $\text{LCDDIVx} = 10101$ :

$$f_{\text{LCD}} = 32768 \text{ Hz} / ((21+1) \times 2^3) = 32768 \text{ Hz} / 176 = 186 \text{ Hz}$$

With  $\text{LCDPREx} = 001$  and  $\text{LCDDIVx} = 11011$ :

$$f_{\text{LCD}} = 32768 \text{ Hz} / ((27+1) \times 2^1) = 32768 \text{ Hz} / 56 = 585 \text{ Hz}$$

The lowest frequency has the lowest current consumption. The highest frequency has the least flicker.

### 23.2.3 Blanking the LCD

The LCD controller allows to blank the complete LCD. The LCDSON bit is ANDed with each segment's memory bit. When LCDSON = 1, each segment is on or off according to its bit value. When LCDSON = 0, each LCD segment is off.

### 23.2.4 LCD Blinking

The LCD\_B controller also supports blinking. The blinking mode  $\text{LCDBLKMODOx} = 01$  allows to blink individual segments, with  $\text{LCDBLKMODOx} = 10$  all segments are blinking, and with  $\text{LCDBLKMODOx} = 00$  blinking is disabled.

#### Blinking Memory

To enable individual segments for blinking the corresponding bit in the blinking memory  $\text{LCDBMx}$  registers needs to be set. The memory uses the same structure as the LCD memory shown in [Figure 23-2](#). Each memory bit corresponds to one LCD segment, or is not used, depending on the multiplexing mode  $\text{LCDMXx}$ . To enable blinking for a LCD segment, its corresponding memory bit is set.

The blinking memory can also be accessed word-wise using the even addresses starting at  $\text{LCDBM1}$ ,  $\text{LCDBM3}$ , ...

Setting the bit  $\text{LCDCLRBM}$  clears all blinking memory registers at the next frame boundary. It is automatically reset after the registers are cleared.

#### Blinking Frequency

The blinking frequency  $f_{\text{BLINK}}$  is selected with the  $\text{LCDBLKPREx}$  and  $\text{LCDBLKDIVx}$  bits. The same clock is used as selected for the LCD frequency  $f_{\text{LCD}}$ . The resulting  $f_{\text{BLINK}}$  frequency is calculated by:

$$f_{\text{Blink}} = \frac{f_{\text{ACLK/VLO}}}{(\text{LCDBLKDIVx} + 1) \times 2^{\text{LCDBLKPREx}}}$$

The divider generating the blinking frequency  $f_{\text{BLINK}}$  is reset while  $\text{LCDBLKMODOx} = 00$ . After a blinking mode  $\text{LCDBLKMODOx} = 01$  or  $10$  is selected, the enabled segments or all segments go blank at the next frame boundary and stay off for half a  $\text{BLKCLK}$  period. Then they go active at the next frame boundary and stay on for another half  $\text{BLKCLK}$  period before they go blank again at a frame boundary.

---

#### Note: Blinking Frequency Restrictions

The blinking frequency must be smaller than the frame frequency  $f_{\text{Frame}}$ .

The blinking frequency should only be changed when  $\text{LCDBLKMODOx} = 00$ .

---

## Dual Display Memory

The blinking memory can also be used as a secondary display memory when no blinking mode LCDBLKMODx = 01 or 10 is selected. The memory to be displayed can be selected either manually using the LCDDISP bit or automatically with LCDBLKMODx = 11.

With LCDDISP = 0 the LCD memory is selected, with LCDDISP = 1 the blinking memory is selected as display memory. Switching between the memories is synchronized to the frame boundaries.

With LCDBLKMODx = 11 the LCD controller switches automatically between the memories using the divider to generate the blinking frequency. After LCDBLKMODx = 11 is selected the memory to be displayed for the first half a BLKCLK period is the LCD memory. In the second half the blinking memory is used as display memory. Switching between the memories is synchronized to the frame boundaries.

### 23.2.5 LCD\_B Voltage And Bias Generation

The LCD\_B module allows selectable sources for the peak output waveform voltage, V1, as well as the fractional LCD biasing voltages V2 to V5.  $V_{LCD}$  may be sourced from  $V_{CC}$ , an internal charge pump, or externally.

All internal voltage generation is disabled if the selected clock source (ACLK or VLOCLK) is turned off (OSCOFF = 1) or the LCD\_B module is disabled (LCDON = 0).

#### LCD Voltage Selection

$V_{LCD}$  is sourced from  $V_{CC}$  when VLCDEXT = 0, VLCDx = 0, and VREFx = 0.  $V_{LCD}$  is sourced from the internal charge pump when VLCDEXT = 0, LCDCPEN = 1, and VLCDx > 0. The charge pump is always sourced from  $DV_{CC}$ . The VLCDx bits provide a software selectable LCD voltage from 2.6 V to 3.44 V (typical) independent of  $DV_{CC}$ . See the device-specific data sheet for specifications.

When the internal charge pump is used, a 4.7- $\mu$ F or larger capacitor must be connected between pin LCDCAP and ground. If no capacitor is connected and the charge pump is enabled, the LCDNOCAPIFG interrupt flag is set, and the charge pump is disabled to prevent damage to the device. The charge pump may be temporarily disabled by setting LCDCPEN = 0 with VLCDx > 0 to reduce system noise - or it can be automatically disabled during certain periods by setting the corresponding bits in the LCDBCPCTL register. In this case, the voltage present at the external capacitor is used for the LCD voltages until the charge pump is re-enabled.

---

#### Note: Capacitor Required For Internal Charge Pump

A 4.7- $\mu$ F or larger capacitor must be connected from pin LCDCAP to ground when the internal charge pump is enabled. If no capacitor is connected, the LCDNOCAPIFG interrupt flag is set and the charge pump is disabled.

---

The internal charge pump may use an external reference voltage when VLCDREFx = 01. In this case, the charge pump voltage is set to a multiply of the external reference voltage according to the VLCDx bits setting.

When VLCDEXT = 1,  $V_{LCD}$  is sourced externally from the LCDCAP, pin and the internal charge pump is disabled.

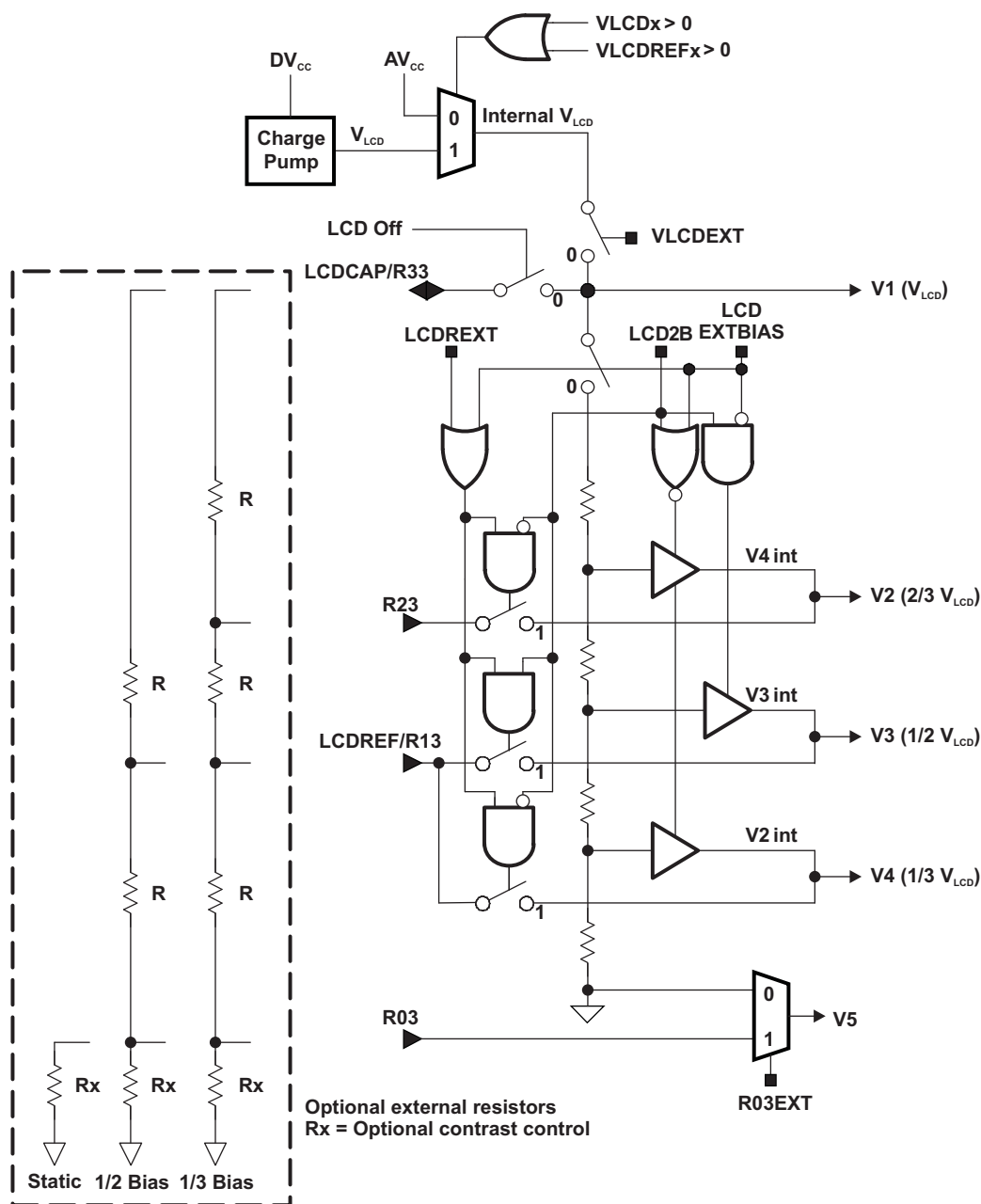
#### LCD Bias Generation

The fractional LCD biasing voltages, V2 to V5 can be generated internally or externally, independent of the source for  $V_{LCD}$ . The LCD bias generation block diagram is shown in [Figure 23-3](#).

The internally generated bias voltages V2 to V4 are switched to external pins with LCDREXT = 1.

To source the bias voltages V2 to V4 externally, LCDEXTBIAS is set. This also disables the internal bias generation. Typically, an equally weighted resistor divider is used with resistors ranging from a few k $\Omega$  to 1 M $\Omega$ , depending on the size of the display. When using an external resistor divider, the  $V_{LCD}$  voltage may be sourced from the internal charge pump when  $V_{LCD}EXT = 0$  taking the maximum charge pump load current into account. V5 can also be sourced externally when R03EXT is set to control the contrast of the connected display by changing the voltage at the low end of the external resistor divider as shown in the left part of Figure 23-3.

When using an external resistor divider R33 may serve as a switched  $V_{LCD}$  output when  $V_{LCD}EXT = 0$ . This allows the power to the resistor ladder to be turned off, eliminating current consumption when the LCD is not used. When  $V_{LCD}EXT = 1$ , R33 serves as a  $V_{LCD}$  input.



**Figure 23-3. Bias Generation**

The internal bias generator supports 1/2 bias LCDs when  $LCD2B = 1$ , and 1/3 bias LCDs when  $LCD2B = 0$  in 2-mux, 3-mux, and 4-mux modes. In static mode, the internal divider is disabled.

Some devices share the LCDCAP, R33, and R23 functions. In this case, the charge pump cannot be used together with an external resistor divider with 1/3 biasing. When R03 is not available externally, V5 is always  $V_{SS}$ .

### LCD Contrast Control

The peak voltage of the output waveforms together with the selected mode and biasing determine the contrast and the contrast ratio of the LCD. The LCD contrast can be controlled in software by adjusting the LCD voltage generated by the integrated charge pump using the VLCDx settings.

The contrast ratio depends on the used LCD display and the selected biasing scheme. Table 23-1 shows the biasing configurations that apply to the different modes together with the RMS voltages for the segments turned on ( $V_{RMS,ON}$ ) and turned off ( $V_{RMS,OFF}$ ) as functions of  $V_{LCD}$ . It also shows the resulting contrast ratios between the on and off states.

**Table 23-1. LCD Voltage and Biasing Characteristics**

Mode	Bias Config	LCDMx	LCD2B	COM Lines	Voltage Levels	$V_{RMS,OFF}/V_{LCD}$	$V_{RMS,ON}/V_{LCD}$	Contrast Ratio $V_{RMS,ON}/V_{RMS,OFF}$
Static	Static	0	X	1	V1, V5	0	1	1/0
2-mux	1/2	1	1	2	V1, V3, V5	0.354	0.791	2.236
2-mux	1/3	1	0	2	V1, V2, V4, V5	0.333	0.745	2.236
3-mux	1/2	10	1	3	V1, V3, V5	0.408	0.707	1.732
3-mux	1/3	10	0	3	V1, V2, V4, V5	0.333	0.638	1.915
4-mux	1/2	11	1	4	V1, V3, V5	0.433	0.661	1.528
4-mux	1/3	11	0	4	V1, V2, V4, V5	0.333	0.577	1.732

A typical approach to determine the required  $V_{LCD}$  is by equating  $V_{RMS,OFF}$  with a defined LCD threshold voltage, typically when the LCD exhibits approximately 10% contrast ( $V_{th,10\%}$ ):  $V_{RMS,OFF} = V_{th,10\%}$ . Using the values for  $V_{RMS,OFF}/V_{LCD}$  provided in the table results in  $V_{LCD} = V_{th,10\%}/(V_{RMS,OFF}/V_{LCD})$ . In the static mode, a suitable choice is  $V_{LCD}$  greater or equal than 3 times  $V_{th,10\%}$ .

In 3-mux and 4-mux mode typically a 1/3 biasing is used but a 1/2 biasing scheme is also possible. The 1/2 bias reduces the contrast ratio but the advantage is a reduction of the required full-scale LCD voltage  $V_{LCD}$ .

### 23.2.6 LCD Outputs

Some LCD segment, common, and Rxx functions are multiplexed with digital I/O functions. These pins can function either as digital I/O or as LCD functions.

The LCD segment functions, when multiplexed with digital I/O, are selected using the LCDSx bits in the LCDBPCTLx registers. The LCDSx bits select the LCD function for each segment line. When  $LCDSx = 0$ , a multiplexed pin is set to digital I/O function. When  $LCDSx = 1$ , a multiplexed pin is selected as LCD function.

The pin functions for COMx and Rxx, when multiplexed with digital I/O, are selected as described in the port schematic section of the device-specific datasheet. The COM1 to COM3 pins are shared with segment lines. If these pins are required as COM pins due to the selected LCD multiplexing mode the COM functionality takes precedence over the segment function that can be selected for those pins with the LCDSx bits as for all other segment pins.

See the port schematic section of the device-specific data sheet for details on controlling the pin functionality.



---

**Note: LCDSx Bits Do Not Affect Dedicated LCD Segment Pins**

The LCDSx bits only affect pins with multiplexed LCD segment functions and digital I/O functions. Dedicated LCD segment pins are not affected by the LCDSx bits.

---

### 23.2.7 LCD\_B Interrupts

The LCD\_B module has four interrupt sources available, each with independent enables and flags.

The four interrupt flags, namely LCDFRMIFG, LCDBLKOFFIFG, LCDBLKONIFG, and LCDNOCAPIFG, are prioritized and combined to source a single interrupt vector. The interrupt vector register LCDBIV is used to determine which flag requested an interrupt.

The highest priority enabled interrupt generates a number in the LCDBIV register (see register description). This number can be evaluated or added to the program counter to automatically enter the appropriate software routine. Disabled LCD\_B interrupts do not affect the LCDBIV value.

Any read access of the LCDBIV register automatically resets the highest pending interrupt flag. If another interrupt flag is set, another interrupt is immediately generated after servicing the initial interrupt. A write access to the LCDBIV register automatically resets all pending interrupt flags. In addition, all flags can be cleared via software.

The LCDNOCAPIFG indicates that no capacitor is present at the LCDCAP pin when the charge pump is enabled. Setting the LCDNOCAPIE bit enables the interrupt.

The LCDBLKONIFG is set at the BLKCLK edge synchronized to the frame boundaries that turns on the segments when blinking is enabled with LCDBLKMODx = 01 or 10. It is also set at the BLKCLK edge synchronized to the frame boundaries that selects the blinking memory as display memory when LCDBLKMODx = 11. It is automatically cleared when a LCD or blinking memory register is written. Setting the LCDBLKONIE bit enables the interrupt.

The LCDBLKOFFIFG is set at the BLKCLK edge synchronized to the frame boundaries that blanks the segments when blinking is enabled with LCDBLKMODx = 01 or 10. It is also set at the BLKCLK edge synchronized to the frame boundaries that selects the LCD memory as display memory when LCDBLKMODx = 11. It is automatically cleared when a LCD or blinking memory register is written. Setting the LCDBLKOFFIE bit enables the interrupt.

The LCDFRMIFG is set at a frame boundary. It is automatically cleared when a LCD or blinking memory register is written. Setting the LCDFRMIFGIE bit enables the interrupt.

## LCDBIV Software Example

The following software example shows the recommended use of LCDBIV and the handling overhead. The LCDBIV value is added to the PC to automatically jump to the appropriate routine.

The numbers at the right margin show the necessary CPU cycles for each instruction. The software overhead for different interrupt sources includes interrupt latency and return-from-interrupt cycles, but not the task handling itself.

; Interrupt handler for LCD\_B interrupt flags.

```

LCDB_HND                ; Interrupt latency                6
    ADD    &LCDBIV,PC    ; Add offset to Jump table    3
    RETI                   ; Vector 0: No interrupt        5
    JMP    LCDNOCAP_HND   ; Vector 2: LCDNOCAPIFG       2
    JMP    LCDBLKON_HND   ; Vector 4: LCDBLKONIFG      2
    JMP    LCDBLKOFF_HND  ; Vector 6: LCDBLKOFFIFG     2
LCDFRM_HND              ; Vector 8: LCDFRMIFG
    ...                   ; Task starts here
    RETI                   ;                               5

LCDNOCAP_HND            ; Vector 2: LCDNOCAPIFG
    ...                   ; Task starts here
    RETI                   ;                               5

LCDBLKON_HND            ; Vector 4: LCDBLKONIFG
    ...                   ; Task starts here
    RETI                   ; Back to main program        5

LCDBLKOFF_HND           ; Vector 6: LCDBLKOFFIFG
    ...                   ; Task starts here
    RETI                   ; Back to main program        5

```

### 23.2.8 Static Mode

In static mode, each MSP430 segment pin drives one LCD segment and one common line, COM0, is used. Figure 23-4 shows some example static waveforms.

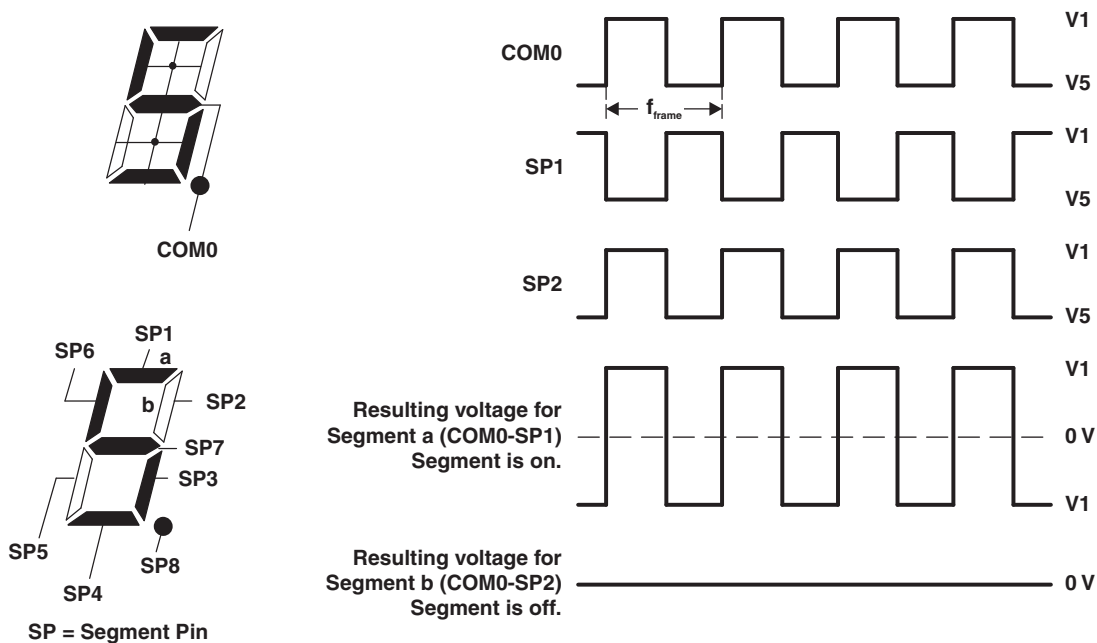


Figure 23-4. Example Static Waveforms

Figure 23-5 shows an example static LCD, pinout, LCD-to-MSP430 connections, and the resulting segment mapping. This is only an example. Segment mapping in a user's application depends on the LCD pinout and on the MSP430-to-LCD connections.

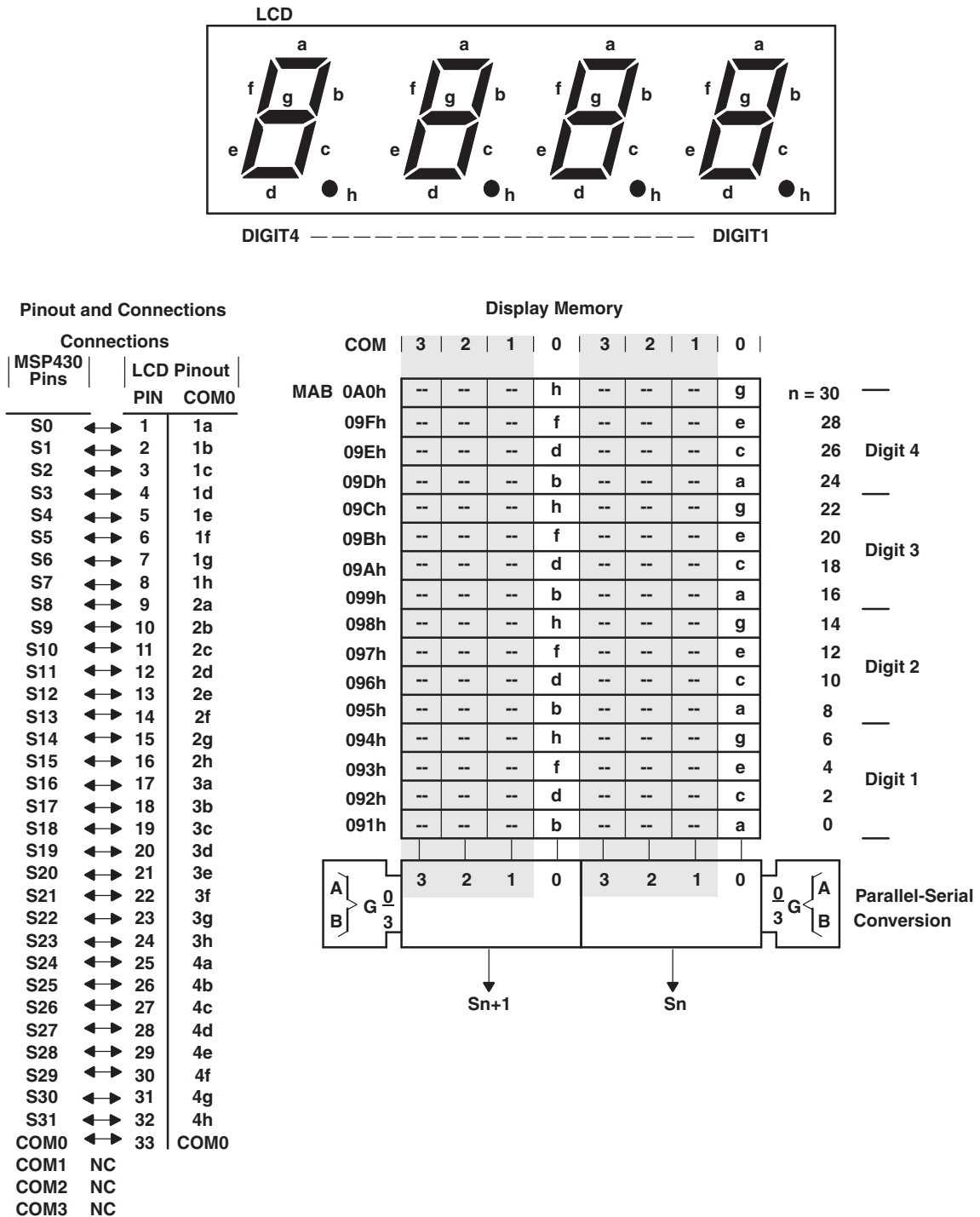


Figure 23-5. Static LCD Example (MAB addresses need to be replaced with LCDMx)

### Static Mode Software Example

```

; All eight segments of a digit are often located in four
; display memory bytes with the static display method.
;
a EQU 001h
b EQU 010h
c EQU 002h
d EQU 020h
e EQU 004h
f EQU 040h
g EQU 008h
h EQU 080h
; The register content of Rx should be displayed.
; The Table represents the 'on'-segments according to the
; content of Rx.
MOV.B Table (Rx),RY ; Load segment information
; into temporary memory.
; (Ry) = 0000 0000 hfdb geca
MOV.B Ry,&LCDn ; Note:
; All bits of an LCD memory
; byte are written
RRA Ry ; (Ry) = 0000 0000 0hfd bgec
MOV.B Ry,&LCDn+1 ; Note:
; All bits of an LCD memory
; byte are written
RRA Ry ; (Ry) = 0000 0000 00hf dbge
MOV.B Ry,&LCDn+2 ; Note:
; All bits of an LCD memory
; byte are written
RRA Ry ; (Ry) = 0000 0000 000h fdbg
MOV.B Ry,&LCDn+3 ; Note:
; All bits of an LCD memory
; byte are written

.....
.....
;
Table DB a+b+c+d+e+f ; displays "0"
DB b+c; ; displays "1"
.....
.....
DB
.....

```

### 23.2.9 2-Mux Mode

In 2-mux mode, each MSP430 segment pin drives two LCD segments and two common lines, COM0 and COM1, are used. Figure 23-6 shows some example 2-mux, 1/2 bias waveforms.

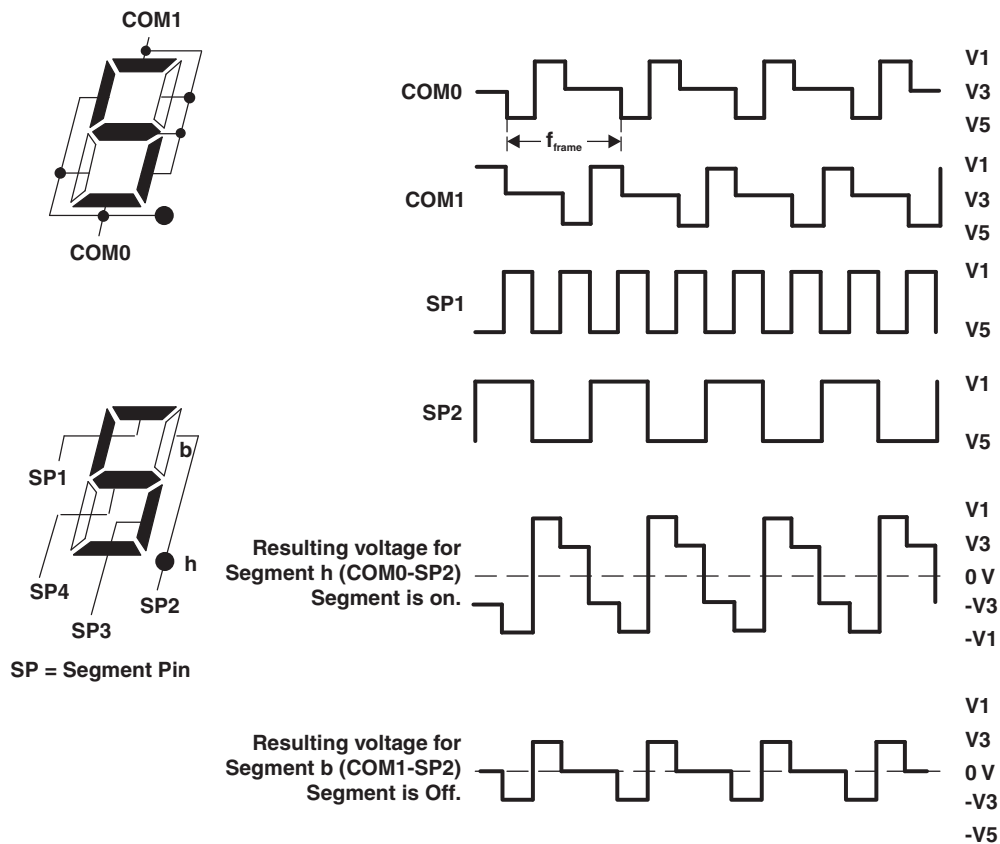


Figure 23-6. Example 2-Mux Waveforms

Figure 23-7 shows an example 2-mux LCD, pinout, LCD-to-MSP430 connections, and the resulting segment mapping. This is only an example. Segment mapping in a user's application completely depends on the LCD pinout and on the MSP430-to-LCD connections.

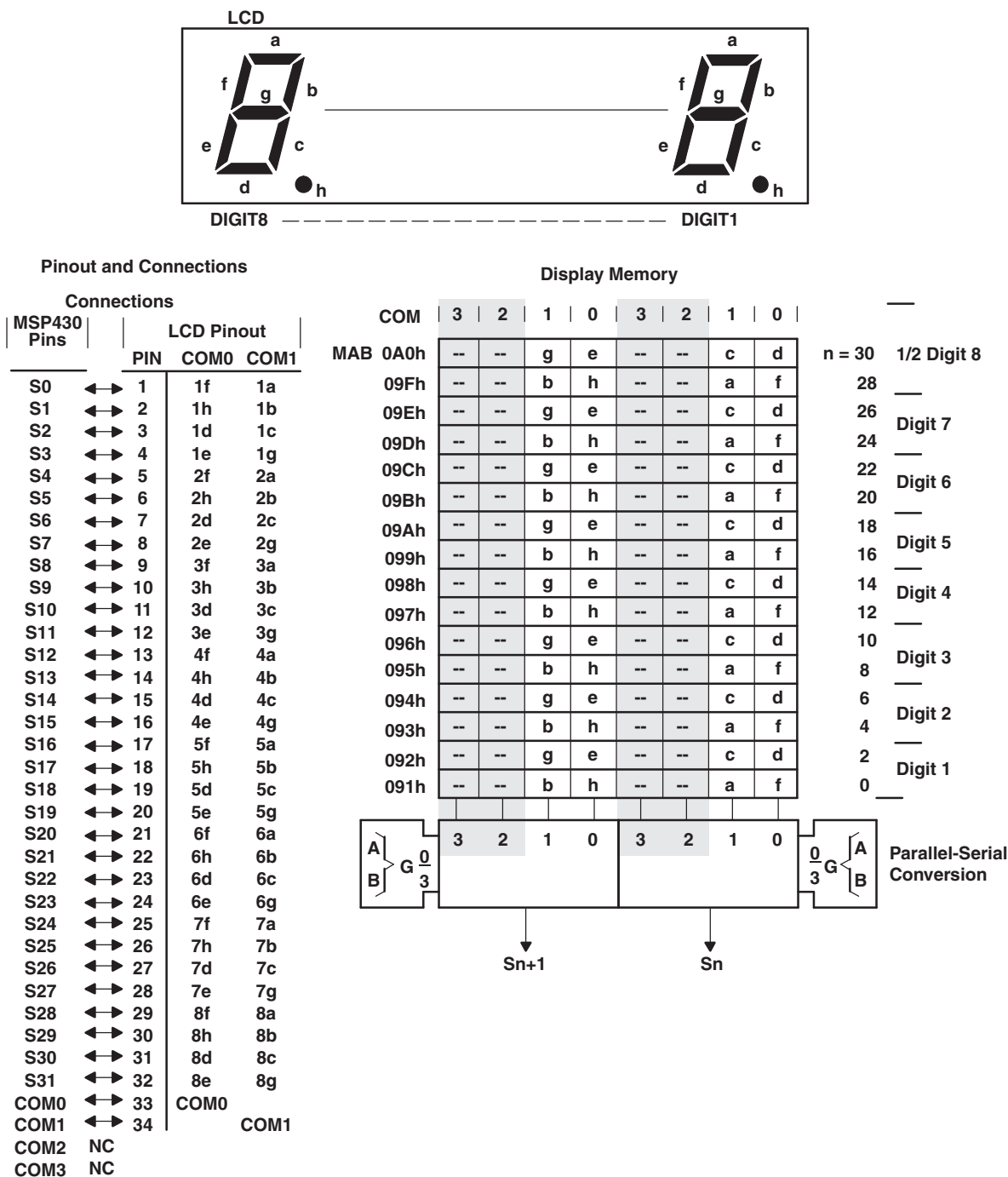


Figure 23-7. 2-Mux LCD Example (MAB addresses need to be replaced with LCDMx)

## 2-Mux Mode Software Example

```

; All eight segments of a digit are often located in two
; display memory bytes with the 2mux display rate
;
a      EQU      002h
b      EQU      020h
c      EQU      008h
d      EQU      004h
e      EQU      040h
f      EQU      001h
g      EQU      080h
h      EQU      010h
; The register content of Rx should be displayed.
; The Table represents the 'on'-segments according to the
; content of Rx.
;
      .....
      .....
MOV.B  Table(Rx),Ry  ; Load segment information into
                    ; temporary memory.
MOV.B  Ry,&LCDn      ; (Ry) =  0000 0000 gebh cdaf
                    ; Note:
                    ; All bits of an LCD memory byte
                    ; are written
RRA    Ry           ; (Ry) =  0000 0000 0geb hcda
RRA    Ry           ; (Ry) =  0000 0000 00ge bhcd
MOV.B  Ry,&LCDn+1    ; Note:
                    ; All bits of an LCD memory byte
                    ; are written
      .....
      .....
      .....
Table  DB          a+b+c+d+e+f  ; displays "0"
      .....
      DB          a+b+c+d+e+f+g ; displays "8"
      .....
      .....
      DB
      .....
;

```



### 23.2.10 3-Mux Mode

In 3-mux mode, each MSP430 segment pin drives three LCD segments and three common lines (COM0, COM1, and COM2) are used. Figure 23-8 shows some example 3-mux, 1/3 bias waveforms.

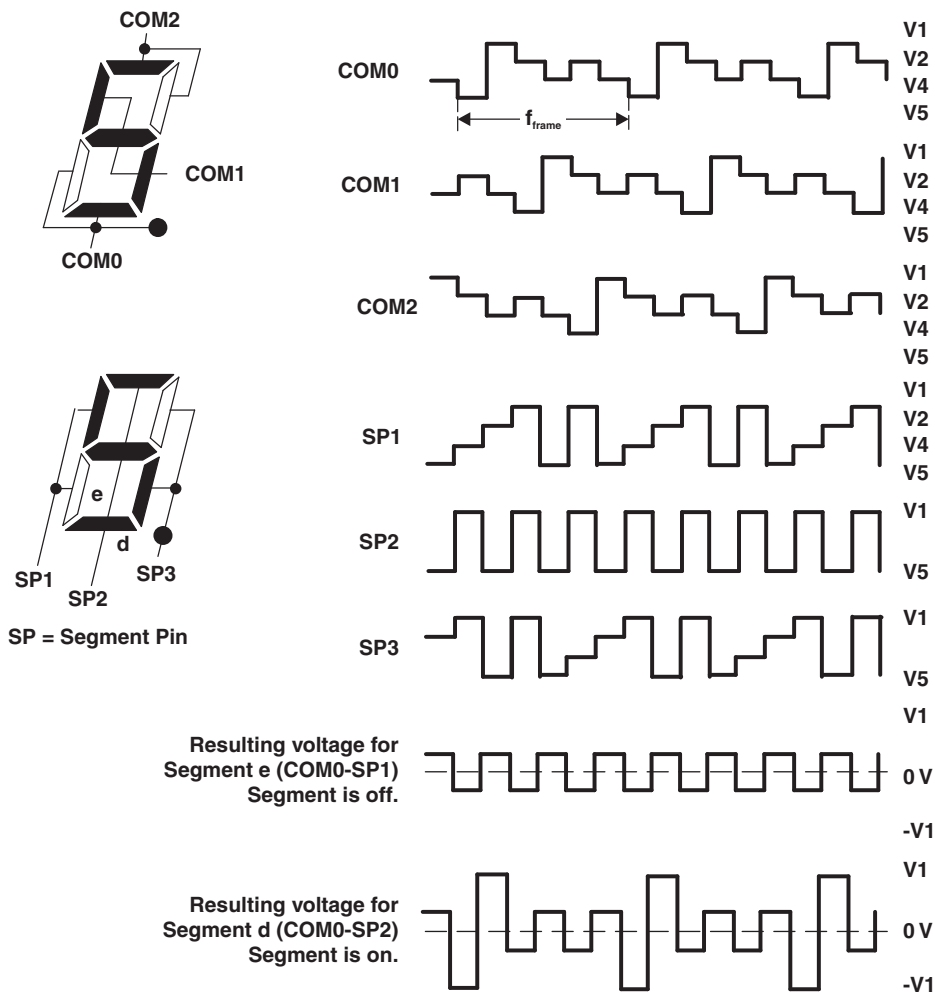


Figure 23-8. Example 3-Mux Waveforms

Figure 23-9 shows an example 3-mux LCD, pinout, LCD-to-MSP430 connections, and the resulting segment mapping. This is only an example. Segment mapping in a user's application depends on the LCD pinout and on the MSP430-to-LCD connections.

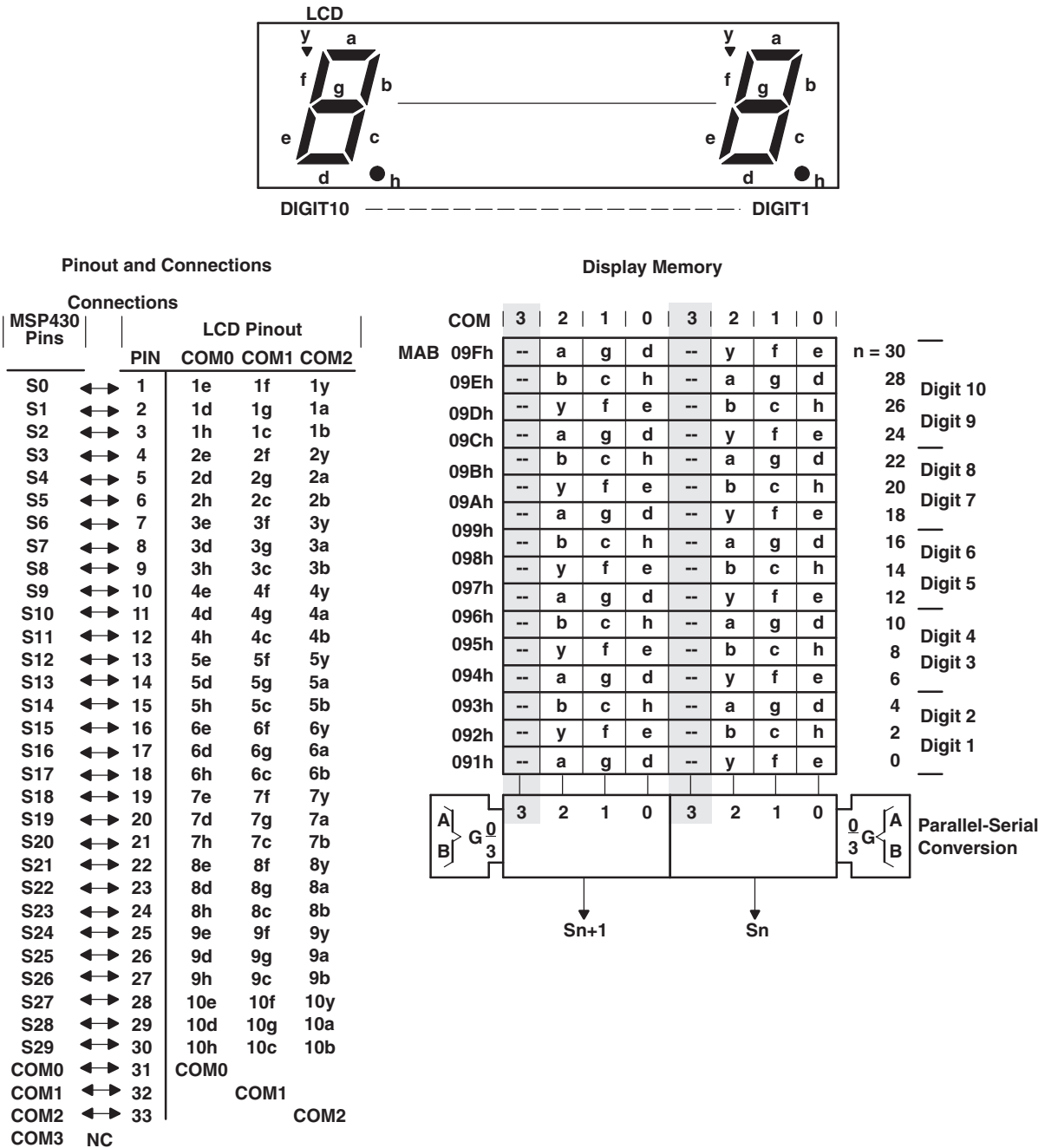


Figure 23-9. 3-Mux LCD Example (MAB addresses need to be replaced with LCDMx)

### 3-Mux Mode Software Example

```

; The 3mux rate can support nine segments for each
; digit. The nine segments of a digit are located in
; 1 1/2 display memory bytes.
;
a      EQU      0040h
b      EQU      0400h
c      EQU      0200h
d      EQU      0010h
e      EQU      0001h
f      EQU      0002h
g      EQU      0020h
h      EQU      0100h
Y      EQU      0004h
; The LSDigit of register Rx should be displayed.
; The Table represents the 'on'-segments according to the
; LSDigit of register of Rx.
; The register Ry is used for temporary memory
;
ODDDIG RLA      Rx          ; LCD in 3mux has 9 segments per
                          ; digit; word table required for
                          ; displayed characters.
      MOV      Table(Rx),Ry ; Load segment information to
                          ; temporary mem.
                          ; (Ry) = 0000 0bch 0agd 0yfe
      MOV.B   Ry,&LCDn      ; write 'a, g, d, y, f, e' of
                          ; Digit n (LowByte)
      SWPB   Ry            ; (Ry) = 0agd 0yfe 0000 0bch
      BIC.B  #07h,&LCDn+1  ; write 'b, c, h' of Digit n
                          ; (HighByte)
      BIS.B  Ry,&LCDn+1
      .....
EVNDIG RLA      Rx          ; LCD in 3mux has 9 segments per
                          ; digit; word table required for
                          ; displayed characters.
      MOV      Table(Rx),Ry ; Load segment information to
                          ; temporary mem.
                          ; (Ry) = 0000 0bch 0agd 0yfe
      RLA     Ry            ; (Ry) = 0000 bch0 agd0 yfe0
      RLA     Ry            ; (Ry) = 000b ch0a gd0y fe00
      RLA     Ry            ; (Ry) = 00bc h0ag d0yf e000
      RLA     Ry            ; (Ry) = 0bch 0agd 0yfe 0000
      BIC.B  #070h,&LCDn+1
      BIS.B  Ry,&LCDn+1      ; write 'y, f, e' of Digit n+1
                          ; (LowByte)
      SWPB   Ry            ; (Ry) = 0yfe 0000 0bch 0agd
      MOV.B  Ry,&LCDn+2      ; write 'b, c, h, a, g, d' of
                          ; Digit n+1 (HighByte)
      .....
Table  DW      a+b+c+d+e+f  ; displays "0"
      DW      b+c          ; displays "1"
      .....
      DW      a+e+f+g      ; displays "F"

```

### 23.2.11 4-Mux Mode

In 4-mux mode, each MSP430 segment pin drives four LCD segments and all four common lines (COM0, COM1, COM2, and COM3) are used. Figure 23-10 shows some example 4-mux, 1/3 bias waveforms.

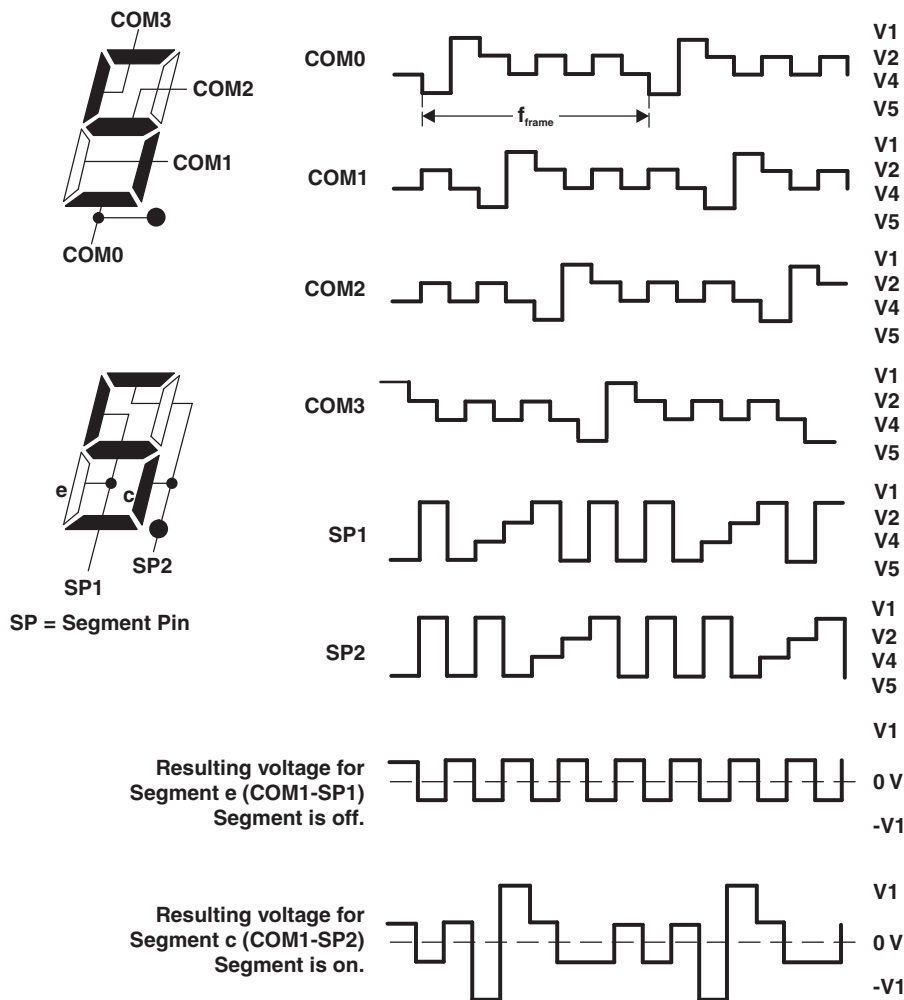


Figure 23-10. Example 4-Mux Waveforms

Figure 23-11 shows an example 4-mux LCD, pinout, LCD-to-MSP430 connections, and the resulting segment mapping. This is only an example. Segment mapping in a user's application depends on the LCD pinout and on the MSP430-to-LCD connections.

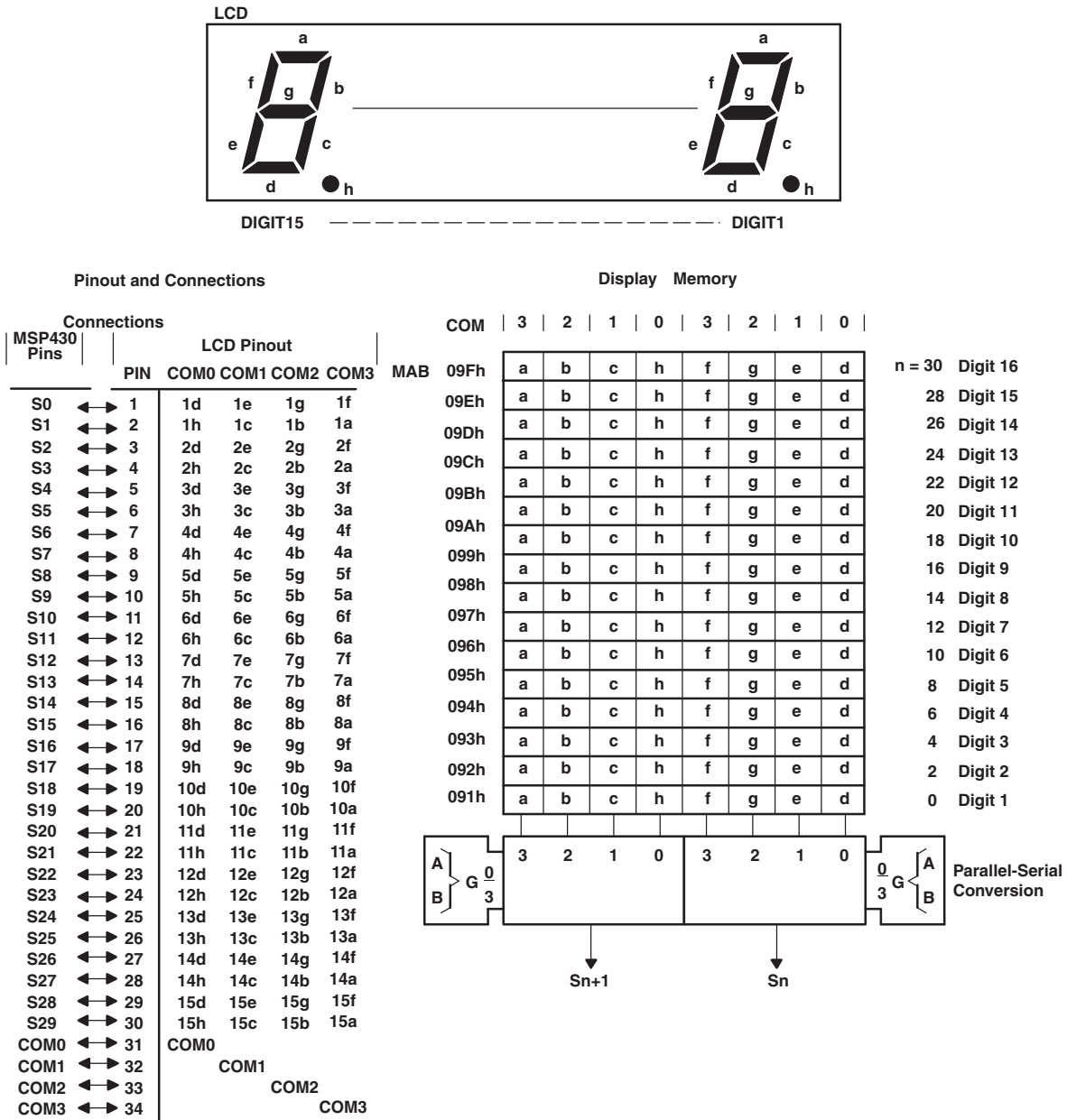


Figure 23-11. 4-Mux LCD Example (MAB addresses need to be replaced with LCDMx)

#### 4-Mux Mode Software Example

```

; The 4mux rate supports eight segments for each digit.
; All eight segments of a digit can often be located in
; one display memory byte
a EQU 080h
b EQU 040h
c EQU 020h
d EQU 001h
e EQU 002h
f EQU 008h
g EQU 004h
h EQU 010h
;
; The LSDigit of register Rx should be displayed.
; The Table represents the 'on'-segments according to the
; content of Rx.
;
MOV.B Table(Rx),&LCDn ; n = 1 ..... 15
; all eight segments are
; written to the display
; memory
.....
.....

Table DB a+b+c+d+e+f ; displays "0"
DB b+c ; displays "1"
.....
.....
DB b+c+d+e+g ; displays "d"
DB a+d+e+f+g ; displays "E"
DB a+e+f+g ; displays "F"

```

### 23.3 LCD Controller Registers

The LCD Controller registers are listed in Table 1-2 to Table 1-4. The LCD memory and blinking memory registers can also be accessed as word.

**Table 23-2. LCD\_B Control Registers**

Register	Short Form	Register Type	Address Offset	Initial State
LCD_B control register 0	LCDBCTL0	Read/write	000h	Reset with PUC
LCD_B control register 1	LCDBCTL1	Read/write	002h	Reset with PUC
LCD_B blinking control register	LCDBBLKCTL	Read/write	004h	Reset with PUC
LCD_B memory control register	LCDBMEMCTL	Read/write	006h	Reset with PUC
LCD_B voltage control register	LCDBVCTL	Read/write	008h	Reset with PUC
LCD_B port control 0	LCDBPCTL0	Read/write	00Ah	Reset with PUC
LCD_B port control 1	LCDBPCTL1	Read/write	00Ch	Reset with PUC
LCD_B port control 2 ( $\geq 128$ segments)	LCDBPCTL2	Read/write	00Eh	Reset with PUC
LCD_B port control 3 (192 segments)	LCDBPCTL3	Read/write	010h	Reset with PUC
LCD_B charge pump control	LCDBCPCTL	Read/write	012h	Reset with PUC
Reserved		Read/write	014h	Unchanged
Reserved		Read/write	016h	Unchanged
Reserved		Read/write	018h	Unchanged
Reserved		Read/write	01Ah	Unchanged
Reserved		Read/write	01Ch	Unchanged
LCD_B interrupt vector	LCDBIV	Read/write	01Eh	Reset with PUC

**Table 23-3. LCD\_B Memory Registers<sup>(1)</sup>**

Register	Short Form	Register Type	Address Offset	Initial State
LCD memory 1 (S1/S0)	LCDM1	Read/write	020h	Unchanged
LCD memory 2 (S3/S2)	LCDM2	Read/write	021h	Unchanged
LCD memory 3 (S5/S4)	LCDM3	Read/write	022h	Unchanged
LCD memory 4 (S7/S6)	LCDM4	Read/write	023h	Unchanged
LCD memory 5 (S9/S8)	LCDM5	Read/write	024h	Unchanged
LCD memory 6 (S11/S10)	LCDM6	Read/write	025h	Unchanged
LCD memory 7 (S13/S12)	LCDM7	Read/write	026h	Unchanged
LCD memory 8 (S15/S14)	LCDM8	Read/write	027h	Unchanged
LCD memory 9 (S17/S16)	LCDM9	Read/write	028h	Unchanged
LCD memory 10 (S19/S18)	LCDM10	Read/write	029h	Unchanged
LCD memory 11 (S21/S20)	LCDM11	Read/write	02Ah	Unchanged
LCD memory 12 (S23/S22)	LCDM12	Read/write	02Bh	Unchanged
LCD memory 13 (S25/S24)	LCDM13	Read/write	02Ch	Unchanged
LCD memory 14 (S27/S26)	LCDM14	Read/write	02Dh	Unchanged
LCD memory 15 (S29/S28, $\geq 128$ segments)	LCDM15	Read/write	02Eh	Unchanged
LCD memory 16 (S31/S30, $\geq 128$ segments)	LCDM16	Read/write	02Fh	Unchanged
LCD memory 17 (S33/S32, $\geq 128$ segments)	LCDM17	Read/write	030h	Unchanged
LCD memory 18 (S35/S34, $\geq 128$ segments)	LCDM18	Read/write	031h	Unchanged
LCD memory 19 (S37/S36, $\geq 160$ segments)	LCDM19	Read/write	032h	Unchanged
LCD memory 20 (S39/S38, $\geq 160$ segments)	LCDM20	Read/write	033h	Unchanged
LCD memory 21 (S41/S40, $\geq 160$ segments)	LCDM21	Read/write	034h	Unchanged
LCD memory 22 (S43/S42, $\geq 160$ segments)	LCDM22	Read/write	035h	Unchanged
LCD memory 23 (S45/S44, 192 segments)	LCDM23	Read/write	036h	Unchanged
LCD memory 24 (S47/S46, 192 segments)	LCDM24	Read/write	037h	Unchanged
LCD memory 25 (S49/S48, 192 segments)	LCDM25	Read/write	038h	Unchanged
LCD memory 26 (S50, 192 segments)	LCDM26	Read/write	039h	Unchanged
Reserved		Read/write	03Ah	Unchanged
Reserved		Read/write	03Bh	Unchanged
Reserved		Read/write	03Ch	Unchanged
Reserved		Read/write	03Dh	Unchanged
Reserved		Read/write	03Eh	Unchanged
Reserved		Read/write	03Fh	Unchanged

<sup>(1)</sup> The LCD memory registers can also be accessed as word.



**Table 23-4. LCD\_B Blinking Memory Registers<sup>(1)</sup>**

Register	Short Form	Register Type	Address Offset	Initial State
LCD blinking memory 1	LCDBM1	Read/write	040h	Unchanged
LCD blinking memory 2	LCDBM2	Read/write	041h	Unchanged
LCD blinking memory 3	LCDBM3	Read/write	042h	Unchanged
LCD blinking memory 4	LCDBM4	Read/write	043h	Unchanged
LCD blinking memory 5	LCDBM5	Read/write	044h	Unchanged
LCD blinking memory 6	LCDBM6	Read/write	045h	Unchanged
LCD blinking memory 7	LCDBM7	Read/write	046h	Unchanged
LCD blinking memory 8	LCDBM8	Read/write	047h	Unchanged
LCD blinking memory 9	LCDBM9	Read/write	048h	Unchanged
LCD blinking memory 10	LCDBM10	Read/write	049h	Unchanged
LCD blinking memory 11	LCDBM11	Read/write	04Ah	Unchanged
LCD blinking memory 12	LCDBM12	Read/write	04Bh	Unchanged
LCD blinking memory 13	LCDBM13	Read/write	04Ch	Unchanged
LCD blinking memory 14	LCDBM14	Read/write	04Dh	Unchanged
LCD blinking memory 15 (≥128 segments)	LCDBM15	Read/write	04Eh	Unchanged
LCD blinking memory 16 (≥128 segments)	LCDBM16	Read/write	04Fh	Unchanged
LCD blinking memory 17 (≥128 segments)	LCDBM17	Read/write	050h	Unchanged
LCD blinking memory 18 (≥128 segments)	LCDBM18	Read/write	051h	Unchanged
LCD blinking memory 19 (≥160 segments)	LCDBM19	Read/write	052h	Unchanged
LCD blinking memory 20 (≥160 segments)	LCDBM20	Read/write	053h	Unchanged
LCD blinking memory 21 (≥160 segments)	LCDBM21	Read/write	054h	Unchanged
LCD blinking memory 22 (≥160 segments)	LCDBM22	Read/write	055h	Unchanged
LCD blinking memory 23 (190 segments)	LCDBM23	Read/write	056h	Unchanged
LCD blinking memory 24 (190 segments)	LCDBM24	Read/write	057h	Unchanged
LCD blinking memory 25 (190 segments)	LCDBM25	Read/write	058h	Unchanged
LCD blinking memory 26 (190 segments)	LCDBM26	Read/write	059h	Unchanged
Reserved		Read/write	05Ah	Unchanged
Reserved		Read/write	05Bh	Unchanged
Reserved		Read/write	05Ch	Unchanged
Reserved		Read/write	05Dh	Unchanged
Reserved		Read/write	05Eh	Unchanged
Reserved		Read/write	05Fh	Unchanged

<sup>(1)</sup> The LCD blinking memory registers can also be accessed as word.

**LCDBCTL0, LCD\_B Control Register 0**

15	14	13	12	11	10	9	8
<b>LCDDIVx</b>				<b>LCDPREx</b>			
rw-0	rw-0	rw-0	rw-0	rw-0	rw-0	rw-0	rw-0
7	6	5	4	3	2	1	0
<b>LCDSSSEL</b>	<b>Reserved</b>		<b>LCDMXx</b>		<b>LCDSON</b>	<b>Reserved</b>	<b>LCDON</b>
rw-0	r0	r0	rw-0	rw-0	rw-0	r0	rw-0

<b>LCDDIVx</b>	Bits 15-11	<p>LCD frequency divider. Together with LCDPREx the LCD frequency <math>f_{LCD}</math> is calculated as <math>f_{LCD} = f_{ACLK/VLO} / ((LCDDIVx + 1) \times 2^{LCDPREx})</math>.</p> <p>00000 Divide by 1</p> <p>00001 Divide by 2</p> <p>⋮</p> <p>11110 Divide by 31</p> <p>11111 Divide by 32</p>
<b>LCDPREx</b>	Bits 10-8	<p>LCD frequency pre-scaler. Together with LCDDIVx the LCD frequency <math>f_{LCD}</math> is calculated as <math>f_{LCD} = f_{ACLK/VLO} / ((LCDDIVx + 1) \times 2^{LCDPREx})</math>.</p> <p>000 Divide by 1</p> <p>001 Divide by 2</p> <p>010 Divide by 4</p> <p>011 Divide by 8</p> <p>100 Divide by 16</p> <p>101 Divide by 32</p> <p>110 Reserved - Defaults to divide by 32</p> <p>111 Reserved - Defaults to divide by 32</p>
<b>LCDSSSEL</b>	Bit 7	<p>Clock source select for LCD and blinking frequency</p> <p>0 ACLK (30 kHz to 40 kHz)</p> <p>1 VLOCLK</p>
<b>Reserved</b>	Bits 6-5	Reserved
<b>LCDMXx</b>	Bits 4-3	<p>LCD mux rate. These bits select the LCD mode.</p> <p>00 Static</p> <p>01 2-mux</p> <p>10 3-mux</p> <p>11 4-mux</p>
<b>LCDSON</b>	Bit 2	<p>LCD segments on. This bit supports flashing LCD applications by turning off all segment lines, while leaving the LCD timing generator and R33 enabled.</p> <p>0 All LCD segments are off.</p> <p>1 All LCD segments are enabled and on or off according to their corresponding memory location.</p>
<b>Reserved</b>	Bit 1	Reserved
<b>LCDON</b>	Bit 0	<p>LCD on. This bit turns the LCD_B module on or off.</p> <p>0 LCD_B module off</p> <p>1 LCD_B module on</p>

---

**Note:** Settings for LCDDIVx, LCDPREx, LCDSSSEL, and LCDMXx should be changed only while LCDON = 0.

---

**LCDBCTL1, LCD\_B Control Register 1**

15	14	13	12	11	10	9	8
Reserved				<b>LCDNOCAPIE</b>	<b>LCDBLKONIE</b>	<b>LCDBLKOFFIE</b>	<b>LCDFRMIE</b>
r0	r0	r0	r0	rw-0	rw-0	rw-0	rw-0
7	6	5	4	3	2	1	0
Reserved				<b>LCD NOCAPIFG</b>	<b>LCD BLKONIFG</b>	<b>LCD BLKOFFIFG</b>	<b>LCDFRMIFG</b>
r0	r0	r0	r0	rw-0	rw-0	rw-0	rw-0

<b>Reserved</b>	Bits 15-12	Reserved
<b>LCDNOCAPIE</b>	Bit 11	No capacitance connected interrupt enable 0 Interrupt disabled 1 Interrupt enabled
<b>LCDBLKONIE</b>	Bit 10	LCD blinking interrupt enable, segments switched on 0 Interrupt disabled 1 Interrupt enabled
<b>LCDBLKOFFIE</b>	Bit 9	LCD blinking interrupt enable, segments switched off 0 Interrupt disabled 1 Interrupt enabled
<b>LCDFRMIE</b>	Bit 8	LCD frame interrupt enable 0 Interrupt disabled 1 Interrupt enabled
<b>Reserved</b>	Bits 7-4	Reserved
<b>LCDNOCAPIFG</b>	Bit 3	No capacitance connected interrupt flag. Set when charge pump is enabled but no capacitance is connected to LCDCAP pin. 0 No interrupt pending 1 Interrupt pending
<b>LCDBLKONIFG</b>	Bit 2	LCD blinking interrupt flag, segments switched on. Automatically cleared when data is written into a memory register. 0 No interrupt pending 1 Interrupt pending
<b>LCDBLKOFFIFG</b>	Bit 1	LCD blinking interrupt flag, segments switched off. Automatically cleared when data is written into a memory register. 0 No interrupt pending 1 Interrupt pending
<b>LCDFRMIFG</b>	Bit 0	LCD frame interrupt flag. Automatically cleared when data is written into a memory register. 0 No interrupt pending 1 Interrupt pending

**LCDBLKCTL, LCD\_B Blink Control Register**

15	14	13	12	11	10	9	8
<b>Reserved</b>							
r0	r0	r0	r0	r0	r0	r0	r0
7	6	5	4	3	2	1	0
<b>LCDBLKDIVx</b>			<b>LCDBLKPREx</b>			<b>LCDBLKMODx</b>	
rw-0	rw-0	rw-0	rw-0	rw-0	rw-0	rw-0	rw-0

<b>Reserved</b>	Bits 15-8	Reserved
<b>LCDBLKDIVx</b>	Bits 7-5	<p>Clock divider for blinking frequency. Together with LCDBLKPREx, the blinking frequency <math>f_{\text{BLINK}}</math> is calculated as <math>f_{\text{BLINK}} = f_{\text{ACLK/VLO}} / ((\text{LCDBLKDIVx} + 1) \times 2^{9+\text{LCDBLKPREx}})</math>.</p> <p>000 Divide by 1</p> <p>001 Divide by 2</p> <p>010 Divide by 3</p> <p>011 Divide by 4</p> <p>100 Divide by 5</p> <p>101 Divide by 6</p> <p>110 Divide by 7</p> <p>111 Divide by 8</p>
<b>LCDBLKPREx</b>	Bits 4-2	<p>Clock pre-scaler for blinking frequency. Together with LCDBLKDIVx, the blinking frequency <math>f_{\text{BLINK}}</math> is calculated as <math>f_{\text{BLINK}} = f_{\text{ACLK/VLO}} / ((\text{LCDBLKDIVx} + 1) \times 2^{9+\text{LCDBLKPREx}})</math>.</p> <p>0000 Divide by 512</p> <p>0001 Divide by 1024</p> <p>0010 Divide by 2048</p> <p>0011 Divide by 4096</p> <p>0100 Divide by 8162</p> <p>0101 Divide by 16384</p> <p>0110 Divide by 32768</p> <p>0111 Divide by 65536</p>
<b>LCDBLKMODx</b>	Bits 1-0	<p>Blinking mode</p> <p>00 Blinking disabled</p> <p>01 Blinking of individual segments as enabled in blinking memory register LCDBMx</p> <p>10 Blinking of all segments</p> <p>11 Switching between display contents as stored in LCDMx and LCDBMx memory registers.</p>

---

**Note:** Settings for LCDBLKDIVx and LCDBLKPREx should only be changed while LCDBLKMODx = 00.

---

**LCDBMEMCTL, LCD\_B Memory Control Register**

15	14	13	12	11	10	9	8
<b>Reserved</b>							
r0	r0	r0	r0	r0	r0	r0	r0
7	6	5	4	3	2	1	0
<b>Reserved</b>				<b>LCDCLRBM</b>		<b>LCDCLRM</b>	<b>LCDDISP</b>
r0	r0	r0	r0	r0	rw-0	rw-0	rw-0

<b>Reserved</b>	Bits 15-3	Reserved
<b>LCDCLRBM</b>	Bit 2	<p>Clear LCD blinking memory Clears all blinking memory registers LCDBMx. The bit is automatically reset when the blinking memory is cleared.</p> <p>0 Contents of blinking memory registers LCDBMx remain unchanged 1 Clear content of all blinking memory registers LCDBMx</p>
<b>LCDCLRM</b>	Bit 1	<p>Clear LCD memory Clears all LCD memory registers LCDMx. The bit is automatically reset when the LCD memory is cleared.</p> <p>0 Contents of LCD memory registers LCDMx remain unchanged 1 Clear content of all LCD memory registers LCDMx</p>
<b>LCDDISP</b>	Bit 0	<p>Select LCD memory registers for display The bit is cleared in LCDBLKMODx = 01 and LCDBLKMODx = 10 and cannot be changed by software. When LCDBLKMODx = 11, this bit reflects the currently displayed memory but cannot be changed by software. When returning to LCDBLKMODx = 00 the bit is cleared.</p> <p>0 Display content of LCD memory registers LCDMx 1 Display content of LCD blinking memory registers LCDBMx</p>

**LCDBVCTL, LCD\_B Voltage Control Register**

15	14	13	12	11	10	9	8
Reserved			VLC Dx				Reserved
r0	r0	r0	rw-0	rw-0	rw-0	rw-0	r0
7	6	5	4	3	2	1	0
LCDREXT	R03EXT	LCDEXTBIAS	VLC DEXT	LCDCPEN	VLC DREFx		LCD2B
rw-0	rw-0	rw-0	rw-0	rw-0	rw-0	rw-0	rw-0

**Reserved**

Bits 15-13

Reserved

**VLC Dx**

Bits 12-9

Charge pump voltage select. LCDCPEN must be 1 for the charge pump to be enabled.  $V_{CC}$  is used for  $V_{LCD}$  when  $VLC Dx = 0000$  and  $VLC DREFx = 00$  and  $VLC DEXT = 0$ .

VLC Dx	VLC DREFx = 00 or 10	VLC DREFx = 01 or 11
0000	Charge pump disabled	Charge pump disabled
0001	$V_{LCD} = 2.60\text{ V}$	$V_{LCD} = 2.17 \times V_{REF}$
0010	$V_{LCD} = 2.66\text{ V}$	$V_{LCD} = 2.22 \times V_{REF}$
0011	$V_{LCD} = 2.72\text{ V}$	$V_{LCD} = 2.27 \times V_{REF}$
0100	$V_{LCD} = 2.78\text{ V}$	$V_{LCD} = 2.32 \times V_{REF}$
0101	$V_{LCD} = 2.84\text{ V}$	$V_{LCD} = 2.37 \times V_{REF}$
0110	$V_{LCD} = 2.90\text{ V}$	$V_{LCD} = 2.42 \times V_{REF}$
0111	$V_{LCD} = 2.96\text{ V}$	$V_{LCD} = 2.47 \times V_{REF}$
1000	$V_{LCD} = 3.02\text{ V}$	$V_{LCD} = 2.52 \times V_{REF}$
1001	$V_{LCD} = 3.08\text{ V}$	$V_{LCD} = 2.57 \times V_{REF}$
1010	$V_{LCD} = 3.14\text{ V}$	$V_{LCD} = 2.62 \times V_{REF}$
1011	$V_{LCD} = 3.20\text{ V}$	$V_{LCD} = 2.67 \times V_{REF}$
1100	$V_{LCD} = 3.26\text{ V}$	$V_{LCD} = 2.72 \times V_{REF}$
1101	$V_{LCD} = 3.32\text{ V}$	$V_{LCD} = 2.77 \times V_{REF}$
1110	$V_{LCD} = 3.38\text{ V}$	$V_{LCD} = 2.82 \times V_{REF}$
1111	$V_{LCD} = 3.44\text{ V}$	$V_{LCD} = 2.87 \times V_{REF}$

**Reserved**

Bit 8

Reserved

**LCDREXT**

Bit 7

V2 to V4 voltage on external Rx3 pins. This bit selects the external connections for voltages V2 to V4 with internal bias generation ( $LCDEXTBIAS = 0$ ). The bit is don't care if external biasing is selected ( $LCDEXTBIAS = 1$ ).

0 Internally generated V2 to V4 are not switched to pins ( $LCDEXTBIAS = 0$ ).

1 Internally generated V2 to V4 are switched to pins ( $LCDEXTBIAS = 0$ ).

**R03EXT**

Bit 6

V5 voltage select. This bit selects the external connection for the lowest LCD voltage. R03EXT is ignored if there is no R03 pin available.

0 V5 is  $V_{SS}$

1 V5 is sourced from the R03 pin

**LCDEXTBIAS**

Bit 5

V2 to V4 voltage select. This bit selects the generation for voltages V2 to V4.

0 V2 to V4 are generated internally.

1 V2 to V4 are sourced externally and the internal bias generator is switched off.

**VLC DEXT**

Bit 4

$V_{LCD}$  source select

0  $V_{LCD}$  is generated internally.

1  $V_{LCD}$  is sourced externally.

**LCDCPEN**

Bit 3

Charge pump enable

0 Charge pump disabled

1 Charge pump enabled when  $V_{LCD}$  is generated internally ( $VLC DEXT = 0$ ) and  $VLC Dx > 0$  or  $VLC DREFx > 0$ .

<b>VLCDREFx</b>	Bits 2-1	Charge pump reference select If LCDEXTBIAS = 1 or LCDREXT = 1 settings 01, 10 and 11 are not supported. Internal reference voltage used instead. 00 Internal reference voltage 01 External reference voltage 10 Internal reference voltage switched to external pin LCDREF/R13. 11 Reserved. Defaults to external reference voltage.
<b>LCD2B</b>	Bit 0	Bias select. LCD2B is ignored when LCDMx = 00. 0 1/3 bias 1 1/2 bias

**Note:** Settings for LCDREXT, R03EXT, LCDEXTBIAS, VLCDEXT, VLCDFREFx, and LCD2B should only be changed while LCDON = 0.

### LCDBPCTL0, LCD\_B Port Control Register 0

15	14	13	12	11	10	9	8
<b>LCDS15</b>	<b>LCDS14</b>	<b>LCDS13</b>	<b>LCDS12</b>	<b>LCDS11</b>	<b>LCDS10</b>	<b>LCDS9</b>	<b>LCDS8</b>
rw-0	rw-0	rw-0	rw-0	rw-0	rw-0	rw-0	rw-0
7	6	5	4	3	2	1	0
<b>LCDS7</b>	<b>LCDS6</b>	<b>LCDS5</b>	<b>LCDS4</b>	<b>LCDS3</b>	<b>LCDS2</b>	<b>LCDS1</b>	<b>LCDS0</b>
rw-0	rw-0	rw-0	rw-0	rw-0	rw-0	rw-0	rw-0

<b>LCDSx</b>	Bits 15-0	LCD segment line x enable This bit affects only pins with multiplexed functions. Dedicated LCD pins are always LCD function. 0 Multiplexed pins are port functions. 1 Pins are LCD functions.
--------------	-----------	--

### LCDBPCTL1, LCD\_B Port Control Register 1

15	14	13	12	11	10	9	8
<b>LCDS31</b>	<b>LCDS30</b>	<b>LCDS29</b>	<b>LCDS28</b>	<b>LCDS27</b>	<b>LCDS26</b>	<b>LCDS25</b>	<b>LCDS24</b>
rw-0	rw-0	rw-0	rw-0	rw-0	rw-0	rw-0	rw-0
7	6	5	4	3	2	1	0
<b>LCDS23</b>	<b>LCDS22</b>	<b>LCDS21</b>	<b>LCDS20</b>	<b>LCDS19</b>	<b>LCDS18</b>	<b>LCDS17</b>	<b>LCDS16</b>
rw-0	rw-0	rw-0	rw-0	rw-0	rw-0	rw-0	rw-0

<b>LCDSx</b>	Bits 15-0	LCD segment line x enable LCDS27 to LCDS31 are reserved on devices supporting a maximum of 96 segments. This bit affects only pins with multiplexed functions. Dedicated LCD pins are always LCD function. 0 Multiplexed pins are port functions. 1 Pins are LCD functions.
--------------	-----------	---

**LCDBPCTL2, LCD\_B Port Control Register 2 ( $\geq 128$  Segments)**

15	14	13	12	11	10	9	8
<b>LCDS47</b>	<b>LCDS46</b>	<b>LCDS45</b>	<b>LCDS44</b>	<b>LCDS43</b>	<b>LCDS42</b>	<b>LCDS41</b>	<b>LCDS40</b>
rw-0	rw-0	rw-0	rw-0	rw-0	rw-0	rw-0	rw-0
7	6	5	4	3	2	1	0
<b>LCDS39</b>	<b>LCDS38</b>	<b>LCDS37</b>	<b>LCDS36</b>	<b>LCDS35</b>	<b>LCDS34</b>	<b>LCDS33</b>	<b>LCDS32</b>
rw-0	rw-0	rw-0	rw-0	rw-0	rw-0	rw-0	rw-0

**LCDSx**            Bits 15-0    LCD segment line x enable  
 LCDS35 to LCDS47 are reserved on devices supporting a maximum of 128 segments.  
 LCDS43 to LCDS47 are reserved on devices supporting a maximum of 160 segments.  
 This bit affects only pins with multiplexed functions. Dedicated LCD pins are always LCD function.

0    Multiplexed pins are port functions.  
 1    Pins are LCD functions.

**LCDBPCTL3, LCD\_B Port Control Register 2 (192 Segments)**

15	14	13	12	11	10	9	8
<b>Reserved</b>							
r0	r0	r0	r0	r0	r0	r0	r0
7	6	5	4	3	2	1	0
<b>Reserved</b>					<b>LCDS50</b>	<b>LCDS49</b>	<b>LCDS48</b>
r0	r0	r0	r0	r0	rw-0	rw-0	rw-0

**Reserved**            Bits 15-3    Reserved

**LCDSx**            Bits 2-0    LCD segment line x enable  
 This bit affects only pins with multiplexed functions. Dedicated LCD pins are always LCD function.

0    Multiplexed pins are port functions.  
 1    Pins are LCD functions.

---

**Note:** Settings for LCDSx should only be changed while LCDON = 0.

---



**LCDCBPCTL, LCD\_B Charge Pump Control Register**

15	14	13	12	11	10	9	8
<b>LCDCP CLKSYNC</b>	<b>Reserved</b>						
rw-0	r0	r0	r0	r0	r0	r0	r0
7	6	5	4	3	2	1	0
<b>LCDCPDISx</b>							
rw-0	rw-0	rw-0	rw-0	rw-0	rw-0	rw-0	rw-0

<b>LCDCPCLKSYNC</b>	Bit 15	LCD charge pump clock synchronization The charge pump clock is synchronized to RFCLK (in CC430) when the RF crystal oscillator is enabled and does not indicate a fault via its fault signal (not the fault flag). 0 Synchronization disabled 1 Synchronization enabled
<b>Reserved</b>	Bits 14-8	Reserved
<b>LCDCPDISx</b>	Bits 7-0	LCD charge pump disable (device specific) 0 Connected function cannot disable charge pump. 1 Connected function can disable charge pump.

**CC430F62x1 Assignment**

<b>LCDCPDISx</b>	Bits 7-3	Reserved
<b>LCDCPDIS2</b>	Bit 2	LCD charge pump disable during ADC12 conversion 0 LCD charge pump not automatically disabled during conversion. 1 LCD charge pump automatically disabled during conversion.
<b>LCDCPDIS1</b>	Bit 1	LCD charge pump disable during radio transmit 0 LCD charge pump not automatically disabled during radio transmit. 1 LCD charge pump automatically disabled during radio transmit.
<b>LCDCPDIS0</b>	Bit 0	LCD charge pump disable during radio receive 0 LCD charge pump not automatically disabled during radio receive. 1 LCD charge pump automatically disabled during radio receive.

**LCDBIV, LCDB Interrupt Vector Register**

15	14	13	12	11	10	9	8
0	0	0	0	0	0	0	0
r0	r0	r0	r0	r0	r0	r0	r0
7	6	5	4	3	2	1	0
0	0	0	0	<b>LCDBIVx</b>			0
r0	r0	r0	r0	r0	r0	r0	r0

<b>LCDBIVx</b>	Bits 15-0	LCDB interrupt vector value
----------------	-----------	-----------------------------

LCDBIV Contents	Interrupt Source	Interrupt Flag	Interrupt Priority
00h	No interrupt pending	–	
02h	No capacitor connected	LCDNOCAPIFG	Highest
04h	Blink, segments on	LCDBLKONIFG	
06h	Blink, segments off	LCDBLKOFFIFG	
08h	Frame interrupt	LCDFRMIFG	Lowest



## ***Embedded Emulation Module (EEM)***

---

---

---

This chapter describes the embedded emulation module (EEM) that is implemented in all flash devices.

<b>Topic</b>	<b>Page</b>
<b>24.1 Embedded Emulation Module (EEM) Introduction.....</b>	<b>636</b>
<b>24.2 EEM Building Blocks .....</b>	<b>638</b>
<b>24.3 EEM Configurations.....</b>	<b>640</b>

## 24.1 Embedded Emulation Module (EEM) Introduction

Every MSP430 flash-based microcontroller implements an EEM. It is accessed and controlled through either 4-wire JTAG mode or Spy-Bi-Wire mode. Each implementation is device dependent and is described in [Section 24.3](#), the EEM Configurations section, and the device-specific data sheet.

In general, the following features are available:

- Nonintrusive code execution with real-time breakpoint control
- Single-step, step-into, and step-over functionality
- Full support of all low-power modes
- Support for all system frequencies, for all clock sources
- Up to eight (device-dependent) hardware triggers/breakpoints on memory address bus (MAB) or memory data bus (MDB)
- Up to two (device-dependent) hardware triggers/breakpoints on CPU register write accesses
- MAB, MDB, and CPU register access triggers can be combined to form up to ten (device dependent) complex triggers/breakpoints
- Up to two (device dependent) cycle counters
- Trigger sequencing (device dependent)
- Storage of internal bus and control signals using an integrated trace buffer (device dependent)
- Clock control for timers, communication peripherals, and other modules on a global device level or on a per-module basis during an emulation stop

[Figure 24-1](#) shows a simplified block diagram of the largest currently-available 5xx EEM implementation.

For more details on how the features of the EEM can be used together with the IAR Embedded Workbench™ debugger, see the application report *Advanced Debugging Using the Enhanced Emulation Module* ([SLAA263](#)) at [www.msp430.com](http://www.msp430.com). For usage with Code Composer Essentials (CCE), see the application report *Advanced Debugging Using the Enhanced Emulation Module* ([SLAA393](#)) at [www.msp430.com](http://www.msp430.com). Most other debuggers supporting the MSP430 have the same or a similar feature set. For details, see the user's guide of the applicable debugger.

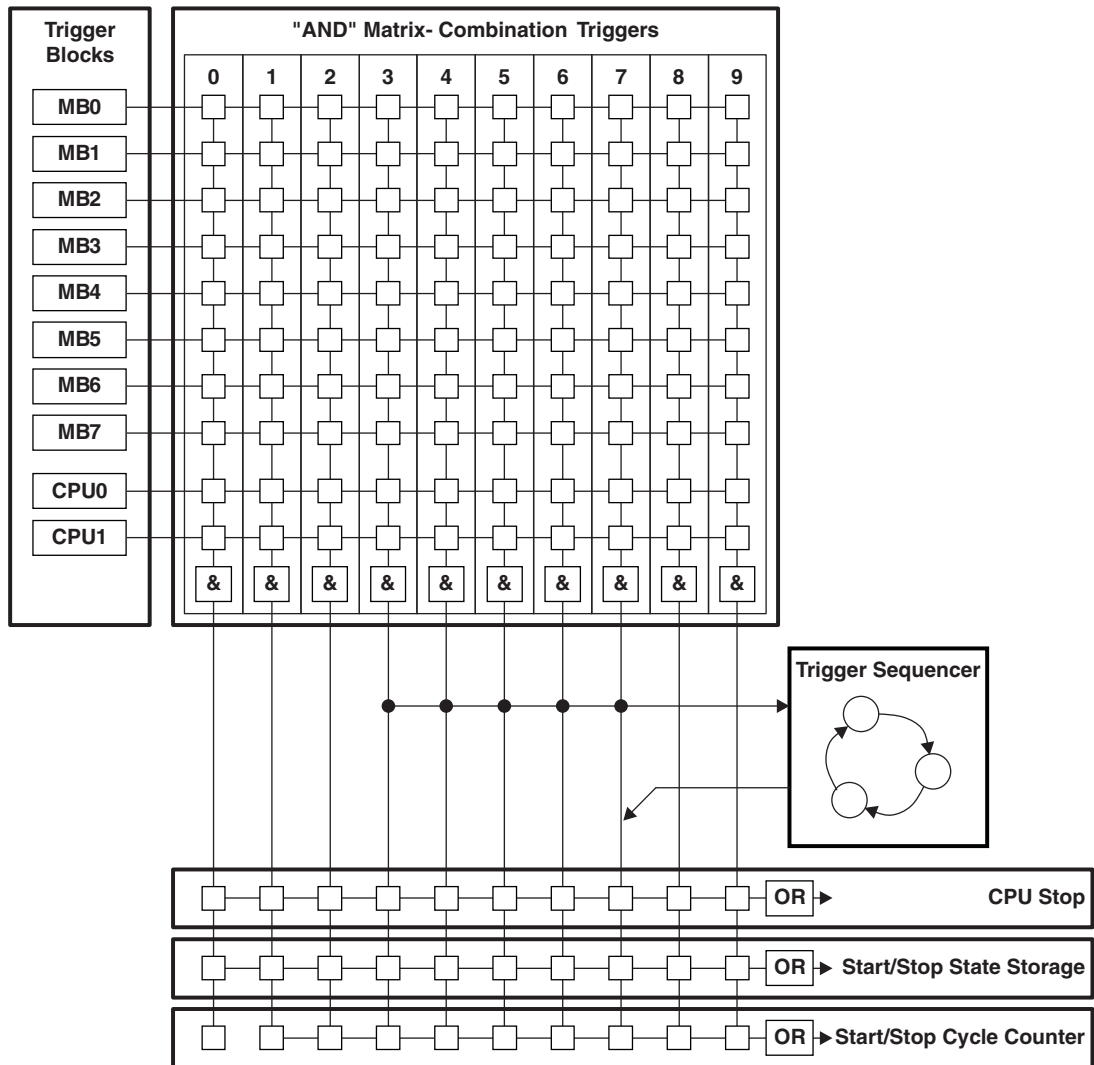


Figure 24-1. Large Implementation of EEM

## 24.2 EEM Building Blocks

### 24.2.1 Triggers

The event control in the EEM of the MSP430 system consists of triggers, which are internal signals indicating that a certain event has happened. These triggers may be used as simple breakpoints, but it is also possible to combine two or more triggers to allow detection of complex events and cause various reactions other than stopping the CPU.

In general, the triggers can be used to control the following functional blocks of the EEM:

- Breakpoints (CPU stop)
- State storage
- Sequencer
- Cycle counter

There are two different types of triggers – the memory trigger and the CPU register write trigger.

Each memory trigger block can be independently selected to compare either the MAB or the MDB with a given value. Depending on the implemented EEM, the comparison can be =, ≠, ≥, or ≤. The comparison can also be limited to certain bits with the use of a mask. The mask is either bit-wise or byte-wise, depending upon the device. In addition to selecting the bus and the comparison, the condition under which the trigger is active can be selected. The conditions include read access, write access, DMA access, and instruction fetch.

Each CPU register write trigger block can be independently selected to compare what is written into a selected register with a given value. The observed register can be selected for each trigger independently. The comparison can be =, ≠, ≥, or ≤. The comparison can also be limited to certain bits with the use of a bit mask.

Both types of triggers can be combined to form more complex triggers. For example, a complex trigger can signal when a particular value is written into a user-specified address.

### 24.2.2 Trigger Sequencer

The trigger sequencer allows the definition of a certain sequence of trigger signals before an event is accepted for a break or state storage event. Within the trigger sequencer, it is possible to use the following features:

- Four states (State 0 to State 3)
- Two transitions per state to any other state
- Reset trigger that resets the sequencer to State 0.

The trigger sequencer always starts at State 0 and must execute to State 3 to generate an action. If State 1 or State 2 are not required, they can be bypassed.

### 24.2.3 State Storage (Internal Trace Buffer)

The state storage function uses a built-in buffer to store MAB, MDB, and CPU control signal information (i.e., read, write, or instruction fetch) in a nonintrusive manner. The built-in buffer can hold up to eight entries. The flexible configuration allows the user to record the information of interest very efficiently.

### 24.2.4 Cycle Counter

The cycle counter provides one or two 40-bit counters to measure the cycles used by the CPU to execute certain tasks. On some devices, the cycle counter operation can be controlled using triggers. This allows, for example, conditional profiling, such as profiling a specific section of code.

### **24.2.5 Clock Control**

The EEM provides device-dependent flexible clock control. This is useful in applications where a running clock is needed for peripherals after the CPU is stopped (e.g., to allow a UART module to complete its transfer of a character or to allow a timer to continue generating a PWM signal).

The clock control is flexible and supports both modules that need a running clock and modules that must be stopped when the CPU is stopped due to a breakpoint.

## 24.3 EEM Configurations

[Table 24-1](#) gives an overview of the EEM configurations in the MSP430 5xx family. The implemented configuration is device dependent, and device-specific details can be found in the application report *Advanced Debugging Using the Enhanced Emulation Module (EEM) With CCE Version 3* ([SLAA393](#)), *MSP-FET430 Flash Emulation Tool (FET) (for Use With IAR v3+) User's Guide* ([SLAU138](#)), and *MSP-FET430 Flash Emulation Tool (FET) (for Use With CCE v3.1) User's Guide* ([SLAU157](#)).

**Table 24-1. 5xx EEM Configurations**

Feature	XS	S	M	L
Memory bus triggers	2 (=, ≠ only)	3	5	8
Memory bus trigger mask for	1) Low byte 2) High byte 3) Four upper addr bits	1) Low byte 2) High byte 3) Four upper addr bits	1) Low byte 2) High byte 3) Four upper addr bits	All 16 or 20 bits
CPU register write triggers	0	1	1	2
Combination triggers	2	4	6	10
Sequencer	No	No	Yes	Yes
State storage	No	No	No	Yes
Cycle counter	1	1	1	2 (including triggered start/stop)

In general, the following features can be found on any device:

- At least two MAB/MDB triggers supporting:
  - Distinction between CPU, DMA, read, and write accesses
  - =, ≠, ≥, or ≤ comparison (in XS, only =, ≠)
- At least two trigger combination registers
- Hardware breakpoints using the CPU stop reaction
- At least one 40-bit cycle counter
- Enhanced clock control with individual control of module clocks



## IMPORTANT NOTICE

Texas Instruments Incorporated and its subsidiaries (TI) reserve the right to make corrections, modifications, enhancements, improvements, and other changes to its products and services at any time and to discontinue any product or service without notice. Customers should obtain the latest relevant information before placing orders and should verify that such information is current and complete. All products are sold subject to TI's terms and conditions of sale supplied at the time of order acknowledgment.

TI warrants performance of its hardware products to the specifications applicable at the time of sale in accordance with TI's standard warranty. Testing and other quality control techniques are used to the extent TI deems necessary to support this warranty. Except where mandated by government requirements, testing of all parameters of each product is not necessarily performed.

TI assumes no liability for applications assistance or customer product design. Customers are responsible for their products and applications using TI components. To minimize the risks associated with customer products and applications, customers should provide adequate design and operating safeguards.

TI does not warrant or represent that any license, either express or implied, is granted under any TI patent right, copyright, mask work right, or other TI intellectual property right relating to any combination, machine, or process in which TI products or services are used. Information published by TI regarding third-party products or services does not constitute a license from TI to use such products or services or a warranty or endorsement thereof. Use of such information may require a license from a third party under the patents or other intellectual property of the third party, or a license from TI under the patents or other intellectual property of TI.

Reproduction of TI information in TI data books or data sheets is permissible only if reproduction is without alteration and is accompanied by all associated warranties, conditions, limitations, and notices. Reproduction of this information with alteration is an unfair and deceptive business practice. TI is not responsible or liable for such altered documentation. Information of third parties may be subject to additional restrictions.

Resale of TI products or services with statements different from or beyond the parameters stated by TI for that product or service voids all express and any implied warranties for the associated TI product or service and is an unfair and deceptive business practice. TI is not responsible or liable for any such statements.

TI products are not authorized for use in safety-critical applications (such as life support) where a failure of the TI product would reasonably be expected to cause severe personal injury or death, unless officers of the parties have executed an agreement specifically governing such use. Buyers represent that they have all necessary expertise in the safety and regulatory ramifications of their applications, and acknowledge and agree that they are solely responsible for all legal, regulatory and safety-related requirements concerning their products and any use of TI products in such safety-critical applications, notwithstanding any applications-related information or support that may be provided by TI. Further, Buyers must fully indemnify TI and its representatives against any damages arising out of the use of TI products in such safety-critical applications.

TI products are neither designed nor intended for use in military/aerospace applications or environments unless the TI products are specifically designated by TI as military-grade or "enhanced plastic." Only products designated by TI as military-grade meet military specifications. Buyers acknowledge and agree that any such use of TI products which TI has not designated as military-grade is solely at the Buyer's risk, and that they are solely responsible for compliance with all legal and regulatory requirements in connection with such use.

TI products are neither designed nor intended for use in automotive applications or environments unless the specific TI products are designated by TI as compliant with ISO/TS 16949 requirements. Buyers acknowledge and agree that, if they use any non-designated products in automotive applications, TI will not be responsible for any failure to meet such requirements.

Following are URLs where you can obtain information on other Texas Instruments products and application solutions:

### Products

Amplifiers	<a href="http://amplifier.ti.com">amplifier.ti.com</a>
Data Converters	<a href="http://dataconverter.ti.com">dataconverter.ti.com</a>
DLP® Products	<a href="http://www.dlp.com">www.dlp.com</a>
DSP	<a href="http://dsp.ti.com">dsp.ti.com</a>
Clocks and Timers	<a href="http://www.ti.com/clocks">www.ti.com/clocks</a>
Interface	<a href="http://interface.ti.com">interface.ti.com</a>
Logic	<a href="http://logic.ti.com">logic.ti.com</a>
Power Mgmt	<a href="http://power.ti.com">power.ti.com</a>
Microcontrollers	<a href="http://microcontroller.ti.com">microcontroller.ti.com</a>
RFID	<a href="http://www.ti-rfid.com">www.ti-rfid.com</a>
RF/IF and ZigBee® Solutions	<a href="http://www.ti.com/lprf">www.ti.com/lprf</a>

### Applications

Audio	<a href="http://www.ti.com/audio">www.ti.com/audio</a>
Automotive	<a href="http://www.ti.com/automotive">www.ti.com/automotive</a>
Broadband	<a href="http://www.ti.com/broadband">www.ti.com/broadband</a>
Digital Control	<a href="http://www.ti.com/digitalcontrol">www.ti.com/digitalcontrol</a>
Medical	<a href="http://www.ti.com/medical">www.ti.com/medical</a>
Military	<a href="http://www.ti.com/military">www.ti.com/military</a>
Optical Networking	<a href="http://www.ti.com/opticalnetwork">www.ti.com/opticalnetwork</a>
Security	<a href="http://www.ti.com/security">www.ti.com/security</a>
Telephony	<a href="http://www.ti.com/telephony">www.ti.com/telephony</a>
Video & Imaging	<a href="http://www.ti.com/video">www.ti.com/video</a>
Wireless	<a href="http://www.ti.com/wireless">www.ti.com/wireless</a>

Mailing Address: Texas Instruments, Post Office Box 655303, Dallas, Texas 75265  
Copyright © 2009, Texas Instruments Incorporated